



US00D382978S

United States Patent [19] Gearing

[11] Patent Number: **Des. 382,978**
[45] Date of Patent: ****Aug. 26, 1997**

[54] **PICTURE FRAME MEMBER**
[75] Inventor: **Robert Edwin Gearing**, Cape Town,
South Africa
[73] Assignee: **Rob Gearing & Associates**
(Proprietary) Ltd., Cape Town, South
Africa
[**] Term: **14 Years**
[21] Appl. No.: **56,932**
[22] Filed: **Jul. 11, 1996**

D. 320,090 9/1991 Ermellini D25/136
D. 344,807 3/1994 Abbaticchio D25/38
D. 348,335 6/1994 Moreau D25/38
2,941,324 6/1960 Waxgiser 40/156
2,979,842 4/1961 DeRidder 40/156
3,386,198 6/1968 Howell 40/156
3,885,335 5/1975 Egermayer 40/125
3,899,844 8/1975 Munn 40/156
4,237,632 12/1980 Segerstad 40/156
4,356,648 11/1982 Beaulieu 40/155
4,498,755 2/1985 Heard 40/156
4,516,342 5/1985 Reim 40/156
4,974,301 12/1990 Ghistanzoni 40/152
5,199,201 4/1993 Vilims 40/156
5,307,575 5/1994 Ivansson 40/156

Related U.S. Application Data

[62] Division of Ser. No. 34,812, Feb. 13, 1995.

[30] Foreign Application Priority Data

Aug. 12, 1994 [ZA] South Africa 94/0577
Aug. 12, 1994 [ZA] South Africa 94/0578
Aug. 12, 1994 [ZA] South Africa 94/0579

[51] **LOC (6) Cl.** **25-01**
[52] **U.S. Cl.** **D25/119; D6/300**
[58] **Field of Search** **D25/38, 60-61,**
D25/119-121; D6/300-302; 40/790-792,
796; 52/733.2, 733.3

[56] References Cited

U.S. PATENT DOCUMENTS

D. 47,725 8/1915 Heulings D25/121
D. 51,509 11/1917 Plym D25/119
D. 98,067 1/1936 Hendrickson D25/60
D. 158,461 5/1950 Hammerly D25/119
D. 172,223 5/1954 Cowdroy D25/60
D. 189,447 12/1960 Attwood D25/121
D. 211,521 6/1968 Rimington D25/119
D. 213,436 3/1969 Geltner D25/119
D. 251,019 2/1979 Brady D25/119
D. 288,966 3/1987 Gordon D25/119
D. 306,078 2/1990 Whitney D25/119

OTHER PUBLICATIONS

"Design News", p. 13 advertisement, extrusion at lower right Jan. 1958.

Primary Examiner—Doris V. Coles
Assistant Examiner—Gregory Andoll
Attorney, Agent, or Firm—Ladas & Parry

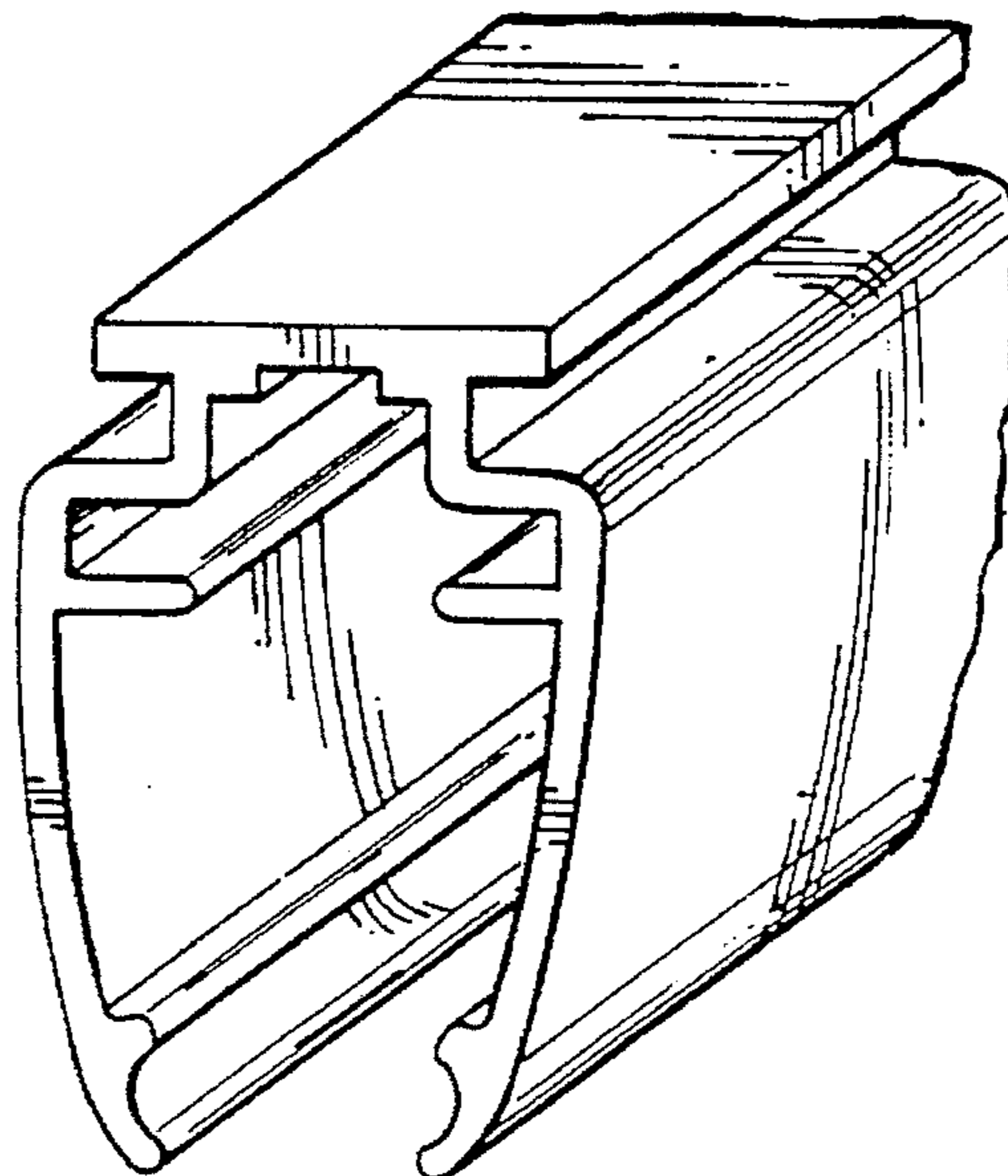
[57] CLAIM

The ornamental design for a picture frame member, as shown and described.

DESCRIPTION

FIG. 1 shows a three-dimensional view of a picture frame member;
FIG. 2 shows an end view of the picture frame member of FIG. 1;
FIG. 3 is a left side view of the picture frame member of FIGS. 1 and 2, the right side view being a mirror image thereof;
FIG. 4 is a top view of the picture frame member of FIGS. 1 and 2; and,
FIG. 5 is a bottom view of the picture frame member of FIGS. 1 and 2.
The picture frame member shown is of indeterminate length.

1 Claim, 2 Drawing Sheets



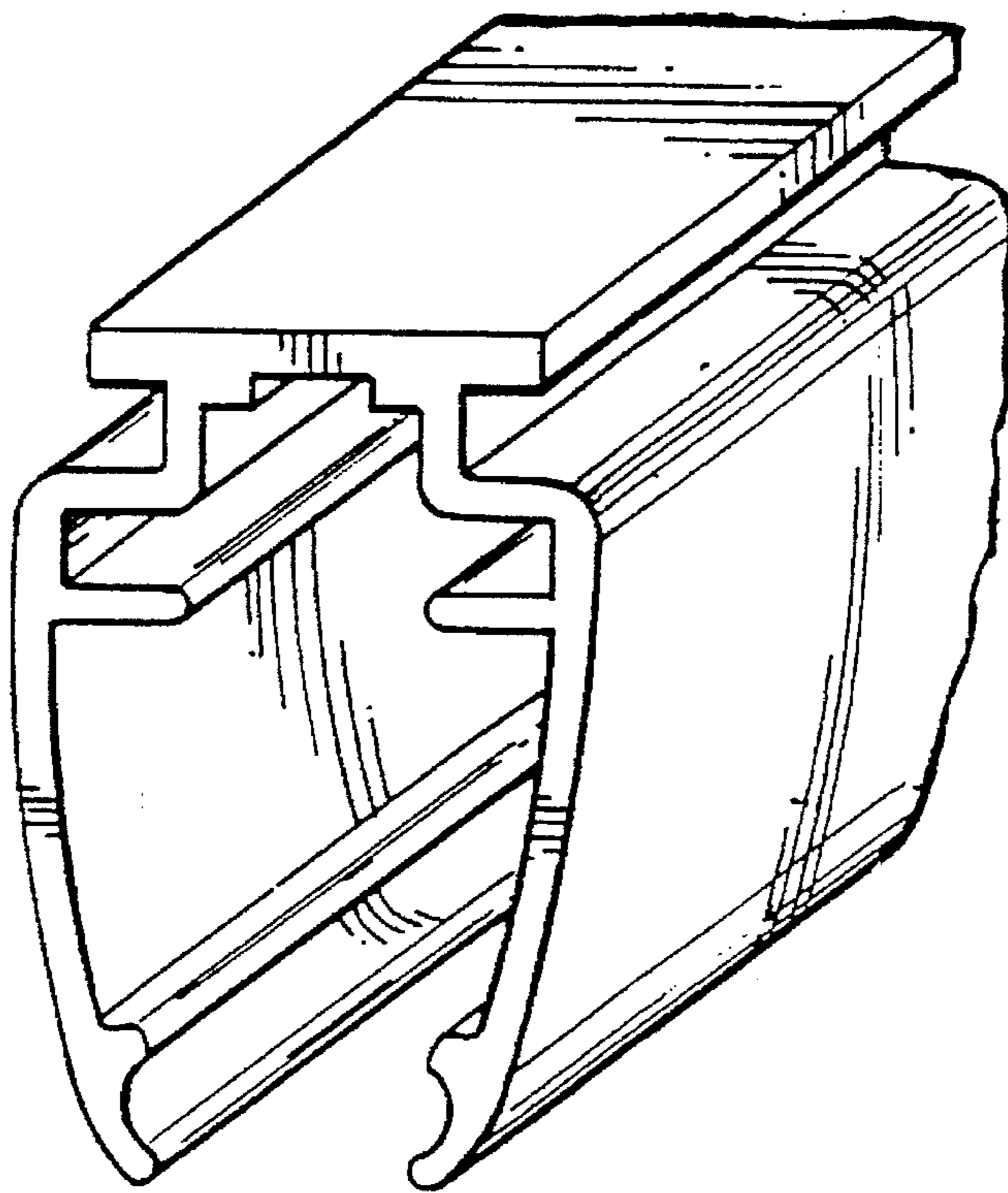


FIG 1

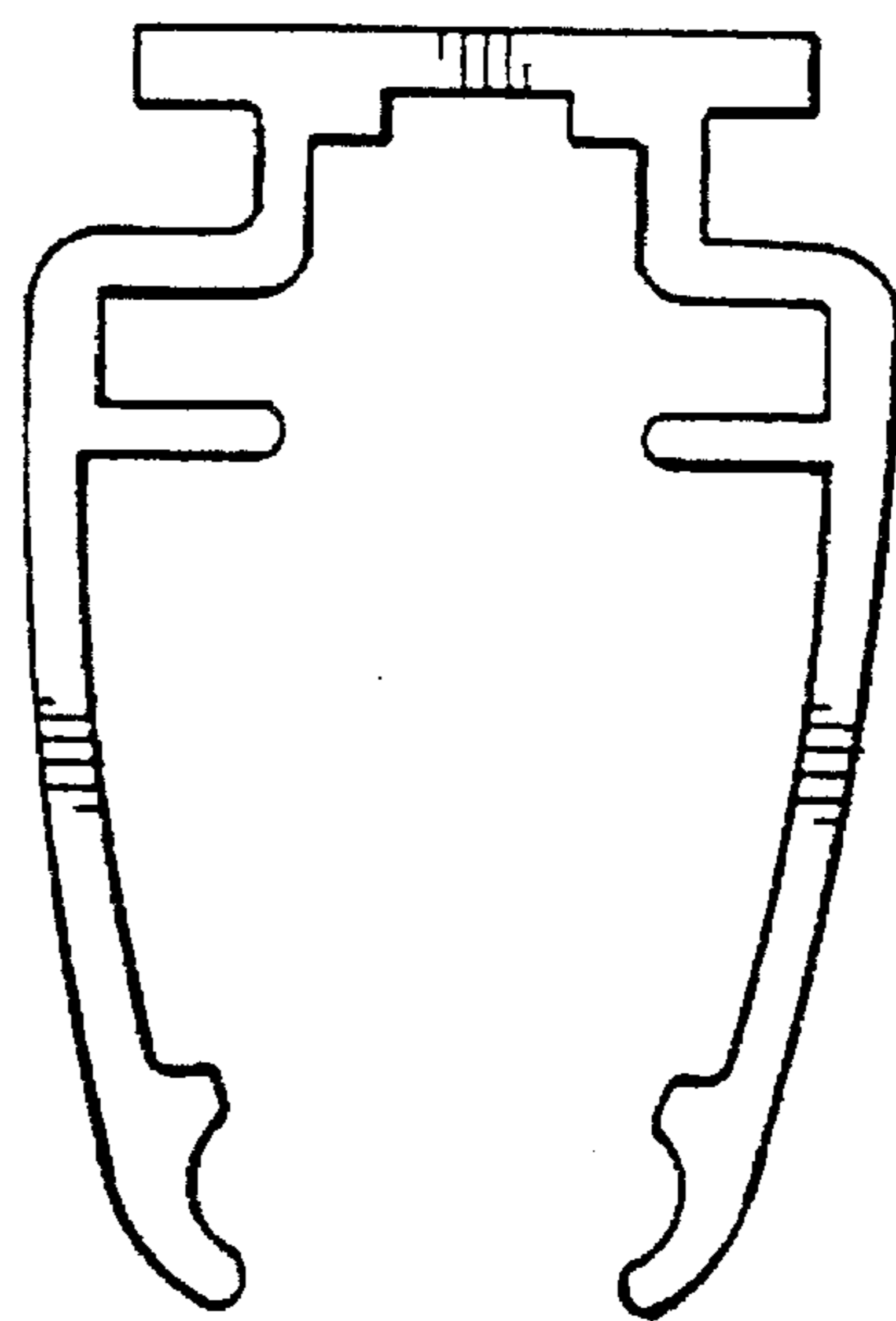


FIG 2

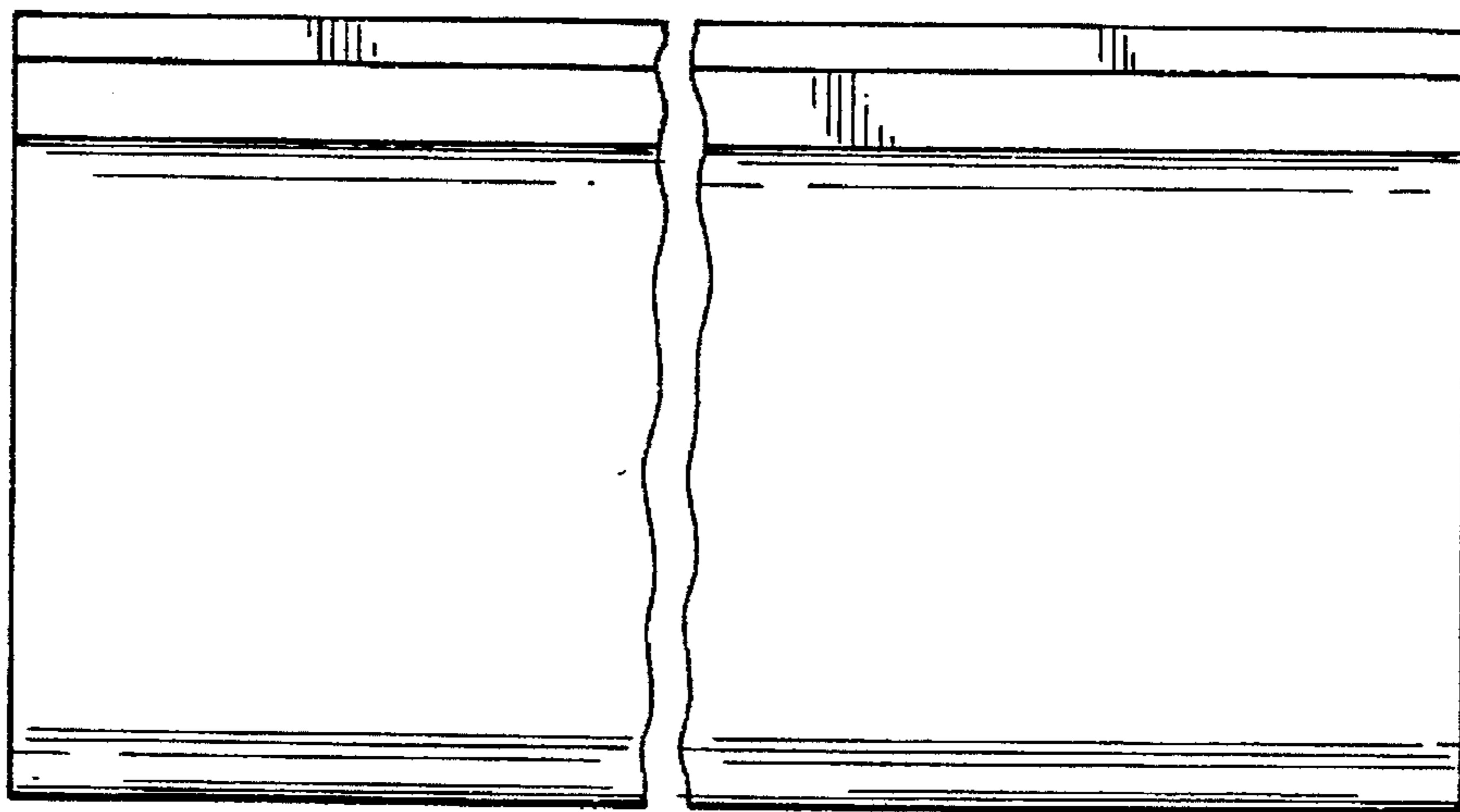


FIG 3

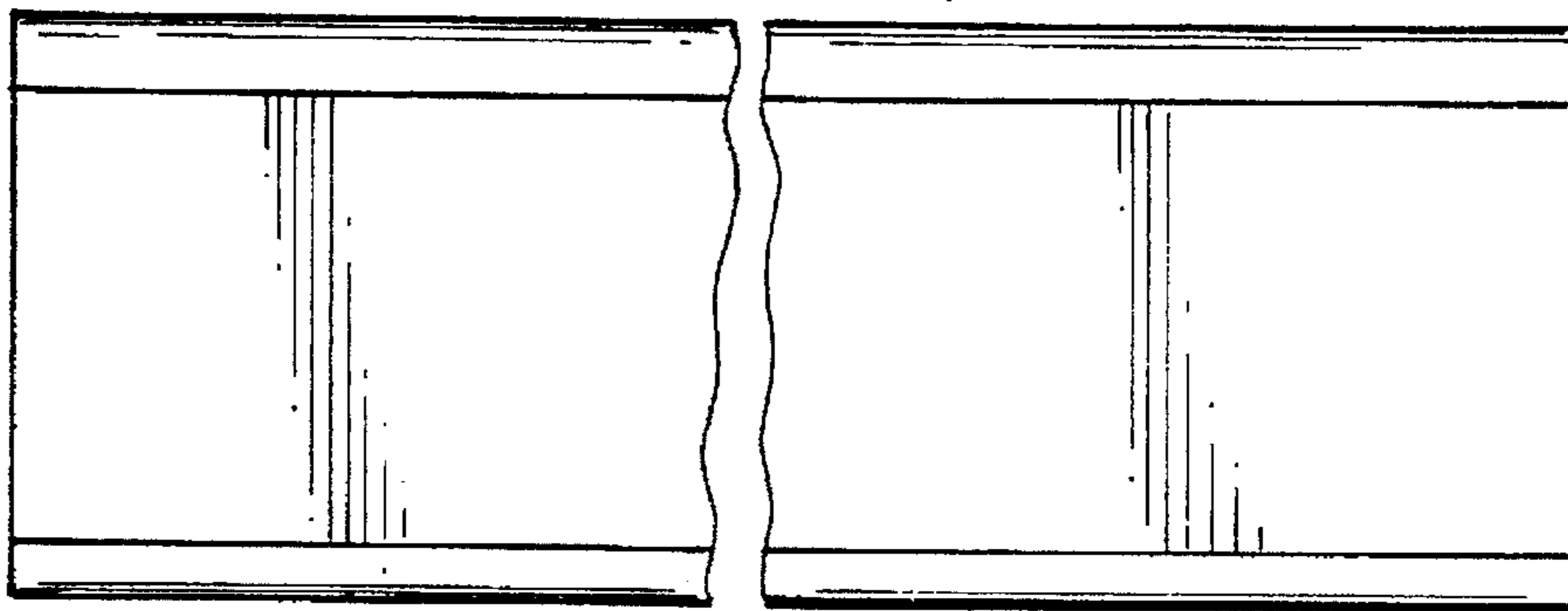


FIG 4

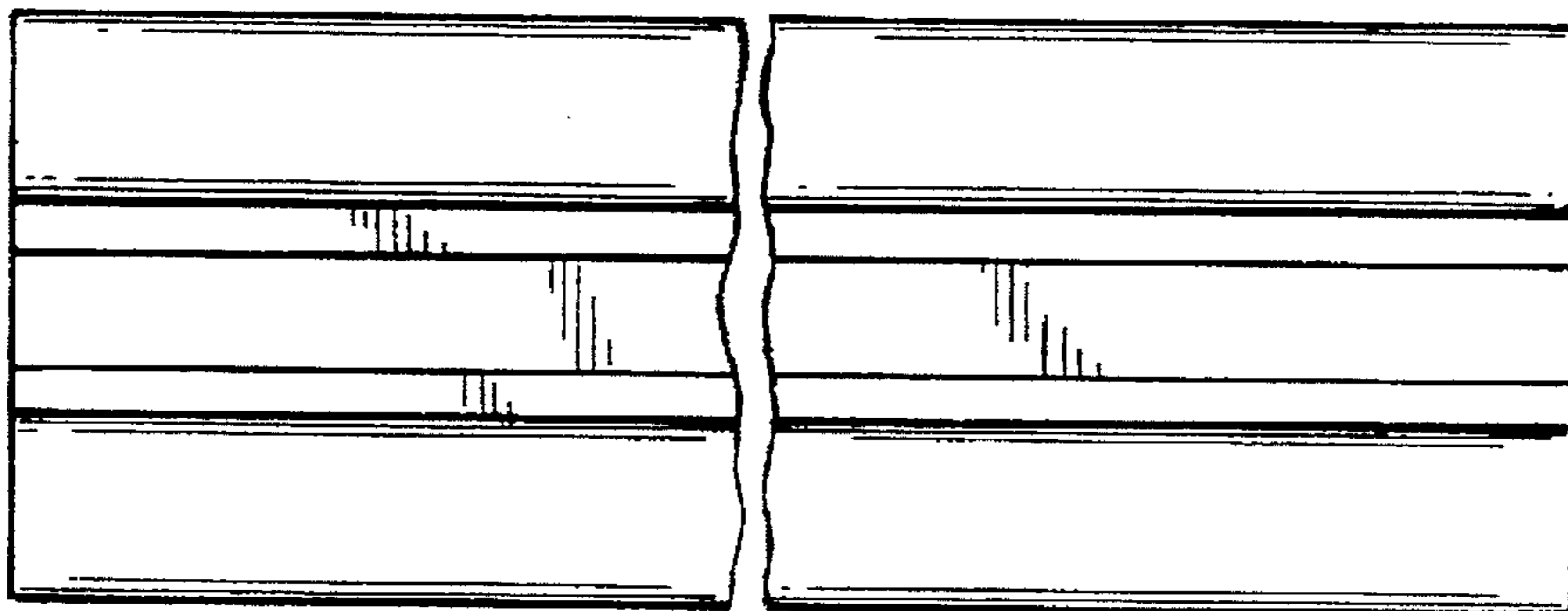


FIG 5