



US00D382977S

United States Patent [19] Gearing

[11] Patent Number: **Des. 382,977**
[45] Date of Patent: ****Aug. 26, 1997**

[54] **PICTURE FRAME MEMBER**
[75] Inventor: **Robert Edwin Gearing**, Cape Town, South Africa
[73] Assignee: **Rob Gearing and Associates (Proprietary) Ltd.**, Cape Town, South Africa
[**] Term: **14 Years**
[21] Appl. No.: **56,931**
[22] Filed: **Jul. 11, 1996**

D. 288,966 3/1987 Gordon D25/119
D. 295,521 5/1988 Mockett D25/119
D. 320,090 9/1991 Ermellini D25/136
D. 344,807 3/1994 Abbaticchio D25/38
D. 348,335 6/1994 Moreau D25/38
2,941,324 6/1960 Waxgiser 40/156
2,979,842 4/1961 De Ridder 40/156
3,386,198 6/1968 Howell 40/156
3,885,335 5/1975 Egermayer 40/125
3,899,844 8/1975 Munn 40/156
4,237,632 12/1980 Segerstad 40/156
4,356,648 11/1982 Beaulieu 40/155
4,498,755 2/1985 Heard 40/156
4,516,342 5/1985 Reim 40/156
4,974,301 12/1990 Ghislanzoni 40/152
5,199,201 4/1993 Vilims 40/156
5,307,575 5/1994 Ivansson 40/156

Related U.S. Application Data

[62] Division of Ser. No. 34,812, Feb. 13, 1995.

[30] Foreign Application Priority Data

Aug. 12, 1994 [ZA] South Africa 94/0577
Aug. 12, 1994 [ZA] South Africa 94/0578
Aug. 12, 1994 [ZA] South Africa 94/0579

[51] LOC (6) Cl. **25-01**
[52] U.S. Cl. **D25/119; D6/300**
[58] Field of Search D25/38, 60-61, D25/119-121; D6/300-302; 40/790-792, 796; 52/733.2, 733.3

[56] References Cited

U.S. PATENT DOCUMENTS

D. 51,509 11/1917 Plym D25/119
D. 104,566 5/1937 Goss D25/119
D. 110,619 7/1938 Lowry D25/119
D. 165,937 2/1952 Rosenblam D25/119
D. 201,353 6/1965 Riegleman D26/60
D. 213,436 3/1969 Geltner D25/119
D. 237,103 10/1975 Fisher D25/119
D. 251,019 2/1979 Brady D25/119
D. 270,188 8/1983 Whitehouse D25/119

Primary Examiner—Doris V. Coles
Assistant Examiner—G. Andoll
Attorney, Agent, or Firm—Ladas & Parry

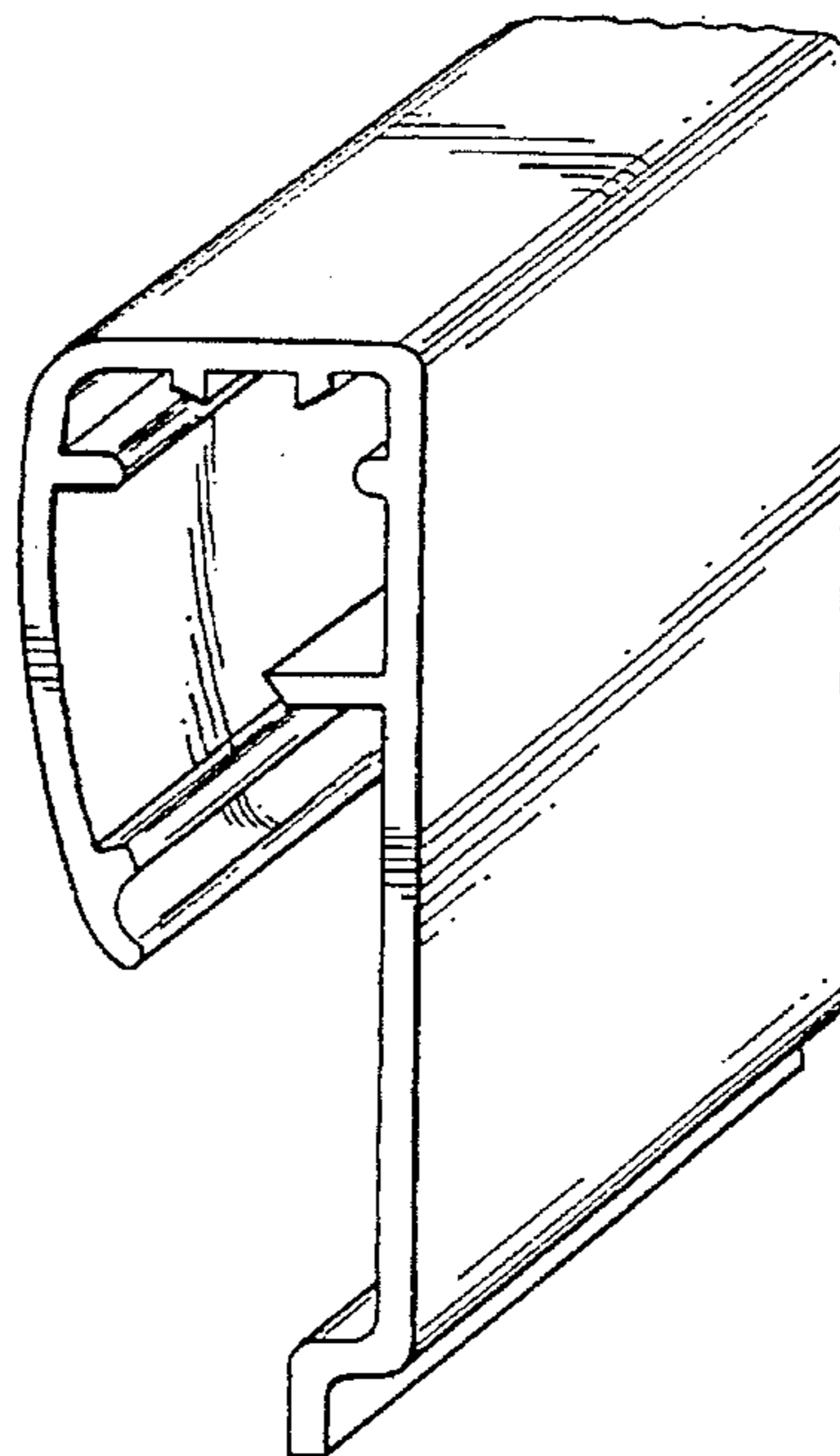
[57] CLAIM

The ornamental design for a picture frame member, as shown and described.

DESCRIPTION

FIG. 1 shows a three-dimensional view of a picture frame member;
FIG. 2 shows an end view of the picture frame member of FIG. 1;
FIG. 3 is a left side view of the picture frame member of FIGS. 1 and 2;
FIG. 4 is a right side view of the picture frame member of FIGS. 1 and 2;
FIG. 5 is a bottom view of the picture frame member of FIGS. 1 and 2; and,
FIG. 6 is a top view of the picture frame member of FIGS. 1 and 2.
The picture frame member shown is of indeterminate length.

1 Claim, 3 Drawing Sheets



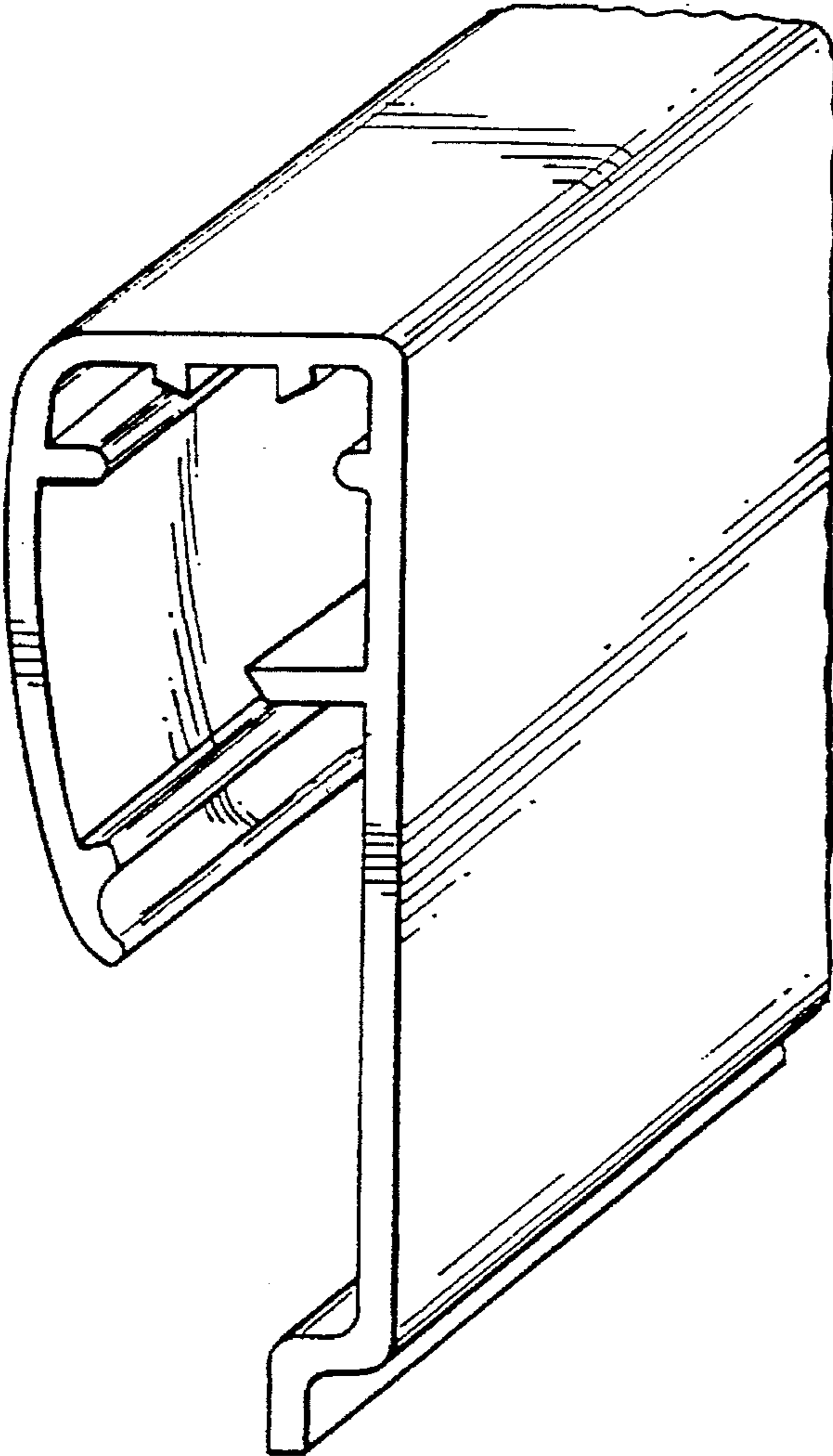


FIG 1

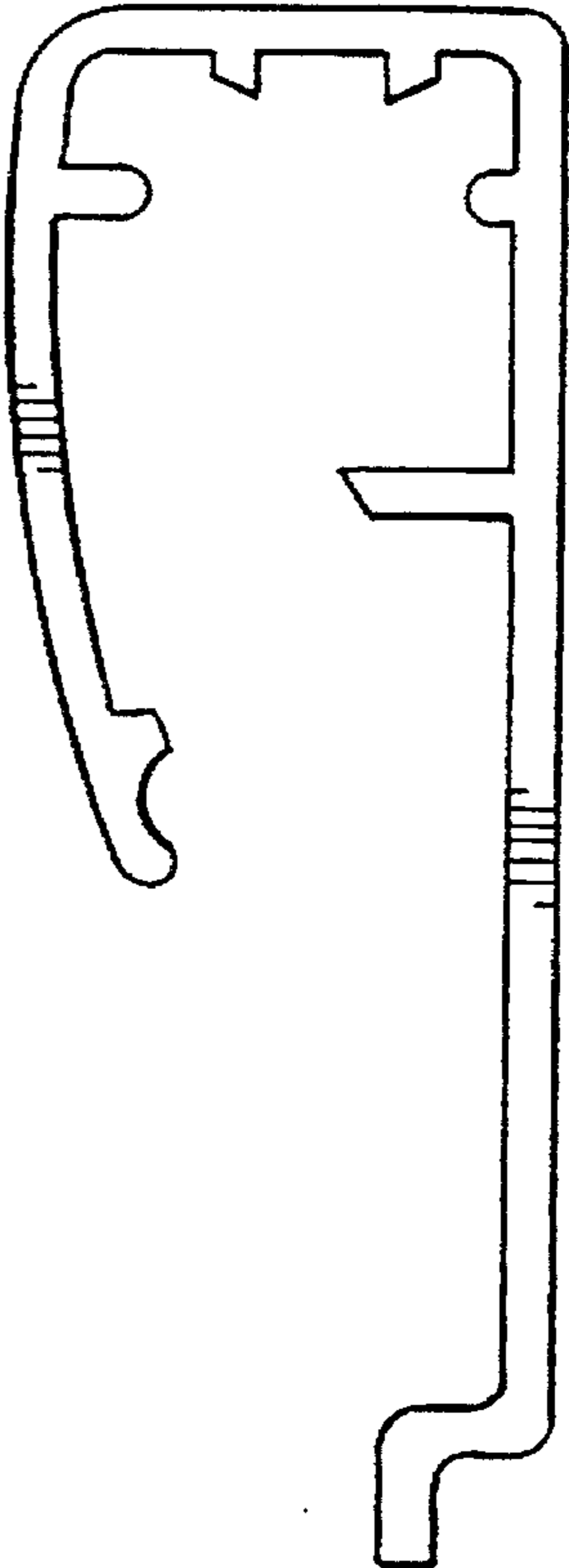


FIG 2

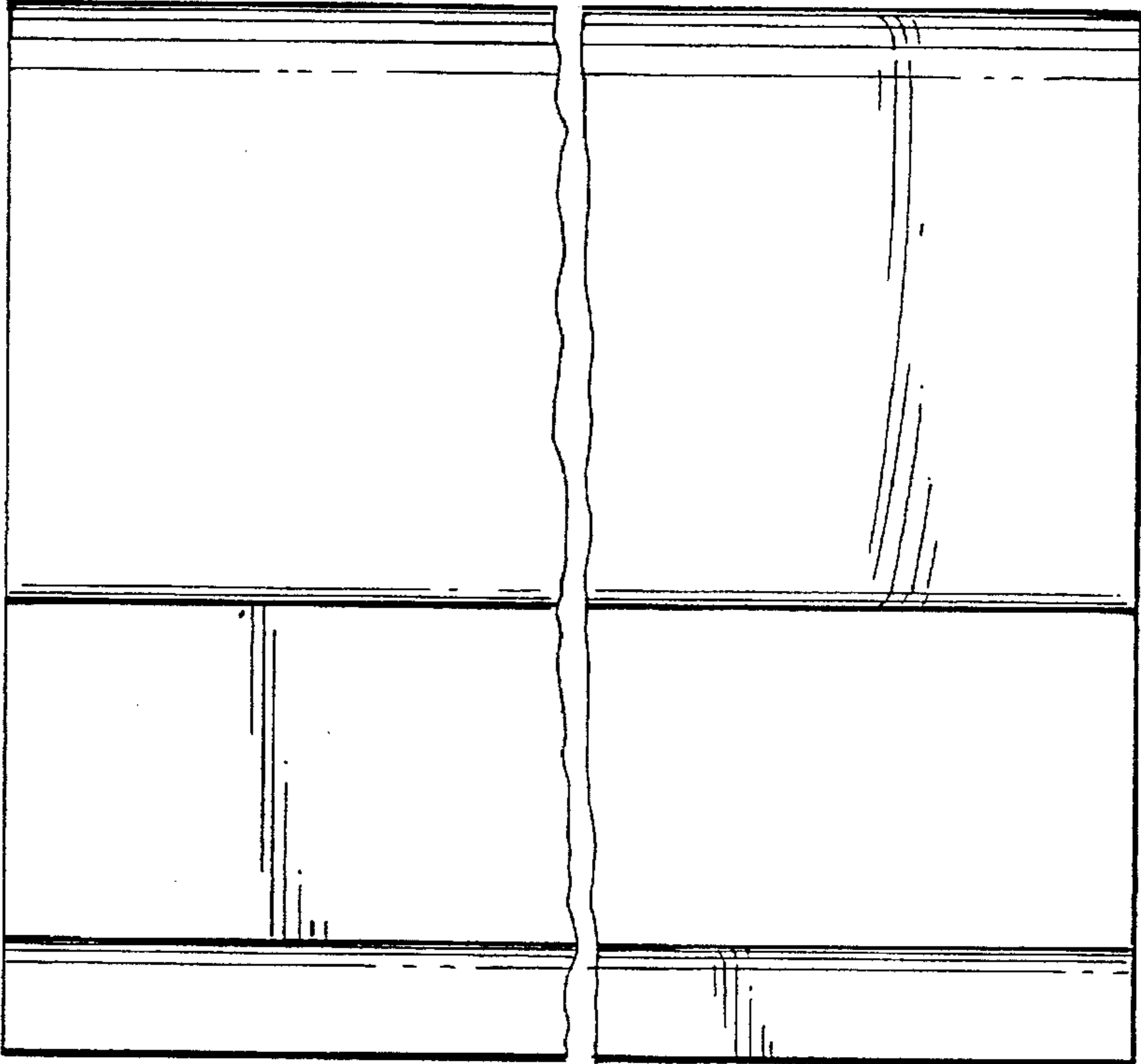


FIG 3

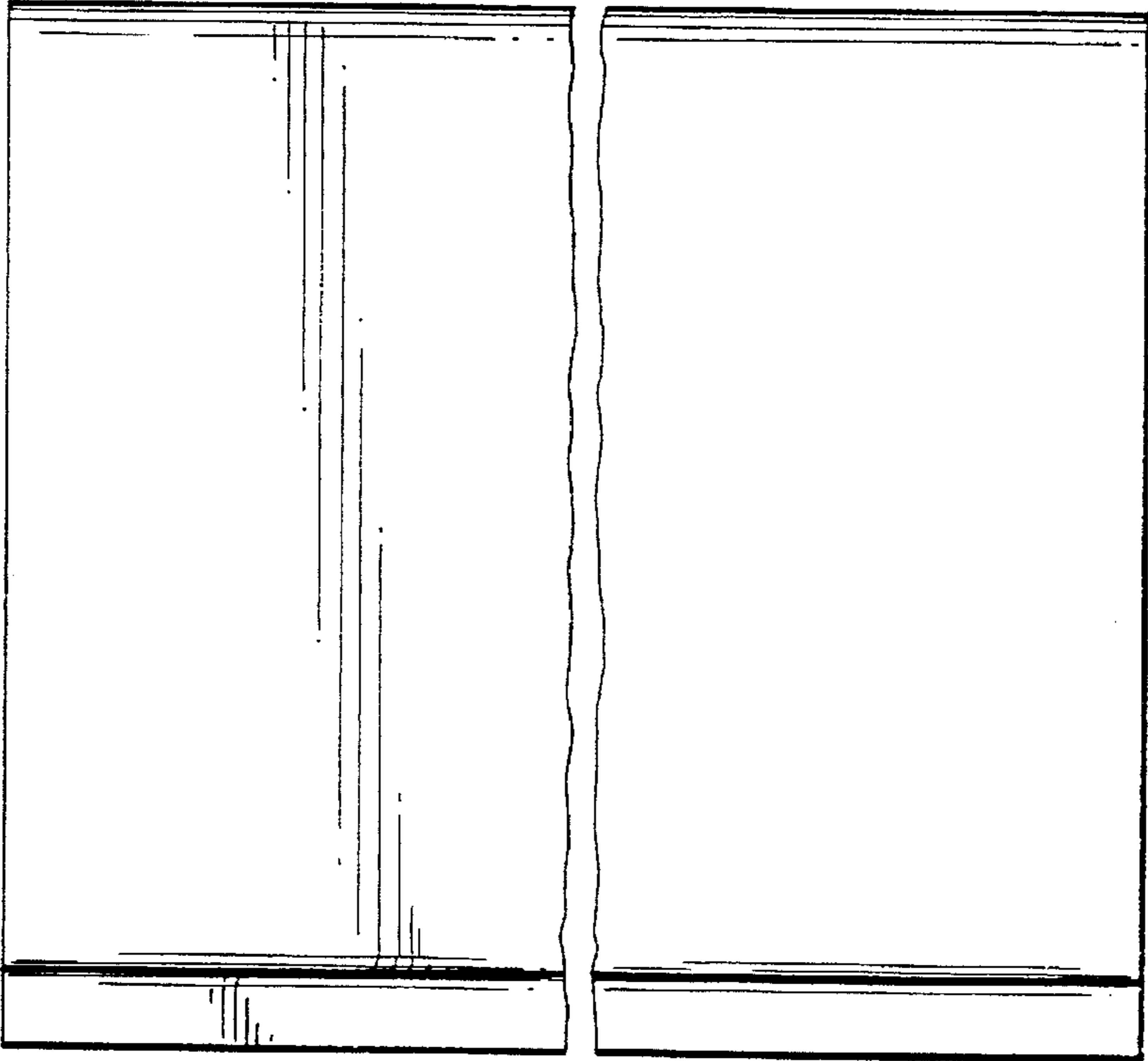


FIG 4

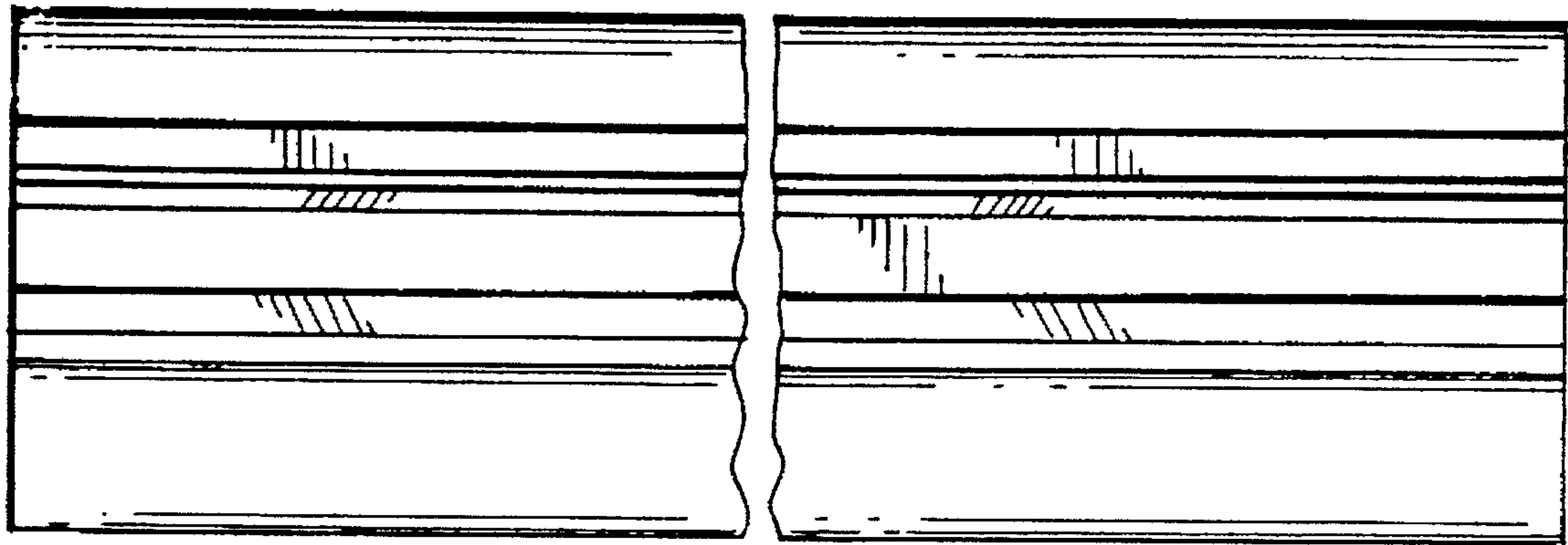


FIG 5

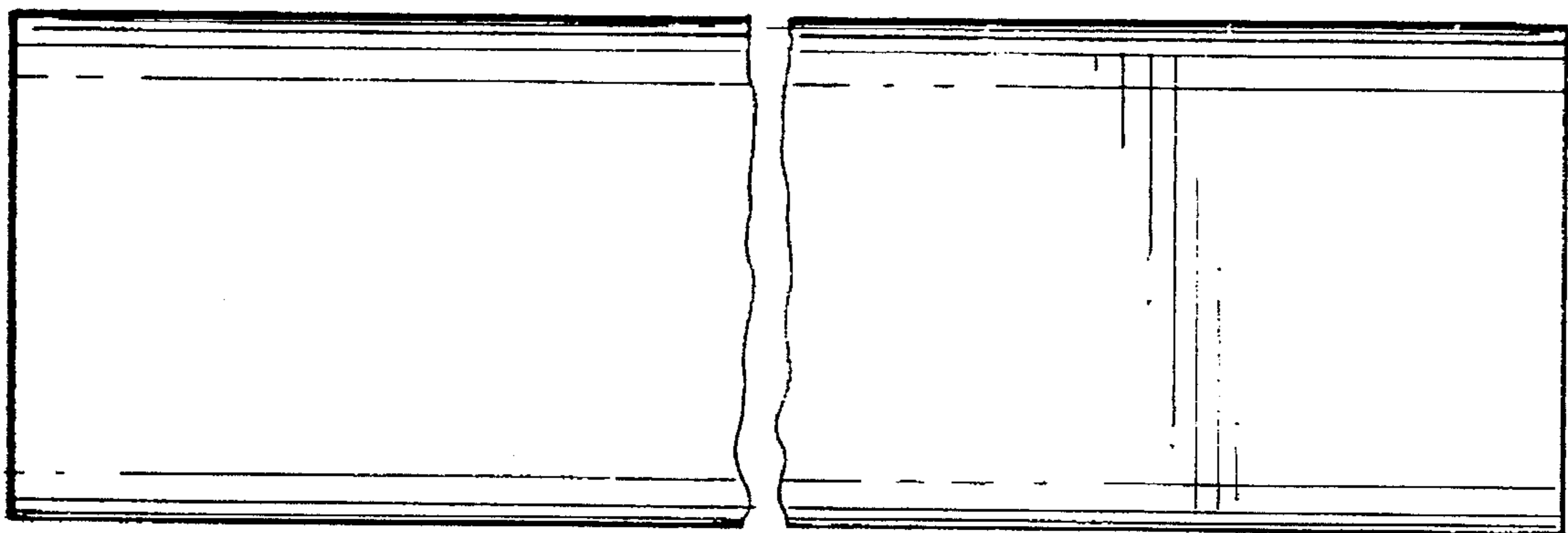


FIG 6