



US00D382964S

**United States Patent** [19]  
**Carmichael**

[11] **Patent Number: Des. 382,964**  
[45] **Date of Patent: \*\*Aug. 26, 1997**

[54] **COSMETIC COVER FOR LABIAL ARCH WIRE ON ORTHODONTIC APPLIANCES**

4,946,386 8/1990 Kidd et al. .... 433/18  
5,013,238 5/1991 Sterrett et al. .... 433/2

[76] **Inventor: Gavin James Carmichael**, 1 Severn Hill, Fulwood, Preston, PR2 3RD, United Kingdom

*Primary Examiner*—Kay H. Chin  
*Attorney, Agent, or Firm*—Oliff & Berridge

[\*\*] **Term: 14 Years**

[57] **CLAIM**

[21] **Appl. No.: 50,644**

The ornamental design for a cosmetic cover for labial arch wire on orthodontic appliances, as shown and described.

[22] **Filed: Feb. 21, 1996**

**DESCRIPTION**

[30] **Foreign Application Priority Data**

FIG. 1 is a side view of a cosmetic cover for labial arch wire on orthodontic appliances;

Aug. 23, 1995 [GB] United Kingdom ..... 20497431

FIG. 2 is a plan view thereof;

[51] **LOC (6) Cl. .... 24-01**

FIG. 3 is an underside view thereof;

[52] **U.S. Cl. .... D24/180**

FIG. 4 is a sectional view thereof taken along the line A—A of FIG. 1;

[58] **Field of Search .... D24/176-182;**  
433/2, 3, 4, 11, 13, 18, 19

FIG. 5 is a sectional view thereof taken along the line B—B of FIG. 1; and,

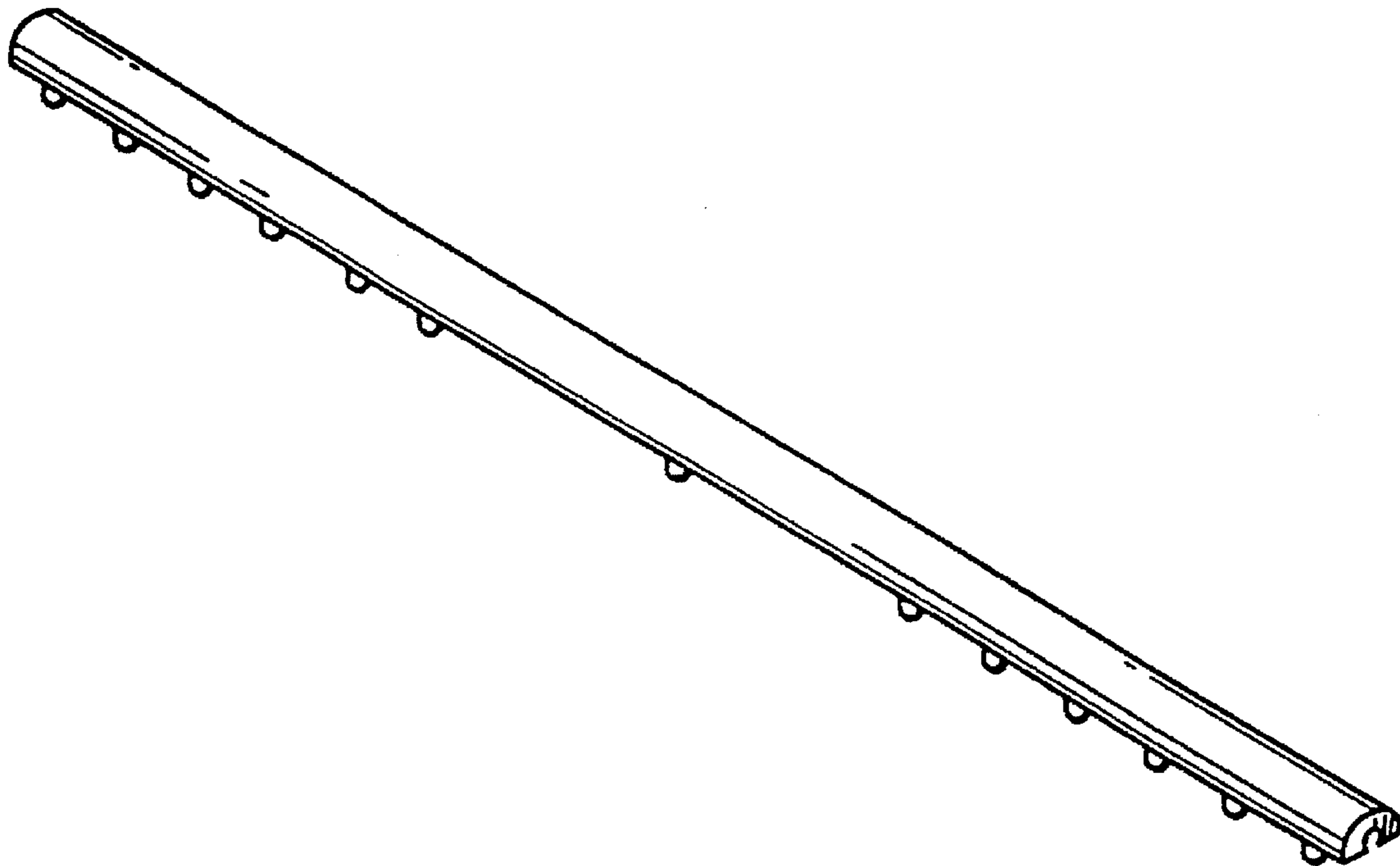
[56] **References Cited**

FIG. 6 is a perspective view thereof.

**U.S. PATENT DOCUMENTS**

4,026,021 5/1977 Kesling ..... 433/18

**1 Claim, 2 Drawing Sheets**



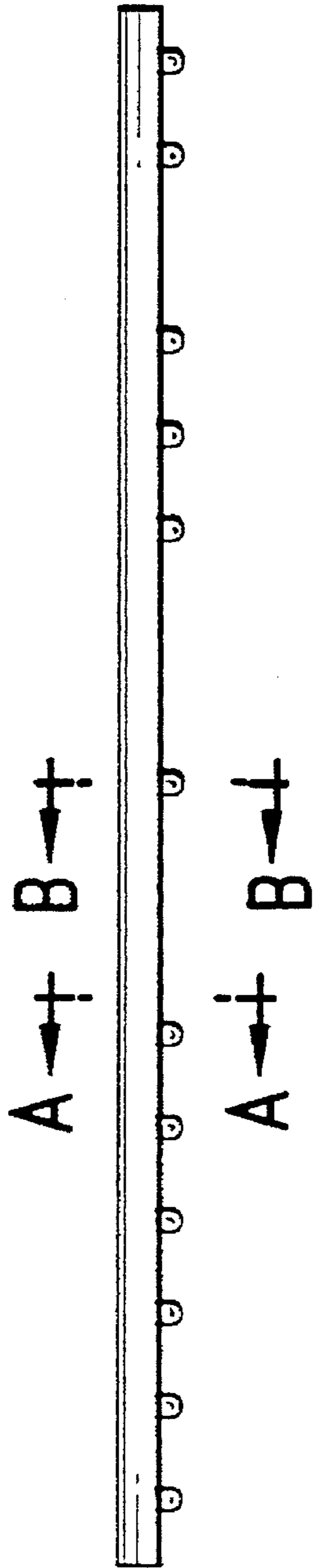


FIG. 1



FIG. 2



FIG. 3



FIG. 4



FIG. 5

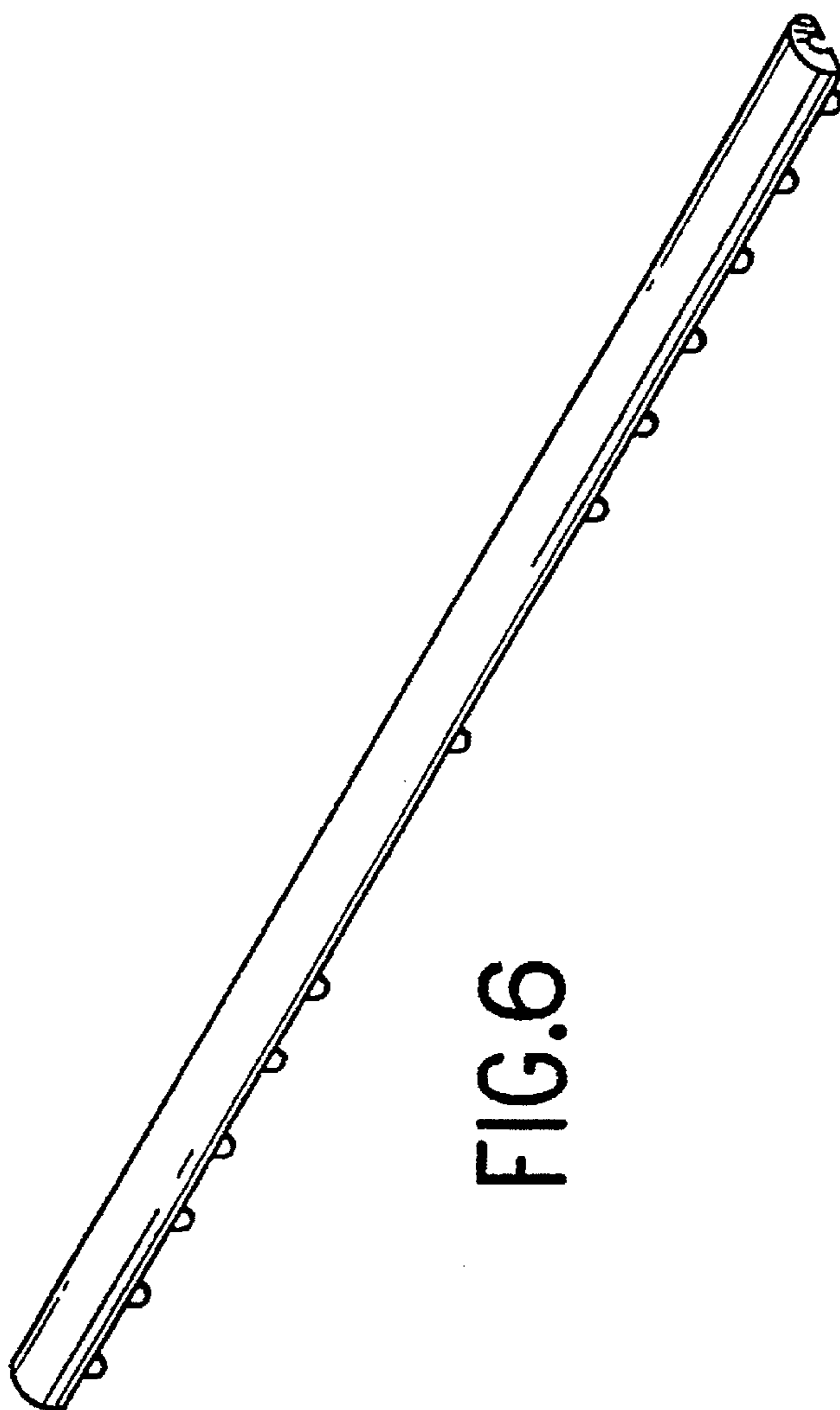


FIG. 6