



US00D382960S

# United States Patent [19] Chambers

[11] Patent Number: **Des. 382,960**  
[45] Date of Patent: **\*\*Aug. 26, 1997**

[54] **SUTURE PACKAGE**

[75] Inventor: **Elizabeth A. Chambers**, Danbury, Conn.

[73] Assignee: **American Cyanamid Company**, Wayne, N.J.

[\*\*] Term: **14 Years**

[21] Appl. No.: **30,424**

[22] Filed: **Oct. 28, 1994**

[51] LOC (6) Cl. .... **24-02**

[52] U.S. Cl. .... **D24/145; D9/337**

[58] Field of Search ..... **D24/145; D9/303, D9/337; 206/63.3, 439**

[56] **References Cited**

**U.S. PATENT DOCUMENTS**

D. 268,811	5/1983	Black	.....	D9/337	X
2,617,523	11/1952	Zoller	.....	206/63.3	
4,135,623	1/1979	Thyen	.....	206/63.3	
4,391,365	7/1983	Batchelor	.....	206/63.3	
4,896,767	1/1990	Pinheiru	.....	206/63.3	
5,050,735	9/1991	Levy	.....	206/363	X
5,101,968	4/1992	Henderson et al.	.....	206/63.3	
5,127,518	7/1992	Holzwarth et al.	.....	206/63.3	
5,199,561	4/1993	Roshdy et al.	.....	206/63.3	
5,335,783	8/1994	Sinn	.....	206/63.3	

**OTHER PUBLICATIONS**

*Advanced performance improves the standard for security*,  
Davis + Geck 1991, 089110.  
*Advanced performance meets flexible strength*, Davis &  
Geck © 1991.

*Primary Examiner*—Ruth McInroy

*Assistant Examiner*—I. Simmons

*Attorney, Agent, or Firm*—Charles F. Costello; Montgomery  
W. Smith; Rita D. Vacca

[57] **CLAIM**

The ornamental design for a suture package, as shown and described.

**DESCRIPTION**

FIG. 1 is a perspective view of a suture package showing my new design, shown in open position;

FIG. 2 is a perspective view thereof;

FIG. 3 is a perspective view thereof, shown in partially folded position;

FIG. 4 is a perspective view thereof, shown in a further partially folded position;

FIG. 5 is a perspective view thereof, shown in a further partially folded position;

FIG. 6 is a perspective view thereof, shown in a further partially folded position;

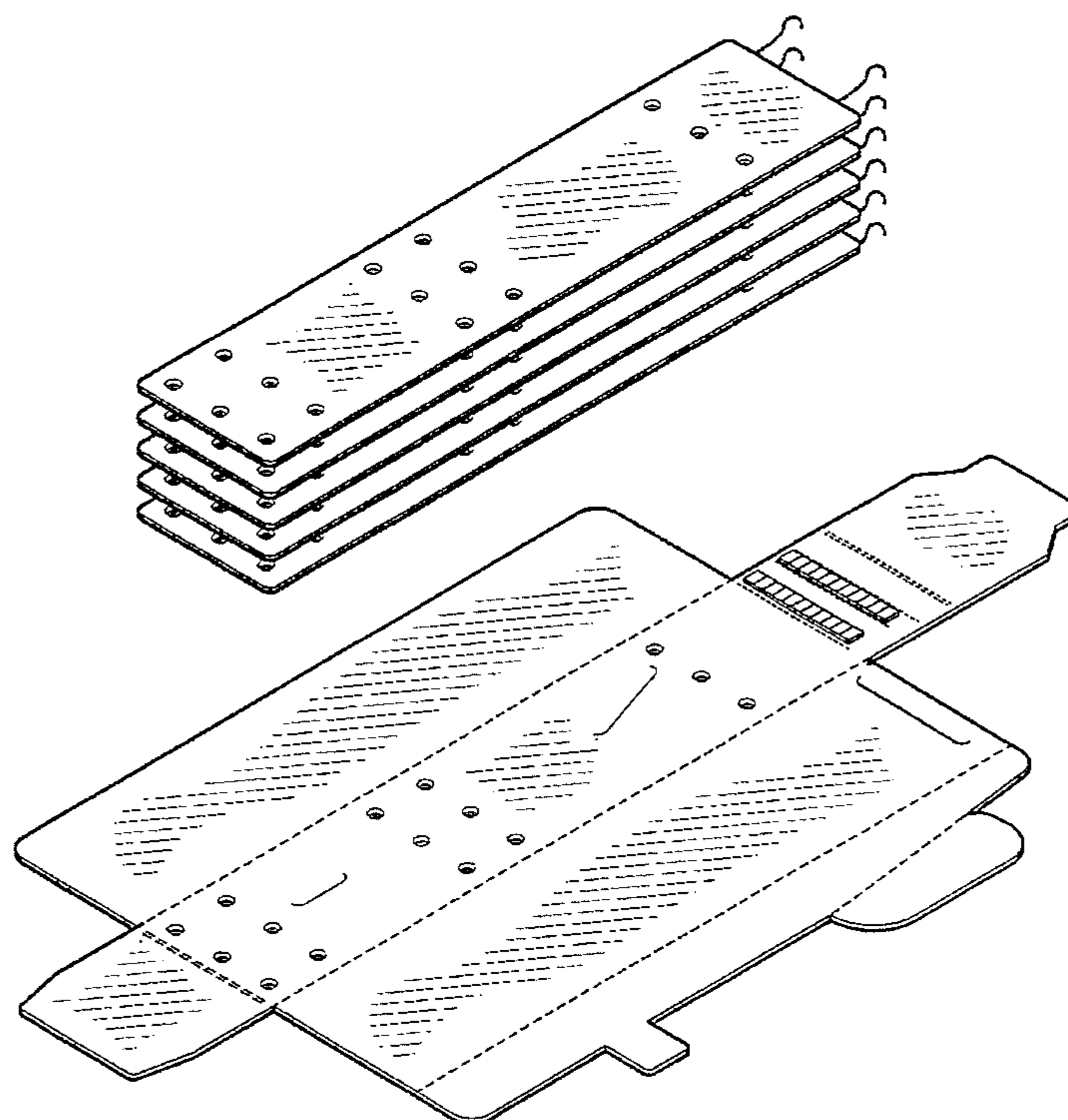
FIG. 7 is a perspective view thereof, shown in a completely folded position;

FIG. 8 is a perspective view thereof, shown in open position; and,

FIG. 9 is a perspective view thereof, shown in partially folded position.

The broken line showing of the fold lines, sutures and forceps tips in the FIGS. 1 through 9 are for illustrative purposes only and forms no part of the claimed design.

**1 Claim, 5 Drawing Sheets**



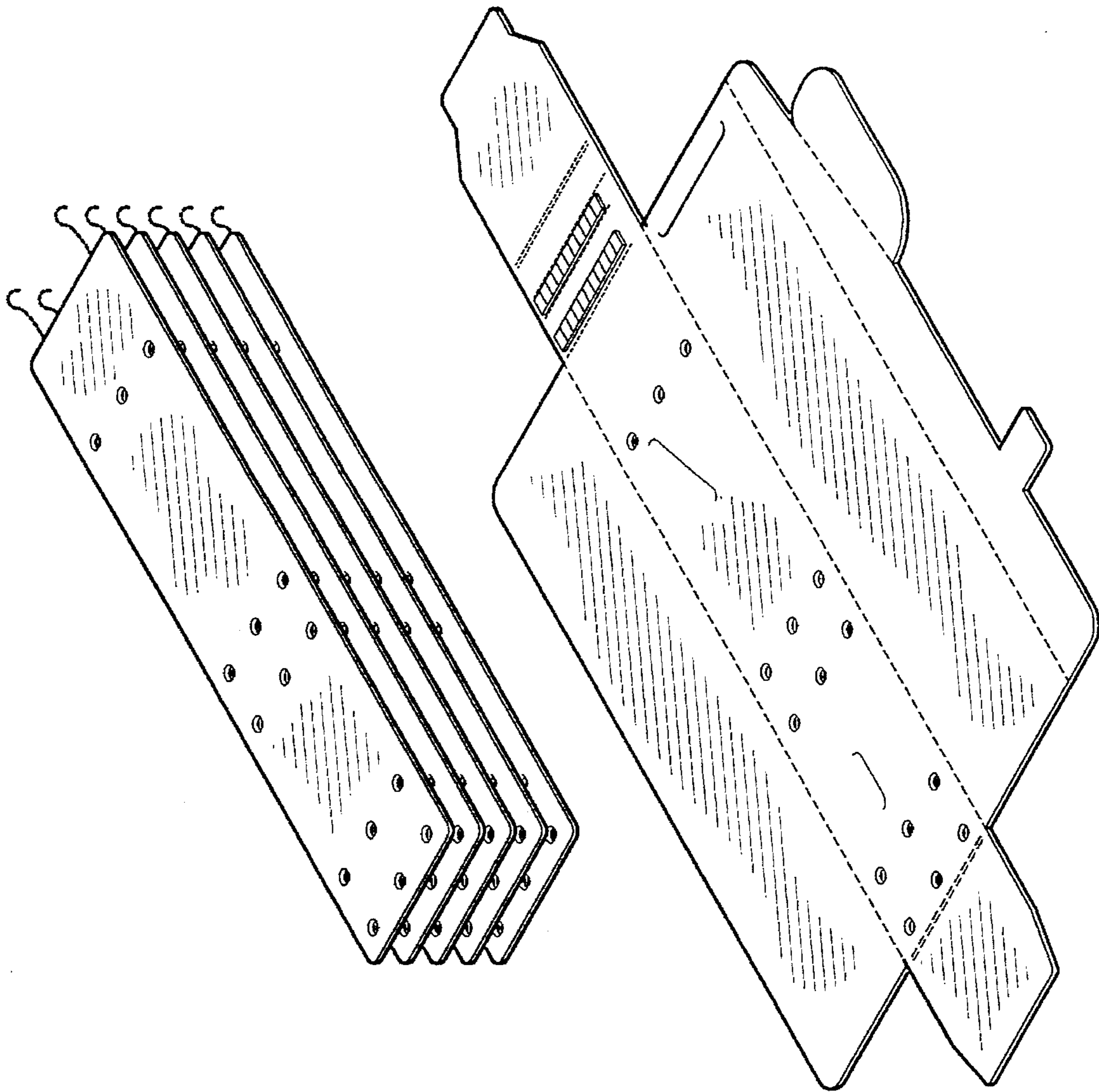


Figure 1



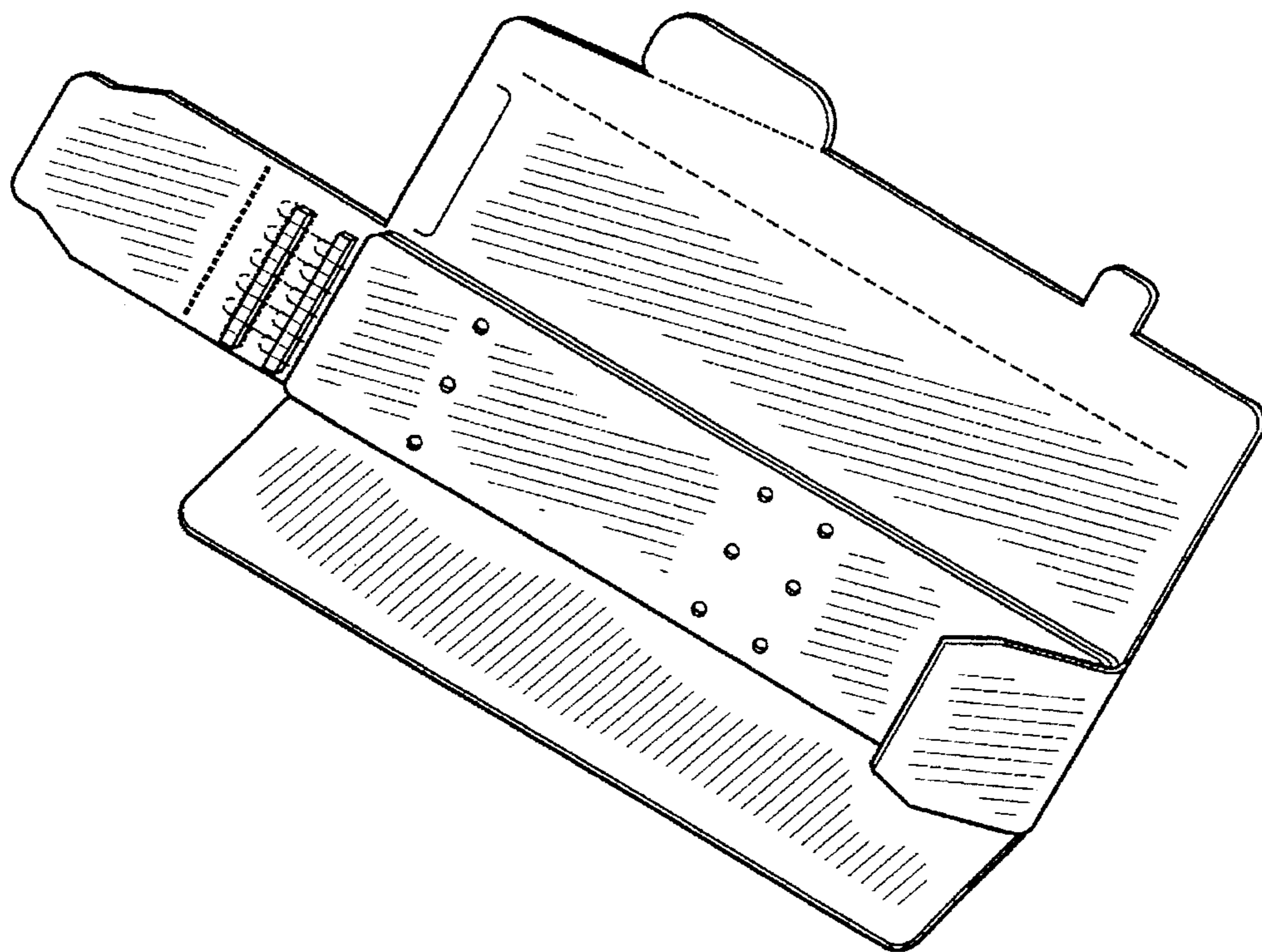


Figure 3

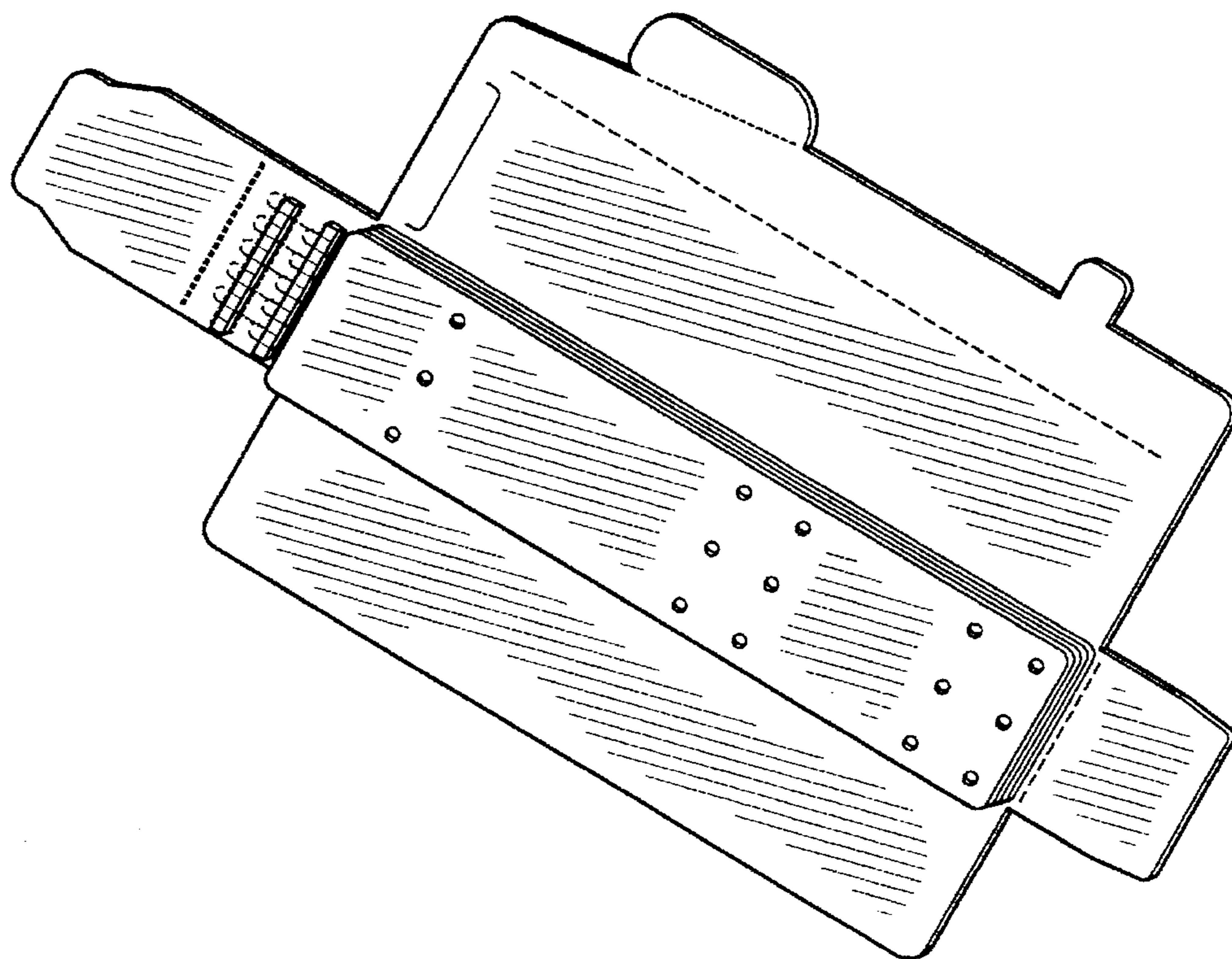


Figure 2

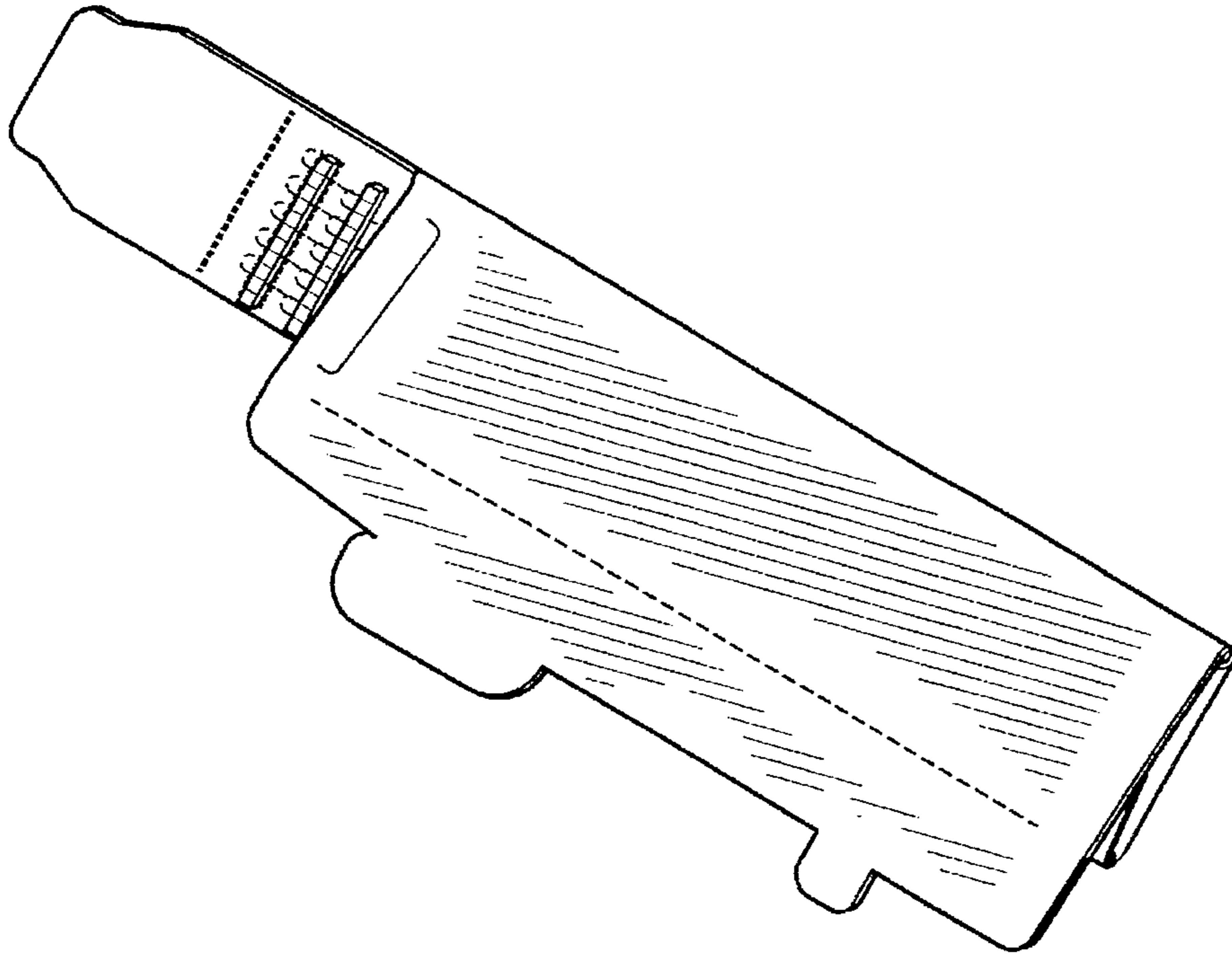


Figure 5

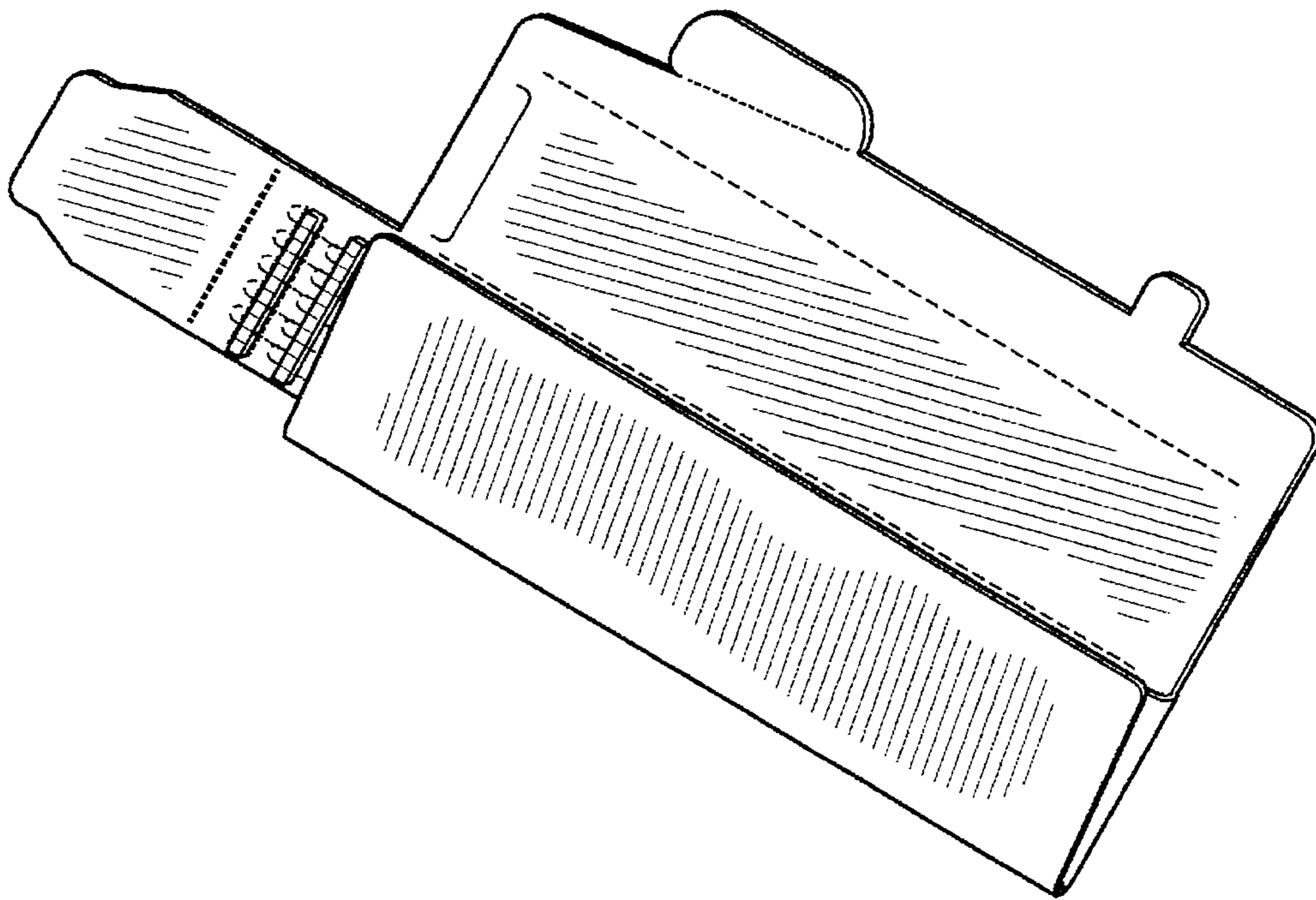


Figure 4

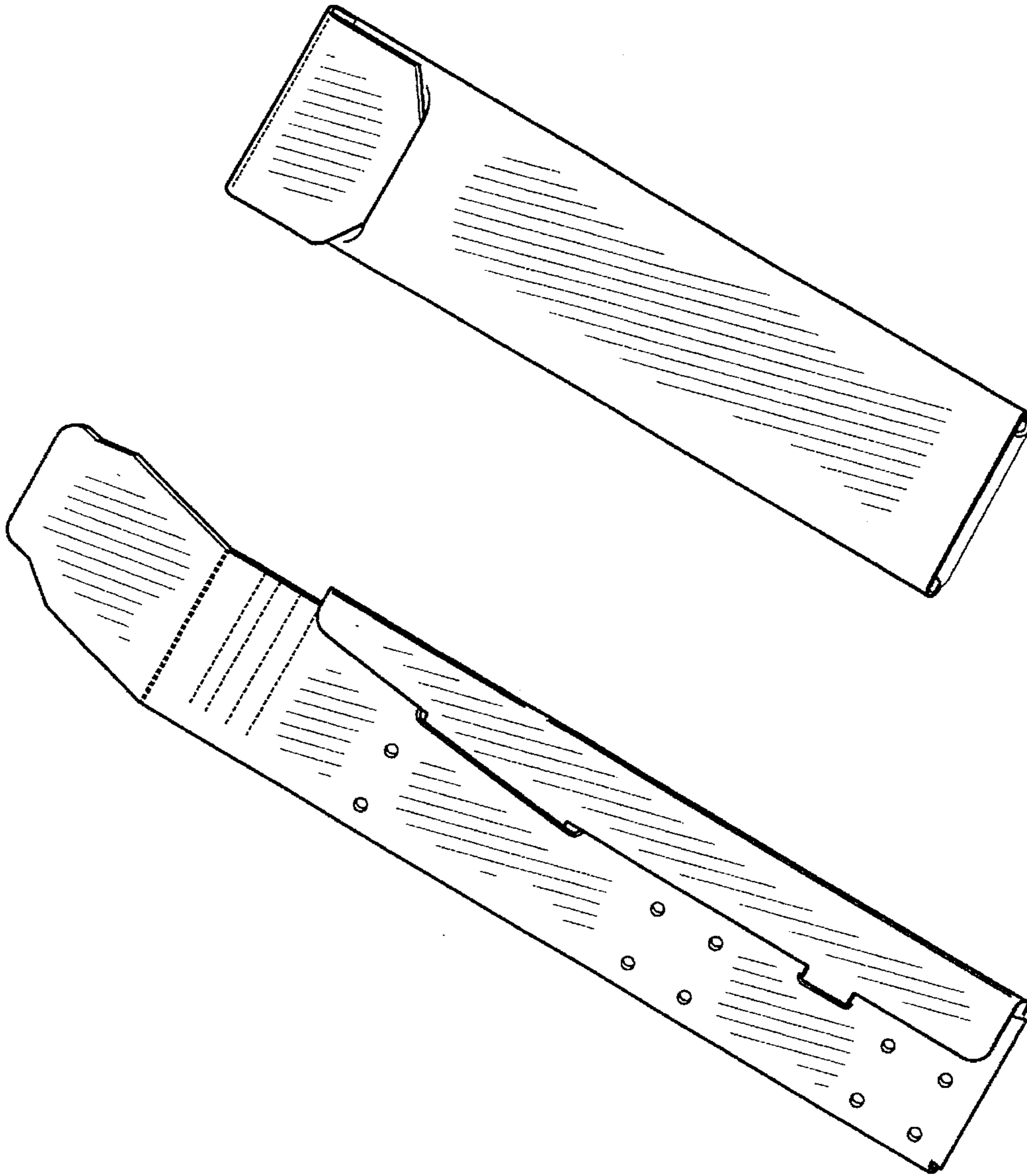


Figure 7

Figure 6



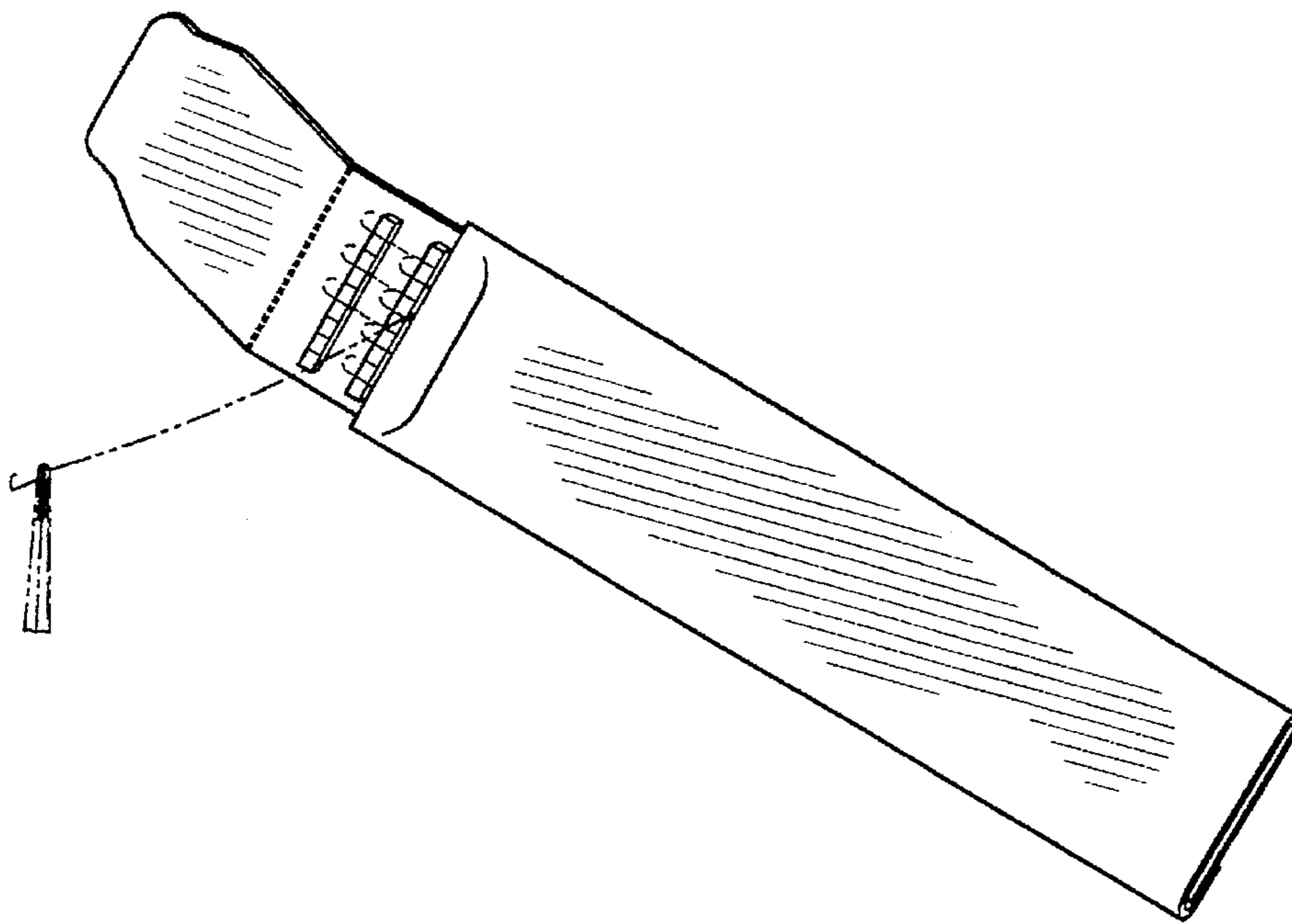


Figure 9

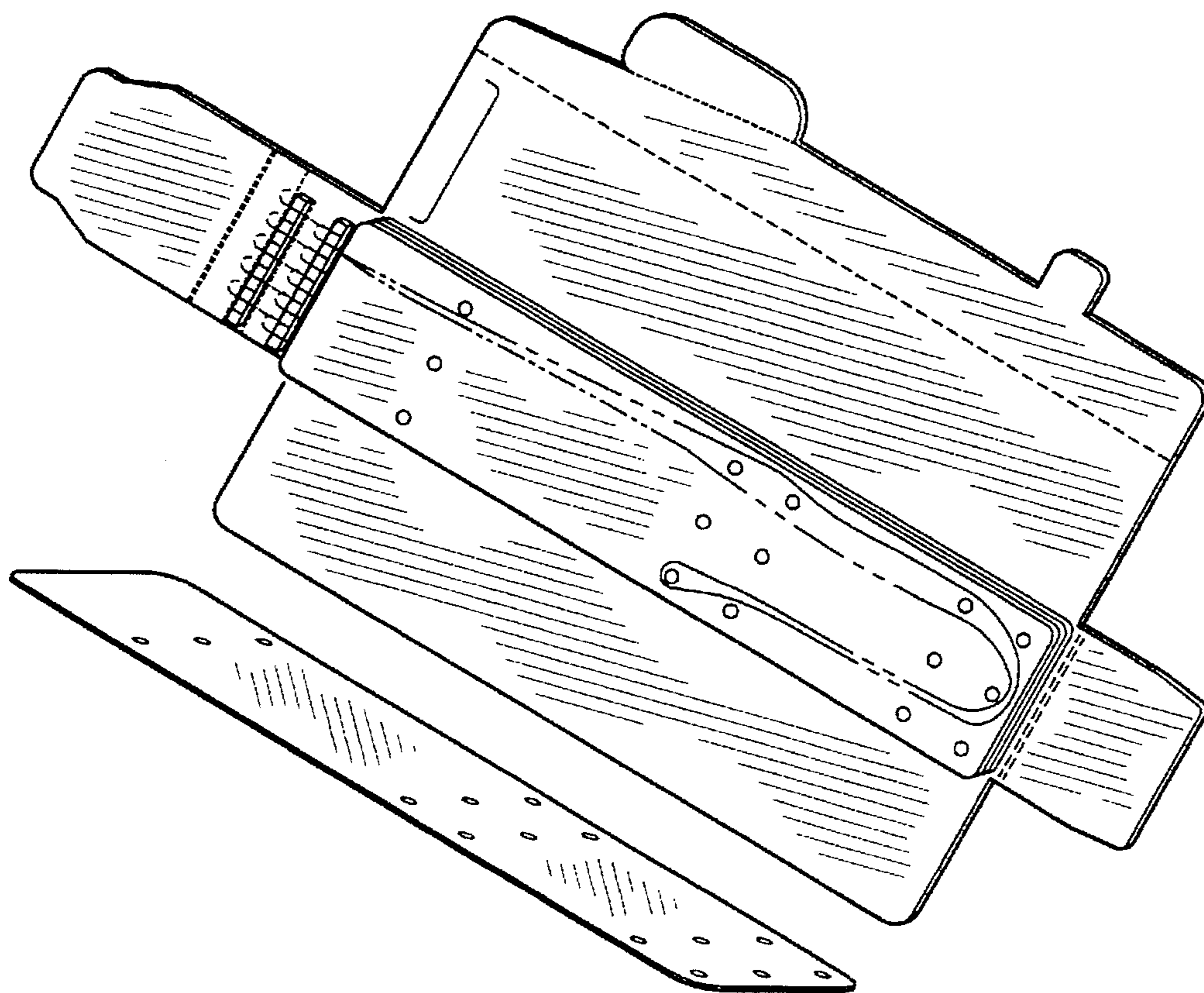


Figure 8