



US00D382957S

United States Patent [19]

[11] Patent Number: **Des. 382,957**

Piontek et al.

[45] Date of Patent: ****Aug. 26, 1997**

[54] **TUBING CONNECTOR**

D. 369,409	4/1996	Salter	D24/129
4,049,034	9/1977	Vcelka et al	604/408 X
5,267,984	12/1993	Doherty	604/905 X

[75] Inventors: **Carl Joseph Piontek, Powell; Robert Donald Clegg, Pickerington; Bradford Lynn Buck, Gahanna; Matthew Scott Fleming, Columbus; Joseph Anthony Juratovac, Columbus; Grant Richard Wilson, Columbus; William Edward Patton, Columbus; Kathryn Elizabeth Alexander, Columbus, all of Ohio**

Primary Examiner—Ruth McInroy
Assistant Examiner—I. Simmons
Attorney, Agent, or Firm—Brian R. Woodworth

[57] **CLAIM**

The ornamental design for a tubing connector, as shown and described.

[73] Assignee: **Abbott Laboratories, Abbott Park, Ill.**

DESCRIPTION

[**] Term: **14 Years**

FIG. 1 is a perspective view of a tubing connector showing our new design, the portion shown in broken lines is for illustrative purposes only and forms no part of the claimed design;

[21] Appl. No.: **44,379**

[22] Filed: **Sep. 21, 1995**

FIG. 2 is a front elevation view thereof;

[51] LOC (6) Cl. **24-02**

[52] U.S. Cl. **D24/129**

FIG. 3 is a left side elevation view thereof;

[58] **Field of Search** D24/129, 112;
D23/266, 265; 604/905, 283; 285/332,
906, 242, 23

FIG. 4 is a top view thereof;

FIG. 5 is a right elevation view thereof;

FIG. 6 is a rear elevation view thereof;

FIG. 7 is a bottom view thereof; and,

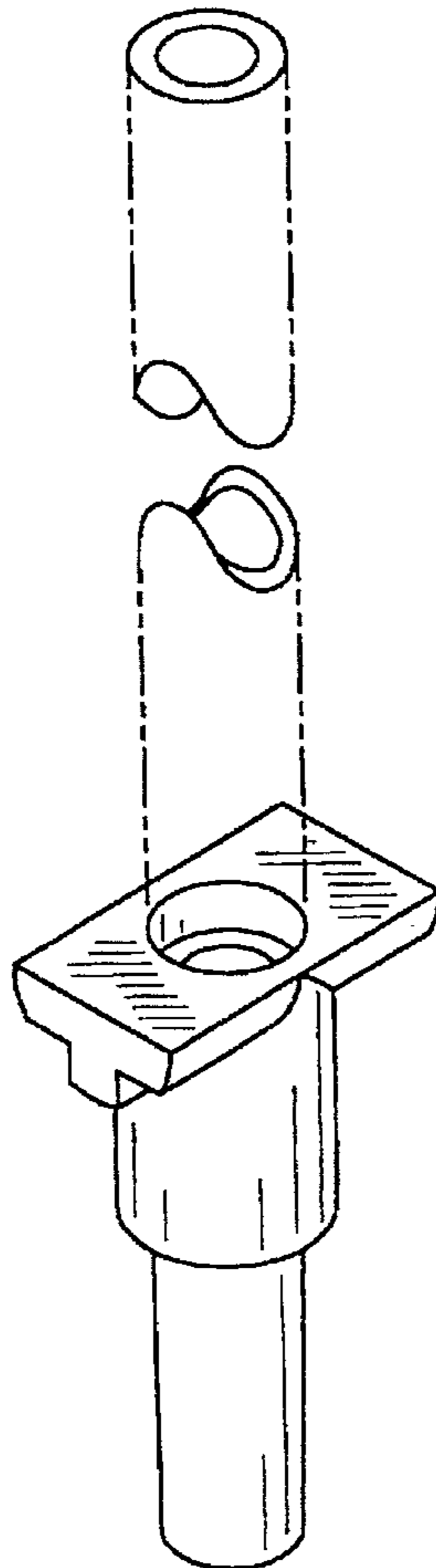
FIG. 8 is a cross-sectional view thereof taken along line 8—8 of FIG. 4.

[56] **References Cited**

U.S. PATENT DOCUMENTS

D. 303,291 9/1989 Magrath D24/129

1 Claim, 2 Drawing Sheets



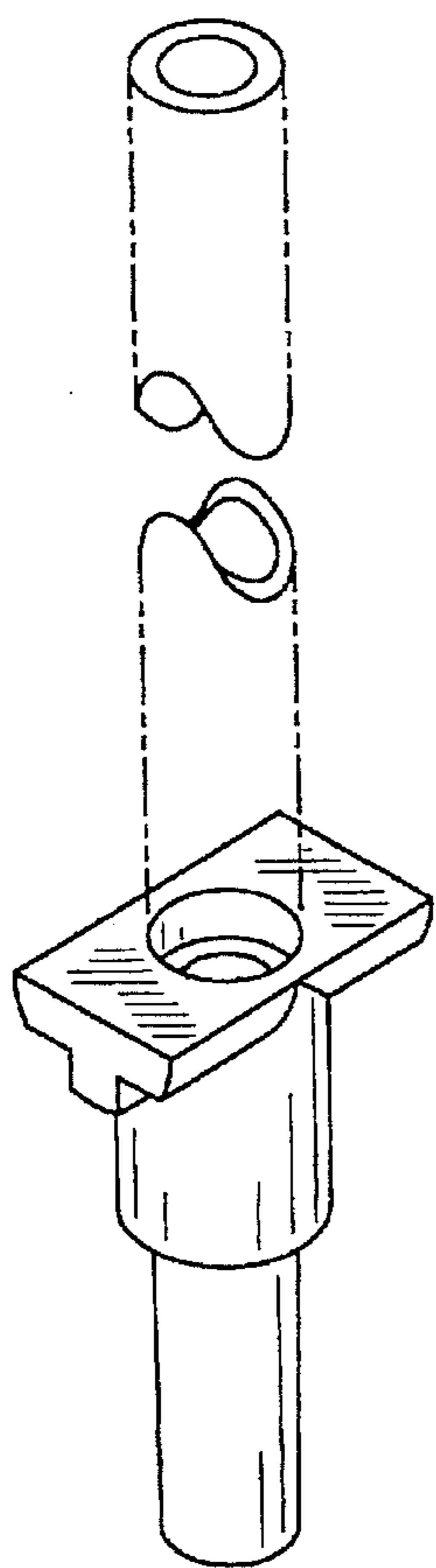


FIG-1

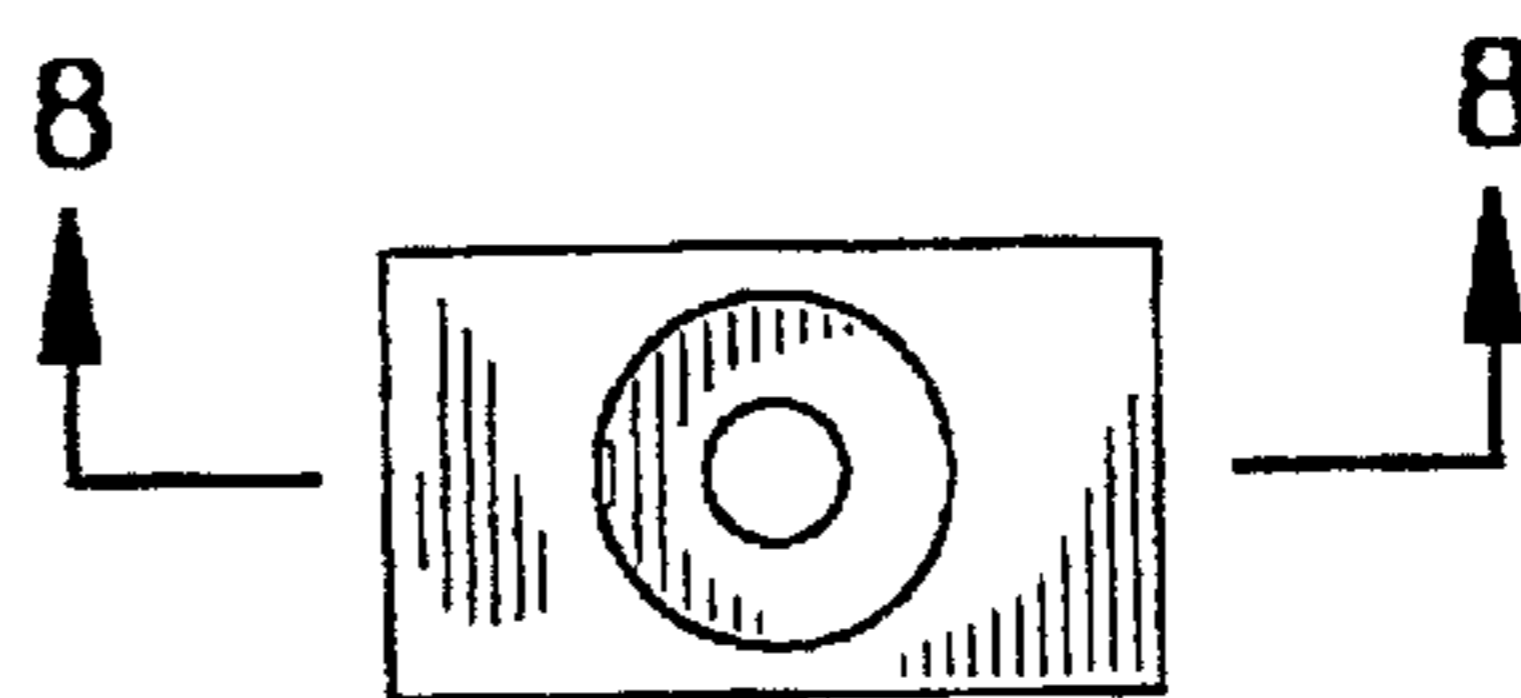


FIG-4

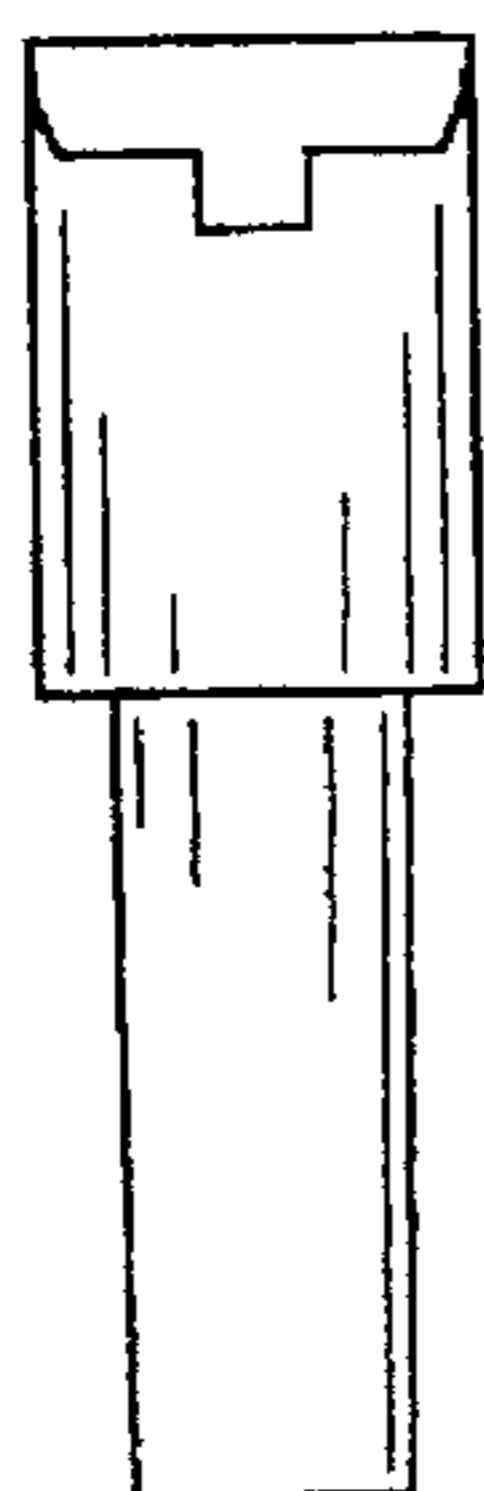


FIG-3

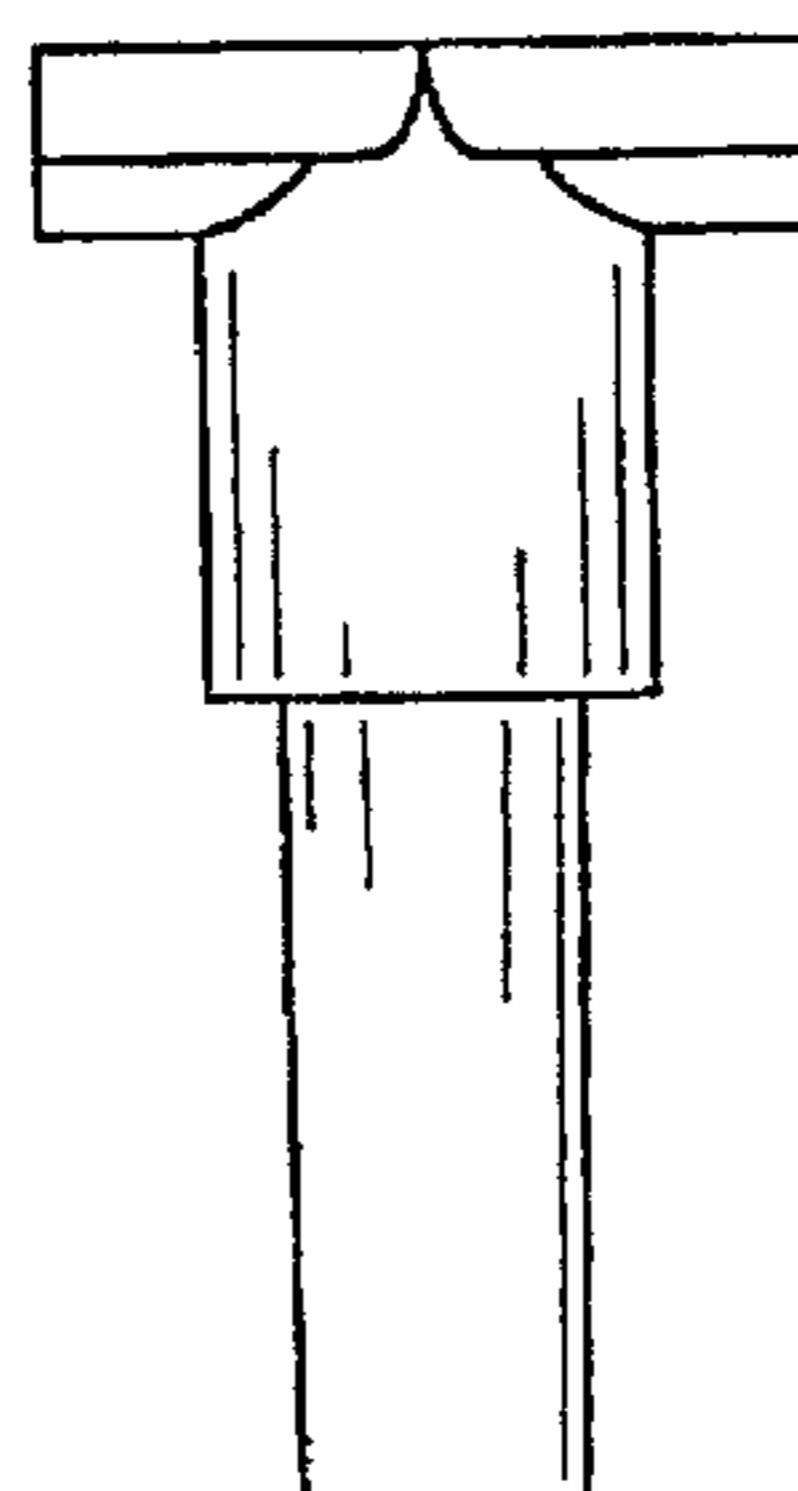


FIG-2

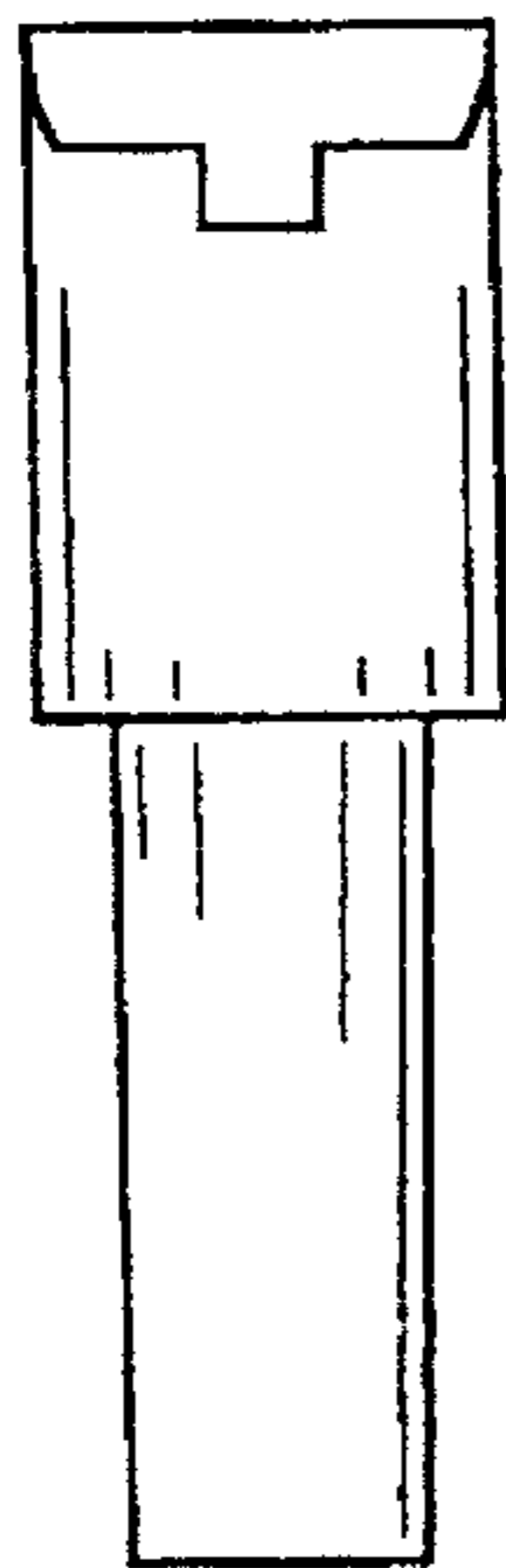


FIG-5

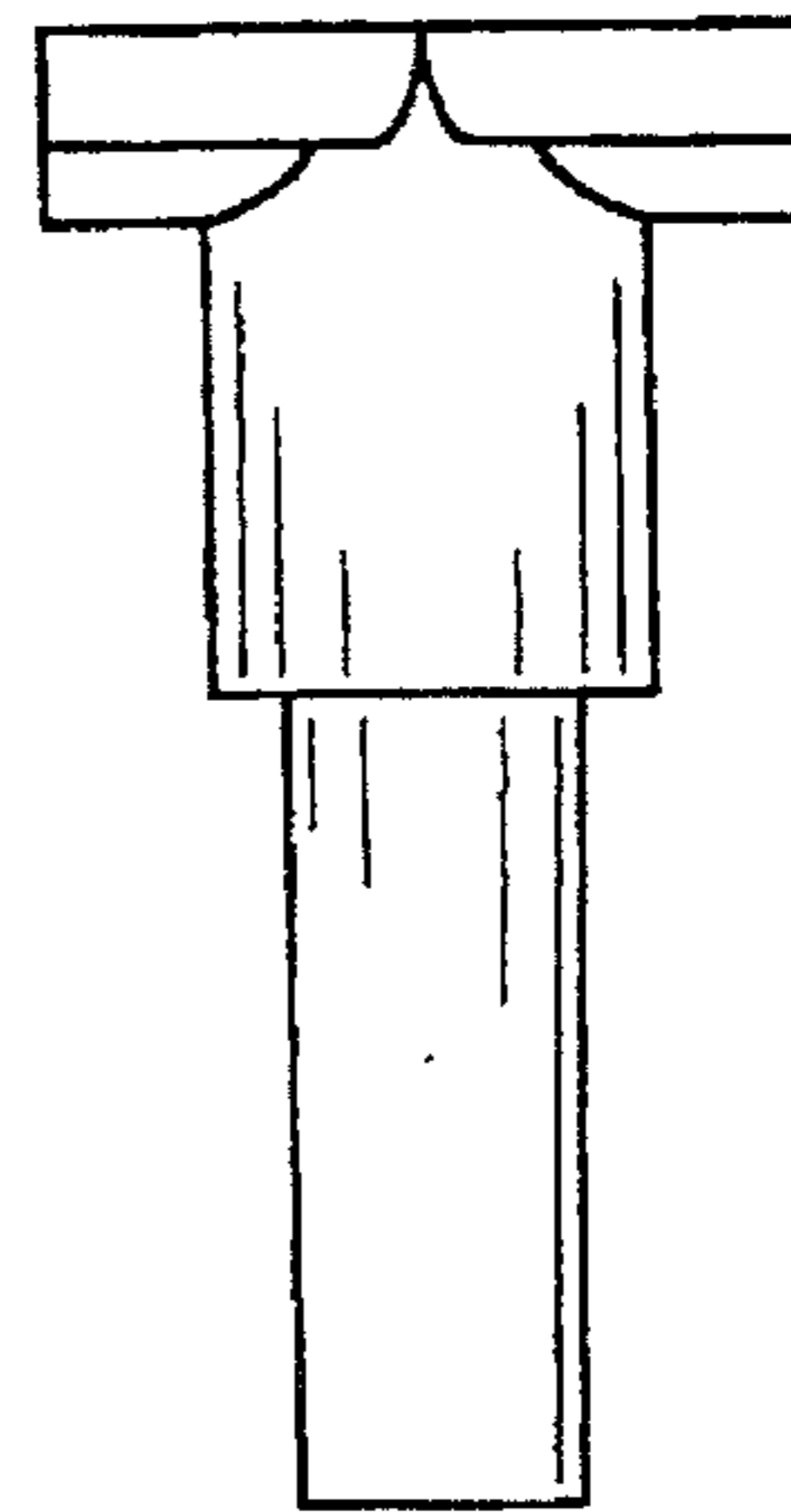


FIG-6

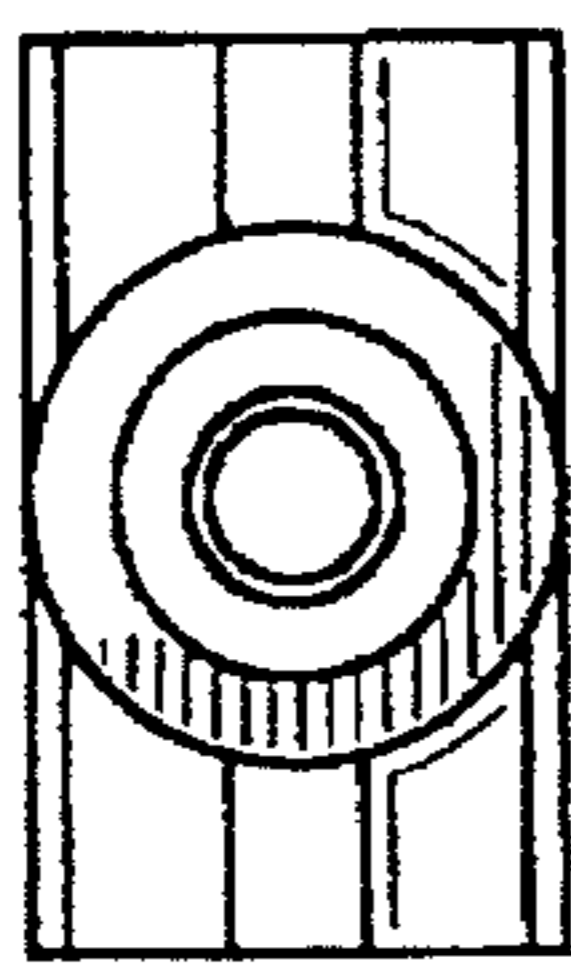


FIG-7

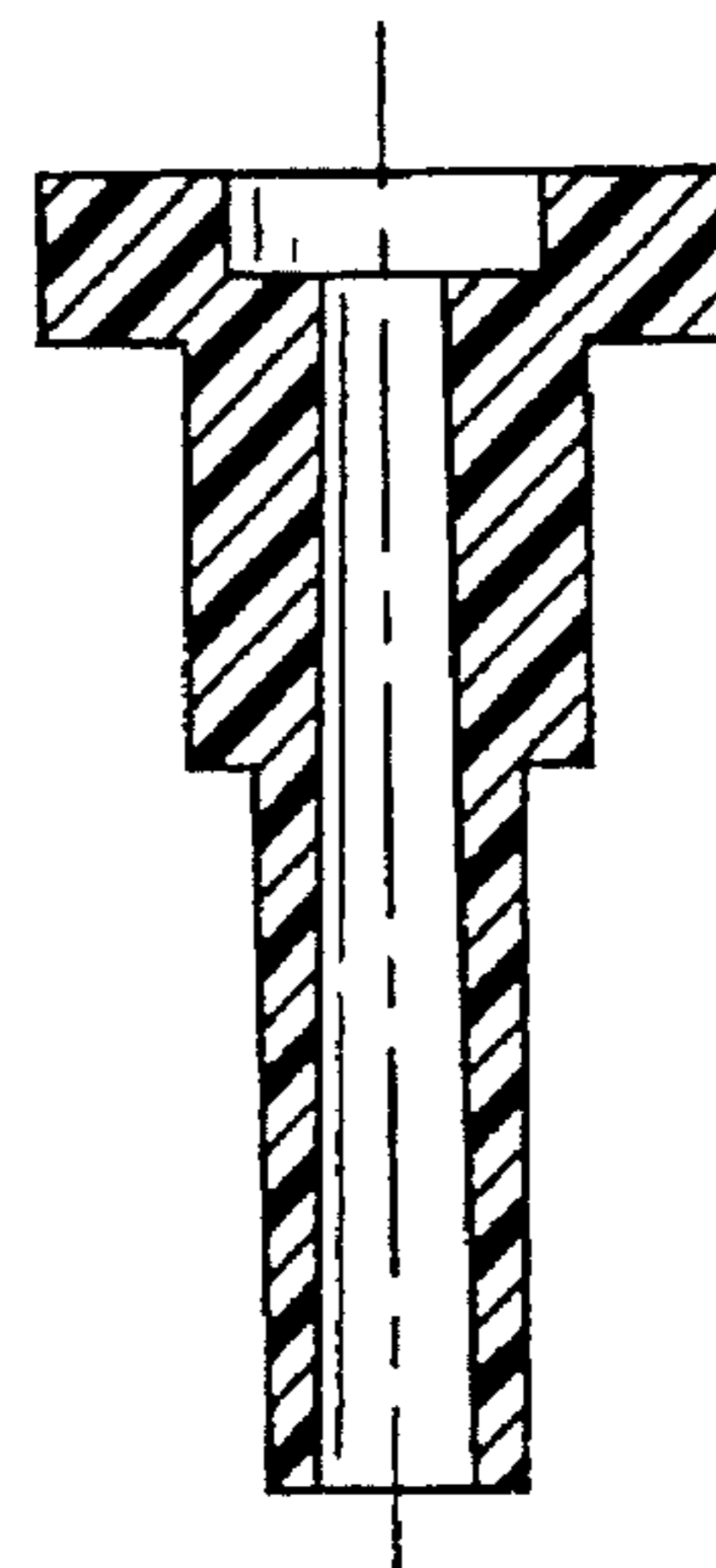


FIG-8

UNITED STATES PATENT AND TRADEMARK OFFICE
CERTIFICATE OF CORRECTION

PATENT NO. : Des. 382,957
DATED : August 26, 1997
INVENTOR(S) : Piontek et al.

It is certified that error appears in the above-identified patent and that said Letters Patent is hereby corrected as shown below:

In the description, line 8, change "right" to --right side--.

Signed and Sealed this
Seventeenth Day of February, 1998

Attest:



BRUCE LEHMAN

Attesting Officer

Commissioner of Patents and Trademarks