



US00D382953S

United States Patent [19]
Kuo

[11] **Patent Number: Des. 382,953**

[45] **Date of Patent: **Aug. 26, 1997**

[54] **COMBINED CEILING FAN AND LIGHT**

D. 341,878 11/1993 Cich, Jr. D23/335
4,640,668 2/1987 Yang 416/5

[76] **Inventor: Tung-Liang Kuo, 58, Ma Yuan West St., Taichung, Taiwan**

Primary Examiner—Lisa Lichtenstein

[**] **Term: 14 Years**

[57] **CLAIM**

[21] **Appl. No.: 35,703**

The ornamental design for a combined ceiling fan and light, as shown and described.

[22] **Filed: Mar. 6, 1995**

DESCRIPTION

[51] **LOC (6) Cl. 23-04**

FIG. 1 is a perspective view of a combined ceiling fan and light showing my new design;

[52] **U.S. Cl. D23/377; D23/379; D23/385**

FIG. 2 is a front elevational view thereof;

[58] **Field of Search D23/377, 379, D23/385, 411, 413; D21/204; D26/73, 81-86, 59, 51, 72; 416/5; 362/96; 392/364**

FIG. 3 is a rear elevational view thereof;

FIG. 4 is a right side elevational view thereof, the left side being a mirror image of that shown;

FIG. 5 is a top plan view thereof, on a reduced scale; and,

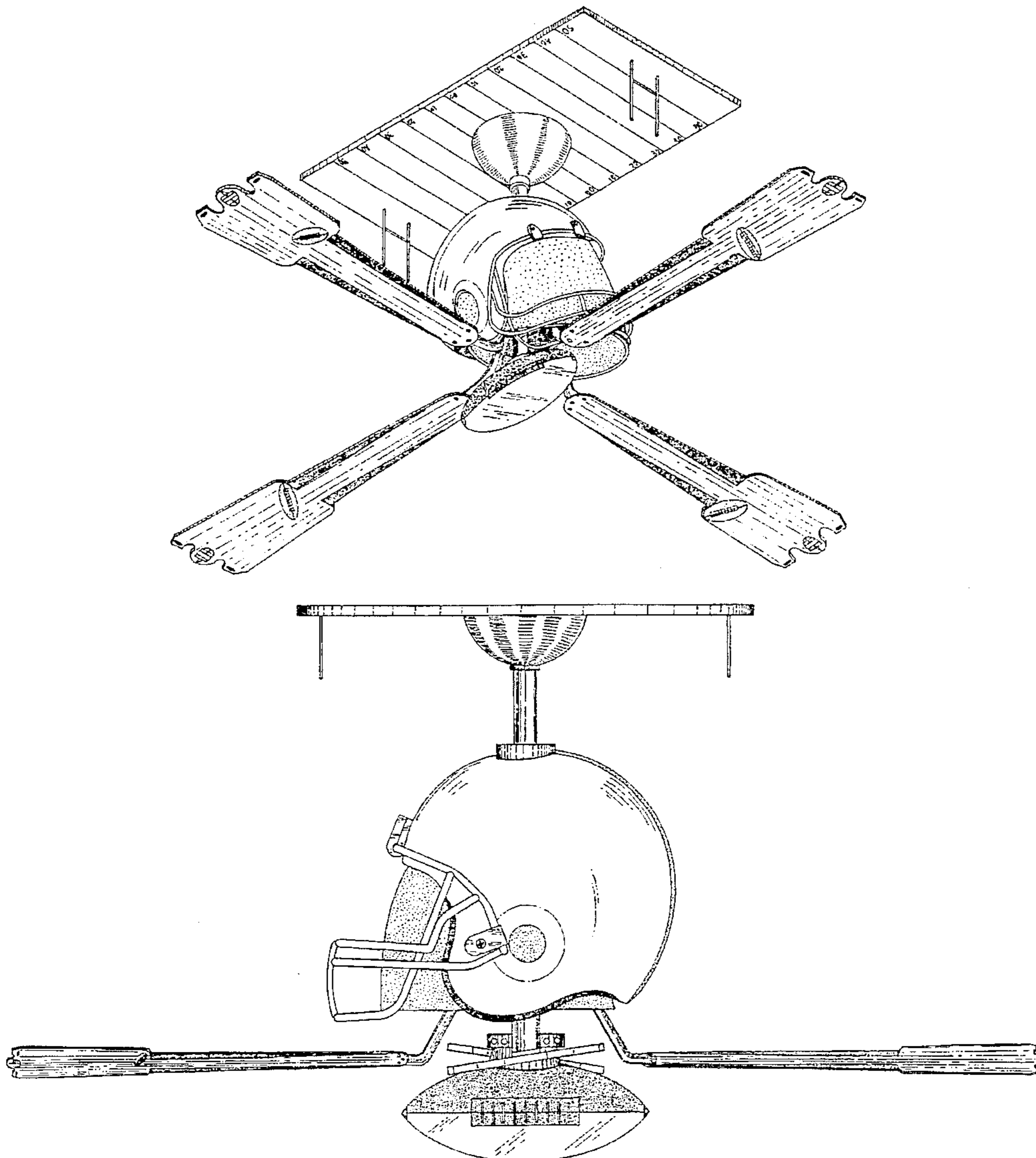
FIG. 6 is a bottom plan view thereof, on a reduced scale.

[56] **References Cited**

U.S. PATENT DOCUMENTS

D. 246,934 1/1978 Keller D26/73
D. 333,867 3/1993 Markwardt D23/377

1 Claim, 6 Drawing Sheets



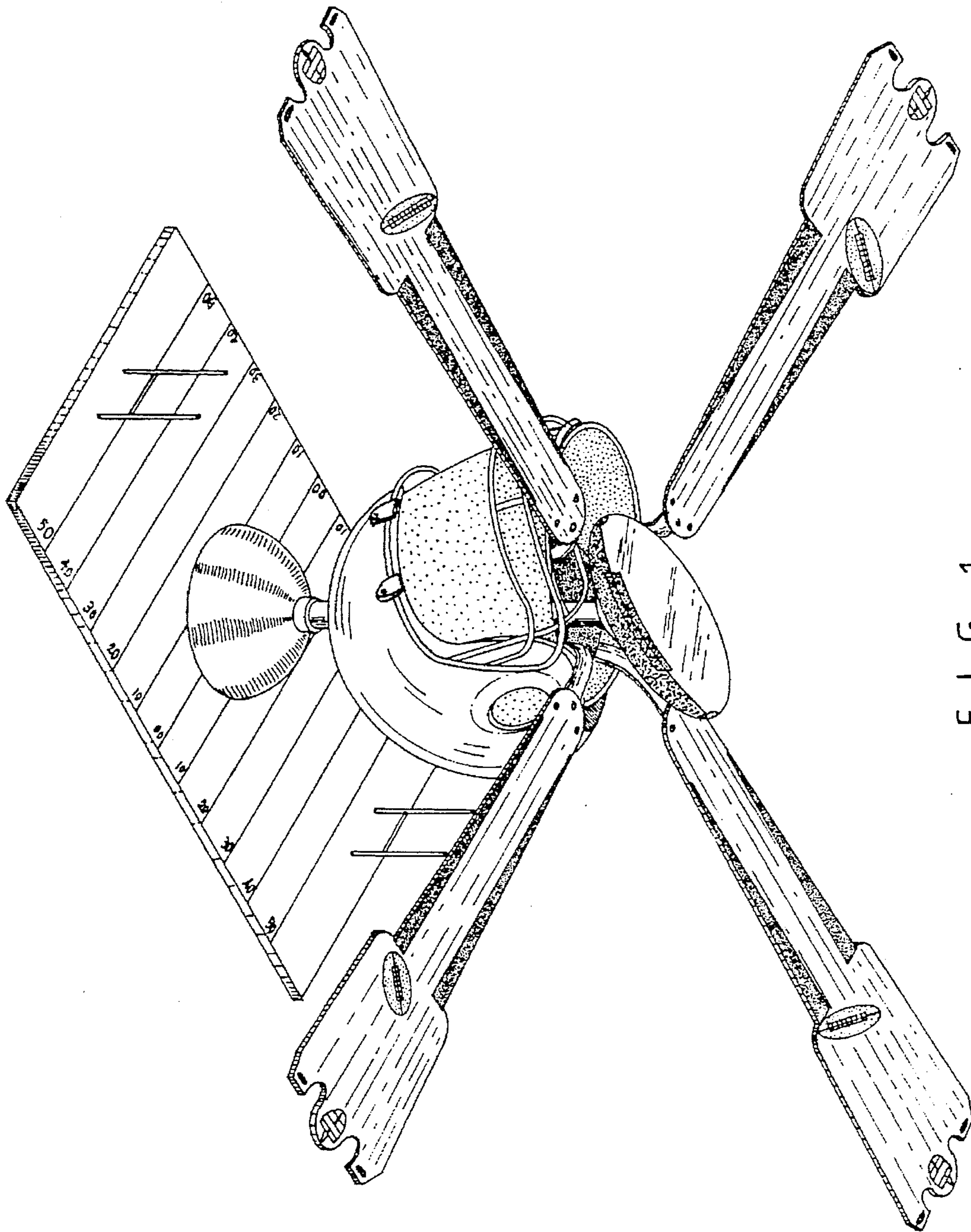


FIG. 1

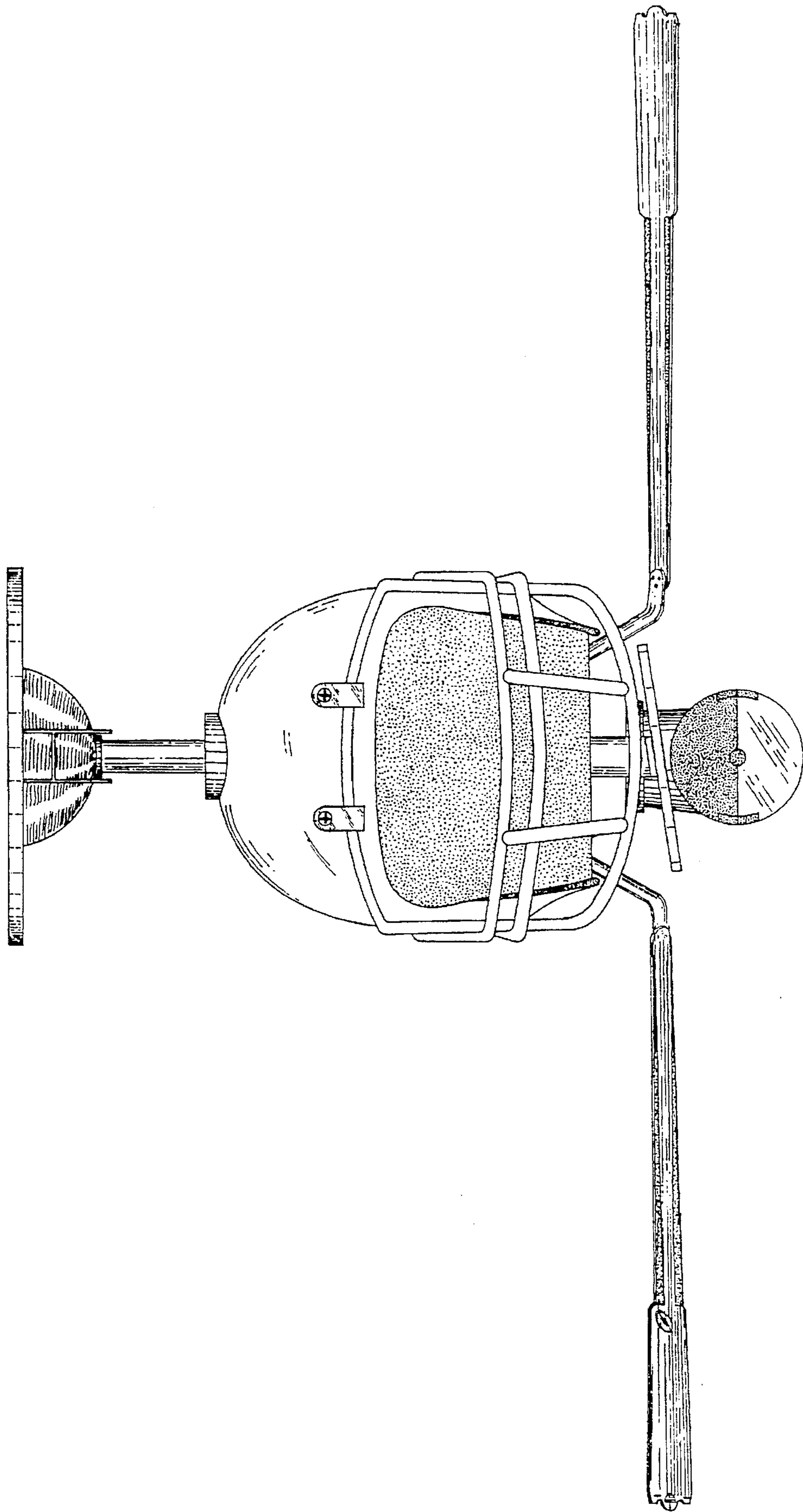


FIG. 2

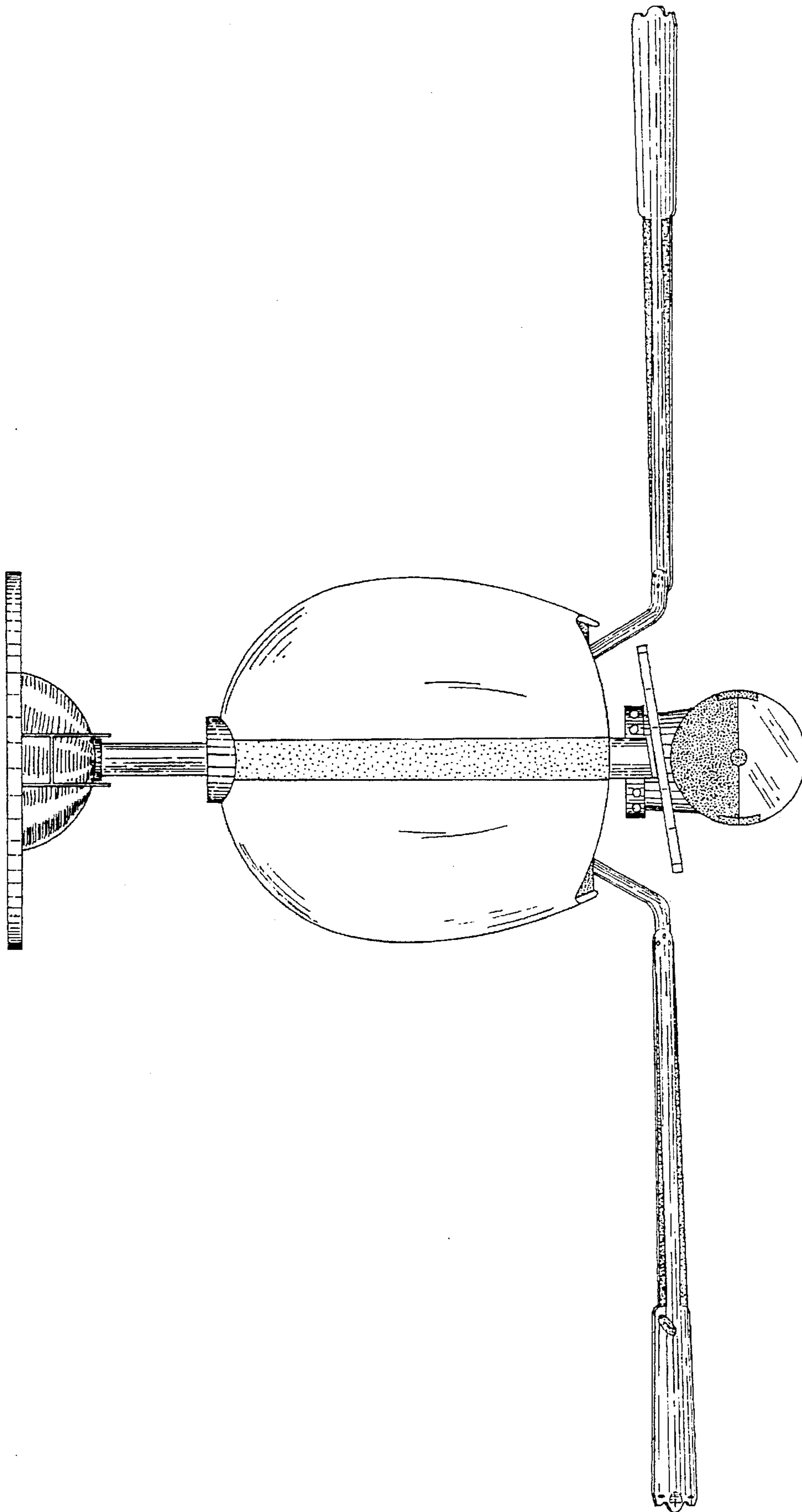


FIG. 3

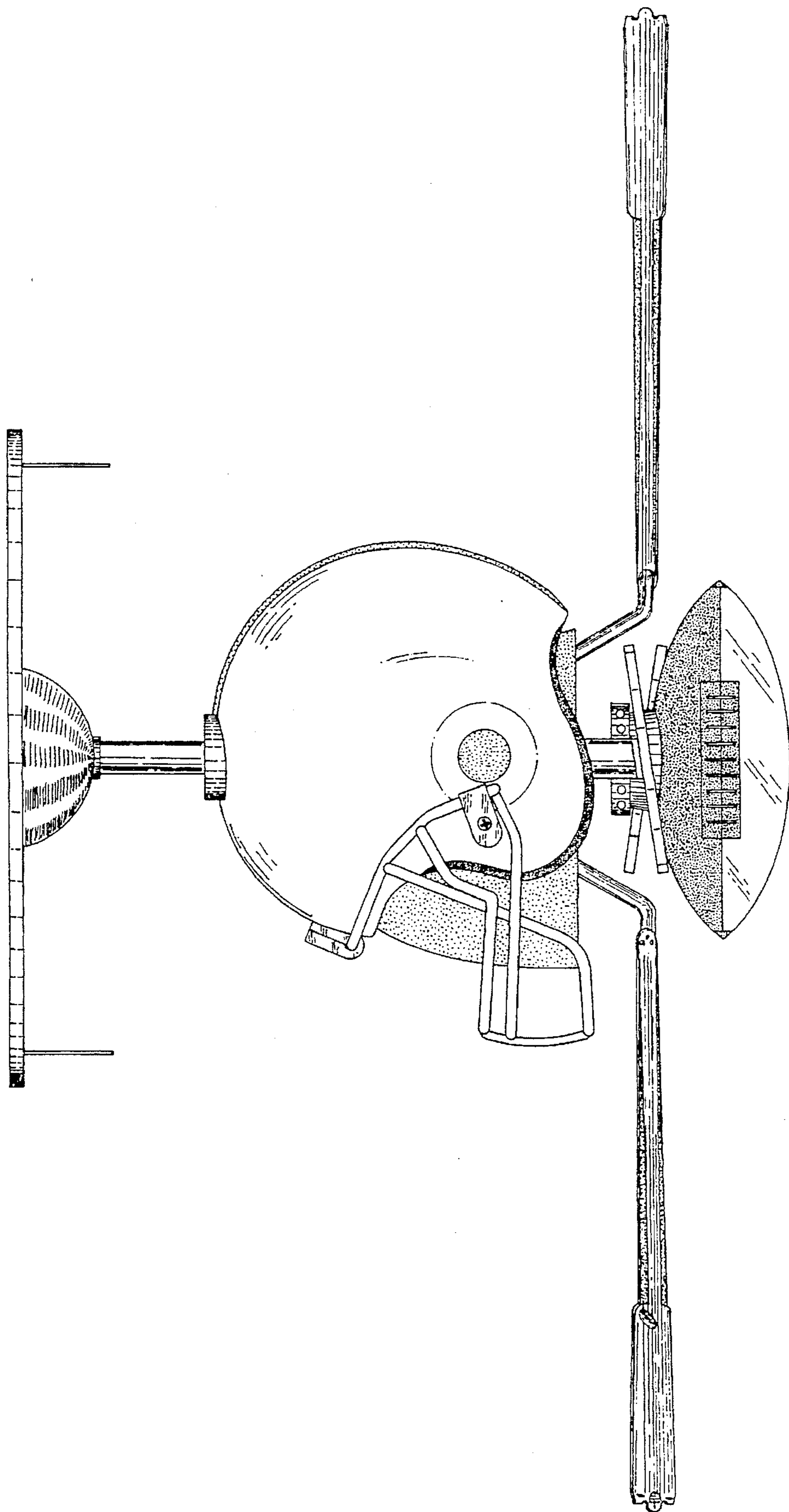


FIG. 4

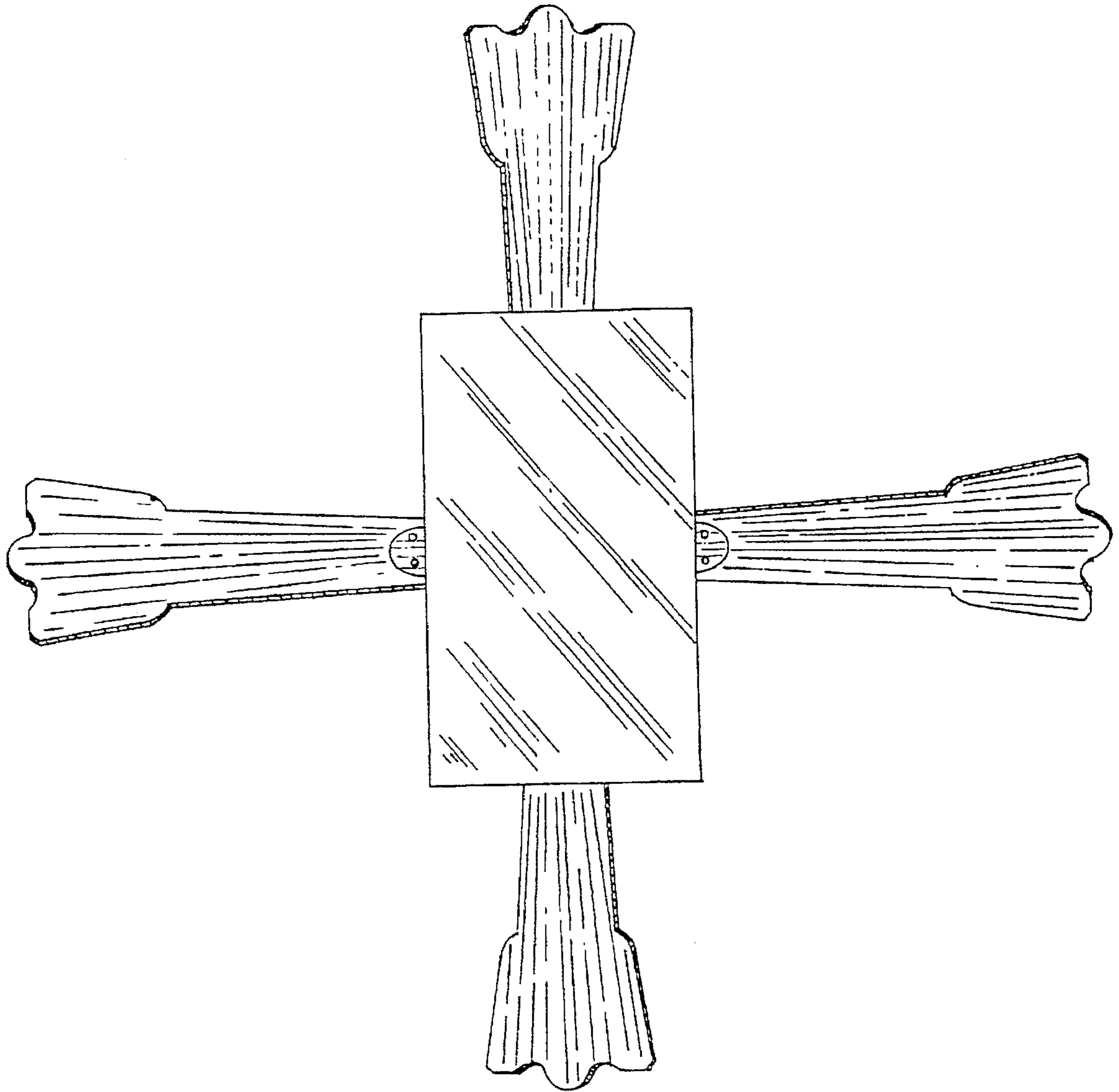


FIG. 5

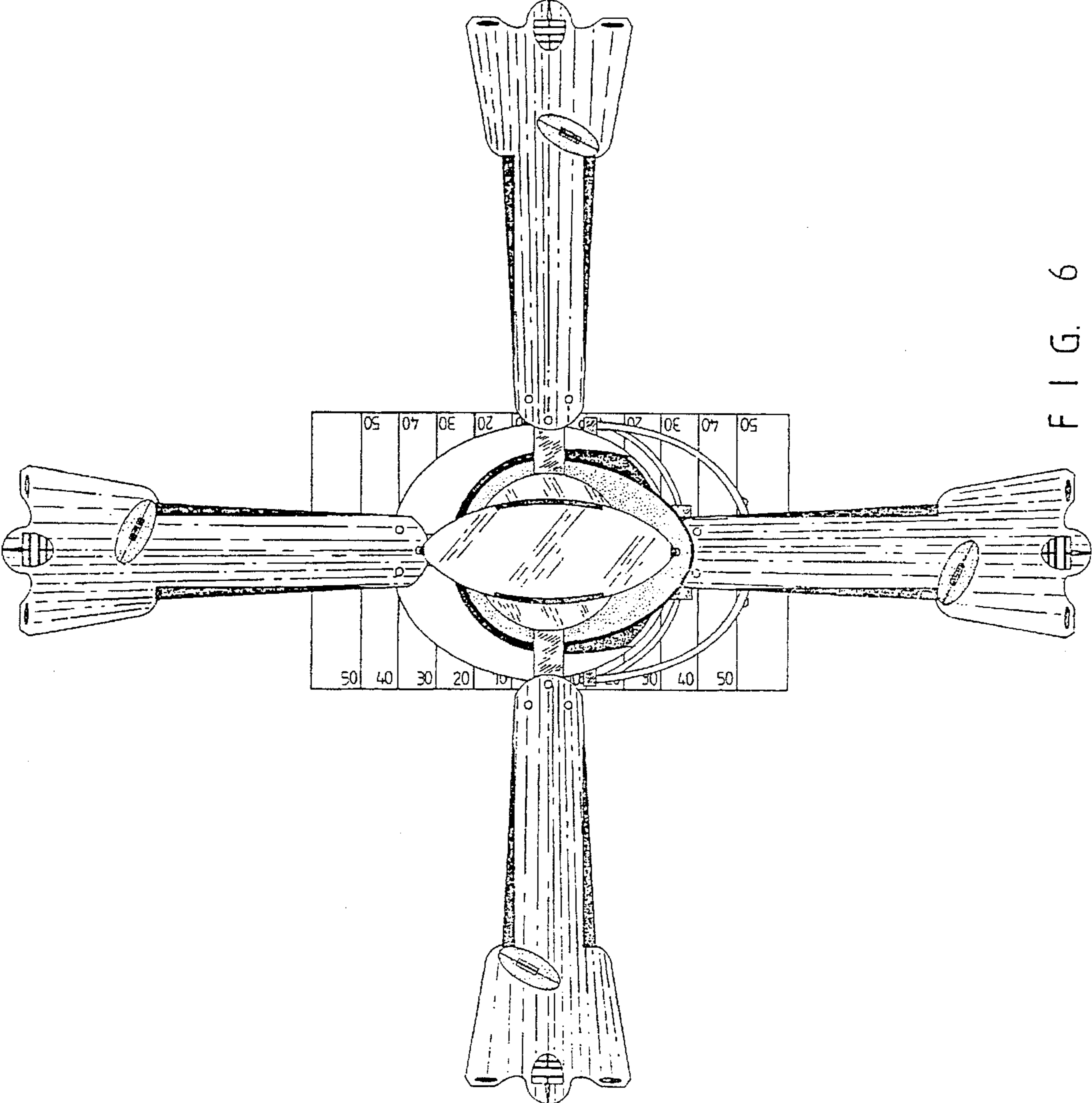


FIG. 6