



US00D382947S

United States Patent [19]

[11] Patent Number: **Des. 382,947**

Kawamura et al.

[45] Date of Patent: ****Aug. 26, 1997**

[54] **COMBINED TOILET BASIN, TOILET SEAT AND SEAT COVER**

D. 288,589 3/1987 Stairs, Jr. .
D. 288,590 3/1987 Stairs, Jr. .
D. 311,242 10/1990 Reid D23/301

[75] Inventors: **Seijiro Kawamura; Noriko Yoshii Hashida**, both of Kitakyushu, Japan

Primary Examiner—Louis S. Zarfes
Assistant Examiner—Eric Watterson
Attorney, Agent, or Firm—Finnegan, Henderson, Farabow, Garrett & Dunner, L.L.P.

[73] Assignee: **Toto Ltd.**, Japan

[**] Term: **14 Years**

[57] CLAIM

[21] Appl. No.: **48,052**

The ornamental design for a combined toilet basin, toilet seat and seat cover, as shown and described.

[22] Filed: **Dec. 19, 1995**

DESCRIPTION

Related U.S. Application Data

[62] Division of Ser. No. 25,057, Jun. 27, 1994.

[51] LOC (6) Cl. **23-02**

[52] U.S. Cl. **D23/295**

[58] Field of Search D23/295, 298,
D23/299, 300, 301; 4/353, 421, 424, 428,
430

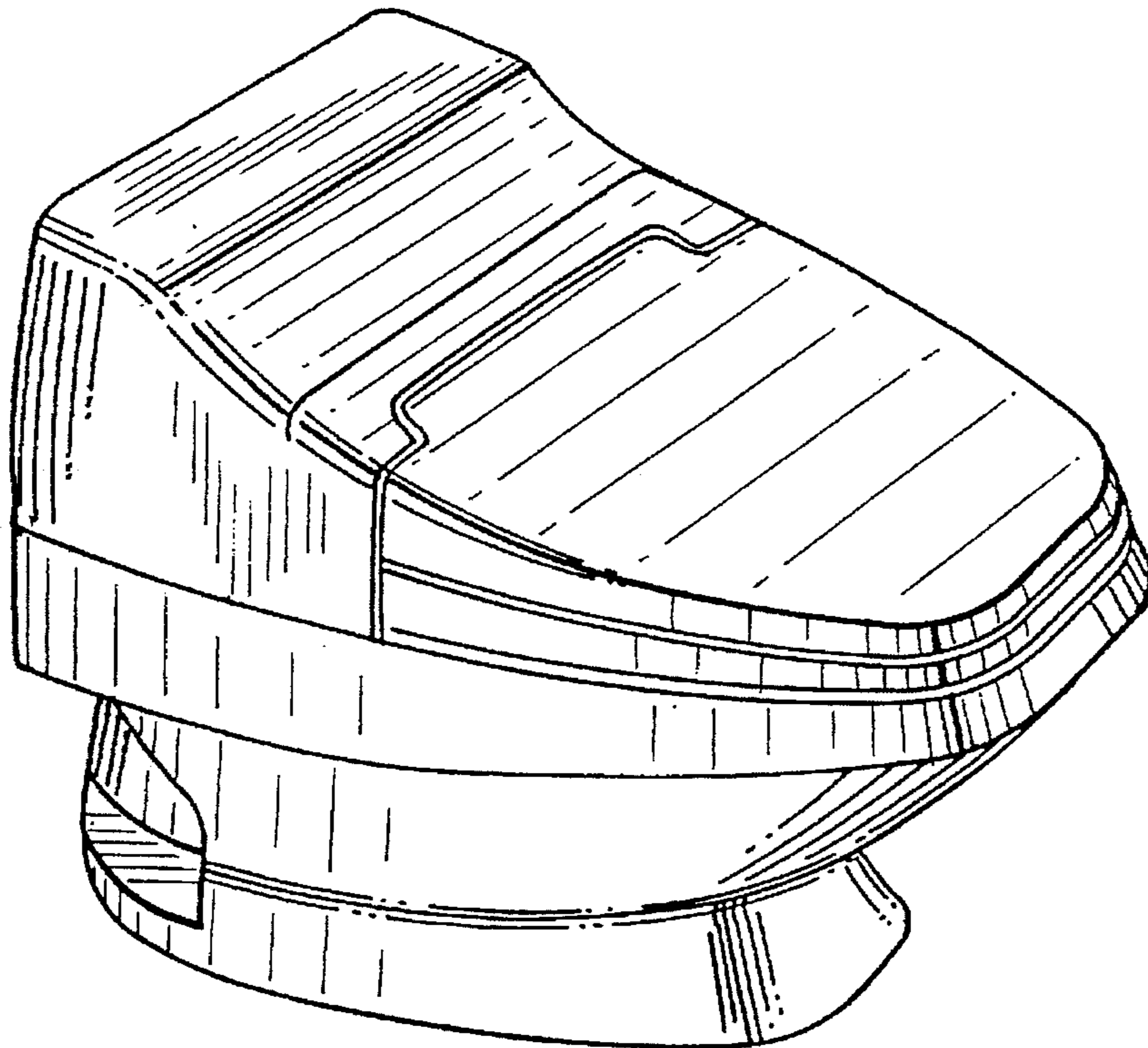
FIG. 1 is a right side elevational view of a combined toilet basin, toilet seat and seat cover embodying our design;
FIG. 2 is a rear elevational view;
FIG. 3 is a front elevational view;
FIG. 4 is a top plan view;
FIG. 5 is a bottom plan view;
FIG. 6 is a perspective view of the front and right side thereof;
FIG. 7 is a right elevational view of a second embodiment of a combined toilet basin, toilet seat and seat cover embodying our design;
FIG. 8 is a rear elevational view thereof;
FIG. 9 is a front elevational view thereof;
FIG. 10 is a top plan view thereof;
FIG. 11 is a bottom plan view thereof; and,
FIG. 12 is a perspective view of the front and right side thereof.

[56] References Cited

U.S. PATENT DOCUMENTS

D. 92,215 5/1934 Teahen D23/301
D. 195,327 6/1963 Lee D23/299
D. 233,150 10/1974 Workman D23/299
D. 250,202 11/1978 Doman et al. D23/301
D. 268,779 4/1983 Doman .
D. 275,515 9/1984 Kaiser .
D. 275,599 9/1984 Enthoven .
D. 288,588 3/1987 Stairs, Jr. .

1 Claim, 6 Drawing Sheets



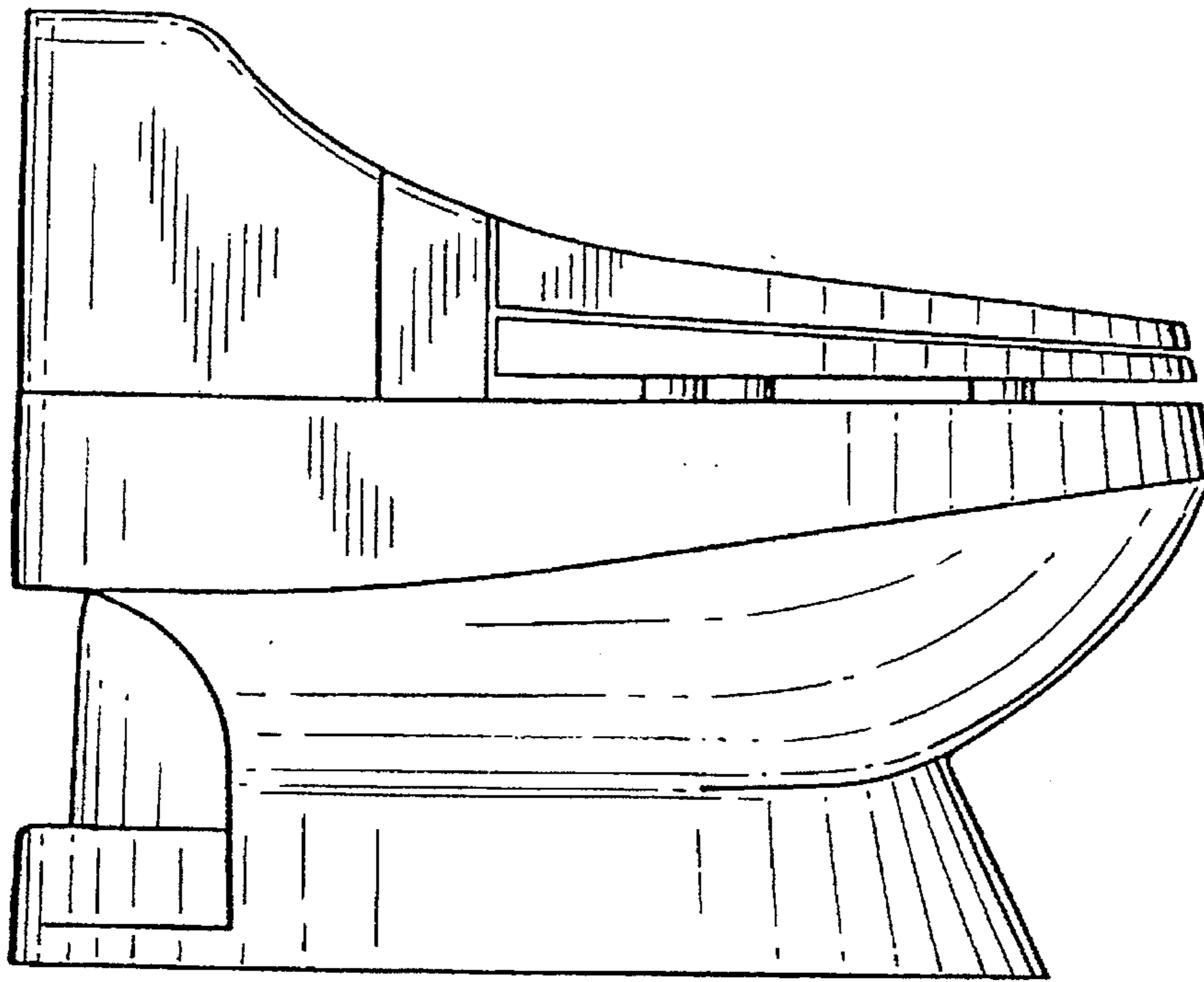


FIG. 1

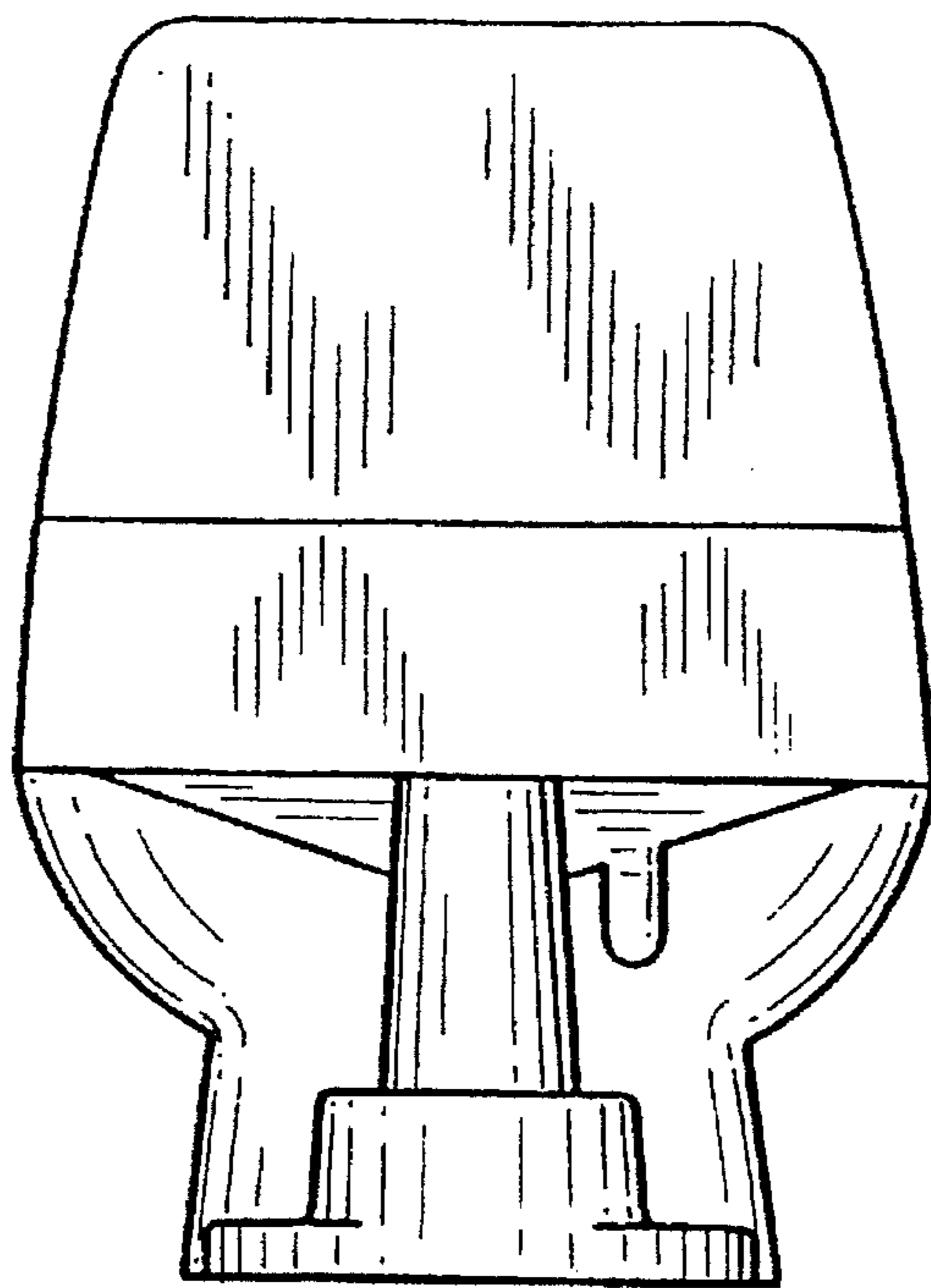


FIG. 2

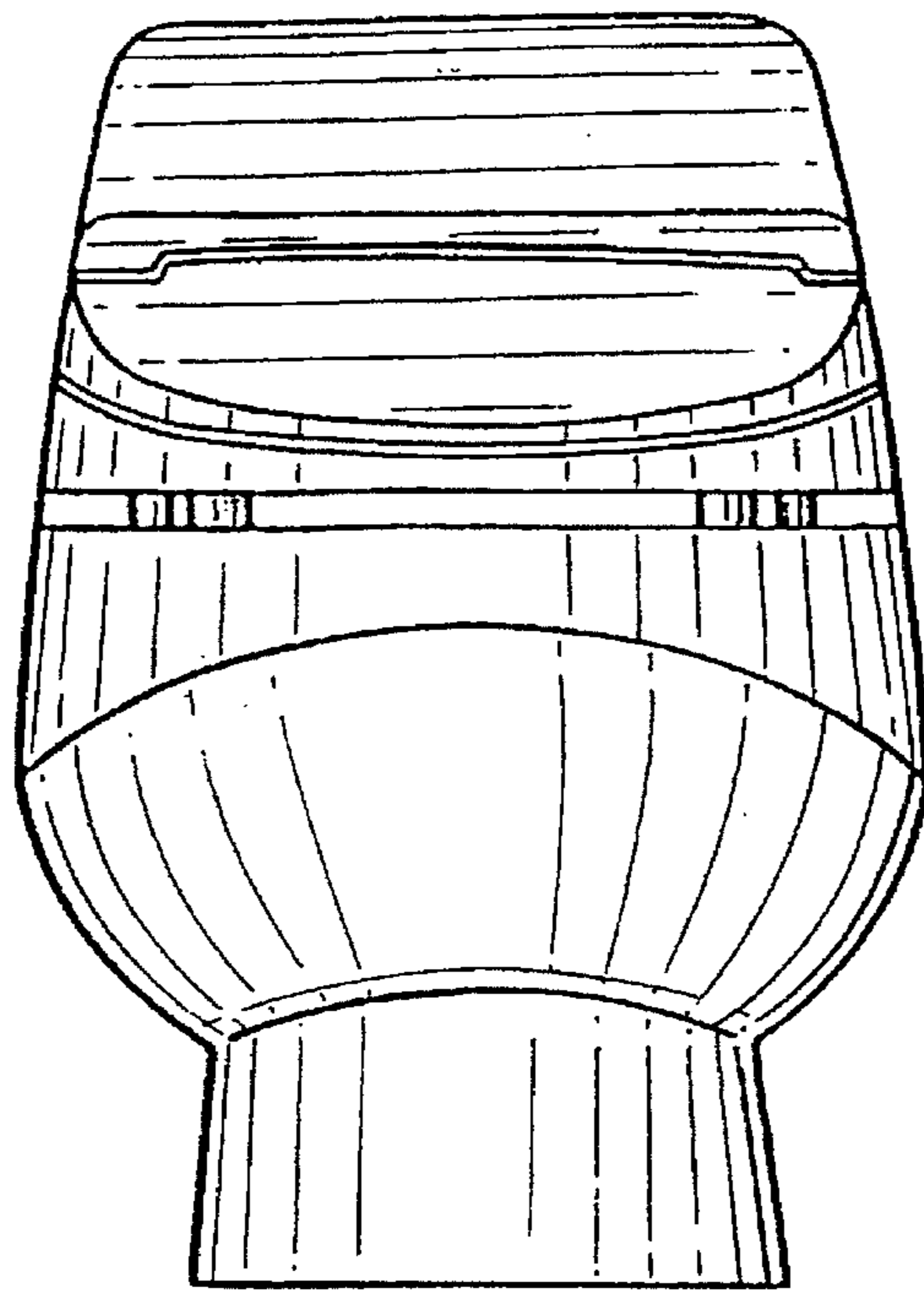


FIG. 3

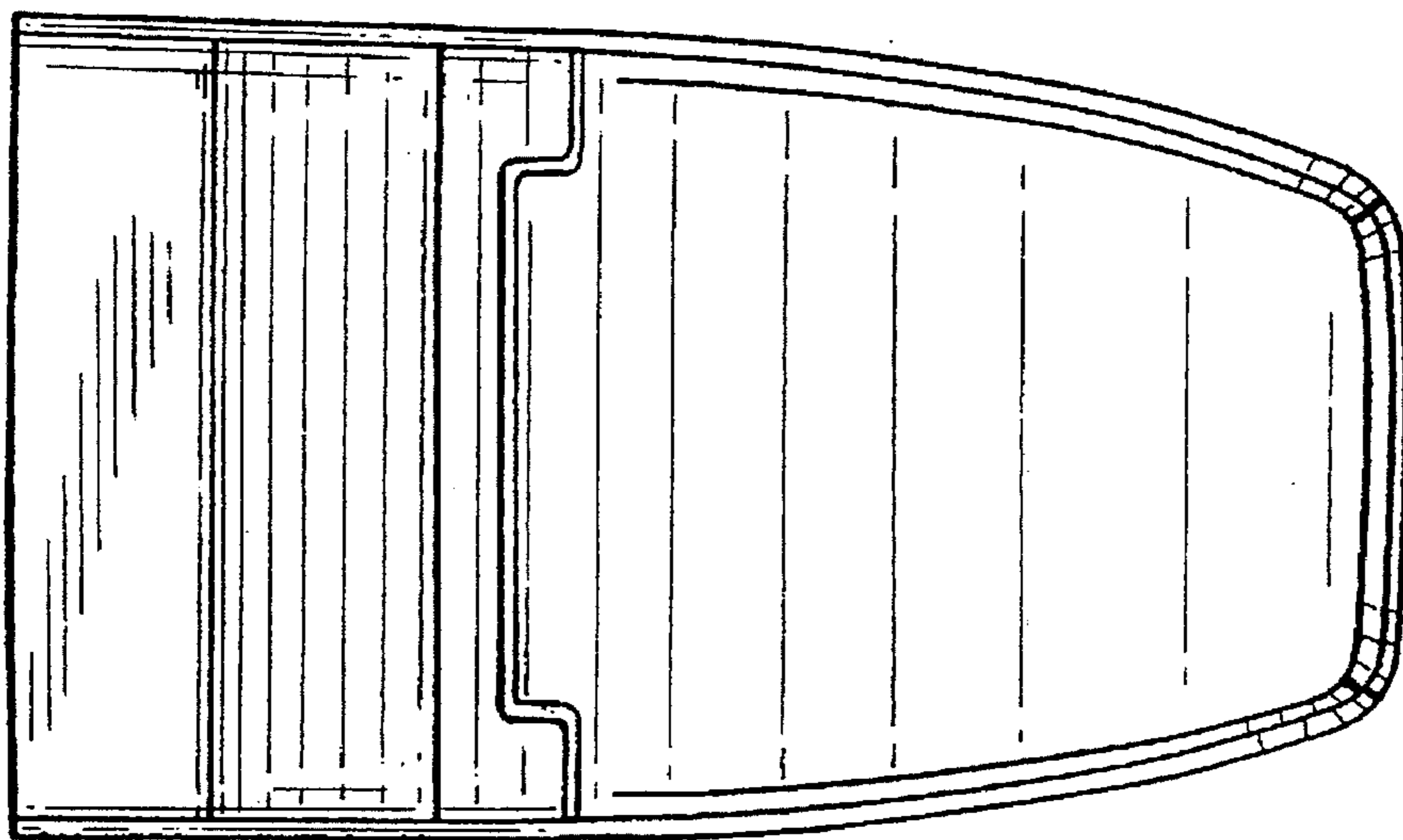


FIG. 4

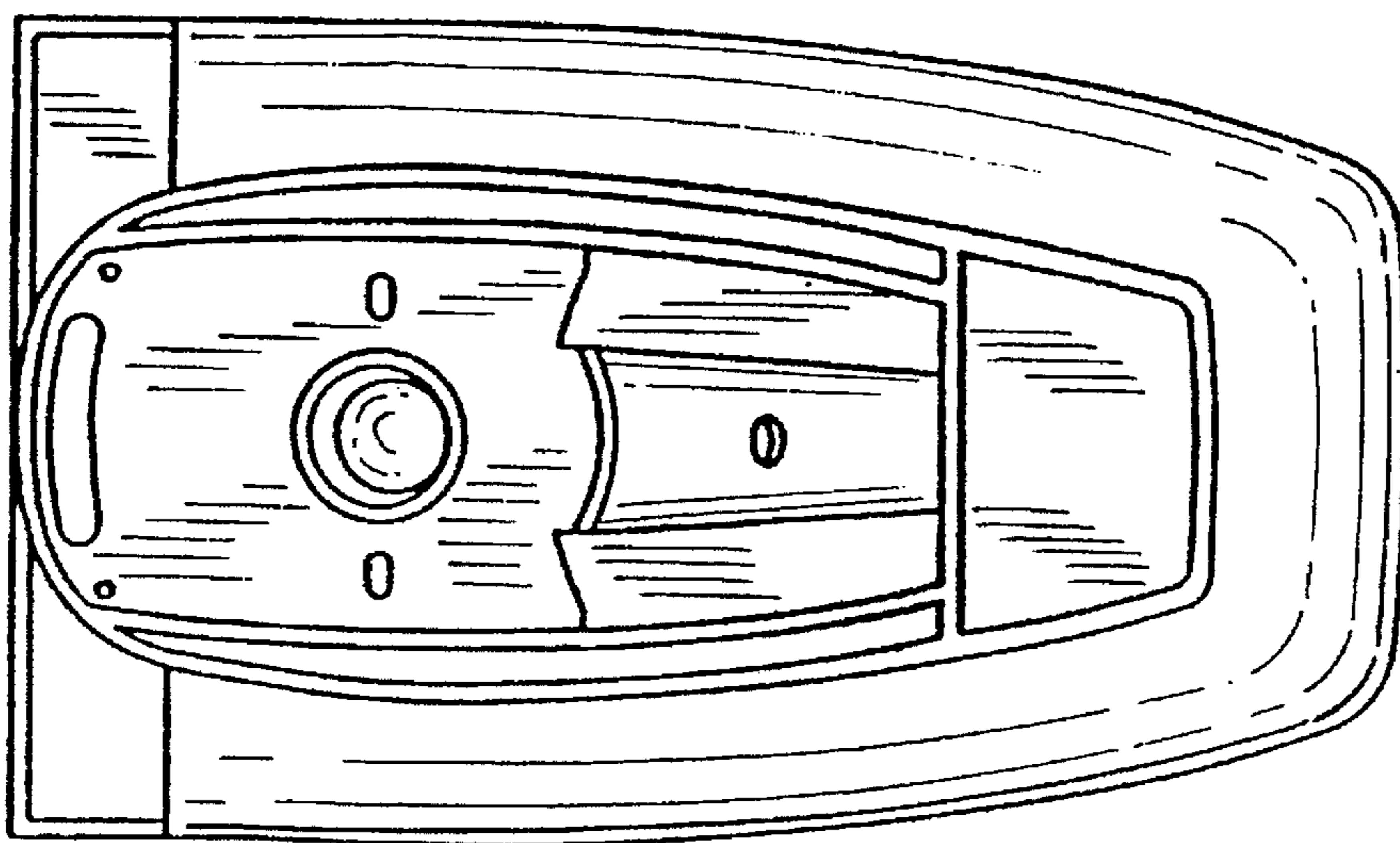


FIG. 5

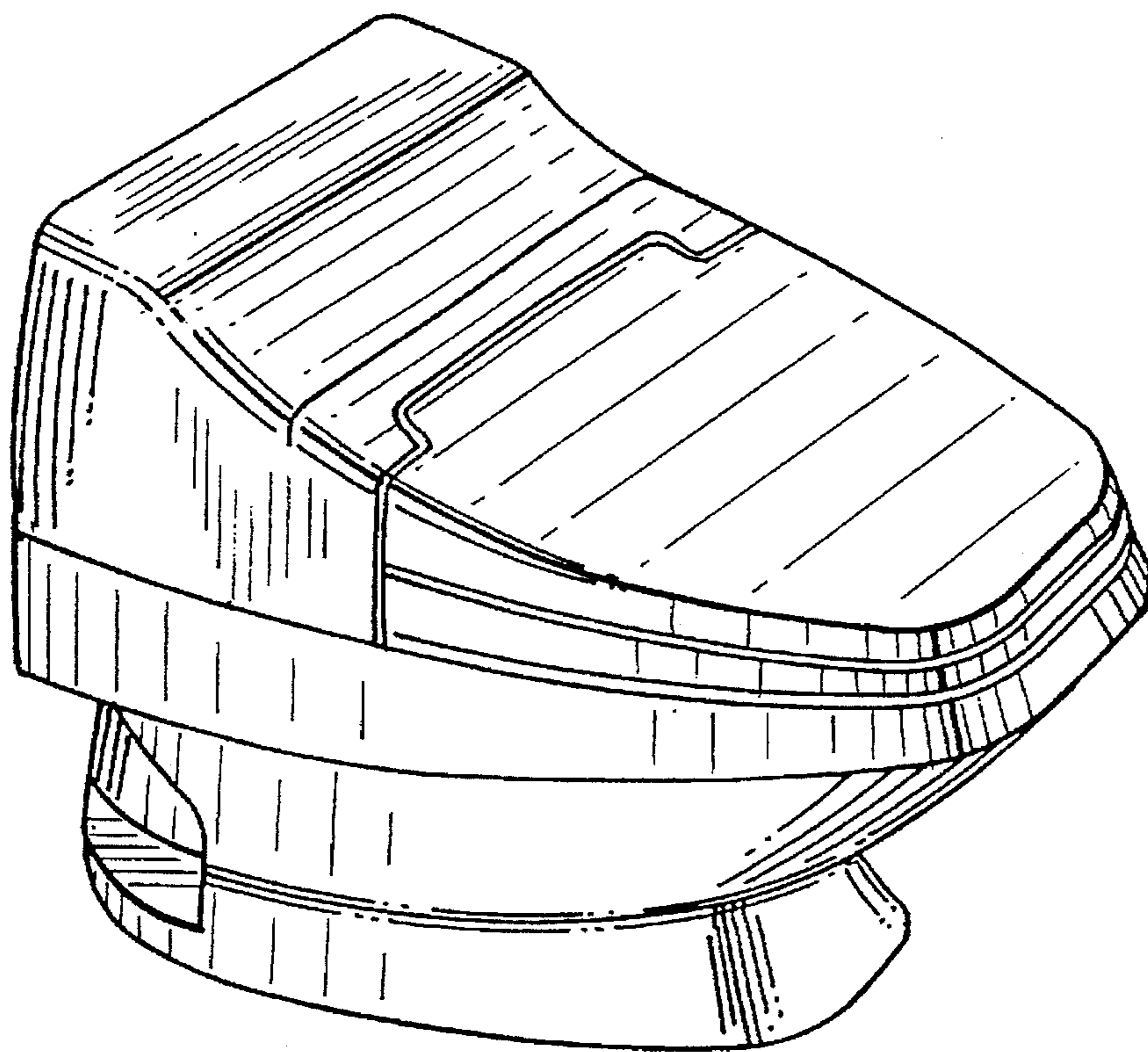


FIG. 6

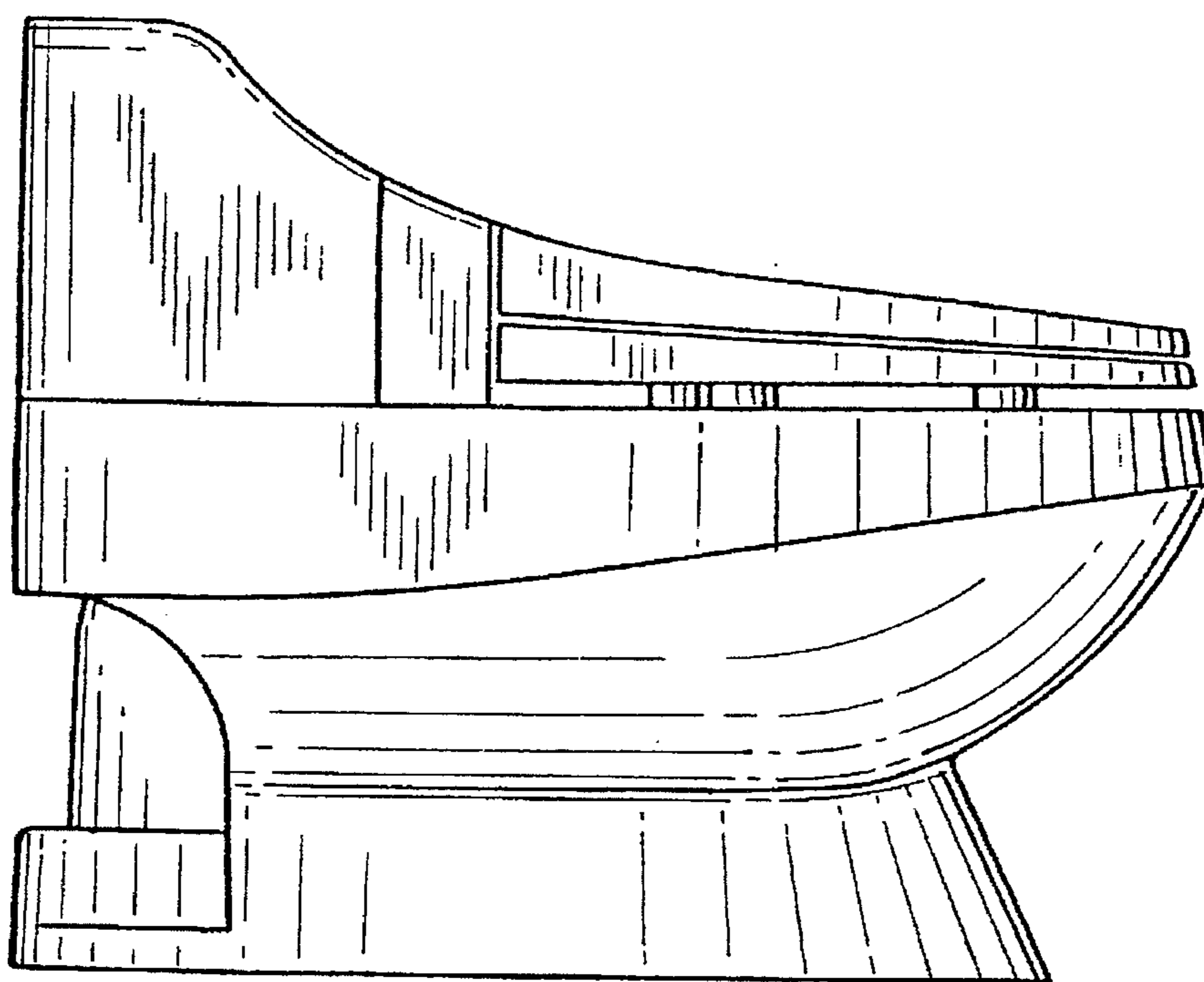


FIG. 7

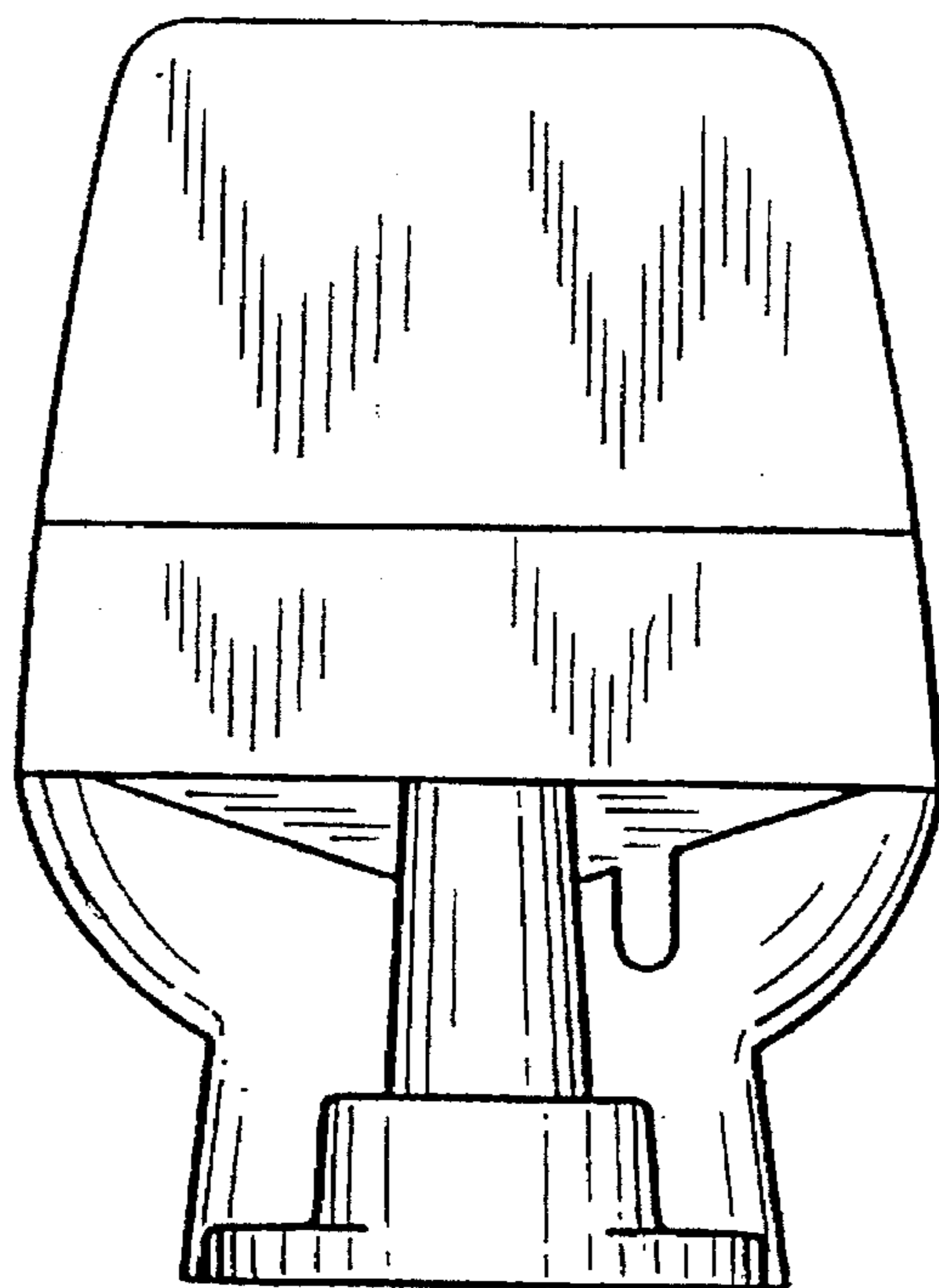


FIG. 8

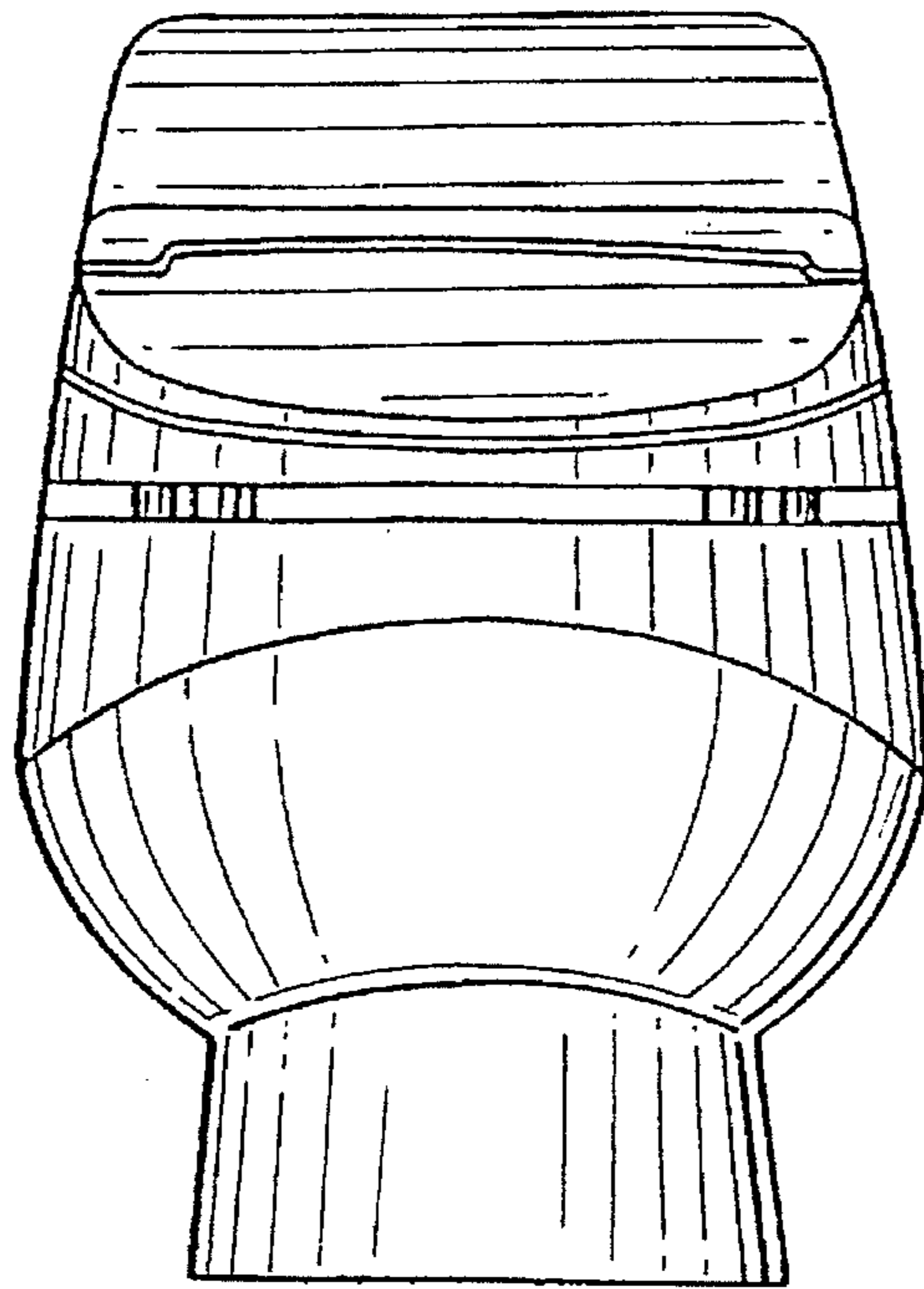


FIG. 9

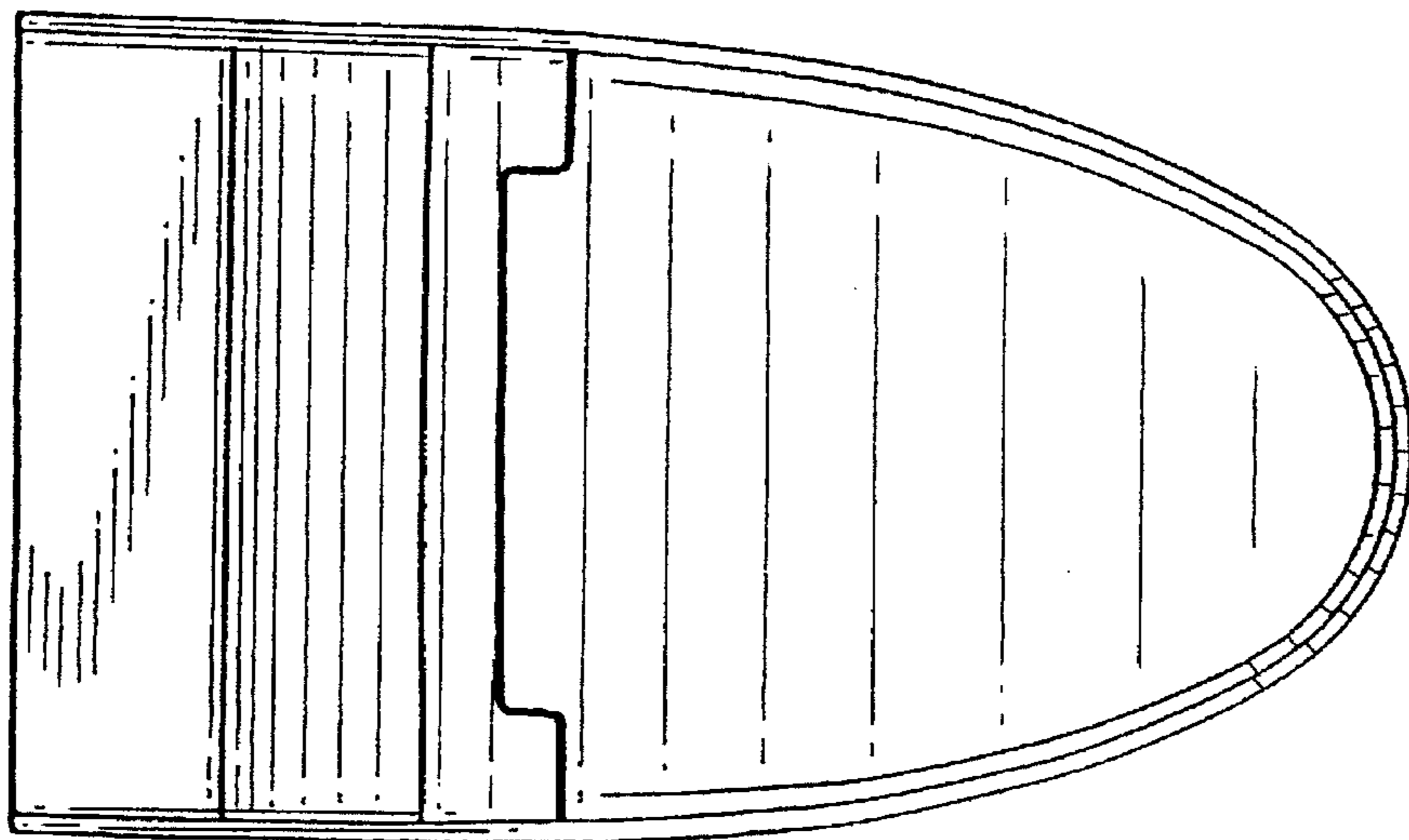


FIG. 10

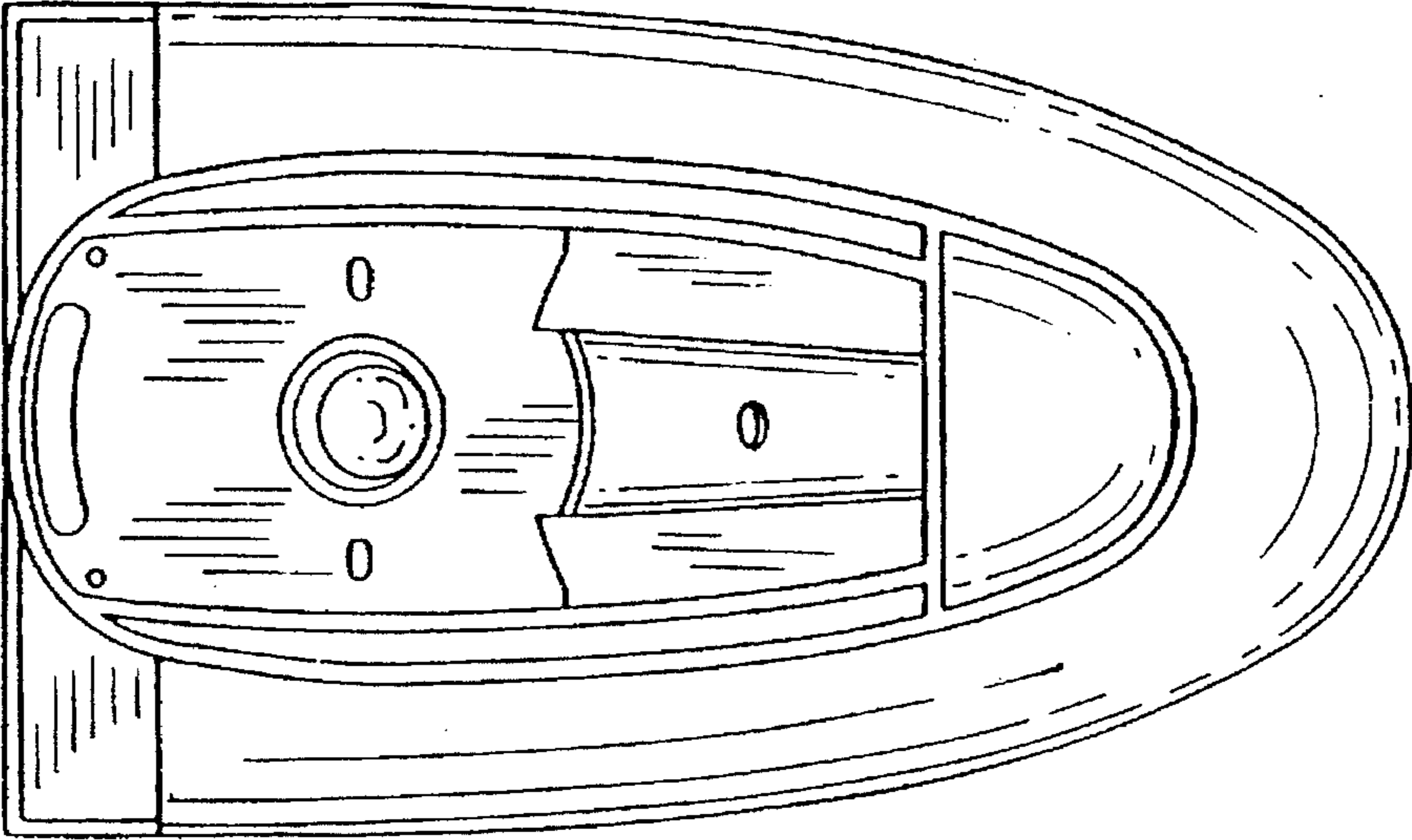


FIG. 11

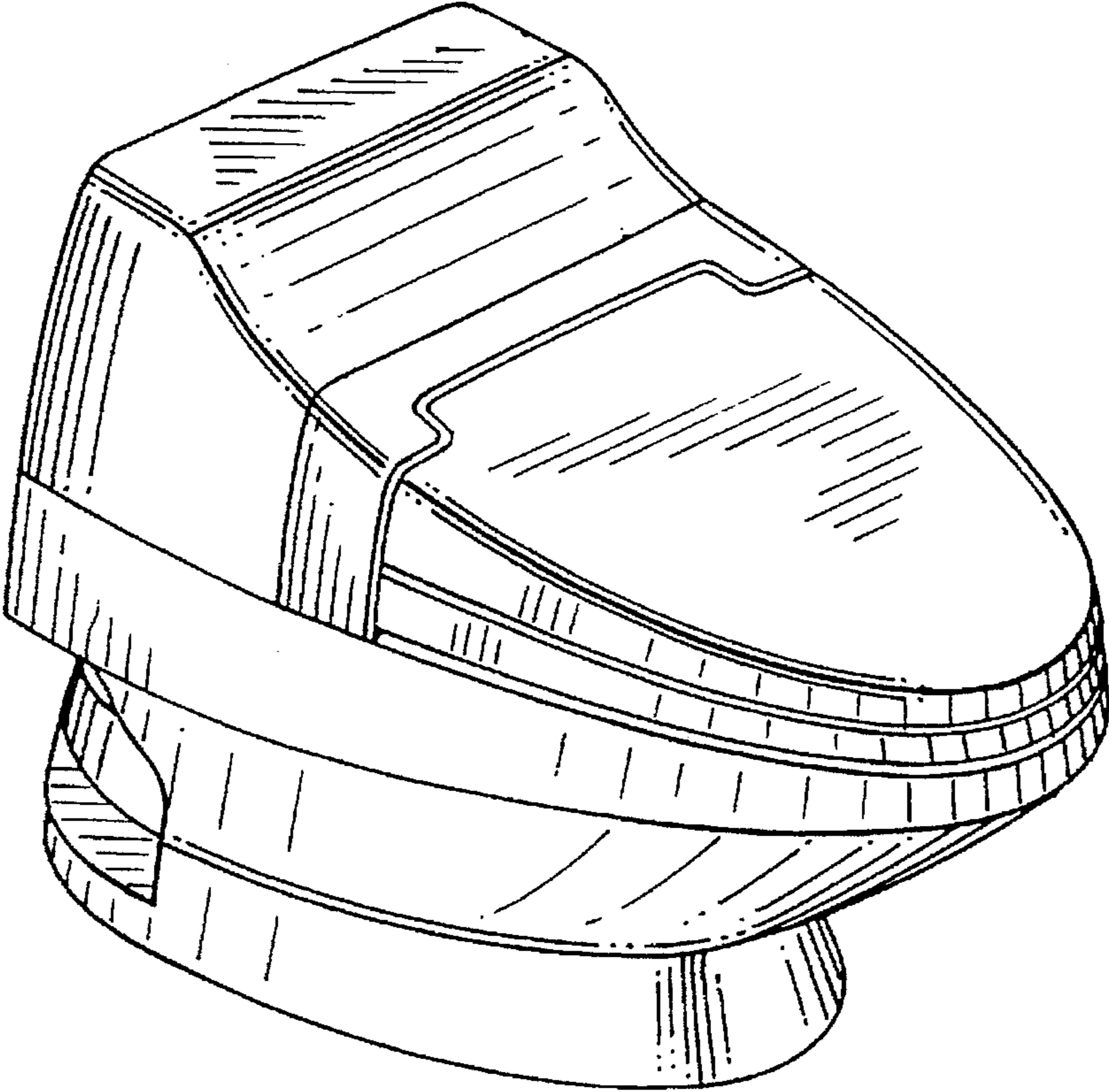


FIG. 12

UNITED STATES PATENT AND TRADEMARK OFFICE
CERTIFICATE OF CORRECTION

PATENT NO. : Des. 382,947
DATED : August 26, 1997
INVENTOR(S) : Seijiro KAWAMURA and Noriko HASHIDA

It is certified that error appears in the above-identified patent and that said Letters Patent is hereby corrected as shown below:

Title page, please add after item [62] -- Item [30]
Foreign Application Priority Data:

Japanese Patent 5-39891/92 - filed 12/28/93; and
Japanese Patent 5-39893/94 - filed 12/28/93. --.

Signed and Sealed this
Twenty-fourth Day of February, 1998

Attest:



BRUCE LEHMAN

Attesting Officer

Commissioner of Patents and Trademarks