



US00D382946S

# United States Patent [19]

[11] Patent Number: **Des. 382,946**

Kawamura et al.

[45] Date of Patent: **\*\*Aug. 26, 1997**

[54] **COMBINED TOILET BASIN, TOILET SEAT AND SEAT COVER**

[75] Inventors: **Seijiro Kawamura; Noriko Yoshii Hashida**, both of Kitakyushu, Japan

[73] Assignee: **Toto Ltd.**, Japan

[\*\*] Term: **14 Years**

[21] Appl. No.: **48,051**

[22] Filed: **Dec. 19, 1995**

### Related U.S. Application Data

[60] Division of Ser. No. 25,034, Jun. 27, 1994, Pat. No. Des. 369,400, and a continuation-in-part of Ser. No. 1,004, Oct. 30, 1992, Pat. No. Des. 354,121.

### [30] Foreign Application Priority Data

Dec. 28, 1993 [JP] Japan ..... 5-39883/84/85  
Dec. 28, 1993 [JP] Japan ..... 5-39886/87/89

[51] LOC (6) Cl. .... **23-02**

[52] U.S. Cl. .... **D23/295**

[58] Field of Search ..... D23/295, 298, D23/299, 300, 301; 4/353, 421, 424, 428, 430

### [56] References Cited

#### U.S. PATENT DOCUMENTS

D. 92,215 5/1934 Teahen ..... D23/301

D. 195,327 6/1963 Lee ..... D23/299  
D. 233,150 10/1974 Workman ..... D23/299  
D. 250,202 11/1978 Doman et al. .... D23/301  
D. 268,779 4/1983 Doman .  
D. 275,515 9/1984 Kaiser .  
D. 275,599 9/1984 Enthoven .  
D. 288,588 3/1987 Stairs, Jr. .  
D. 288,589 3/1987 Stairs, Jr. .  
D. 288,590 3/1987 Stairs, Jr. .  
D. 311,242 10/1990 Reid ..... D23/301

*Primary Examiner*—Stella Reid  
*Assistant Examiner*—E. Watterson  
*Attorney, Agent, or Firm*—Finnegan, Henderson, Farabow, Garrett & Dunner, L.L.P.

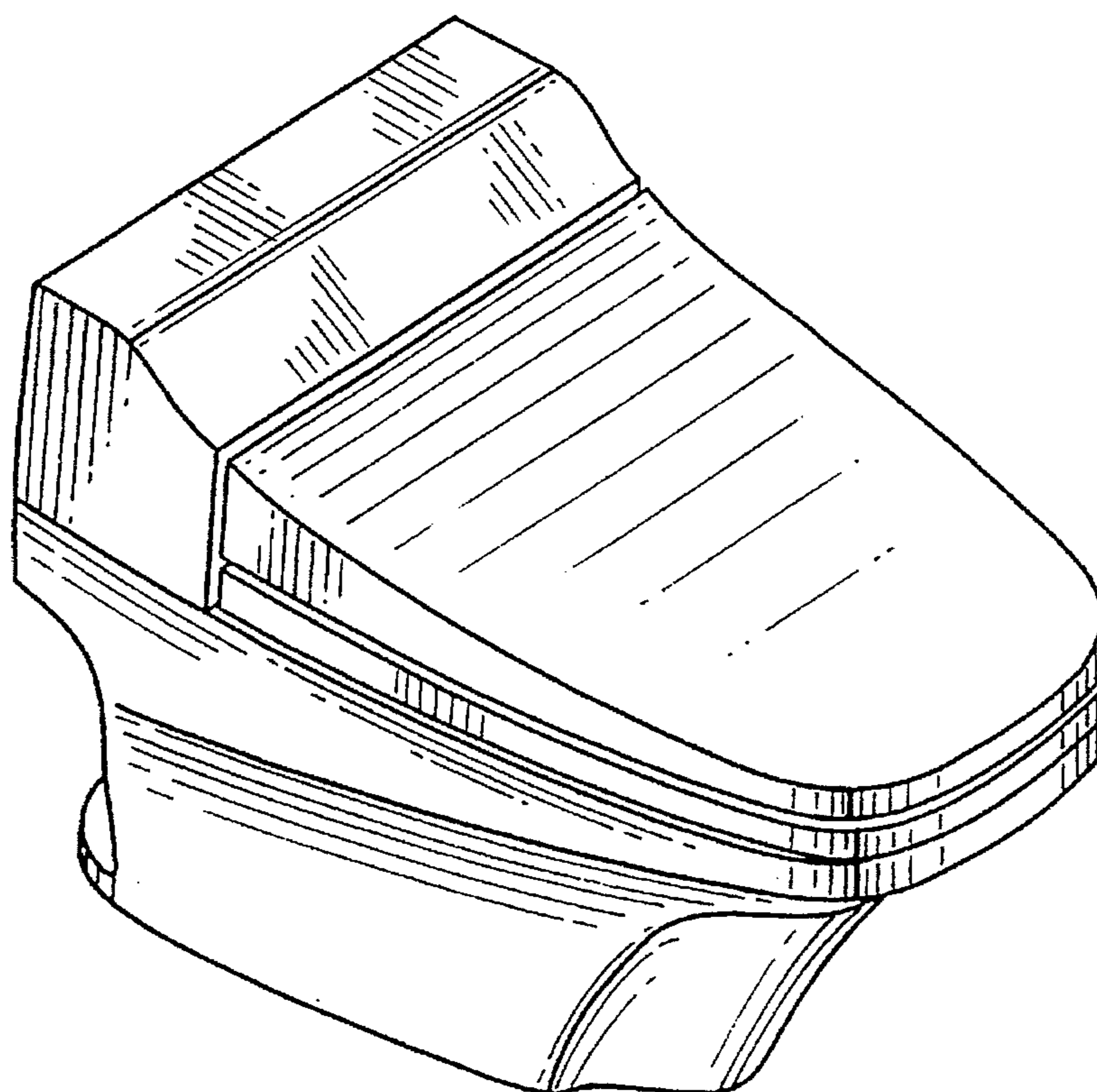
### [57] CLAIM

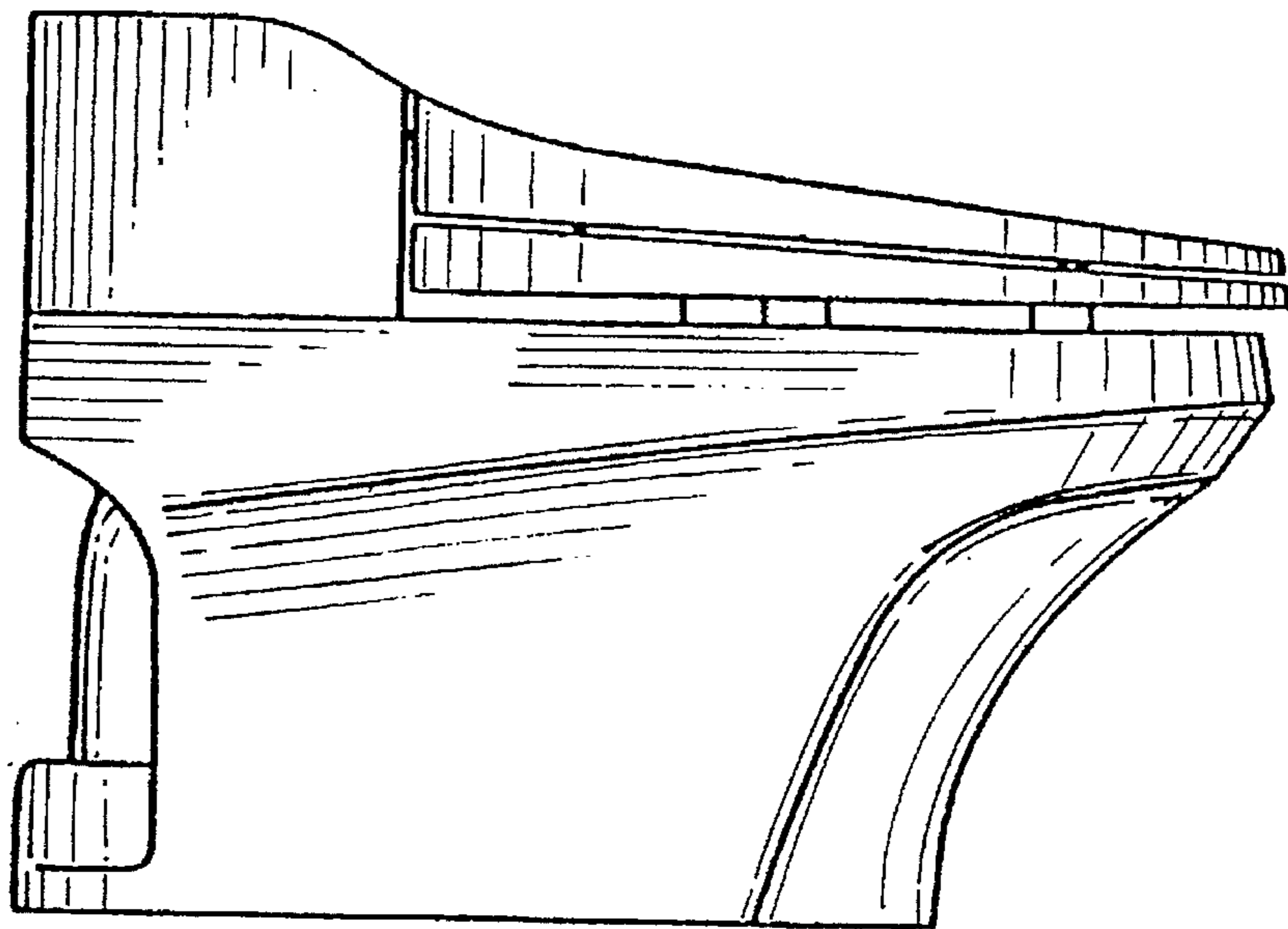
The ornamental design for a combined toilet basin, toilet seat and seat cover, as shown and described.

### DESCRIPTION

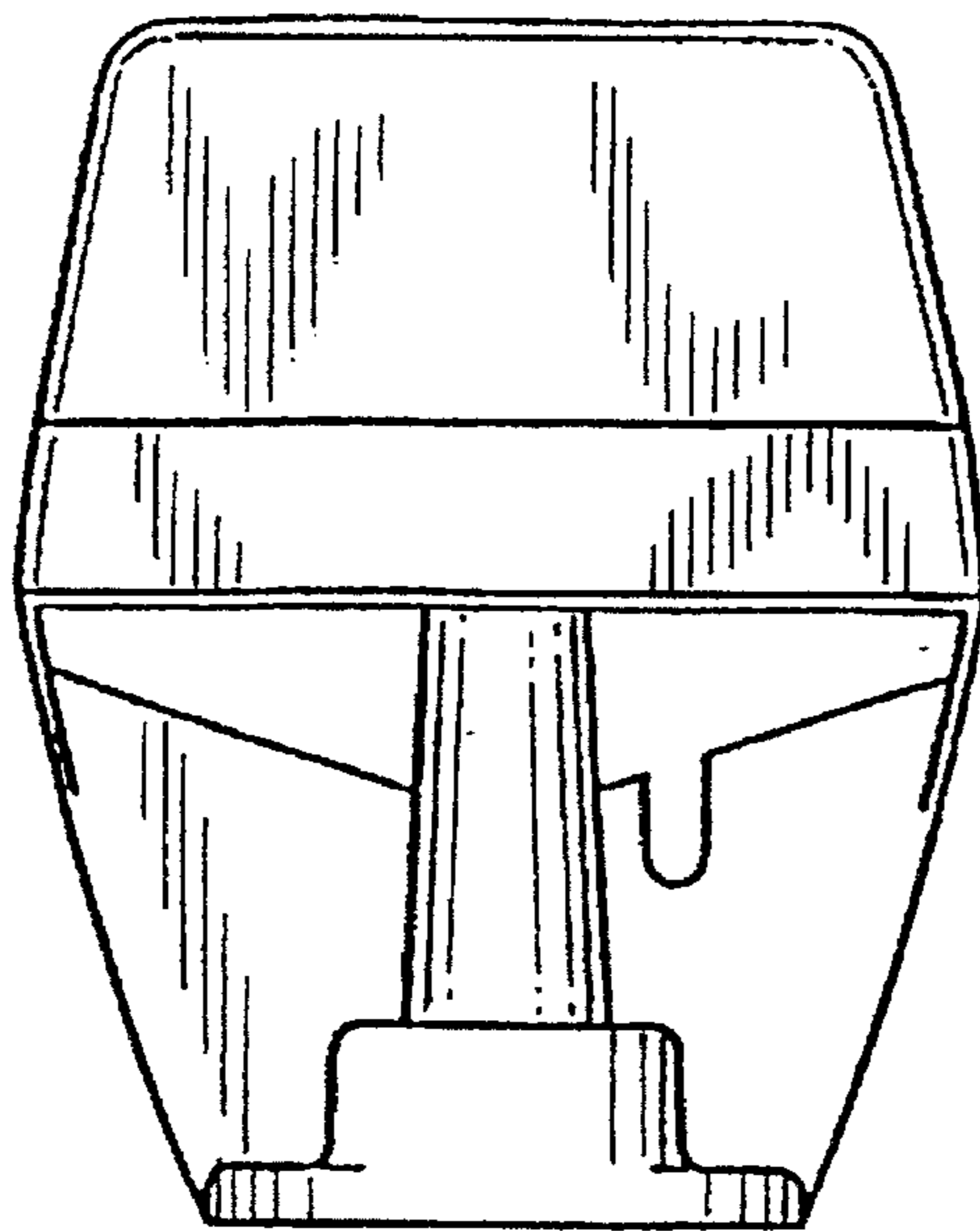
FIG. 1 is a right side elevational view of a combined toilet basin, toilet seat, and seat cover showing my new design, the opposite side being a mirror image;  
FIG. 2 is a rear elevational view;  
FIG. 3 is a front elevational view;  
FIG. 4 is a top plan view;  
FIG. 5 is a bottom plan view; and,  
FIG. 6 is a perspective view of the front and right side thereof.

**1 Claim, 3 Drawing Sheets**





*FIG. 1*



*FIG. 2*

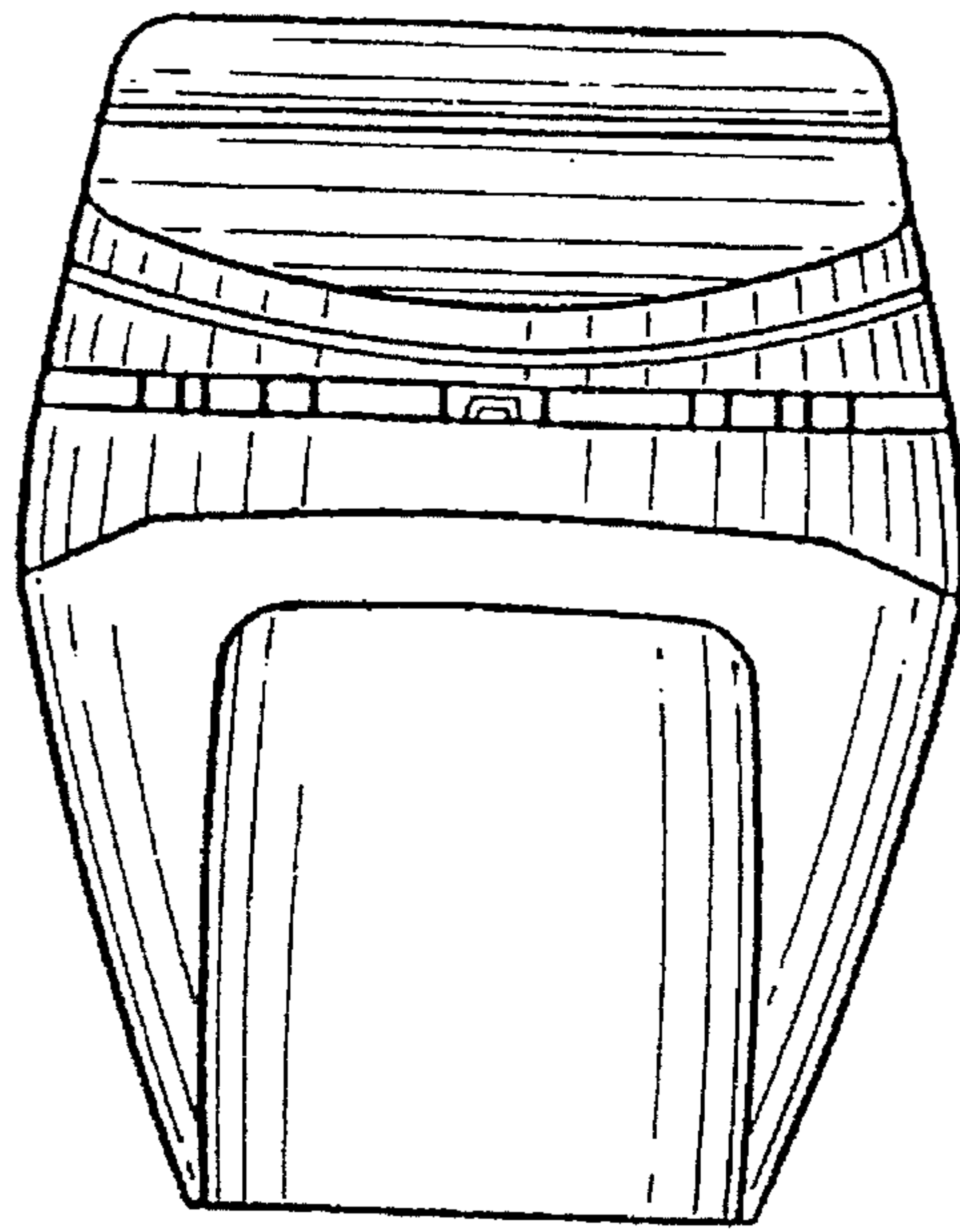


FIG. 3

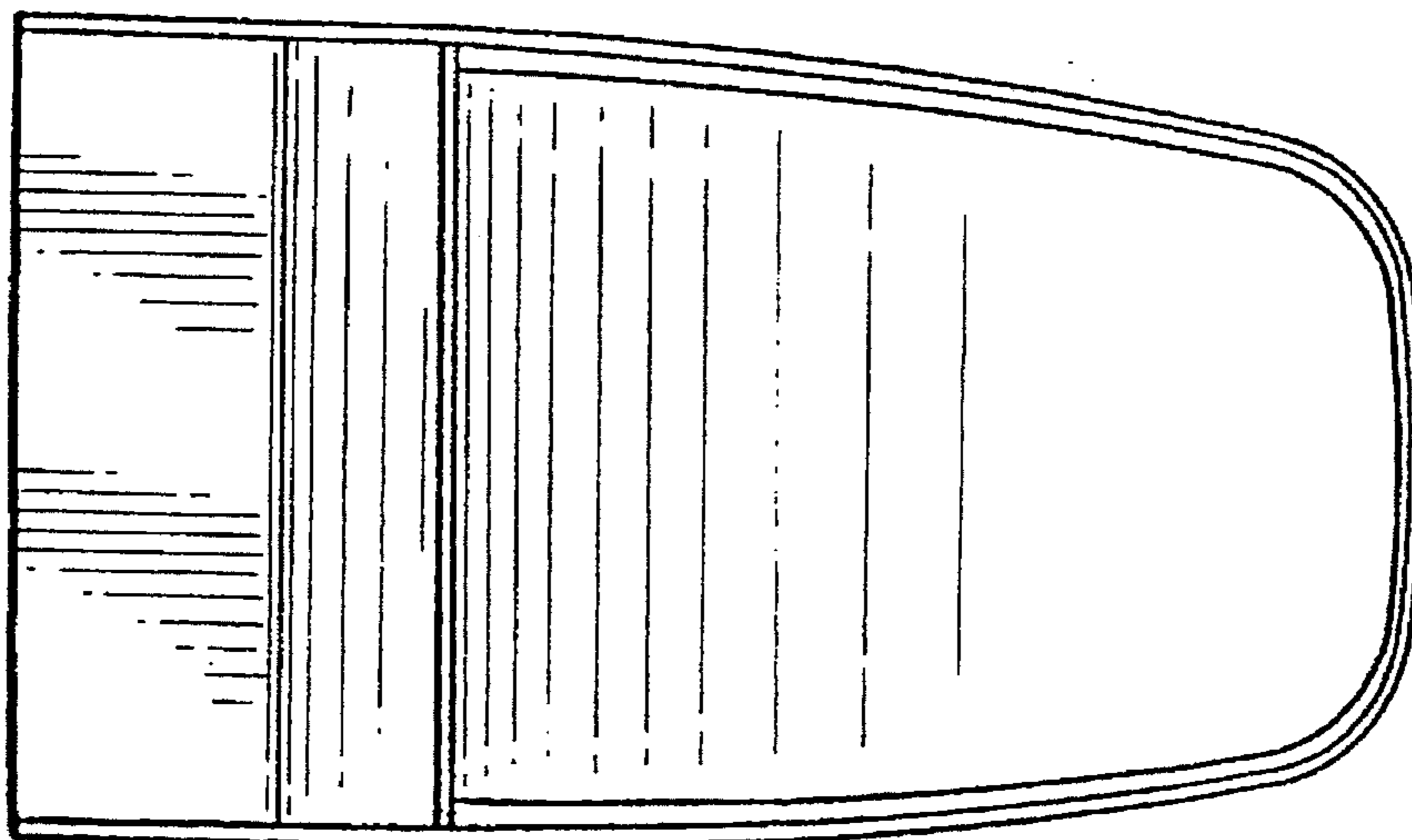


FIG. 4

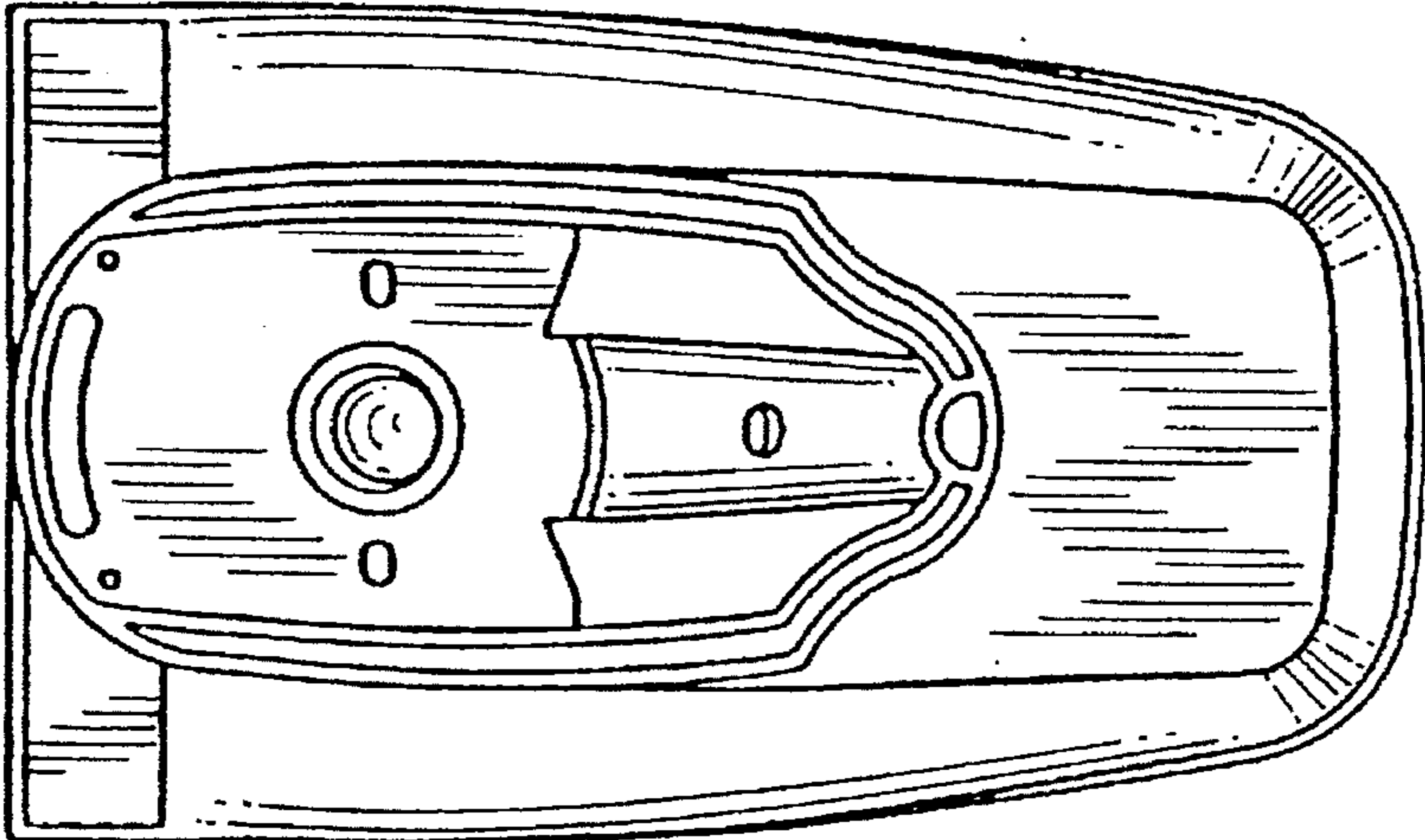


FIG. 5

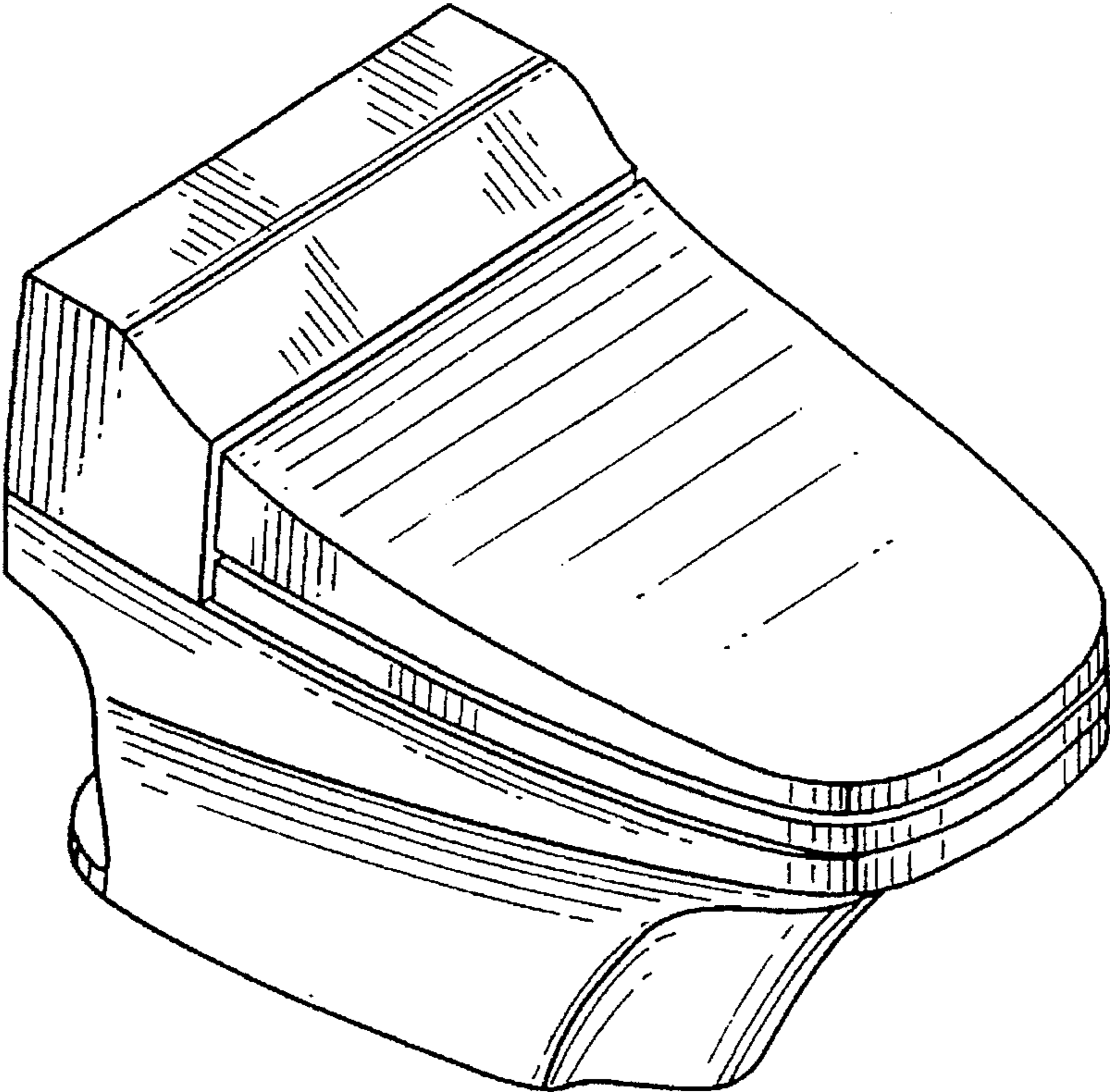


FIG. 6