



US00D382945S

United States Patent [19]

[11] Patent Number: **Des. 382,945**

Hansen et al.

[45] Date of Patent: ****Aug. 26, 1997**

[54] SPA TUB

[75] Inventors: **Borg Hansen**, Long Beach; **Rafael Gonzalez**, Palmdale; **Roc V. Fleishman**, Venice, all of Calif.

[73] Assignee: **Softub, Inc.**, Chatsworth, Calif.

[**] Term: **14 Years**

[21] Appl. No.: **30,150**

[22] Filed: **Nov. 7, 1994**

[51] LOC (6) Cl. **23-02**

[52] U.S. Cl. **D23/277**

[58] Field of Search D23/277, 280.1-280.4; D24/201, 202, 205, 204; 4/538, 539, 540, 541.1-541.6, 584, 585, 588

[56] **References Cited**

U.S. PATENT DOCUMENTS

- D. 51,506 11/1917 Miyahora D23/280.1
- D. 252,042 6/1979 Jucuzzi et al. D24/204
- D. 264,129 4/1982 Tulipani D24/205
- D. 274,455 6/1984 Cuttriss D23/280.1
- D. 293,363 12/1987 Everard D23/277
- 2,733,711 2/1956 Gibson 4/541.4 X
- 2,734,459 2/1956 Zimsky .
- 3,300,355 1/1967 Adans .
- 3,337,384 8/1967 Wright .
- 3,720,964 3/1973 Thomson .
- 3,734,811 5/1973 Small et al. .
- 3,772,714 11/1973 Sealby et al. 4/541.5 X

- 3,923,573 12/1975 Hay .
- 3,943,580 3/1976 Carter .
- 3,970,210 7/1976 Katsuta .
- 4,118,814 10/1978 Holtom .
- 4,349,434 9/1982 Jaworski .
- 4,546,900 10/1985 Lackey .
- 4,564,962 1/1986 Castleberry et al. .
- 4,579,617 4/1986 Oberg et al. .
- 4,699,288 10/1987 Mohan .
- 4,843,659 7/1989 Popovich et al. .
- 4,858,254 8/1989 Popovich et al. .
- 4,981,548 1/1991 Popovich et al. .
- 5,092,951 3/1992 Popovich et al. .

FOREIGN PATENT DOCUMENTS

- 0904763 8/1962 United Kingdom .
- 1381723 1/1975 United Kingdom .

Primary Examiner—Stella Reid
Assistant Examiner—Eric Watterson
Attorney, Agent, or Firm—William W. Haefliger

[57] **CLAIM**

The ornamental design for a spa tub, as shown and described.

DESCRIPTION

FIG. 1 is a perspective view showing the top and front of the spa tub, the rear and left and right sides being the same; FIG. 2 is a top plan view of the spa tub of FIG. 1; and, FIG. 3 is an elevation view of the front of the FIG. 1 spa tub, the rear and left and right sides being the same.

1 Claim, 2 Drawing Sheets

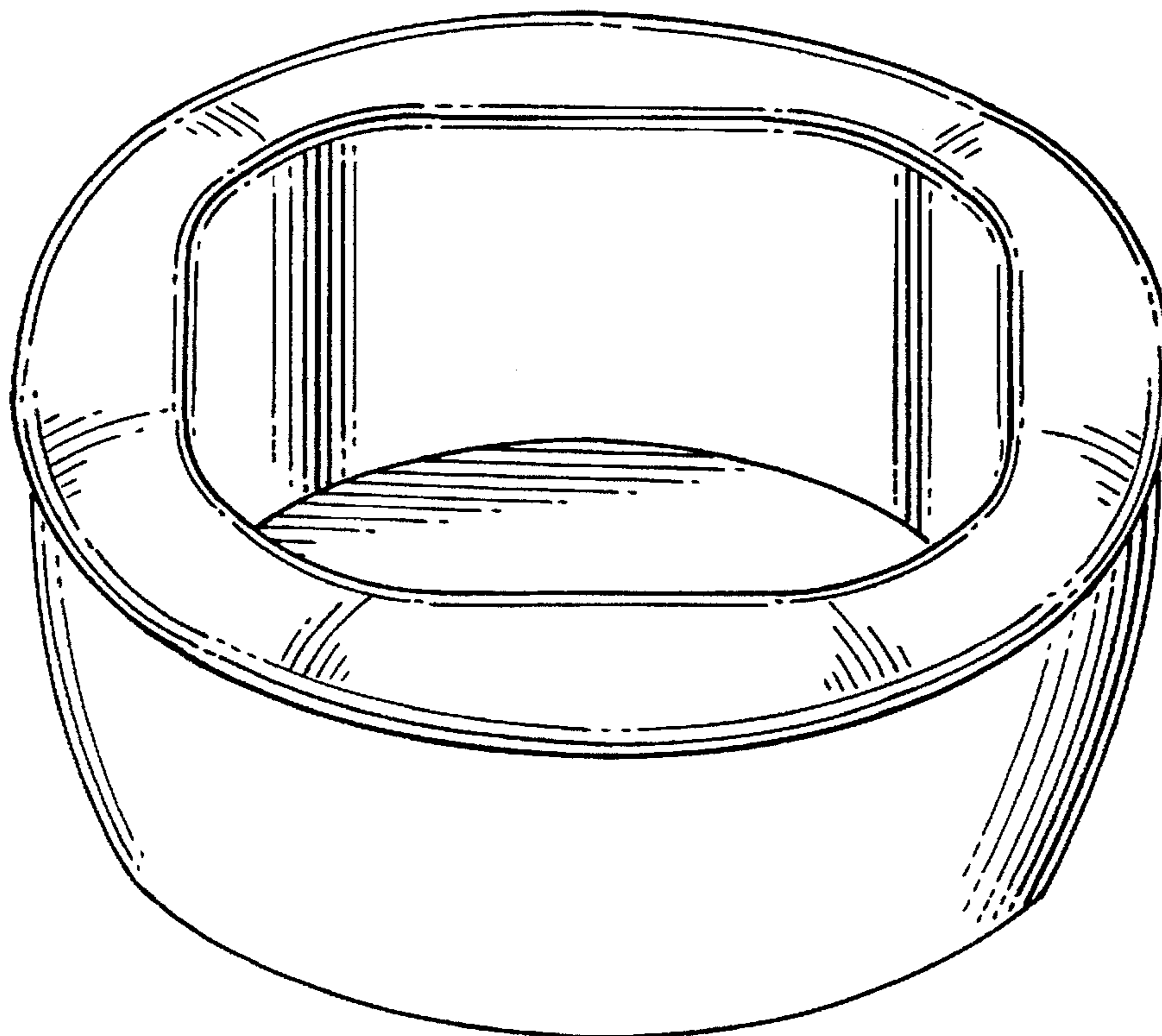


FIG. 1.

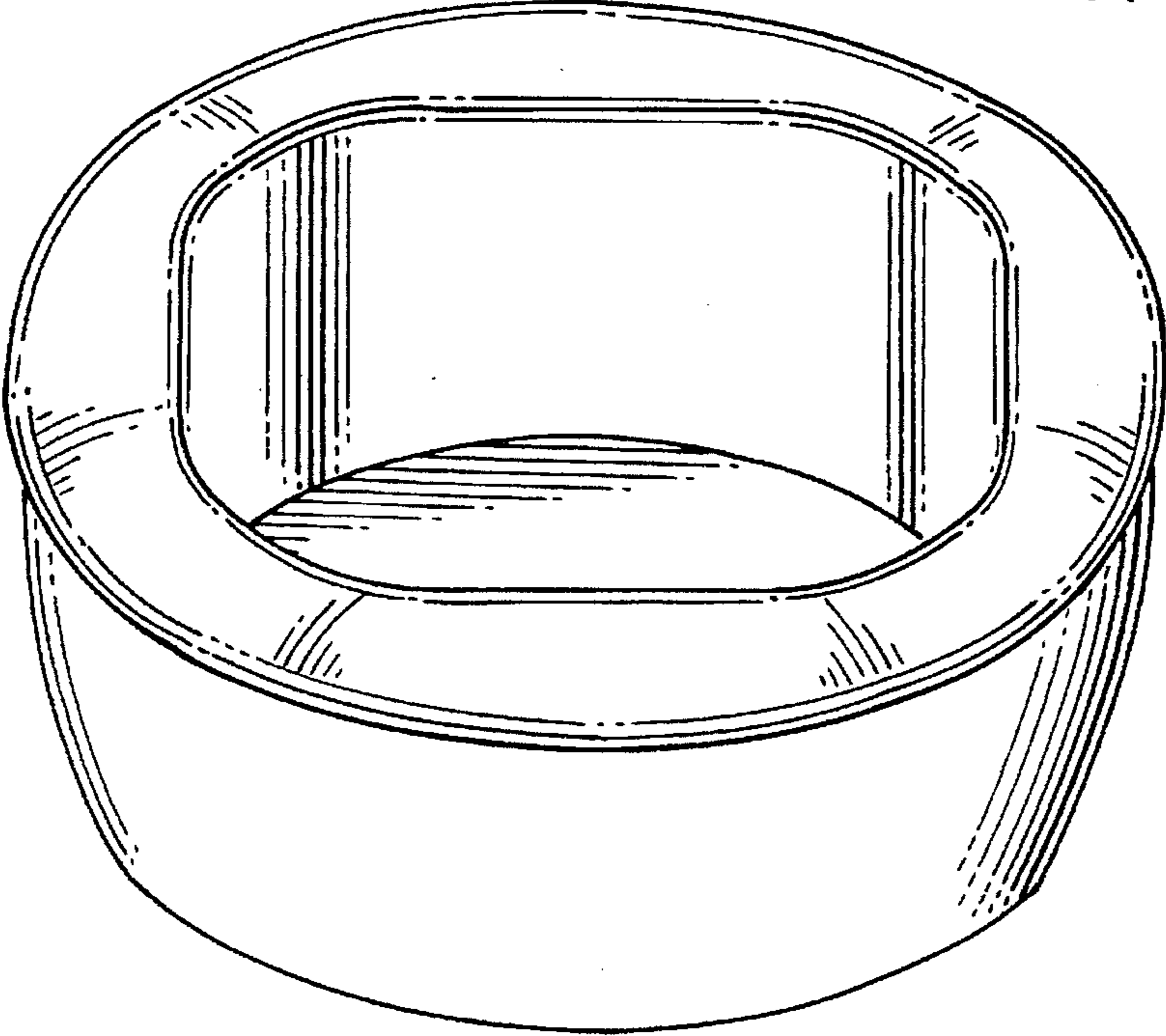


FIG. 2.

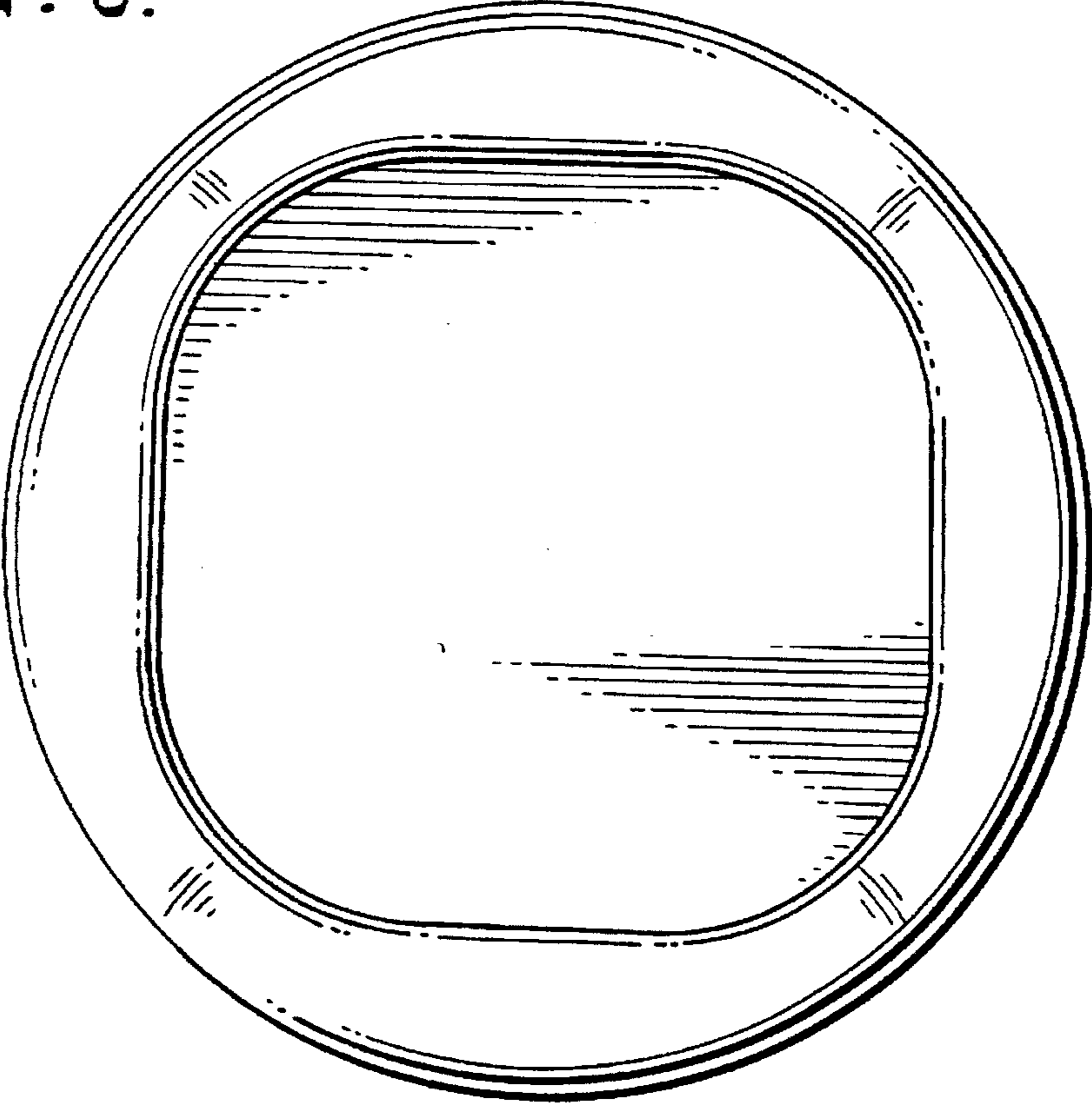


FIG. 3.

