



US00D382944S

United States Patent [19]
Kuhns

[11] **Patent Number: Des. 382,944**
[45] **Date of Patent: **Aug. 26, 1997**

[54] **APERTURE FOR A GUTTER COVER**

[76] Inventor: **Richard L. Kuhns**, 210 Broad St., Red Bank, N.J. 07701

[**] Term: **14 Years**

[21] Appl. No.: **35,974**

[22] Filed: **Mar. 10, 1995**

[51] **LOC (6) Cl.** **23-01**

[52] **U.S. Cl.** **D23/267**

[58] **Field of Search** **D23/267, 268;**
52/11, 12-18

[56] **References Cited**

U.S. PATENT DOCUMENTS

4,411,110	10/1983	Carey	52/11
4,616,450	10/1986	Shouse	52/12
5,099,620	3/1992	Carey	52/12
5,216,851	6/1993	Kuhns	52/12
5,339,575	8/1994	Kuhns	52/12

Primary Examiner—Louis S. Zarfes
Assistant Examiner—Eric Watterson
Attorney, Agent, or Firm—Thomason & Moser

[57] **CLAIM**

The ornamental design for an aperture for a gutter cover, as shown and described.

DESCRIPTION

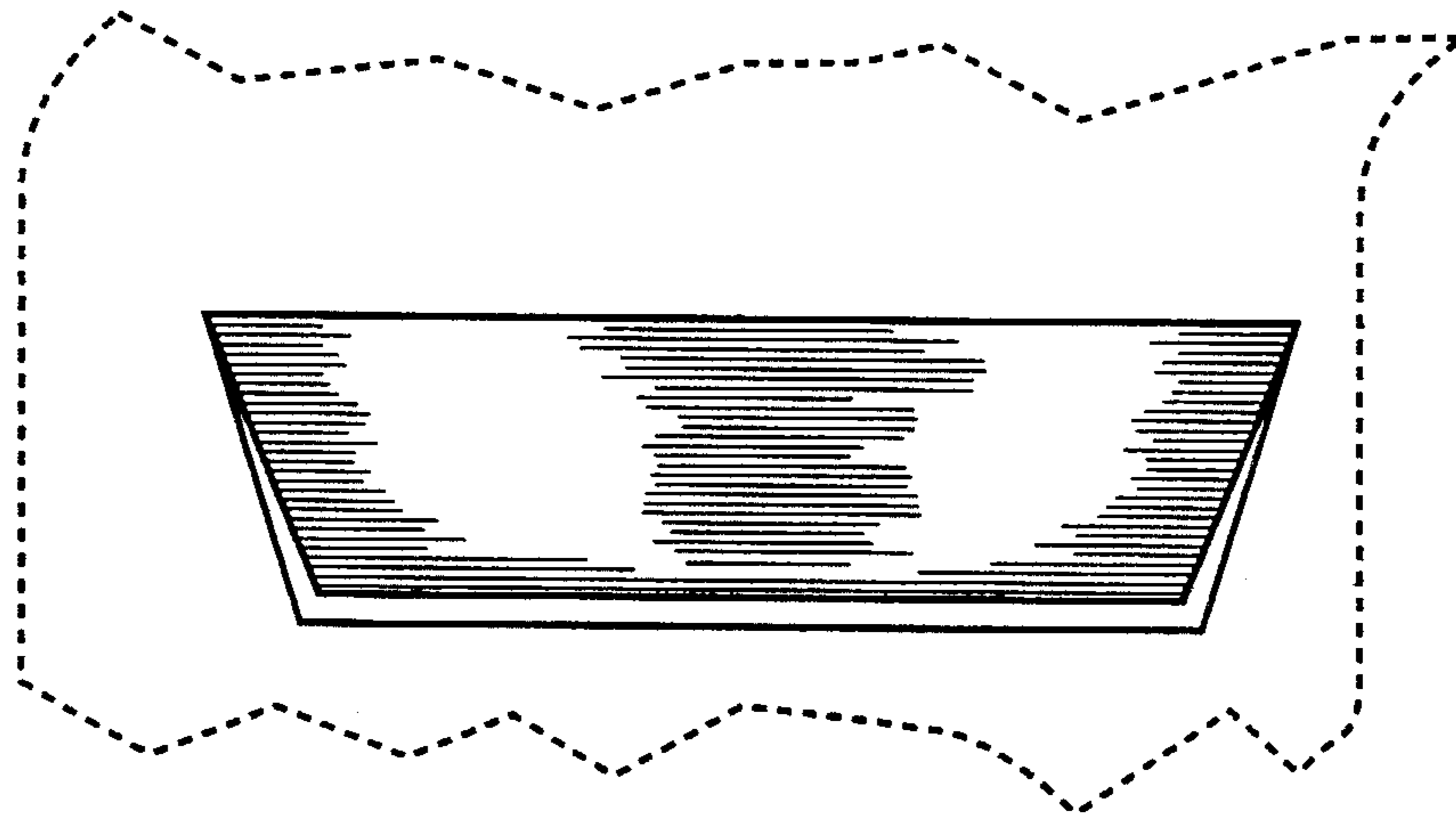
FIG. 1 is a frontal elevation view of an aperture for a gutter cover showing my new design;

FIG. 2 is a perspective view of a portion of a gutter cover incorporating the aperture of the invention within two rows of apertures;

FIG. 3 is a perspective view of a portion of a gutter cover incorporating the aperture of the invention within a single row of apertures; and,

FIG. 4 is a cross-sectional side view of an aperture for a gutter cover of the present design taken along line 4—4 of FIG. 2.

1 Claim, 1 Drawing Sheet



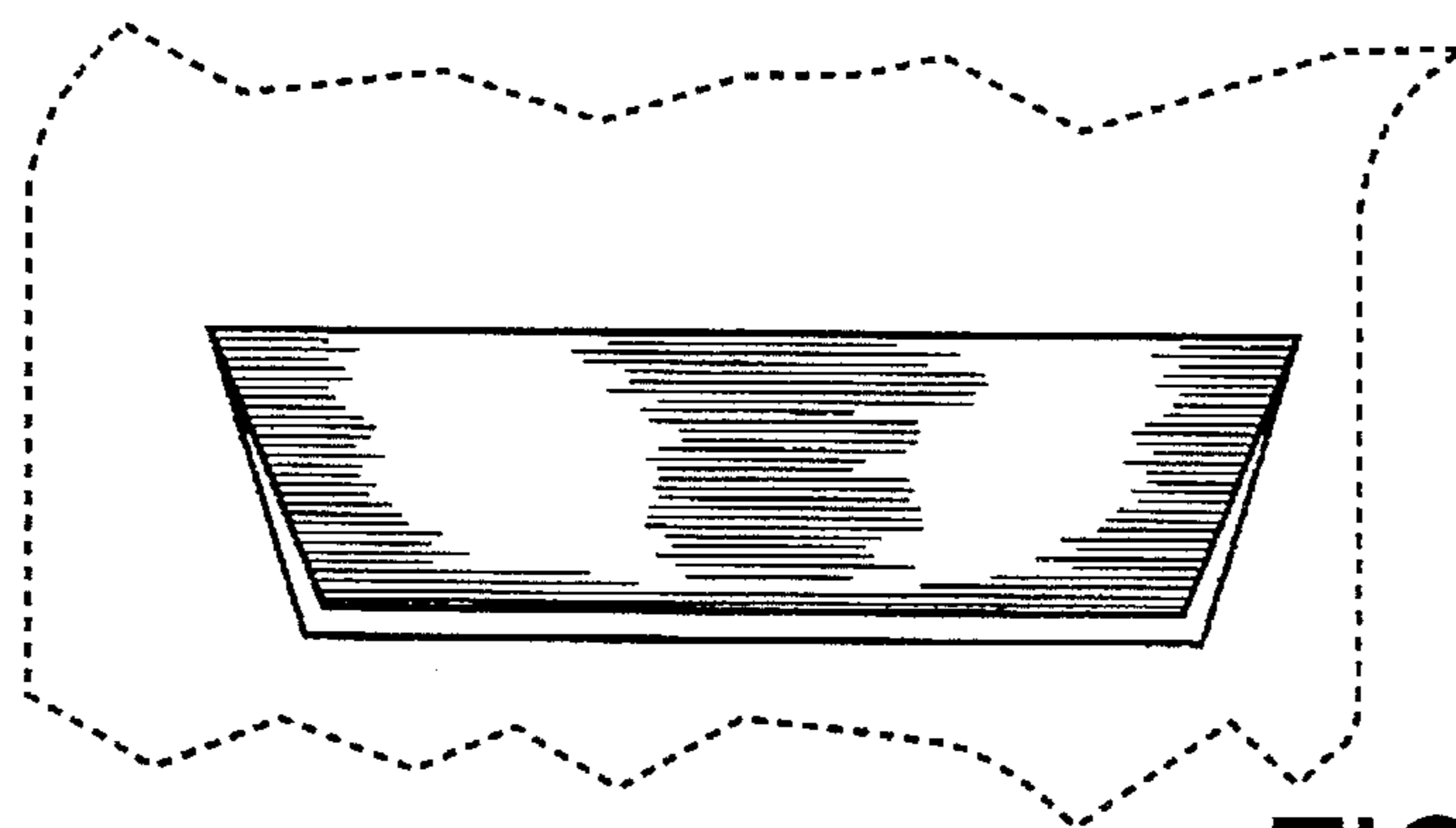


FIG. 1

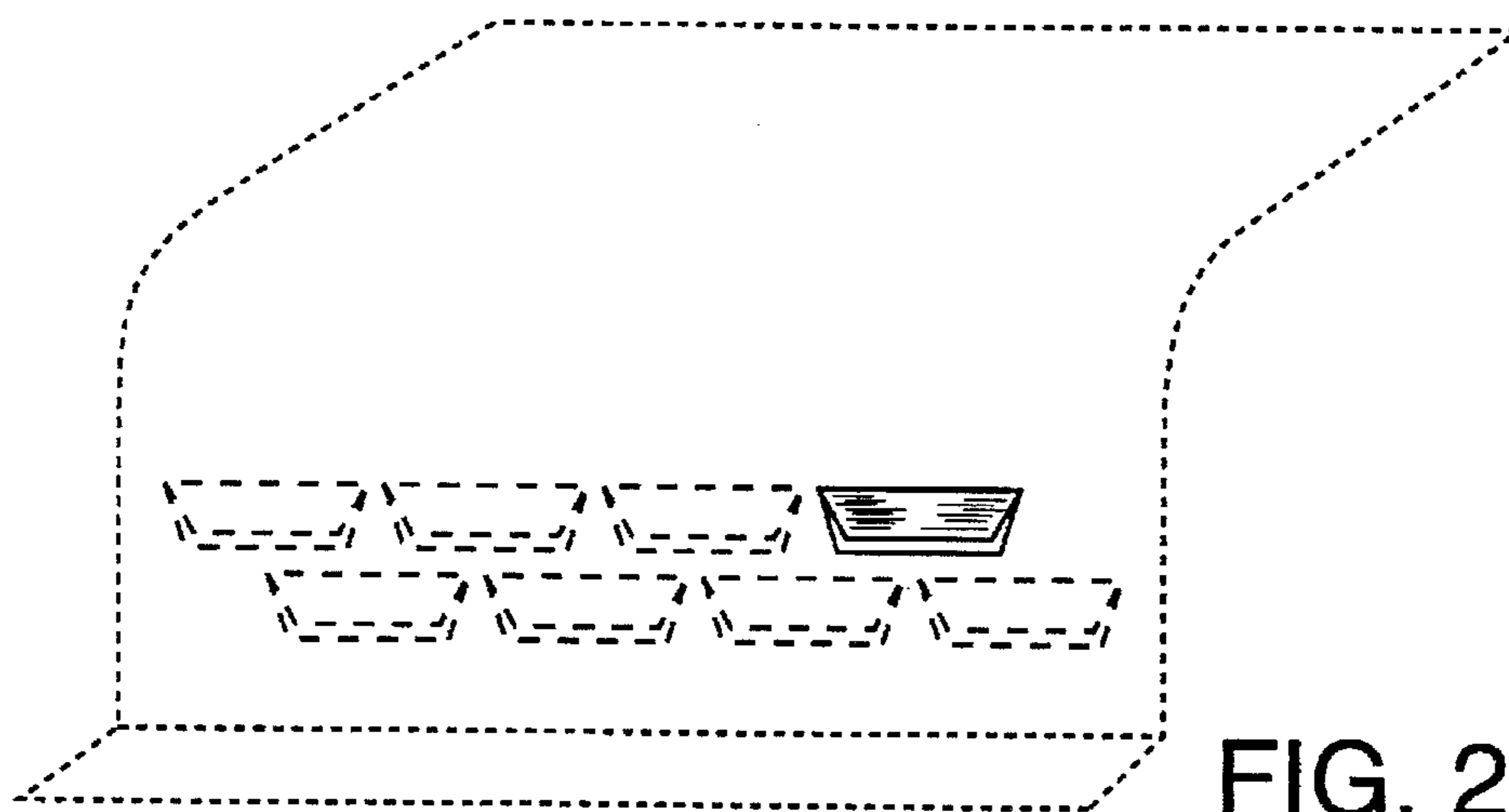


FIG. 2

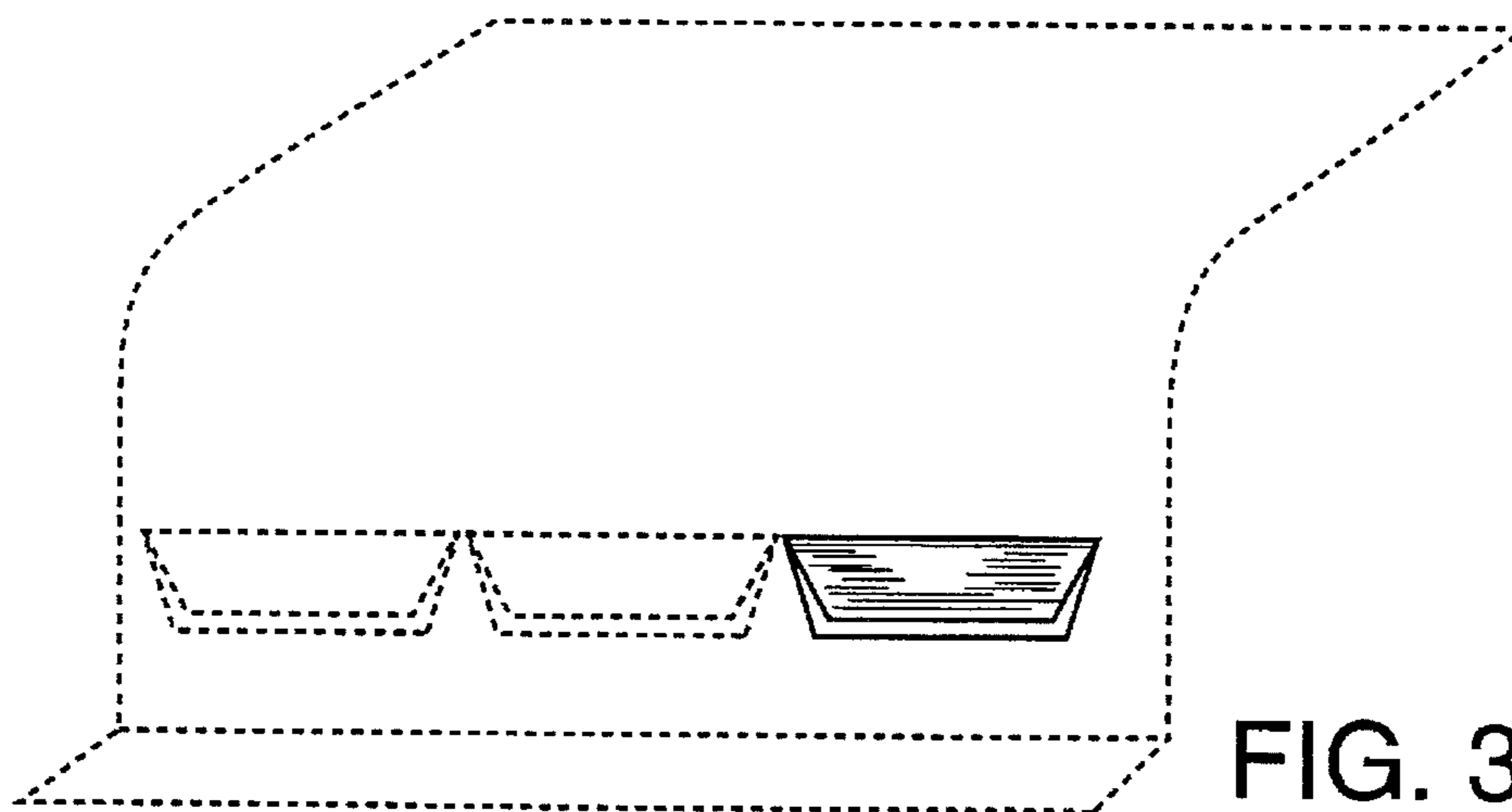


FIG. 3