



US00D382943S

United States Patent [19]

[11] Patent Number: **Des. 382,943**

Doughty et al.

[45] Date of Patent: ****Aug. 26, 1997**

[54] **FLANGE**

D. 182,684	4/1958	Ohno	D8/352
D. 212,079	8/1968	Algoren	D8/352
D. 325,958	5/1992	Stairs, Jr. et al.	D23/254 X
D. 326,504	5/1992	Robbins	D23/255

[75] Inventors: **Frederic C. Doughty**, S. Pasadena;
Darren M. Mark, Castaic, both of Calif.

[73] Assignee: **Emhart, Inc.**, Newark, Del.

Primary Examiner—Louis S. Zarfes
Assistant Examiner—Frank Martinez
Attorney, Agent, or Firm—J. Bruce Hoofnagle

[**] Term: **14 Years**

[21] Appl. No.: **56,646**

[57] **CLAIM**

[22] Filed: **Jul. 5, 1996**

The ornamental design for flange, as shown and described.

Related U.S. Application Data

DESCRIPTION

[62] Division of Ser. No. 33,986, Jan. 25, 1995.

[51] **LOC (6) Cl.** **23-01**

[52] **U.S. Cl.** **D23/259**

[58] **Field of Search** D23/233, 234,
D23/235, 236, 237, 238, 239, 240, 241,
242, 243, 244, 245, 246, 247, 248, 249,
250, 251, 252, 253, 254, 255, 256, 257-269;
D8/300, 307, 308, 352-3; 4/397-8, 675;
16/110 R, 114 R

FIG. 1 is a top view of a third embodiment of our new design of a flange;

FIG. 2 is a front view of the third embodiment of our new design of the flange; a rear view, a right side view and a left side view thereof being the same as the front view;

FIG. 3 is a bottom view of the third embodiment of our new design of the flange; and,

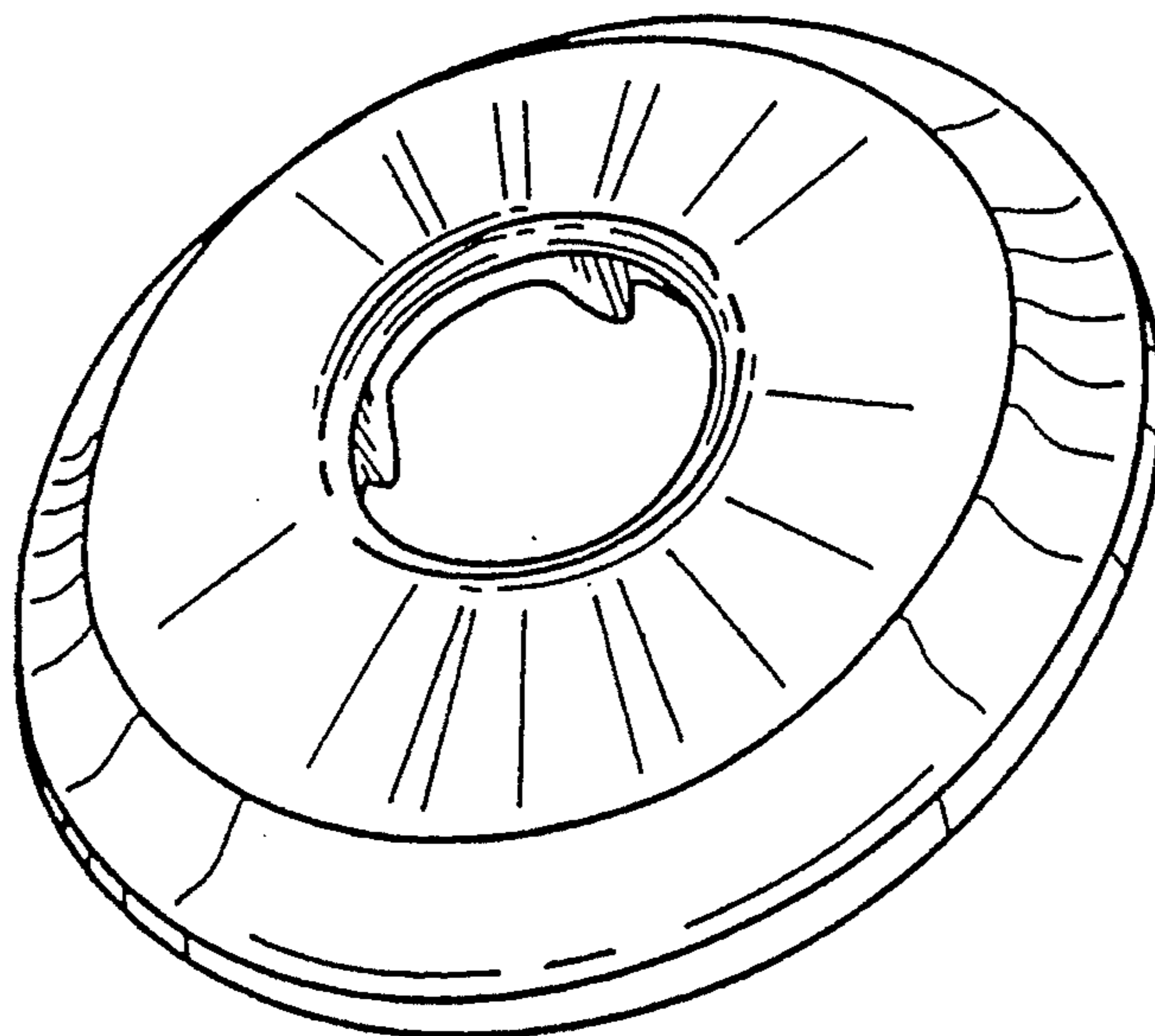
FIG. 4 is a perspective view of the third embodiment of our new design of the flange.

[56] **References Cited**

U.S. PATENT DOCUMENTS

D. 33,556 11/1900 Wheatley D23/249

1 Claim, 1 Drawing Sheet



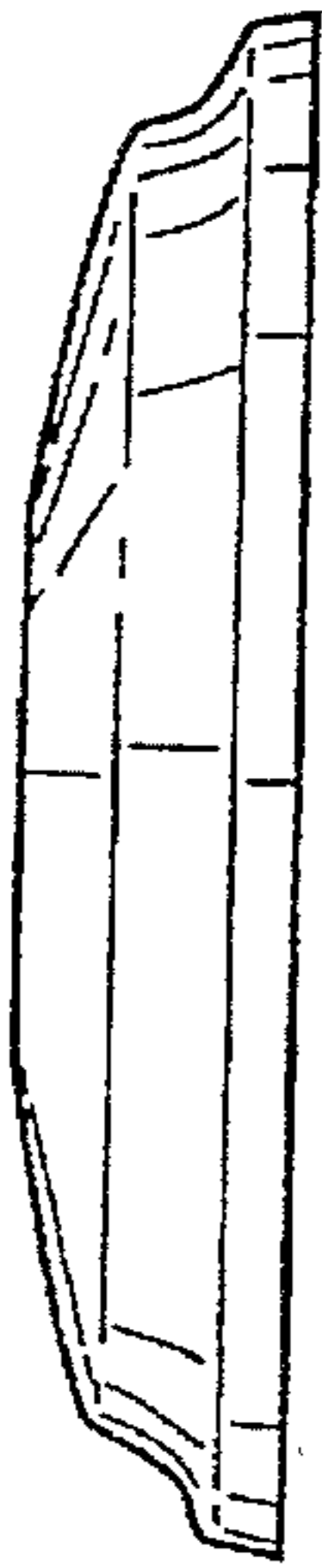


Fig. 2

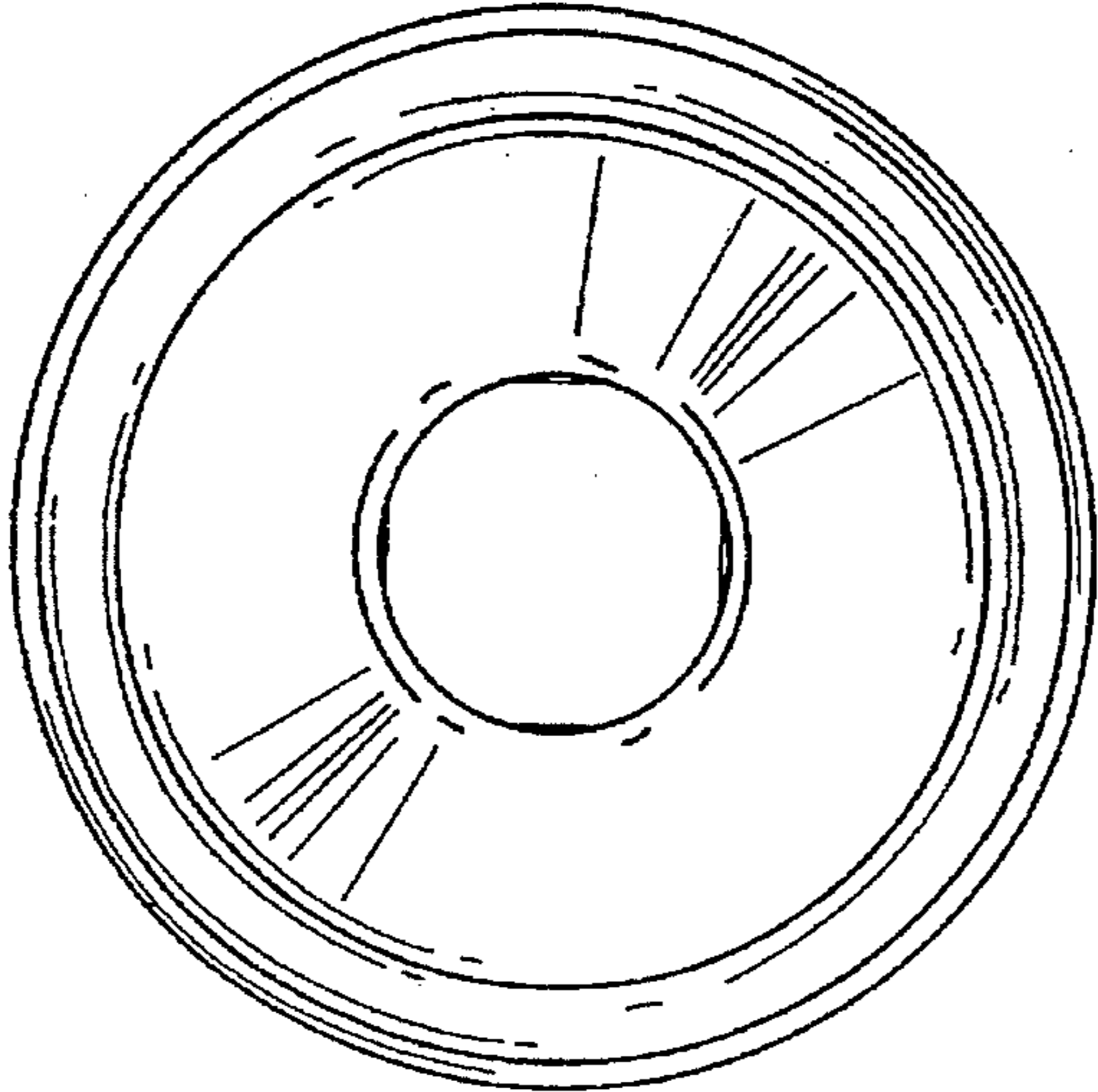


Fig. 1

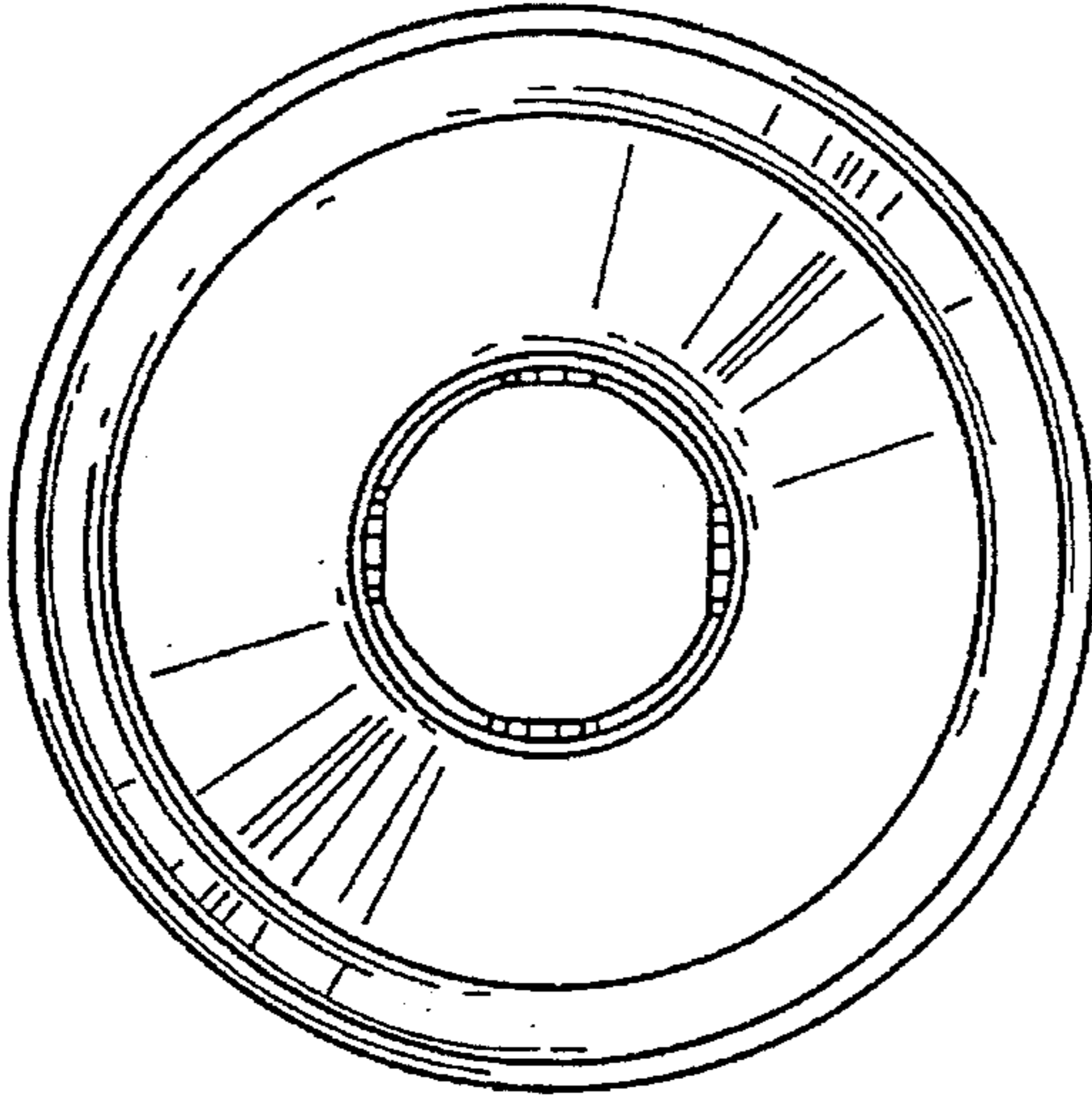


Fig. 3

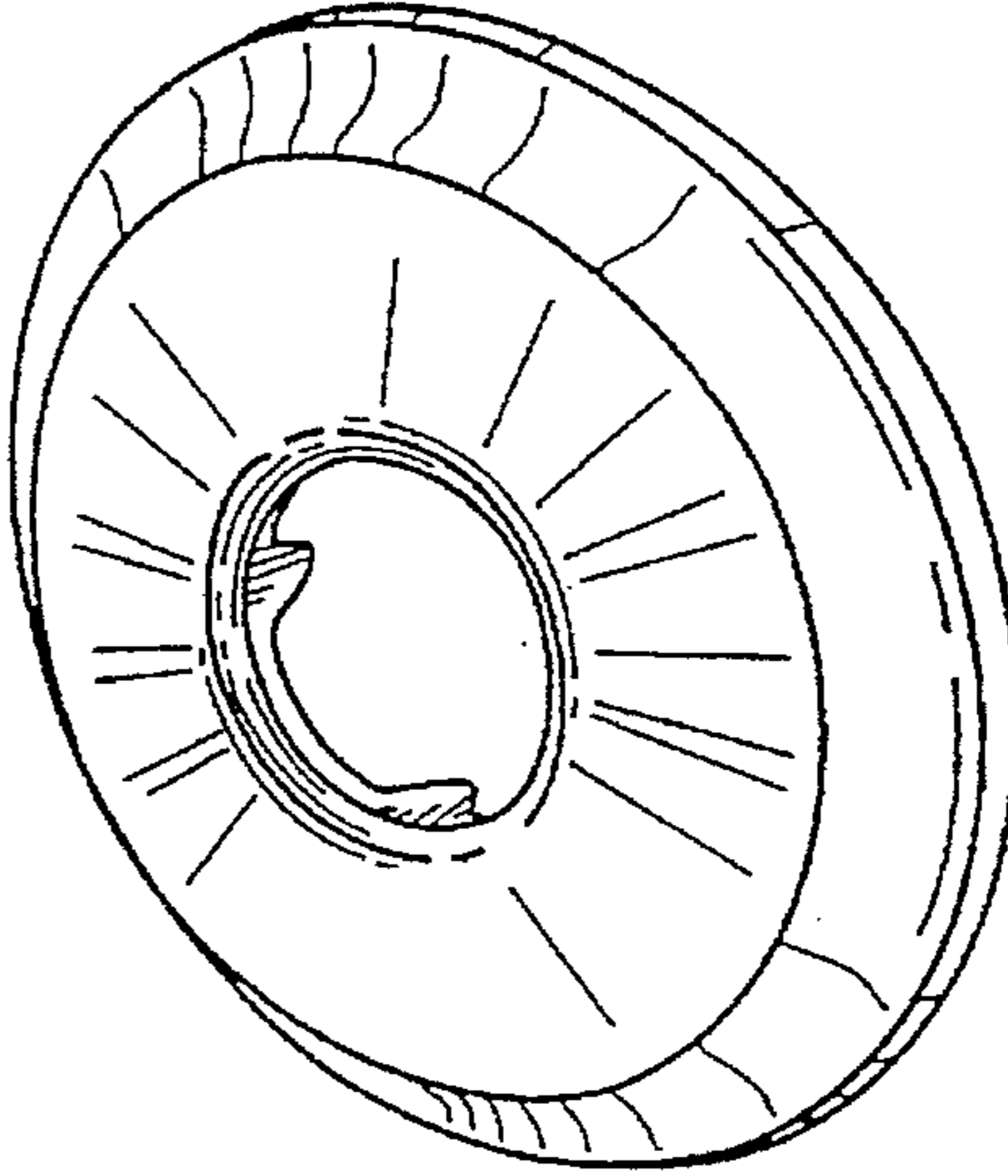


Fig. 4