



US00D382938S

United States Patent [19]

[11] Patent Number: **Des. 382,938**

Lammers et al.

[45] Date of Patent: ****Aug. 26, 1997**

[54] **SPRAY GUN**

| | | | |
|------------|--------|---------------------|---------|
| D. 356,855 | 3/1995 | Gebauer | D23/223 |
| 4,005,825 | 2/1977 | Schowiak | 239/526 |
| 4,162,042 | 7/1979 | Mommsen et al. | 239/526 |
| 4,993,642 | 2/1991 | Hufgard | 239/526 |

[75] Inventors: **James B. Lammers**, Plymouth; **Joseph W. Kieffer**, Rogers, both of Minn.

[73] Assignee: **Wagner Spray Tech Corporation**, Minneapolis, Minn.

OTHER PUBLICATIONS

Graco Spray Equipment Catalog, item #205-796, p. 22 1965.

[**] Term: **14 Years**

Primary Examiner—A. Hugo Word
Assistant Examiner—Robin V. Taylor
Attorney, Agent, or Firm—Faegre & Benson

[21] Appl. No.: **53,902**

[22] Filed: **May 1, 1996**

[57] CLAIM

[51] **LOC (6) Cl.** **23-01**

[52] **U.S. Cl.** **D23/226**

The ornamental design for a spray gun, as shown.

[58] **Field of Search** D23/213, 223-4,
D23/226-229; 361/227, 228; 239/525, 526,
527, 690, 691, 700, 701, 702

DESCRIPTION

FIG. 1 is a perspective view of the spray gun according to the present invention;
FIG. 2 is a front elevation view thereof;
FIG. 3 is a top plan view thereof;
FIG. 4 is a rear elevation view thereof;
FIG. 5 is a side elevation view thereof; and,
FIG. 6 is a bottom plan view thereof.

[56] References Cited

U.S. PATENT DOCUMENTS

| | | | |
|------------|---------|------------------|---------|
| D. 141,730 | 7/1945 | Baur | D23/226 |
| D. 212,153 | 9/1968 | Wagner | D23/226 |
| D. 313,064 | 12/1990 | Lind et al. | D23/226 |
| D. 314,421 | 2/1991 | Tajima | D23/226 |

1 Claim, 2 Drawing Sheets

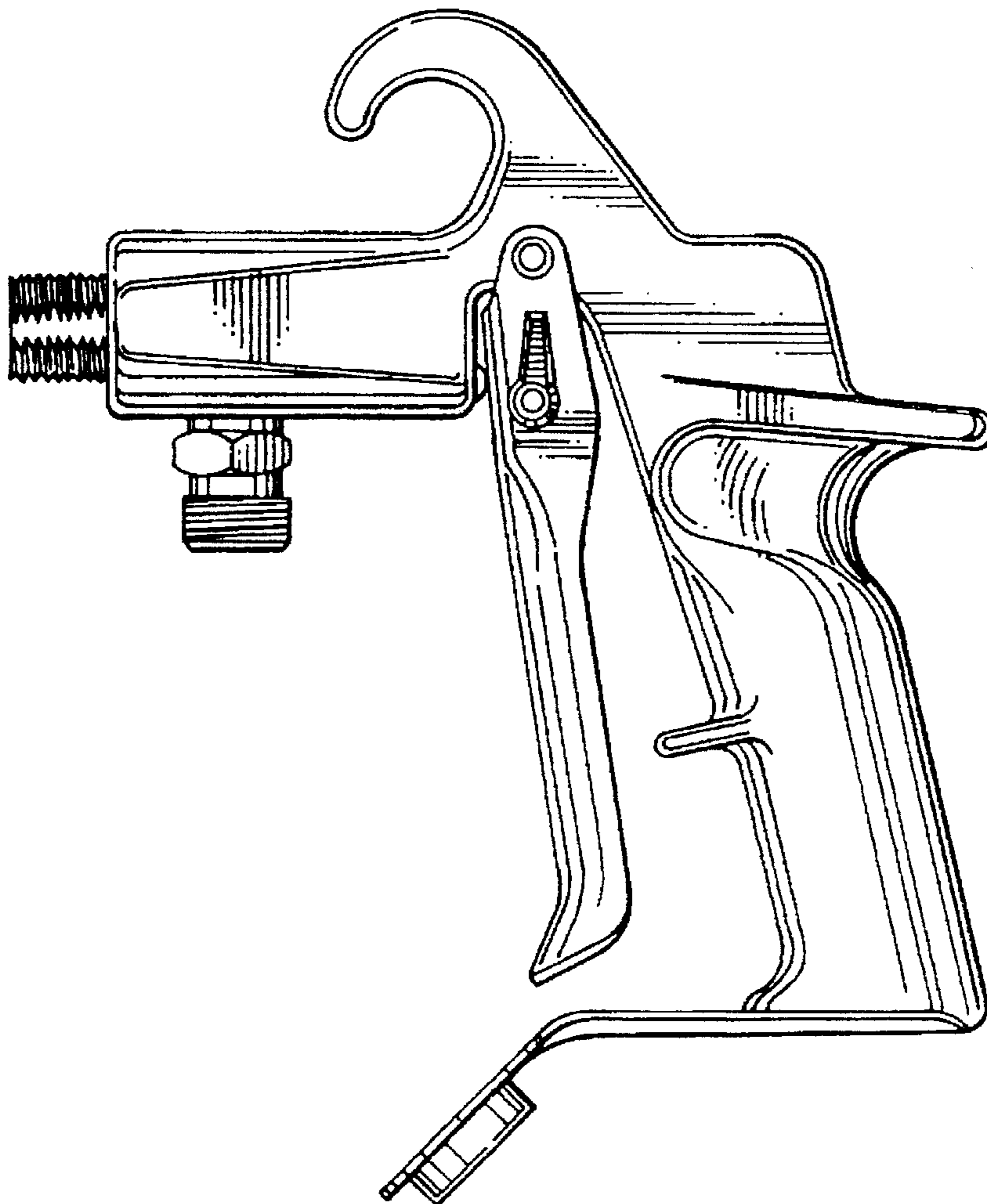


Fig. 1

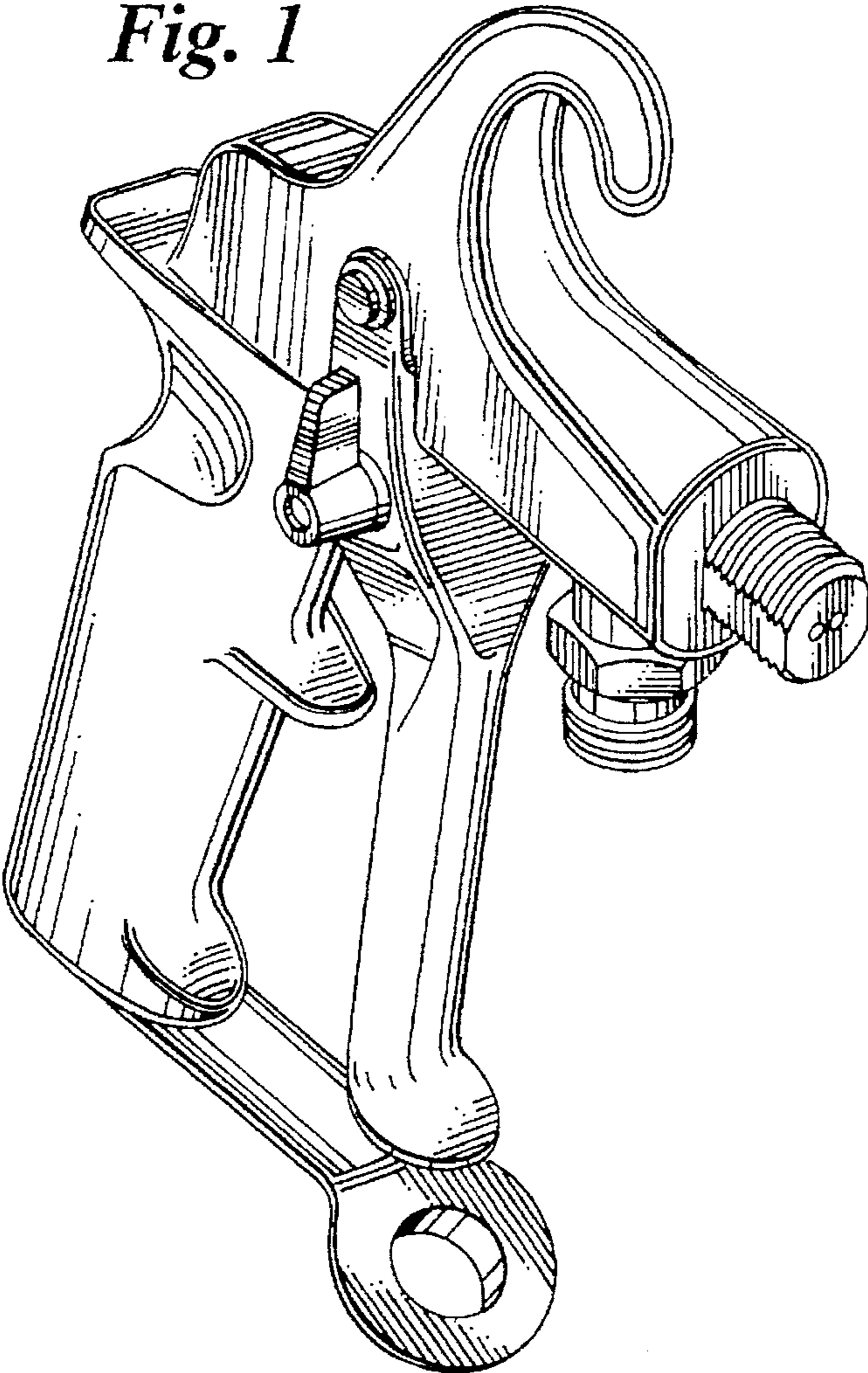


Fig. 2

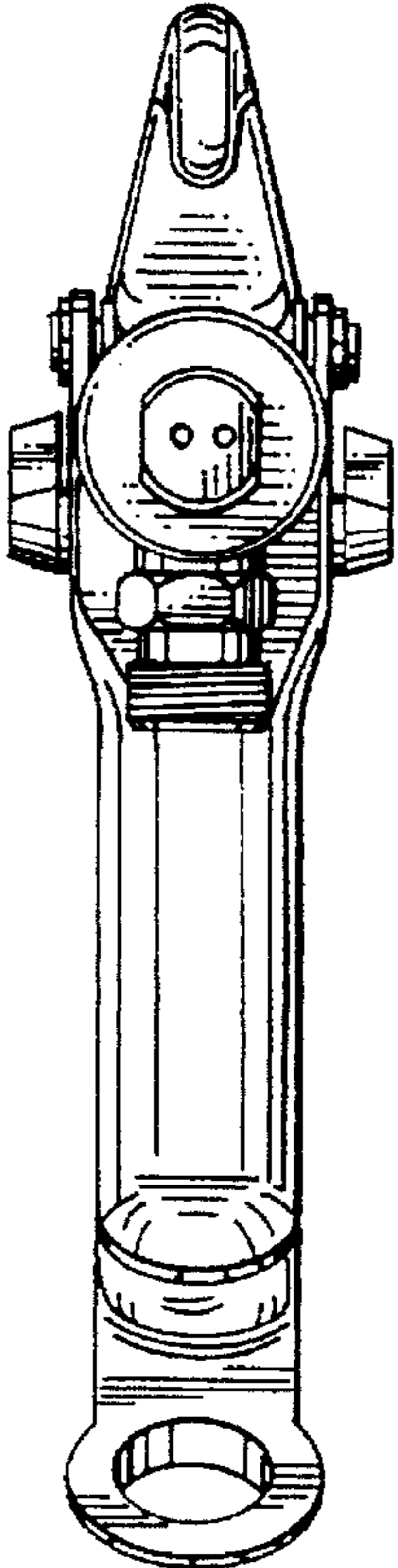


Fig. 3

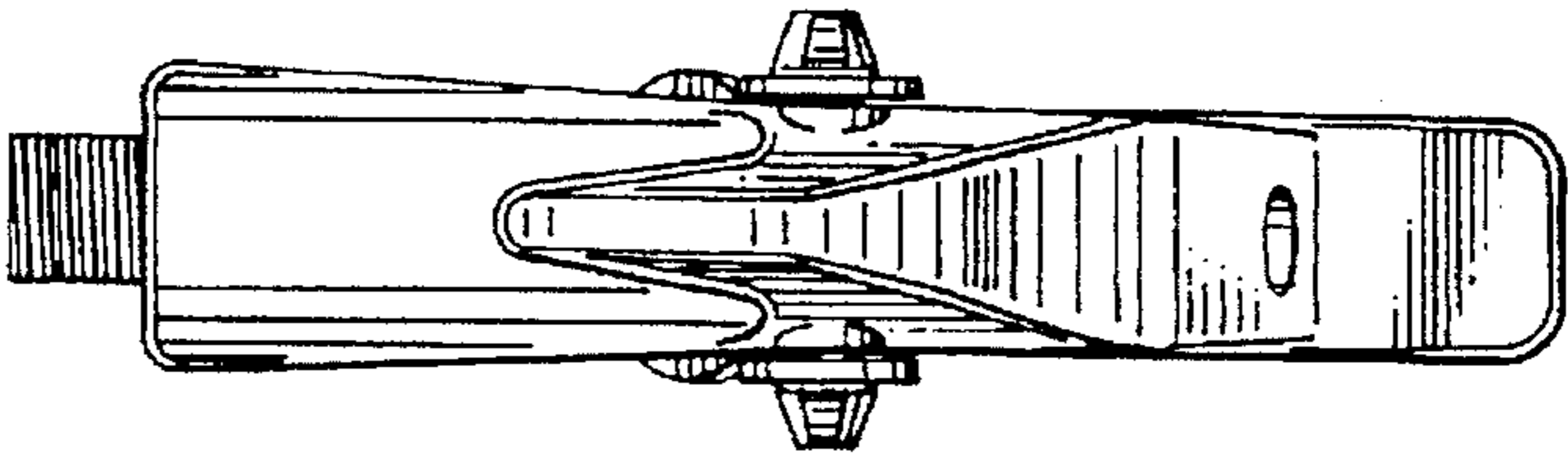


Fig. 5

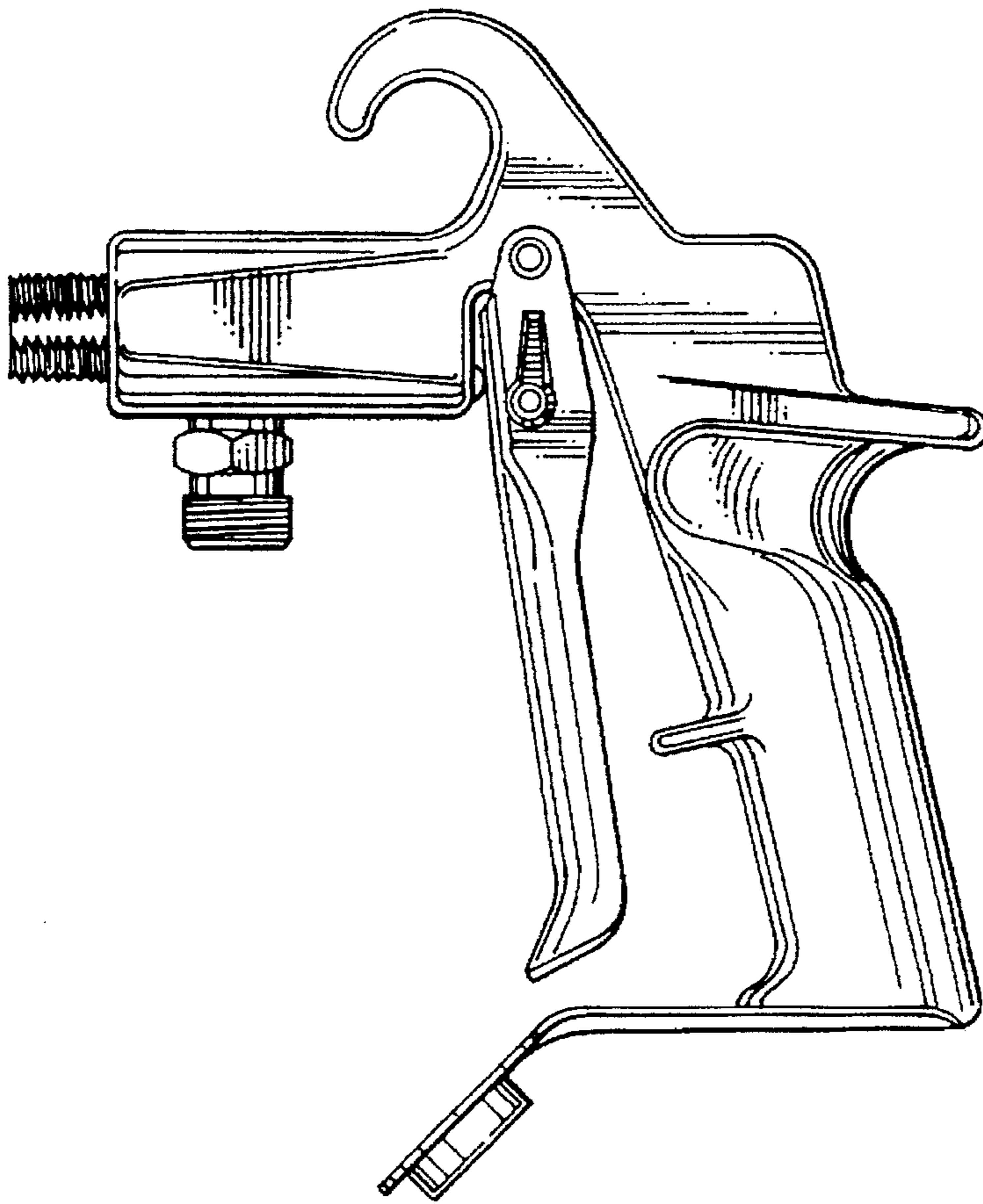


Fig. 4

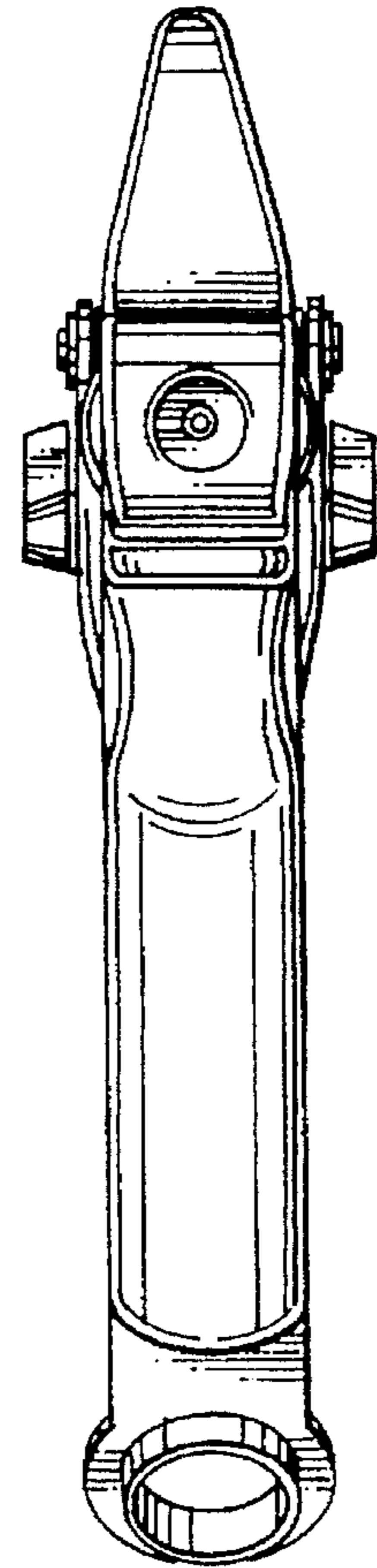


Fig. 6

