



US00D382929S

United States Patent [19]

[11] Patent Number: **Des. 382,929**

DeBlieux et al.

[45] Date of Patent: ****Aug. 26, 1997**

[54] **COMBINED GOLF TEE, GREENS REPAIR TOOL AND GOLF CLUB PROP**

1,675,335 7/1928 Drevitson D21/208 X
1,783,211 12/1930 Baldwin D21/208 X
3,203,700 8/1965 Antonious D21/208 X

[76] Inventors: **Danny Neal DeBlieux**, 1020 Orchid Ave.; **Roger Dale Jones**, Sonny Boy Yeldell Rd., both of Bastrop, La. 71220

Primary Examiner—Ted Shooman
Assistant Examiner—Cheri Cohen

[**] Term: **14 Years**

[57] **CLAIM**

[21] Appl. No.: **36,273**

The ornamental design for a combined golf tee, greens repair tool and golf club prop, as shown.

[22] Filed: **Mar. 14, 1995**

DESCRIPTION

[51] LOC (6) Cl. **21-02**

[52] U.S. Cl. **D21/208**

[58] Field of Search D21/208, 234;
248/96; 211/68, 70.2; 273/32 B, 33, 32.5,
201-212

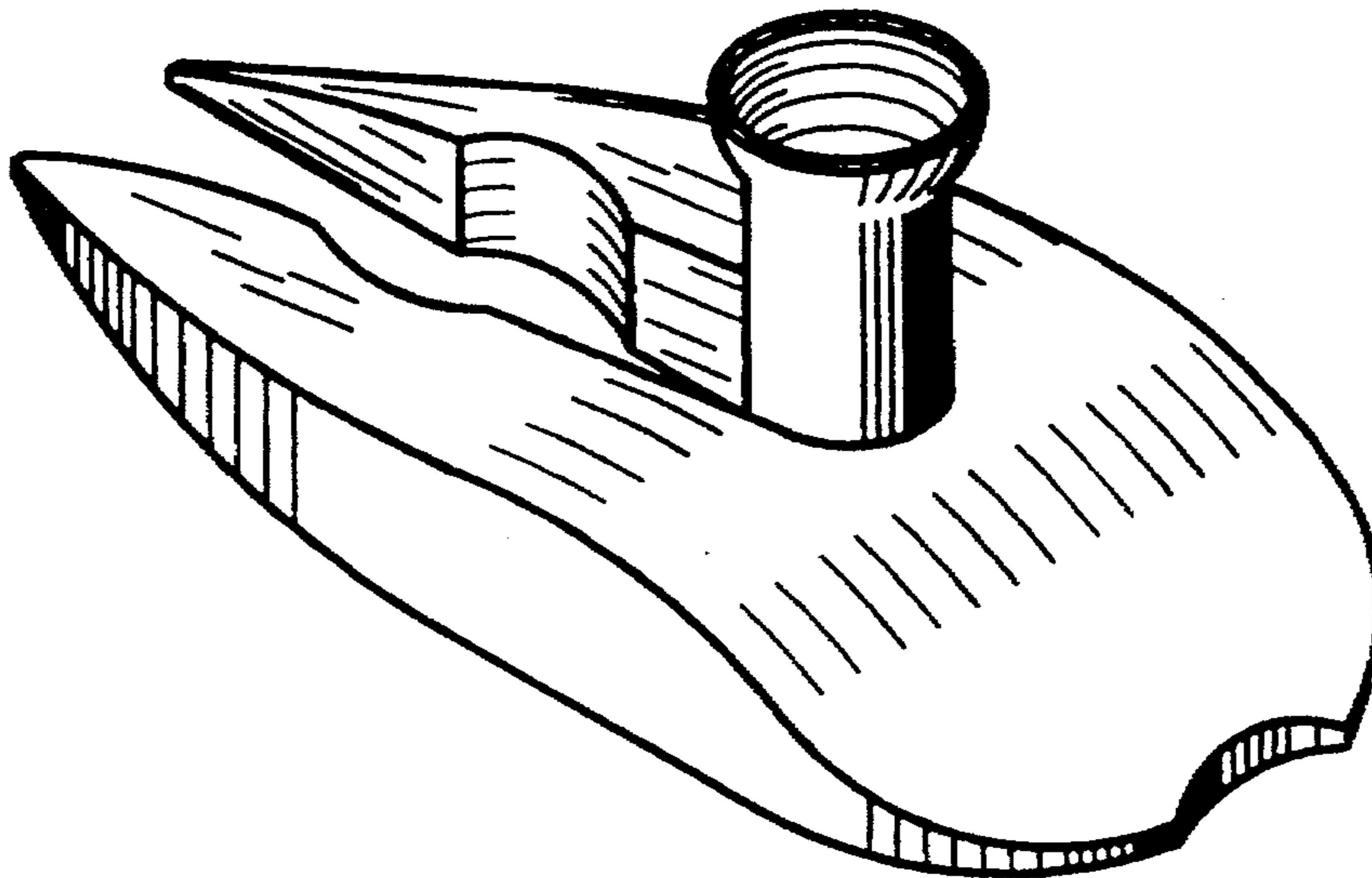
FIG. 1 is a top plan view of a combined golf tee, greens repair tool and golf club prop showing my new design; FIG. 2 is a front elevation view thereof, the opposite side being a mirror image; FIG. 3 is a bottom plan view thereof; FIG. 4 is a top plan view with the tee shown in a collapsed position; FIG. 5 is a front elevation view thereof, the opposite side being a mirror image; FIG. 6 is a right side elevation view with the tee shown in an upright position; FIG. 7 is a left side elevation view thereof; and, FIG. 8 is a perspective view thereof.

[56] **References Cited**

U.S. PATENT DOCUMENTS

D. 75,984	8/1928	Reich	D21/234
D. 300,160	3/1989	Johnson	D21/234
D. 361,815	8/1995	Fazekas	D21/234
D. 364,439	11/1995	Ragusin	D21/234
1,535,181	4/1925	Sawyer	D21/234 X
1,570,926	1/1926	Sibbald	D21/208 X

1 Claim, 1 Drawing Sheet



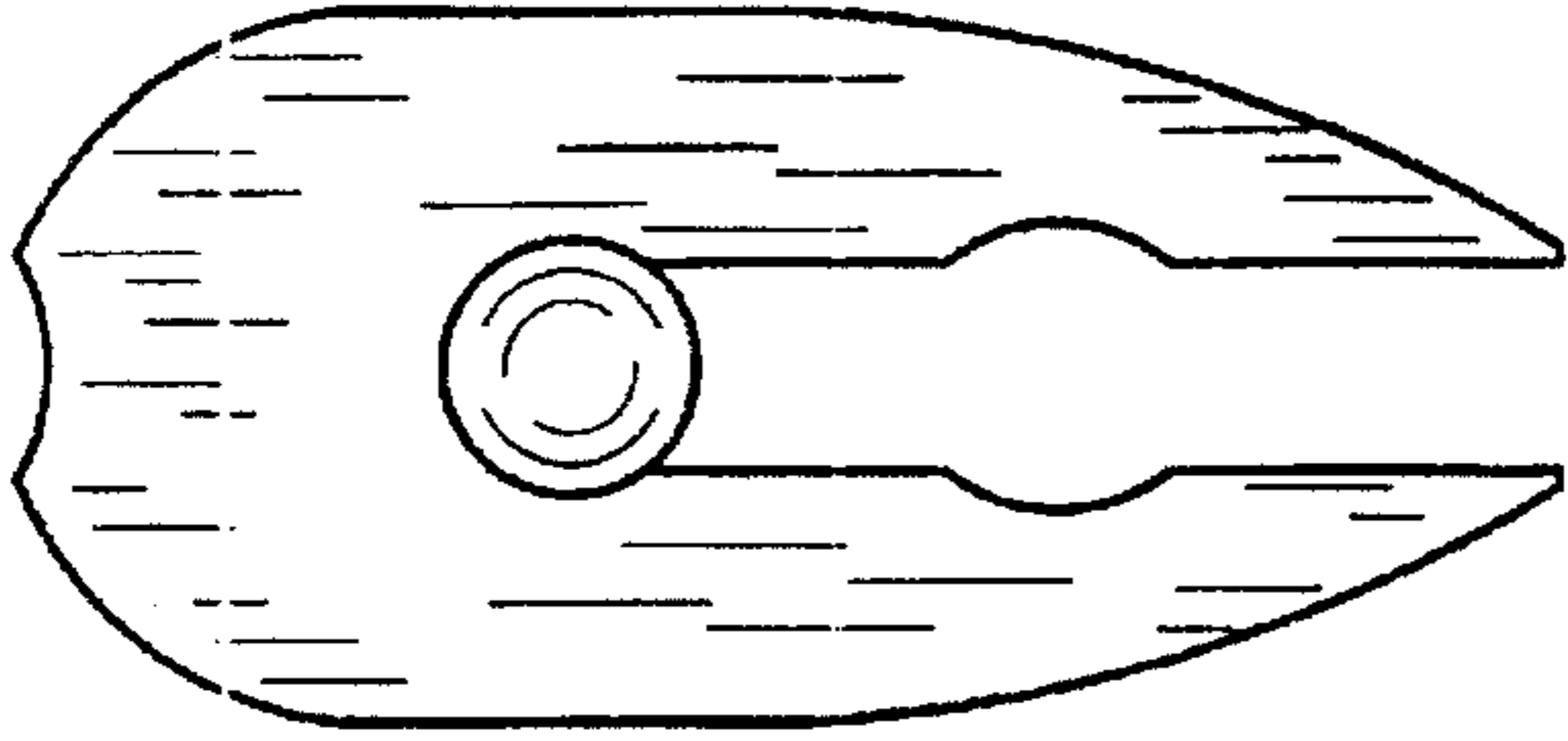


FIG. 1

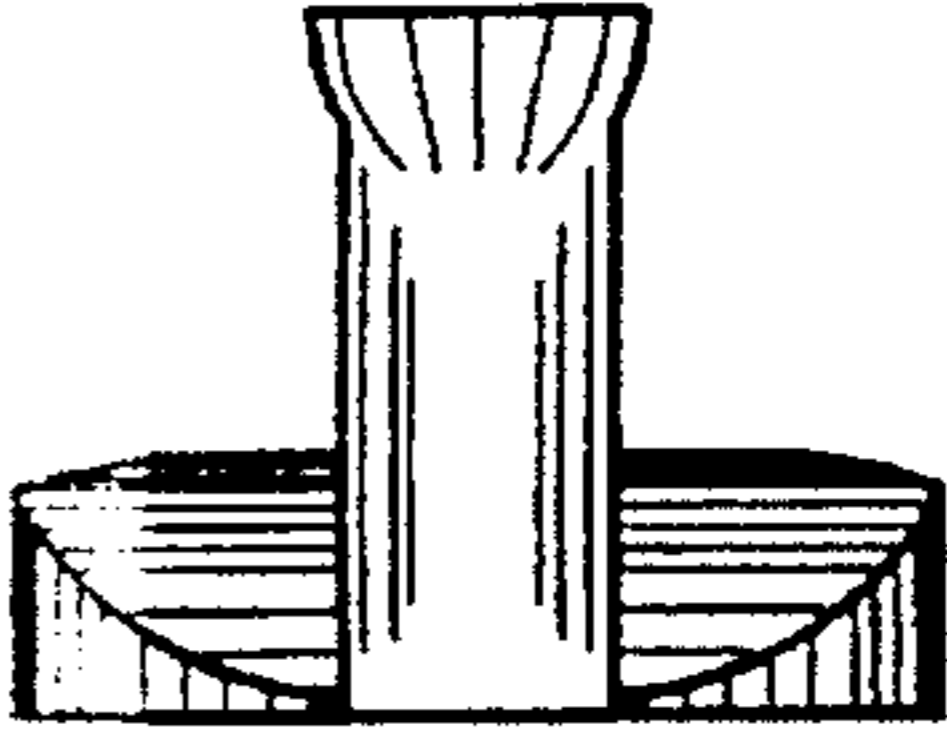


FIG. 6

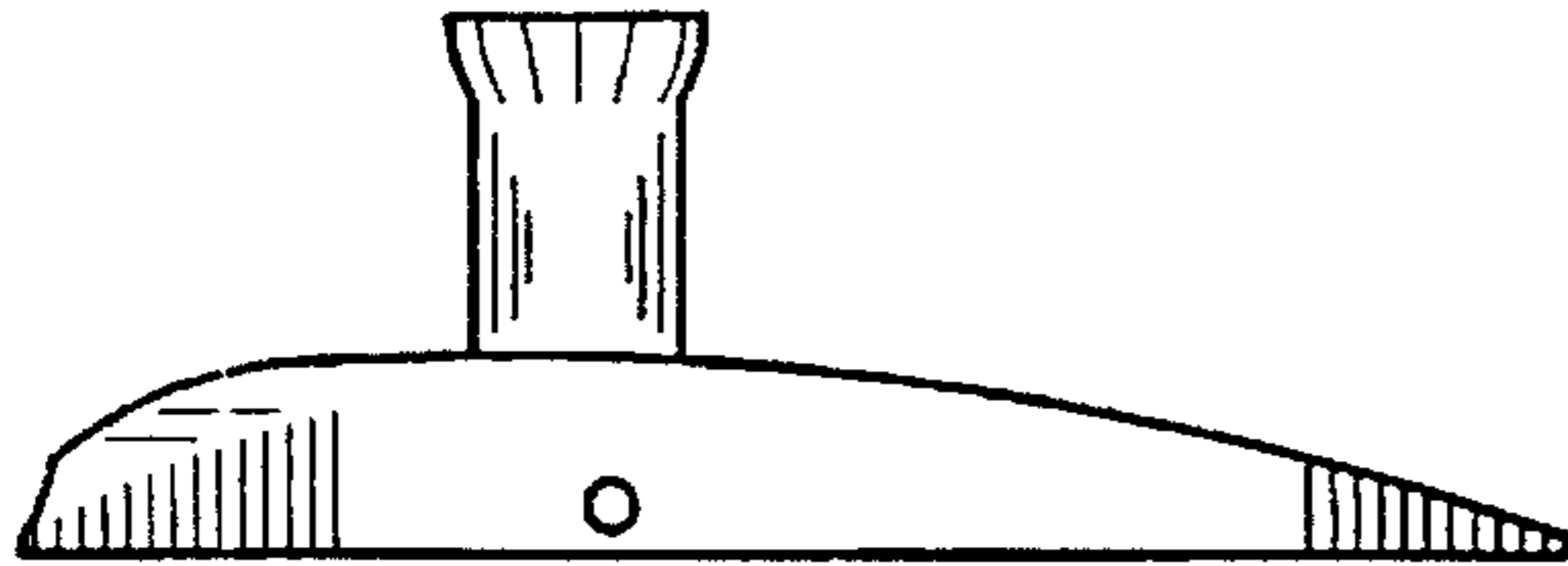


FIG. 2

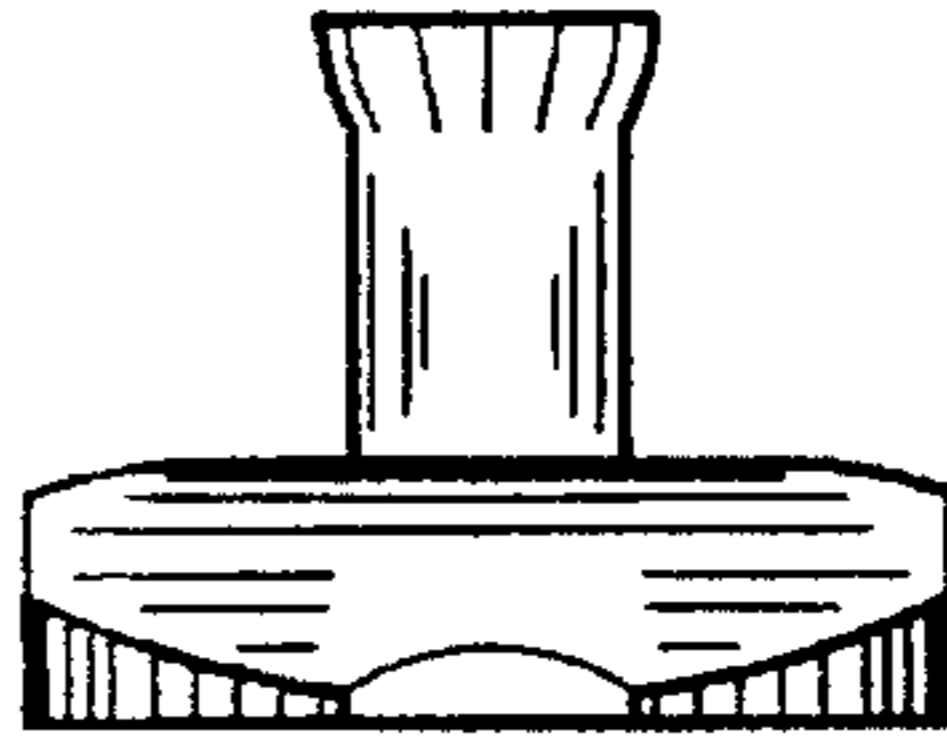


FIG. 7

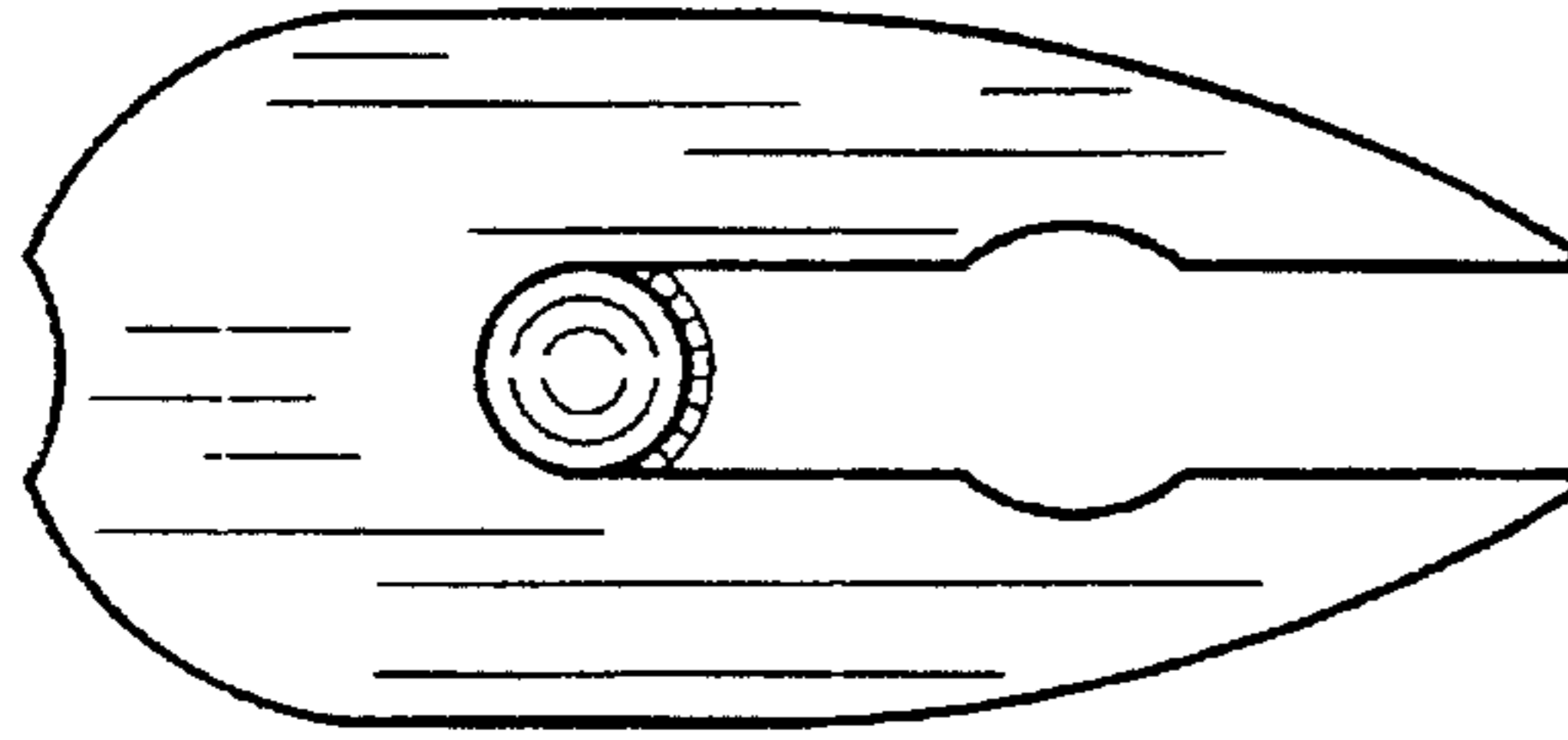


FIG. 3

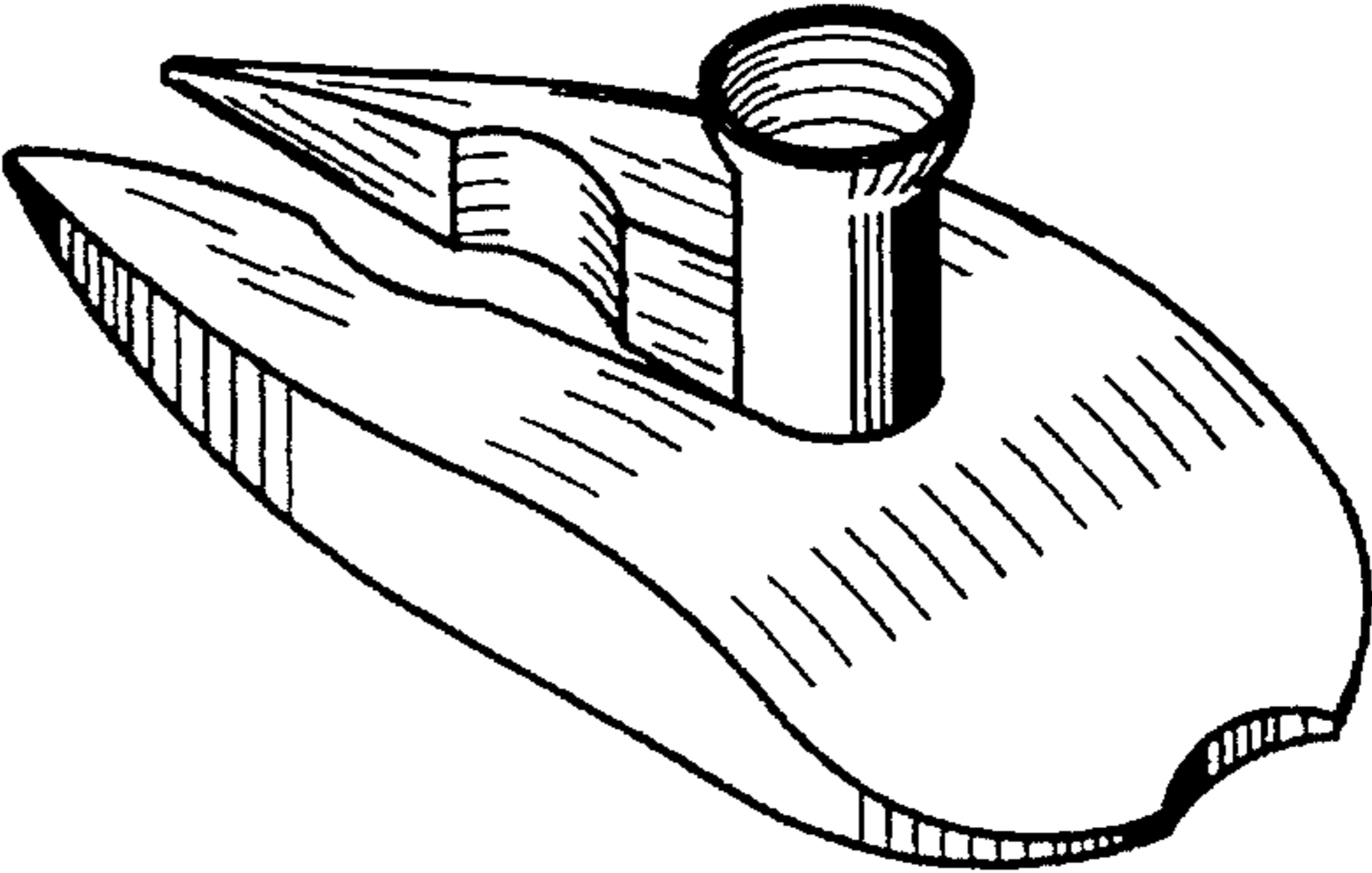


FIG. 8

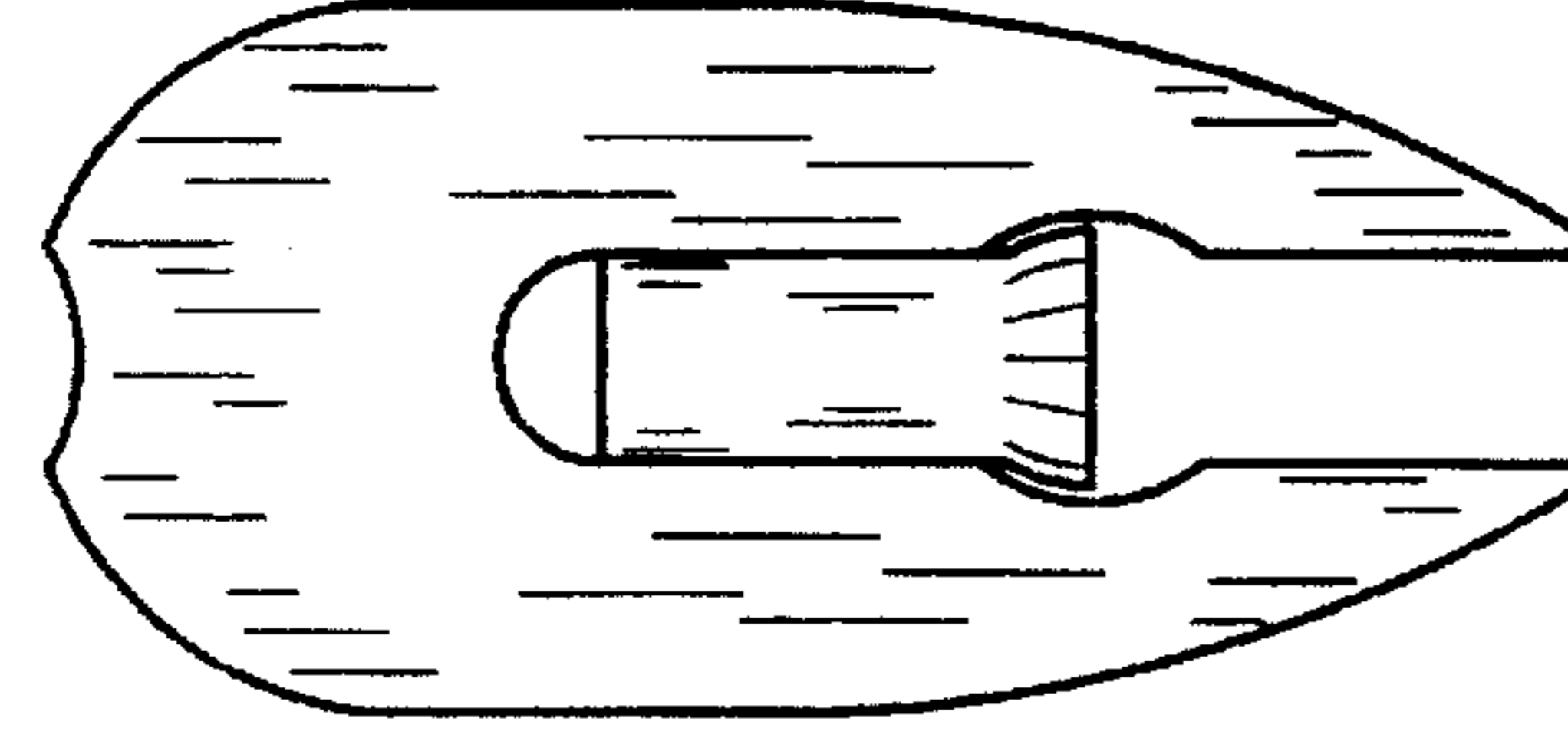


FIG. 4

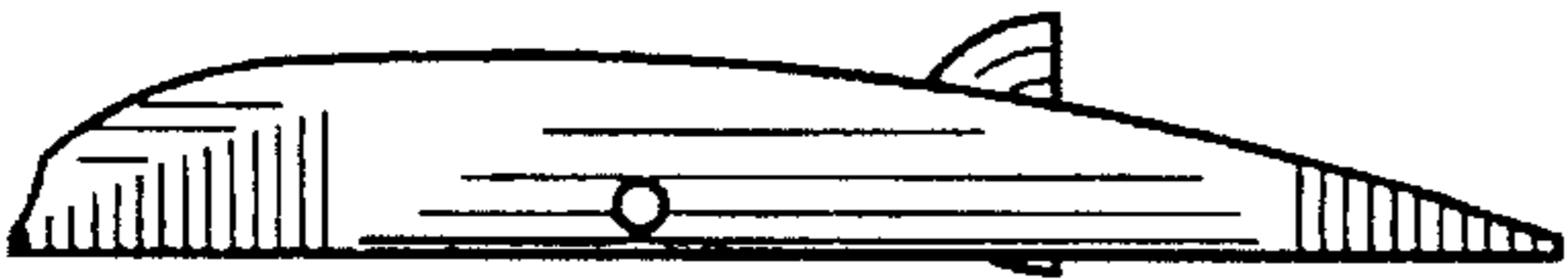


FIG. 5