



US00D382928S

United States Patent [19]
Bess

[11] **Patent Number: Des. 382,928**
[45] **Date of Patent: **Aug. 26, 1997**

[54] **GOLF TEE**
[76] **Inventor: William W. Bess, 5731 E. Duncan St.,
Mesa, Ariz. 85205**
[**] **Term: 14 Years**
[21] **Appl. No.: 58,268**
[22] **Filed: Aug. 9, 1996**

1,551,207 8/1925 Nial et al. 473/401 X
2,072,688 3/1937 Rose 473/388
2,081,511 5/1937 Smith D21/208 X
3,122,846 3/1964 Trent D21/234 X
3,697,082 10/1972 Di Laura et al. 473/388

Primary Examiner—Ted Shooman
Assistant Examiner—Cheri Cohen

Related U.S. Application Data

[62] Division of Ser. No. 46,101, Nov. 7, 1995, Pat. No. Des. 376,830.
[51] **LOC (6) Cl. 21-02**
[52] **U.S. Cl. D21/208**
[58] **Field of Search D21/208, 234,
D21/108; 248/545; 434/252; 473/387-403,
131, 278, 386, 284, 406, 408**

[57] **CLAIM**

The ornamental design for a golf tee, as shown and shown.

DESCRIPTION

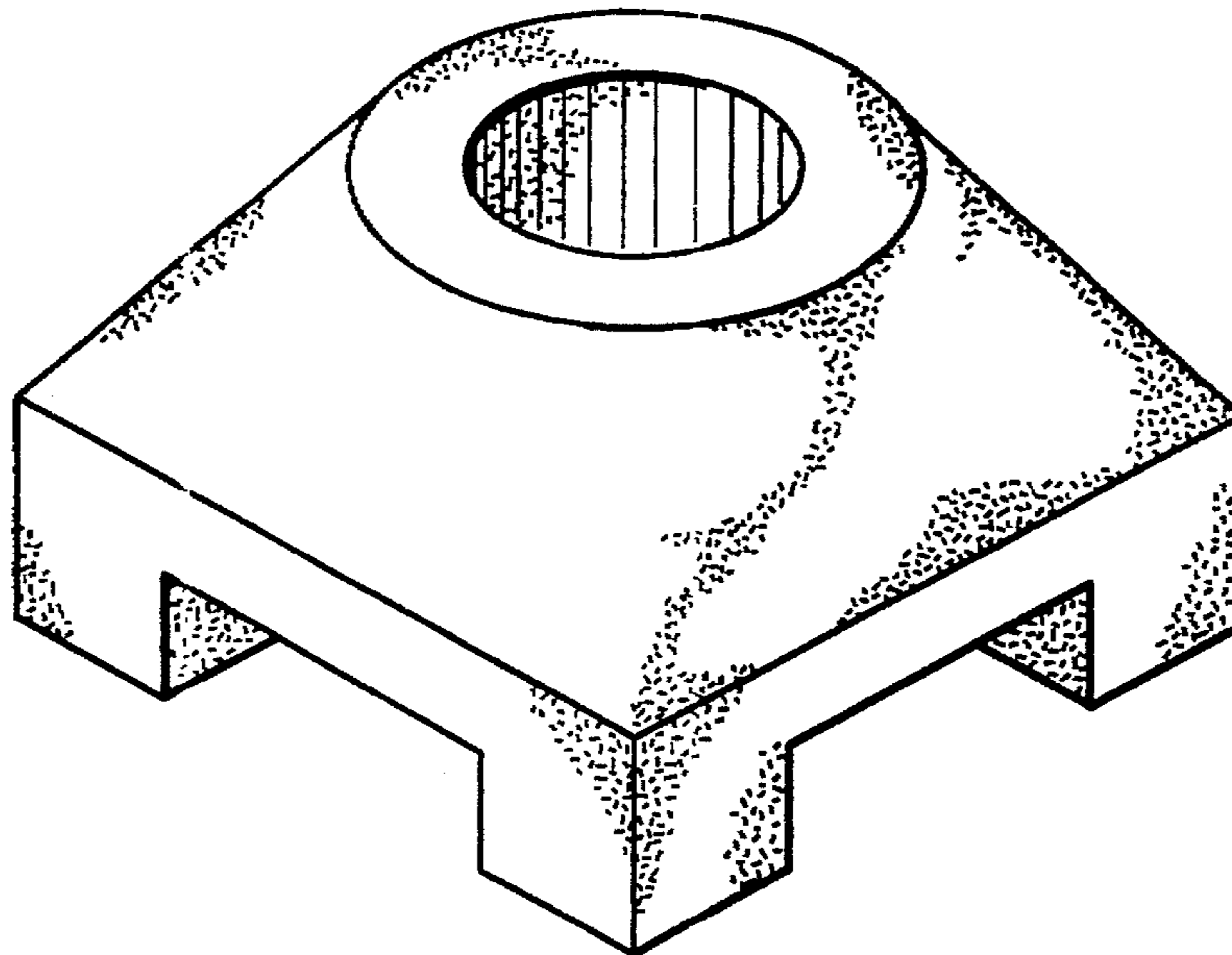
FIG. 1 is a perspective view depicting the top and two sides of the invention;
FIG. 2 is a perspective view depicting the bottom and two sides of the invention;
FIG. 3 is a top plan view of the invention;
FIG. 4 is a representative side elevational view of the invention, all sides of the invention being identical; and,
FIG. 5 is a bottom plan view of the invention.

[56] **References Cited**

U.S. PATENT DOCUMENTS

D. 368,503 4/1996 Bess D21/208

1 Claim, 1 Drawing Sheet



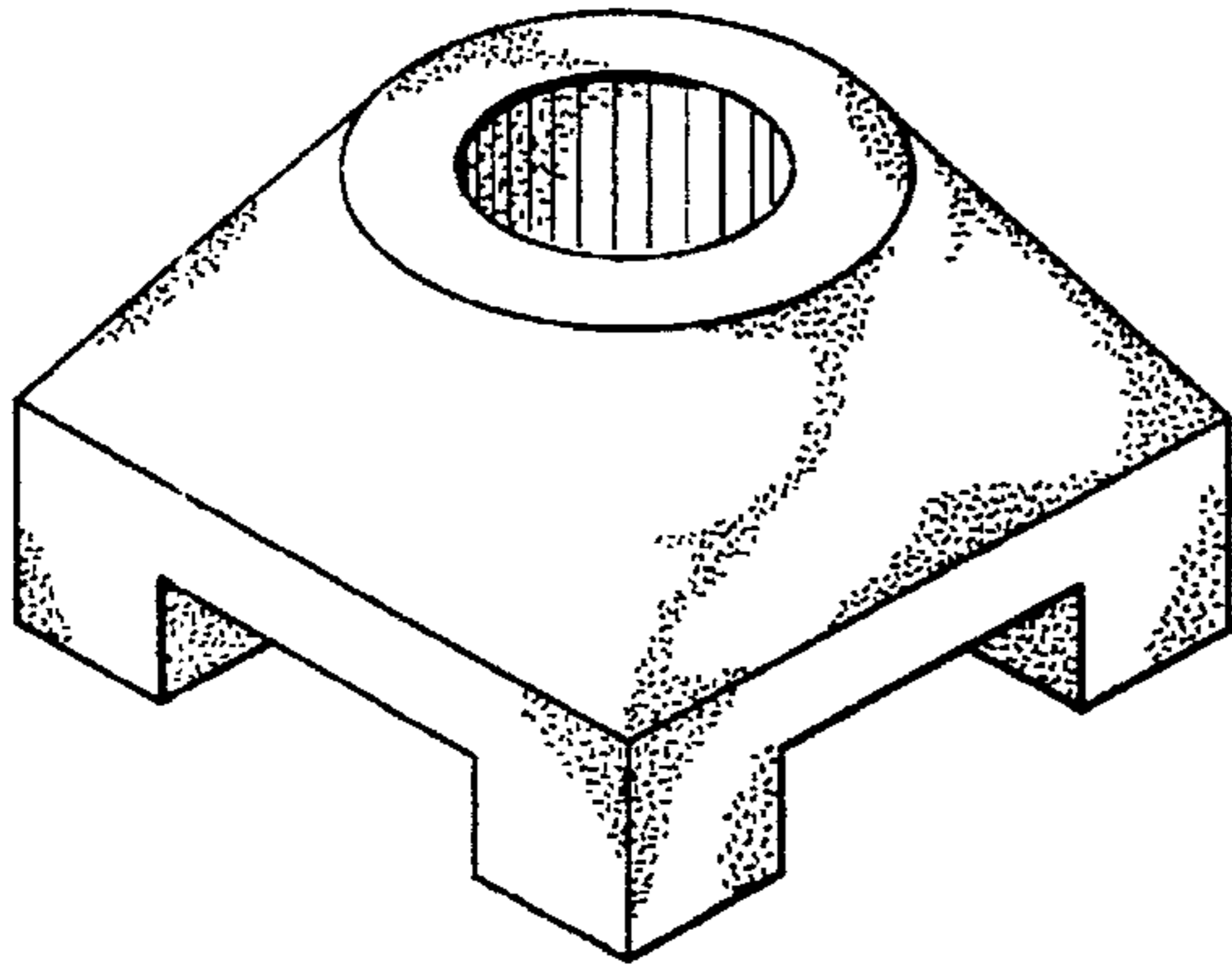


FIG. 1

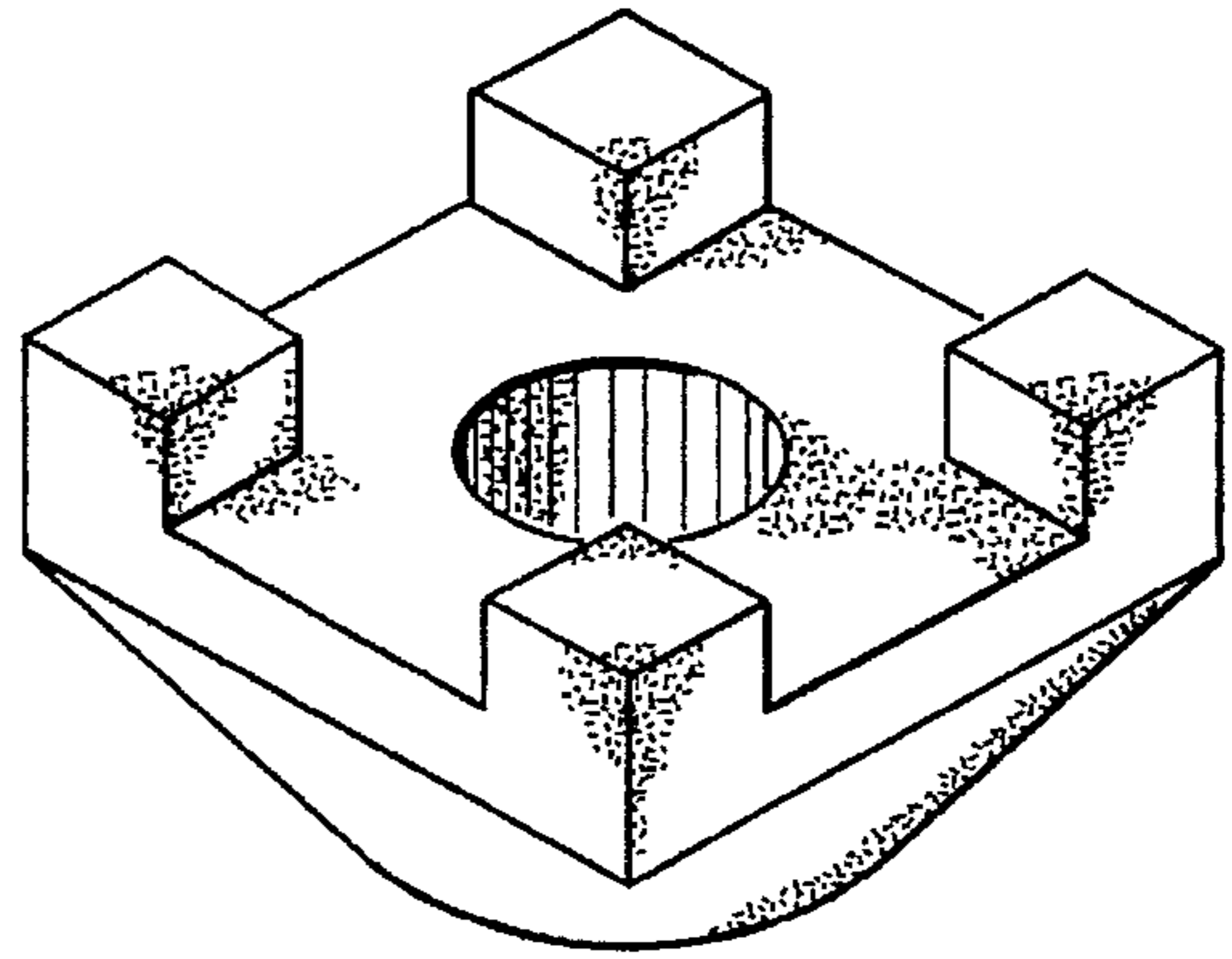


FIG. 2

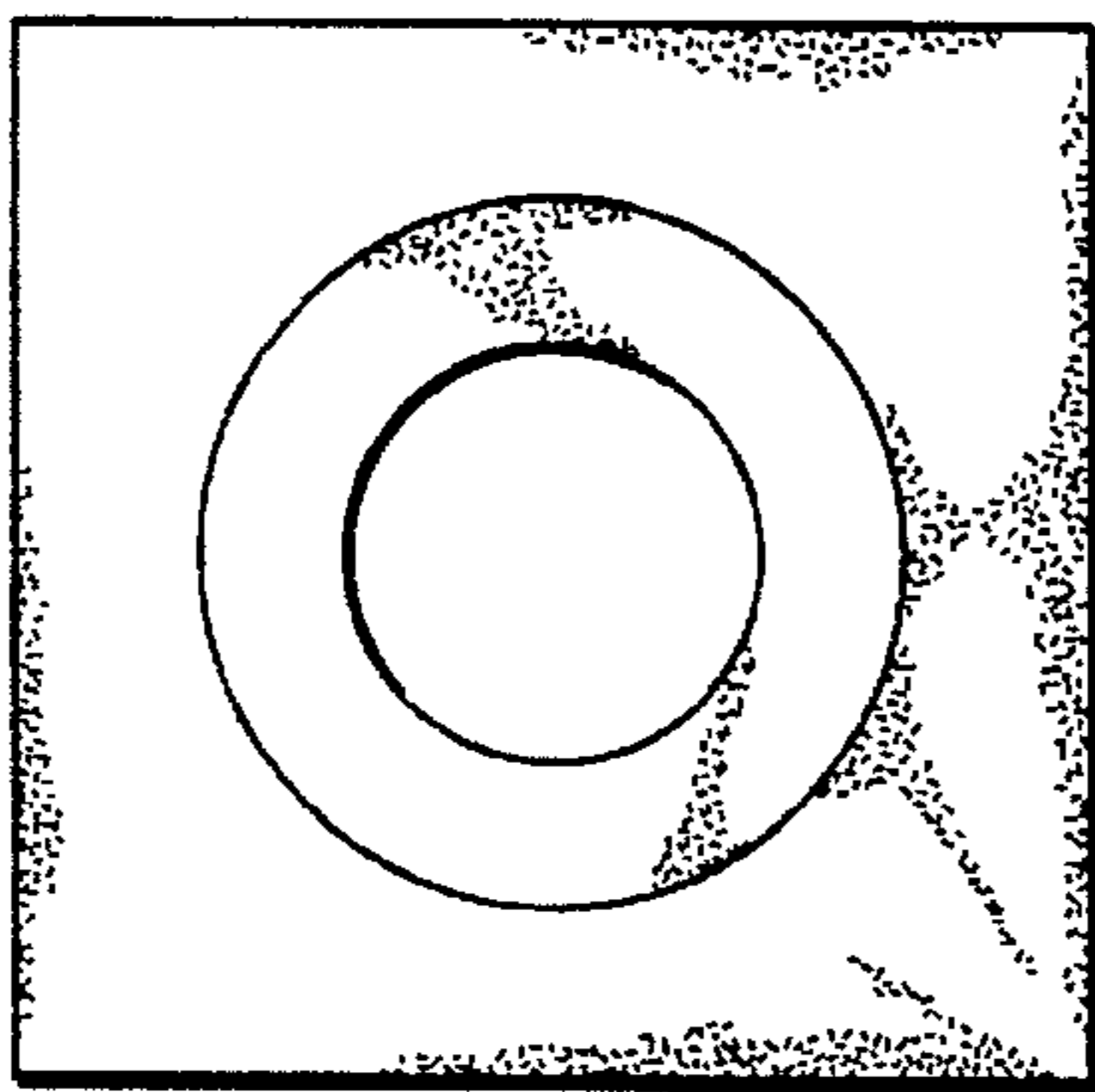


FIG. 3

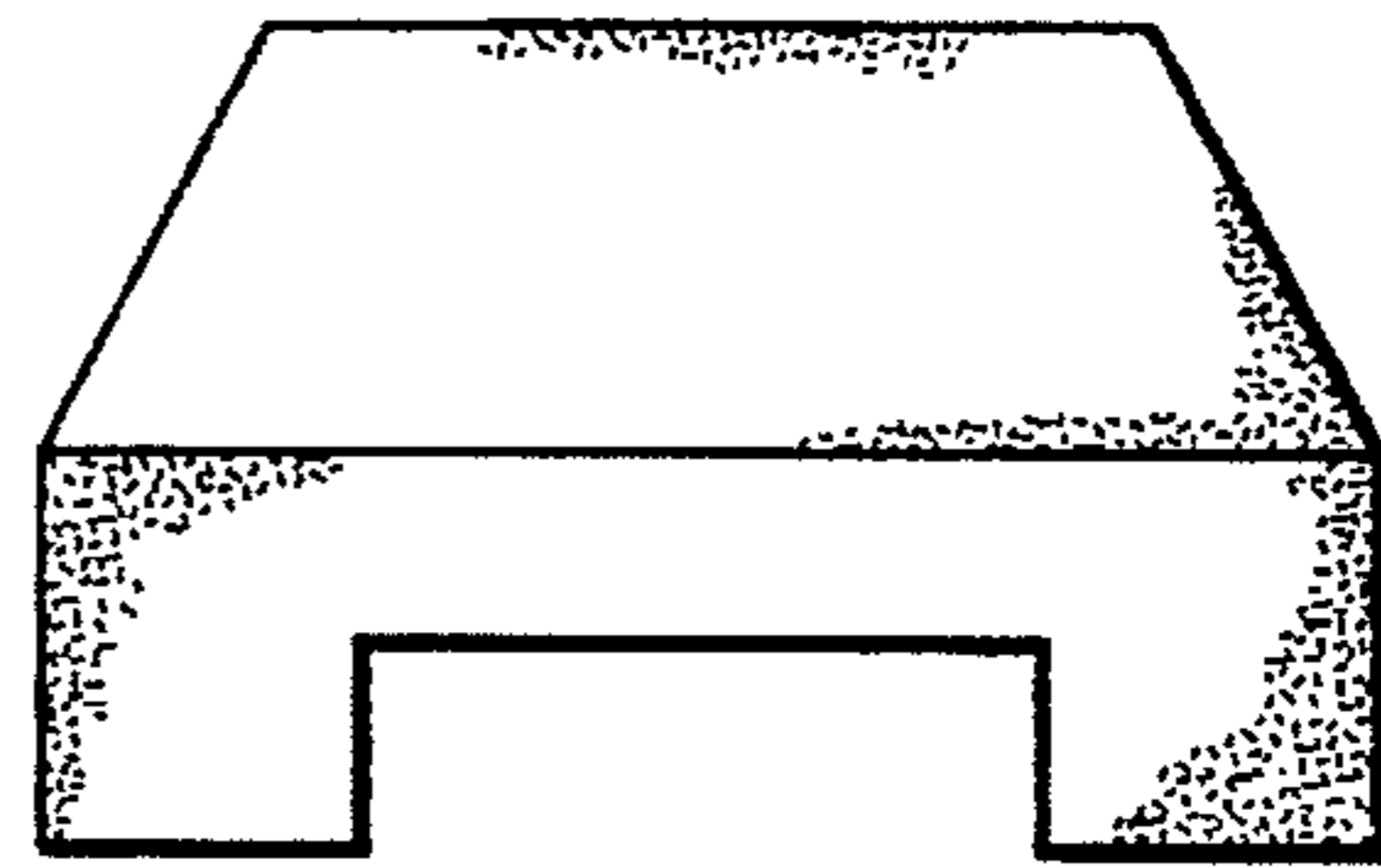


FIG. 4

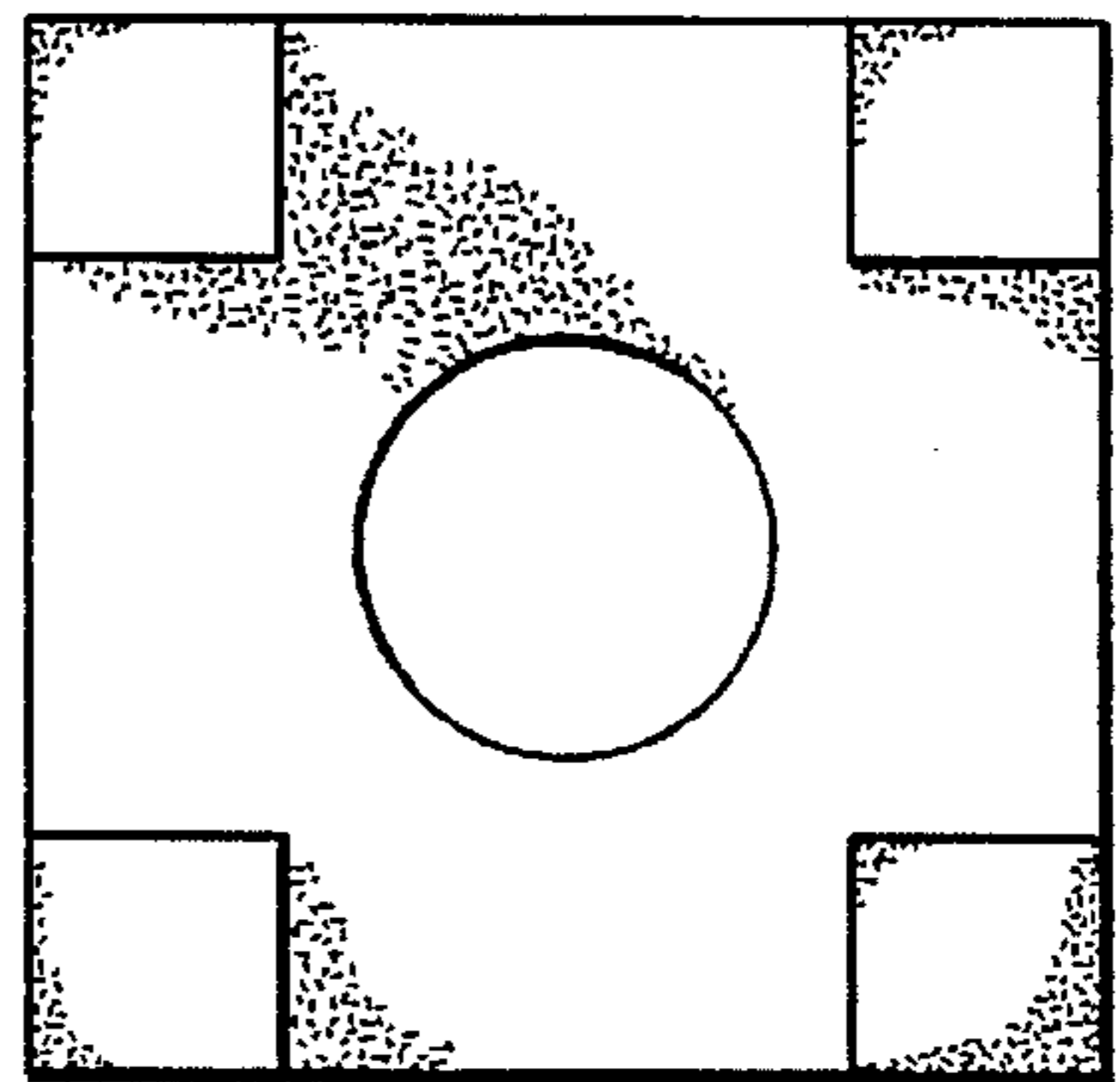


FIG. 5