



US00D382926S

United States Patent [19]
Wu

[11] **Patent Number: Des. 382,926**

[45] **Date of Patent: **Aug. 26, 1997**

[54] **EXERCISE BIKE'S CHAINGUARD**

D. 372,061 7/1996 Chen D21/194
5,149,312 9/1992 Croft et al. 482/62

[76] **Inventor: Mu-Chuan Wu**, 462-7, Chung Shan Road, Hsi Kang Hsiang, Tainan Hsien, Taiwan

Primary Examiner—Sandra L. Morris
Attorney, Agent, or Firm—Pro-Techtor International

[**] **Term: 14 Years**

[57] **CLAIM**

[21] **Appl. No.: 56,252**

The ornamental design for an exercise bike's chainguard, as shown.

[22] **Filed: Jun. 18, 1996**

DESCRIPTION

[51] **LOC (6) Cl. 21-02**

FIG. 1 is a perspective view of an exercise bike's chainguard showing my new design;

[52] **U.S. Cl. D21/194**

FIG. 2 is a front elevational view thereof;

[58] **Field of Search** D21/191, 194, D21/195; 482/51, 57, 58, 59, 62, 63; D12/126, 127

FIG. 3 is a rear elevational view thereof;

FIG. 4 is a left elevational view thereof;

FIG. 5 is a right elevational view thereof;

FIG. 6 is a top plan view thereof; and,

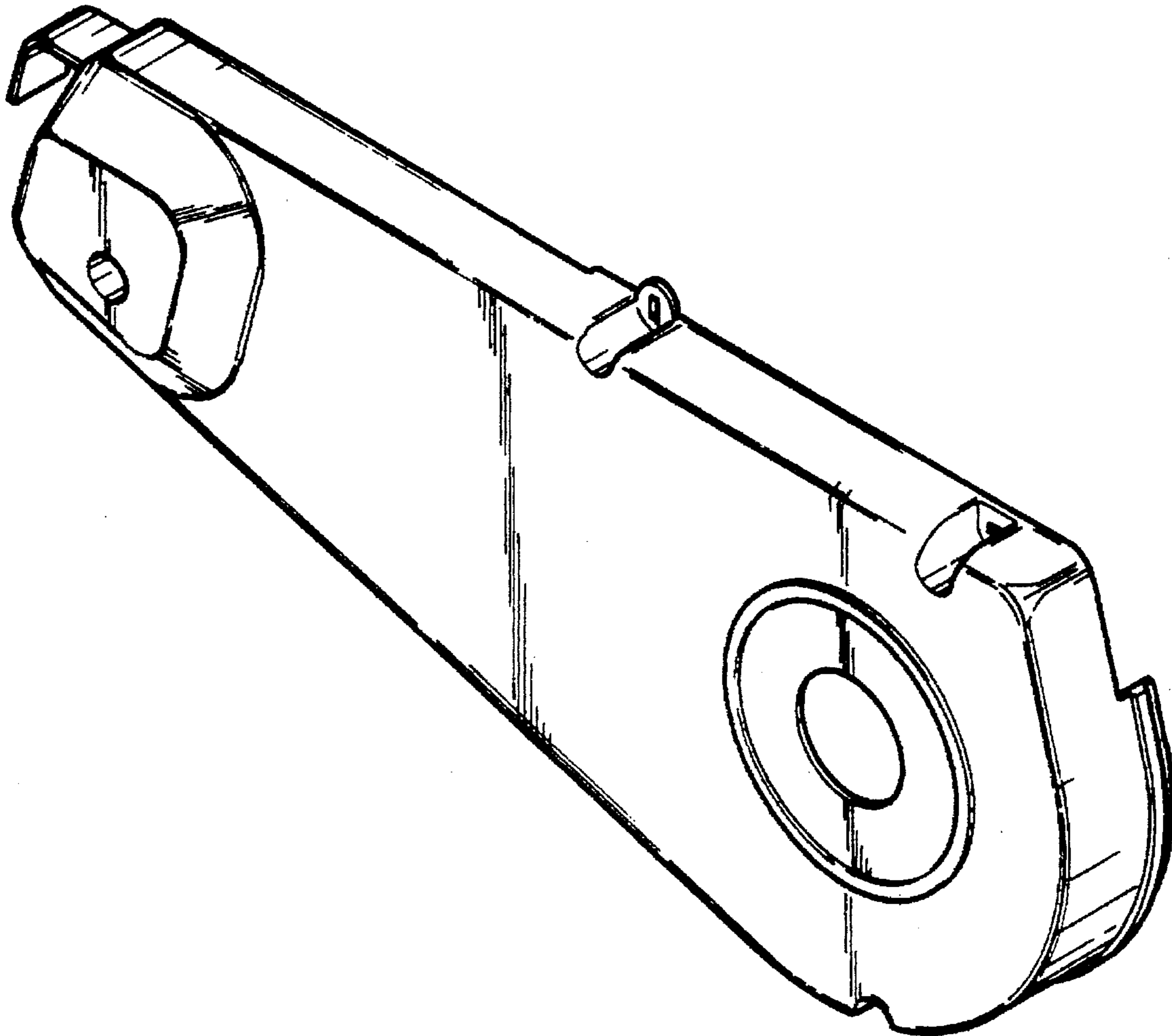
FIG. 7 is a bottom plan view.

[56] **References Cited**

U.S. PATENT DOCUMENTS

D. 309,337 7/1990 Yang D21/194
D. 319,480 8/1991 Byrd et al. D21/194

1 Claim, 3 Drawing Sheets



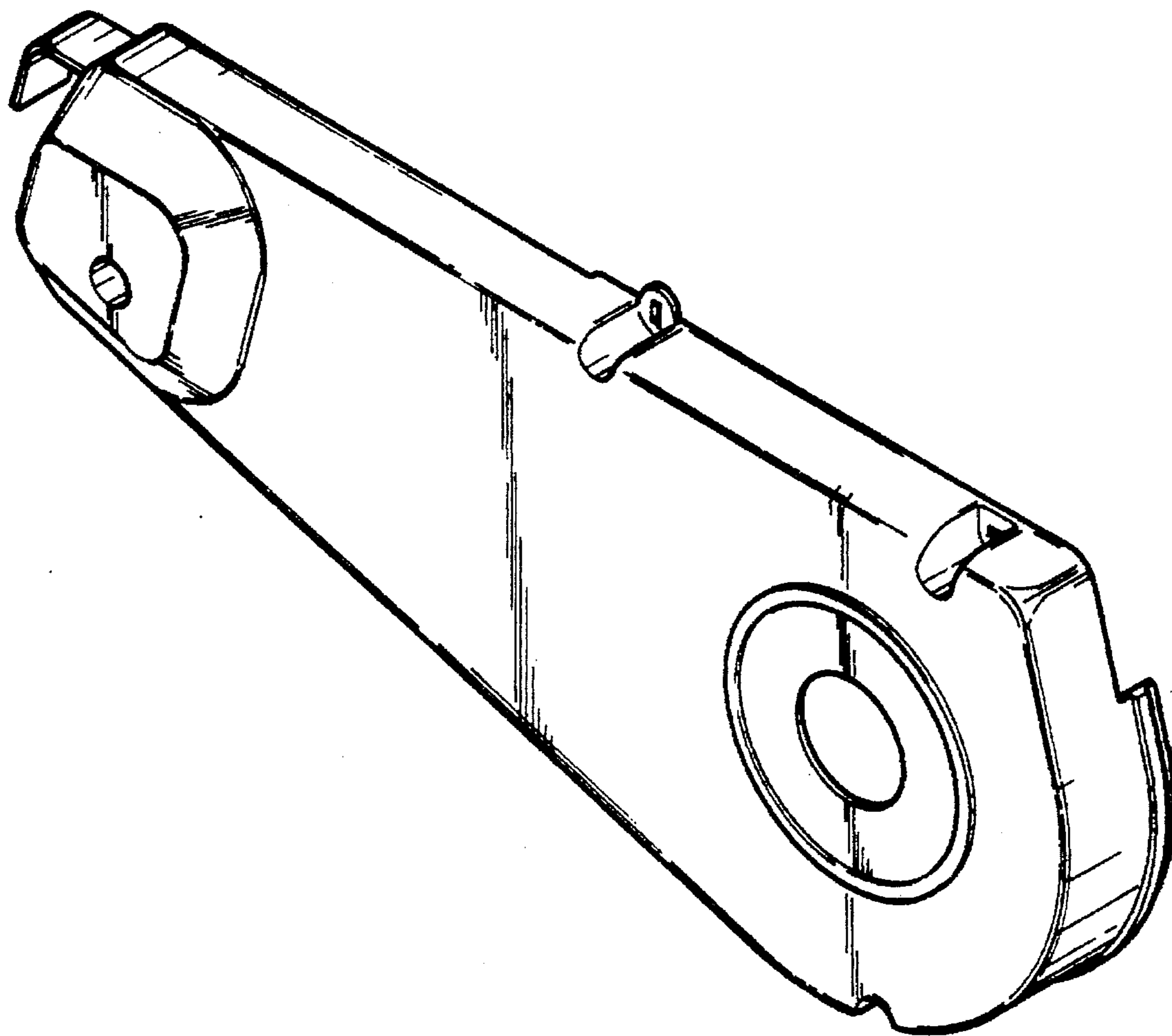


FIG.1

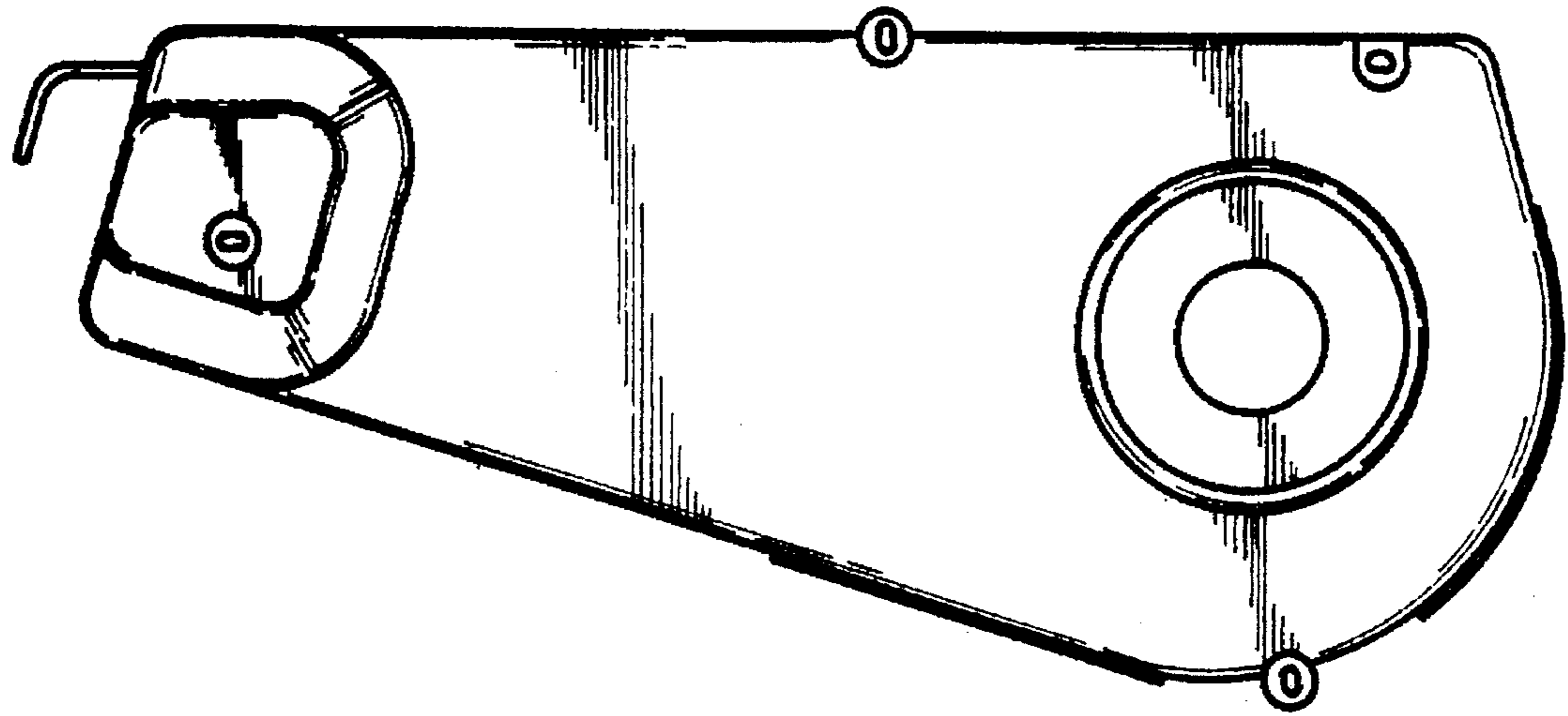


FIG. 2

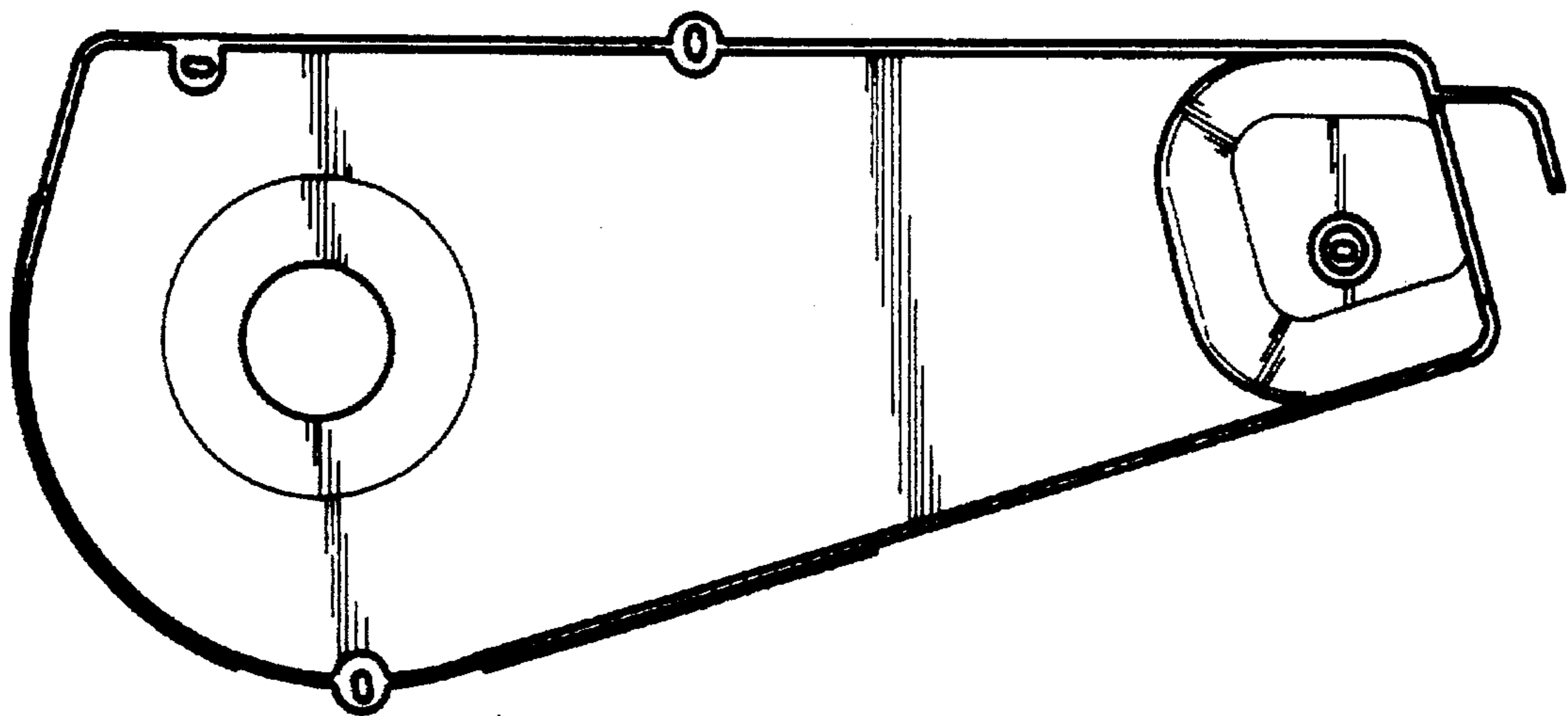


FIG. 3



FIG. 4



FIG. 5

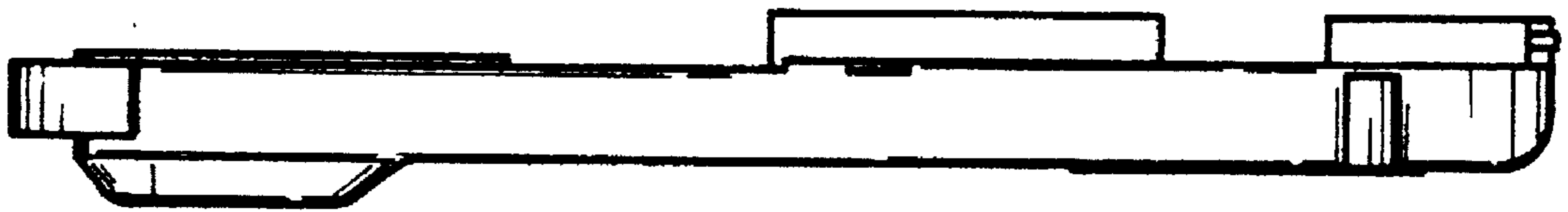


FIG. 6

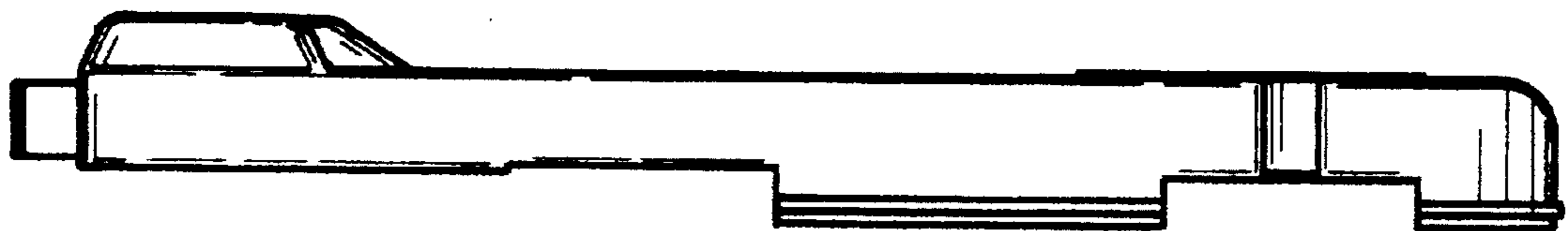


FIG. 7