



US00D382925S

United States Patent [19]

[11] Patent Number: **Des. 382,925**

Wu

[45] Date of Patent: ****Aug. 26, 1997**

[54] **EXERCISE BIKE**

[76] Inventor: **Mu-Chuan Wu**, 462-7, Chung Shan Road, Hsi Kang Hsiang, Tainan Hsien, Taiwan

[**] Term: **14 Years**

[21] Appl. No.: **56,251**

[22] Filed: **Jun. 18, 1996**

[51] LOC (6) Cl. **21-02**

[52] U.S. Cl. **D21/194**

[58] Field of Search D21/191, 194;
482/51, 57, 58, 59, 62, 63

[56] **References Cited**

U.S. PATENT DOCUMENTS

- D. 280,226 8/1985 Kasuba et al. D21/194
- D. 285,816 9/1986 Bertsson D21/194
- D. 289,669 5/1987 Kasuba et al. D21/194

- D. 302,990 8/1989 Beistegui D21/194
- D. 343,659 1/1994 Kiiski D21/194
- D. 344,774 3/1994 Lertyaovarit D21/194
- D. 360,002 7/1995 Wu D21/194

Primary Examiner—Sandra L. Morris
Attorney, Agent, or Firm—Pro-Techtor International

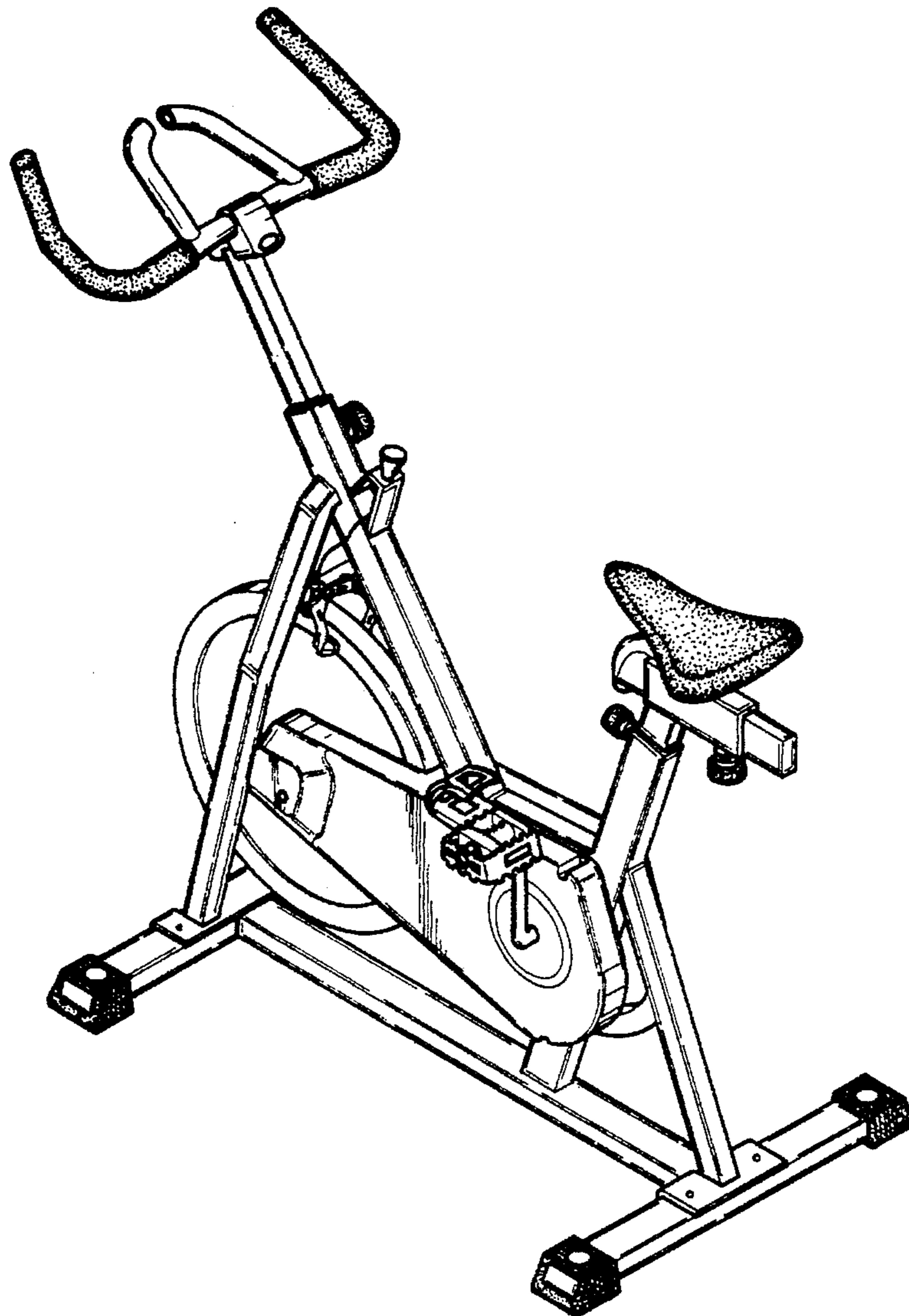
[57] **CLAIM**

The ornamental design for an exercise bike, as shown.

DESCRIPTION

FIG. 1 is a perspective view of an exercise bike showing my new design;
 FIG. 2 is a front elevational view thereof;
 FIG. 3 is a rear elevational view thereof;
 FIG. 4 is a left elevational view thereof;
 FIG. 5 is a right elevational view thereof;
 FIG. 6 is a top plan view thereof; and,
 FIG. 7 is a bottom plan view.

1 Claim, 5 Drawing Sheets



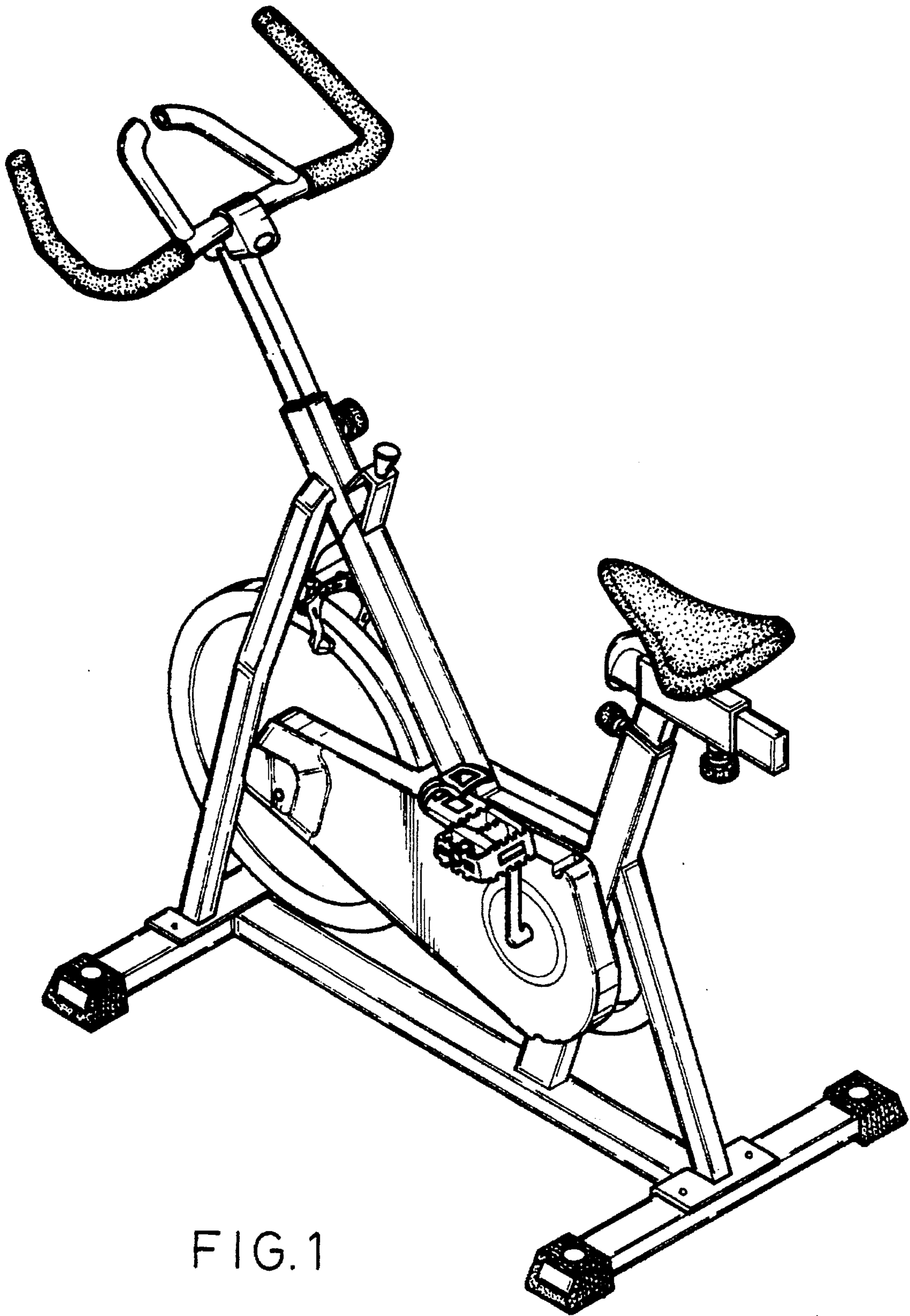


FIG. 1

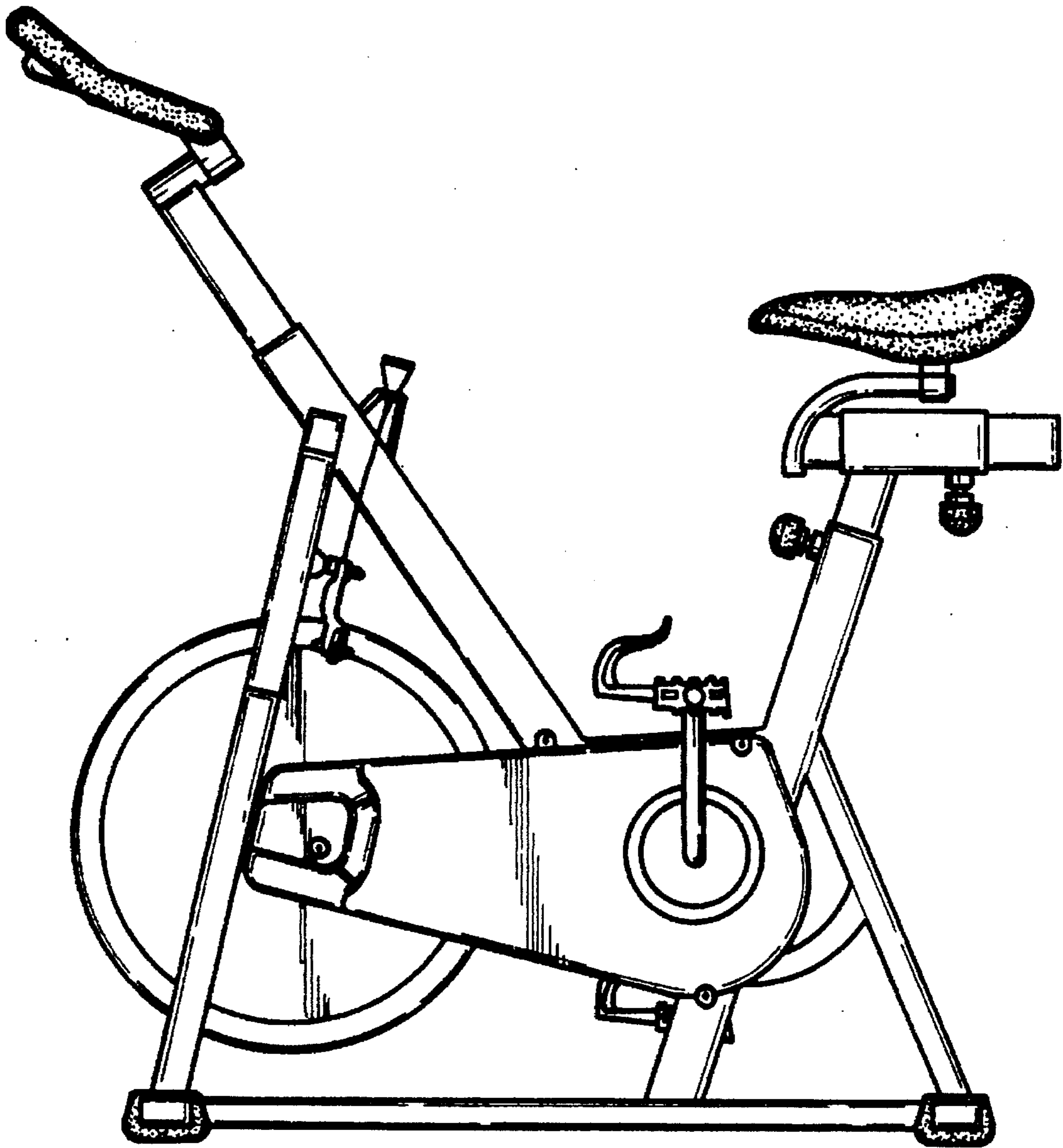


FIG. 2

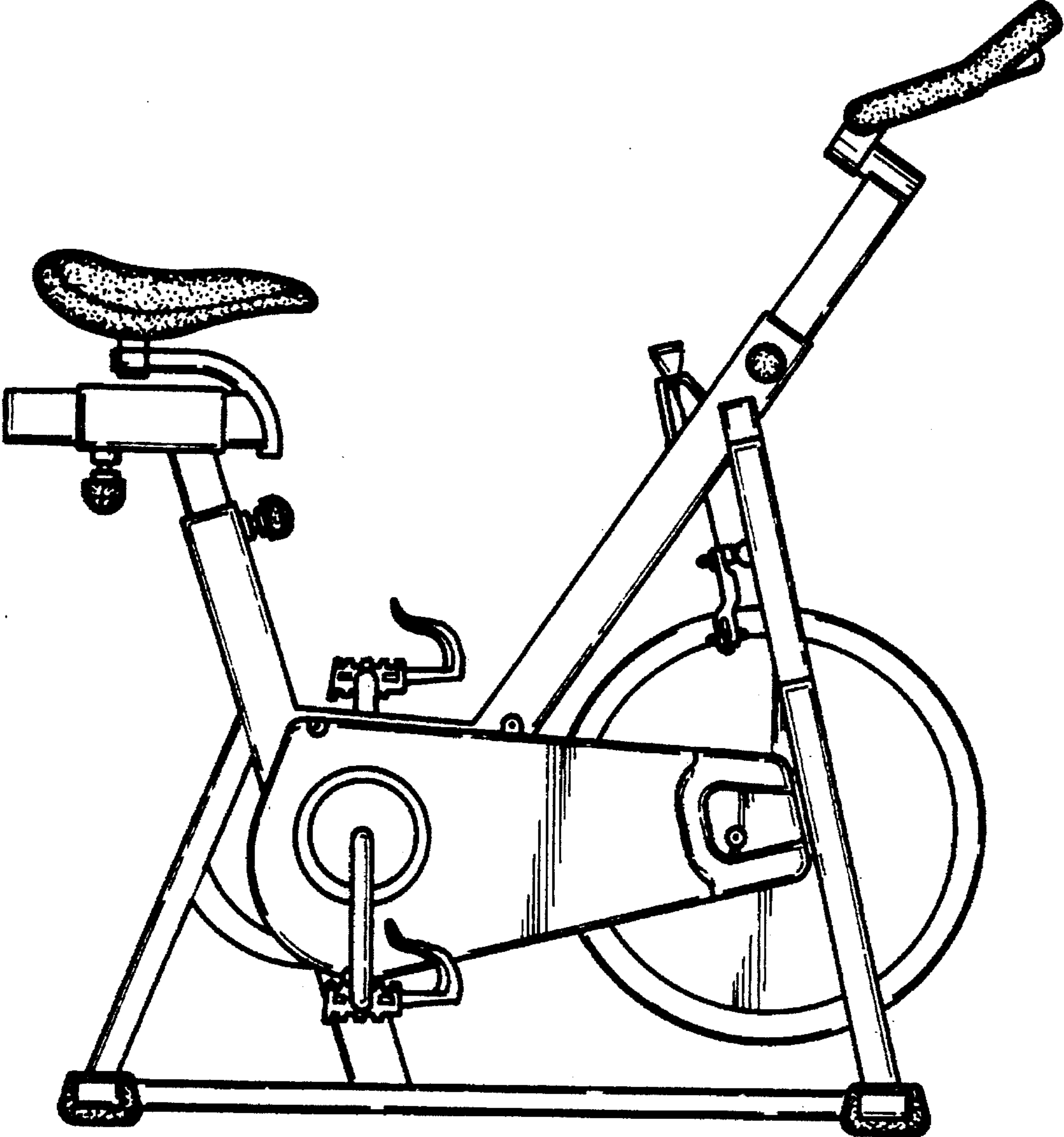


FIG. 3

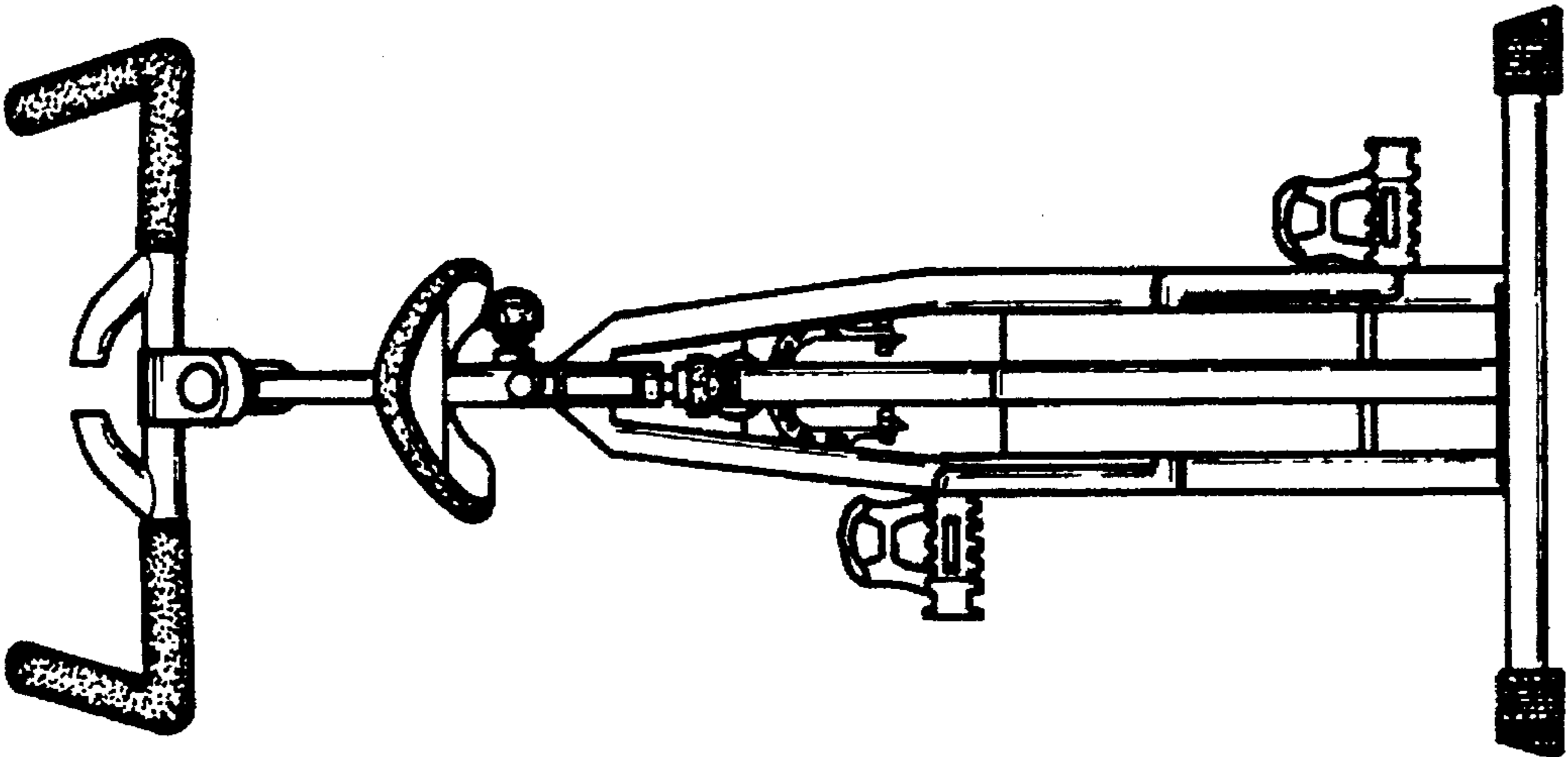


FIG. 5

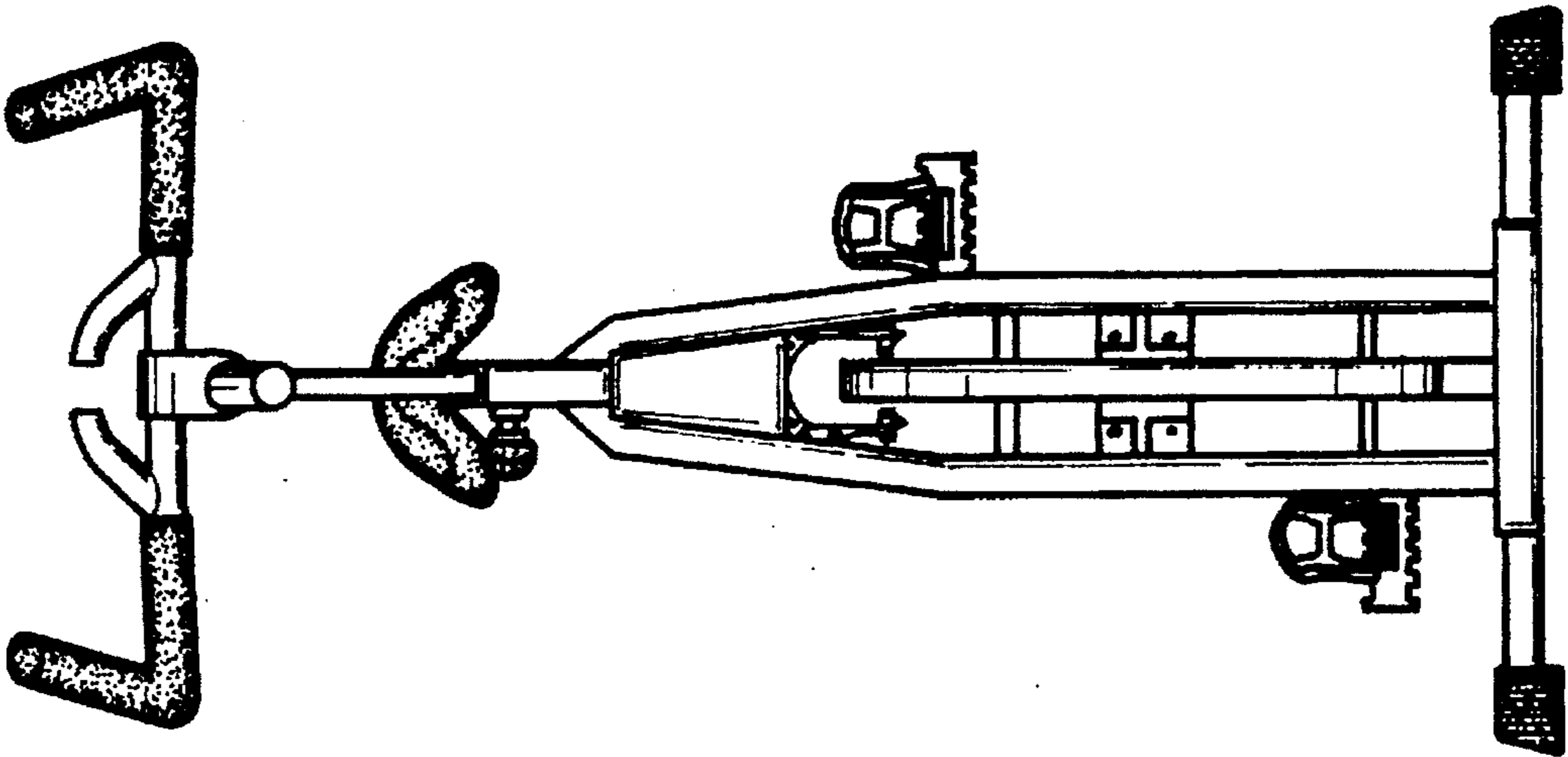


FIG. 4

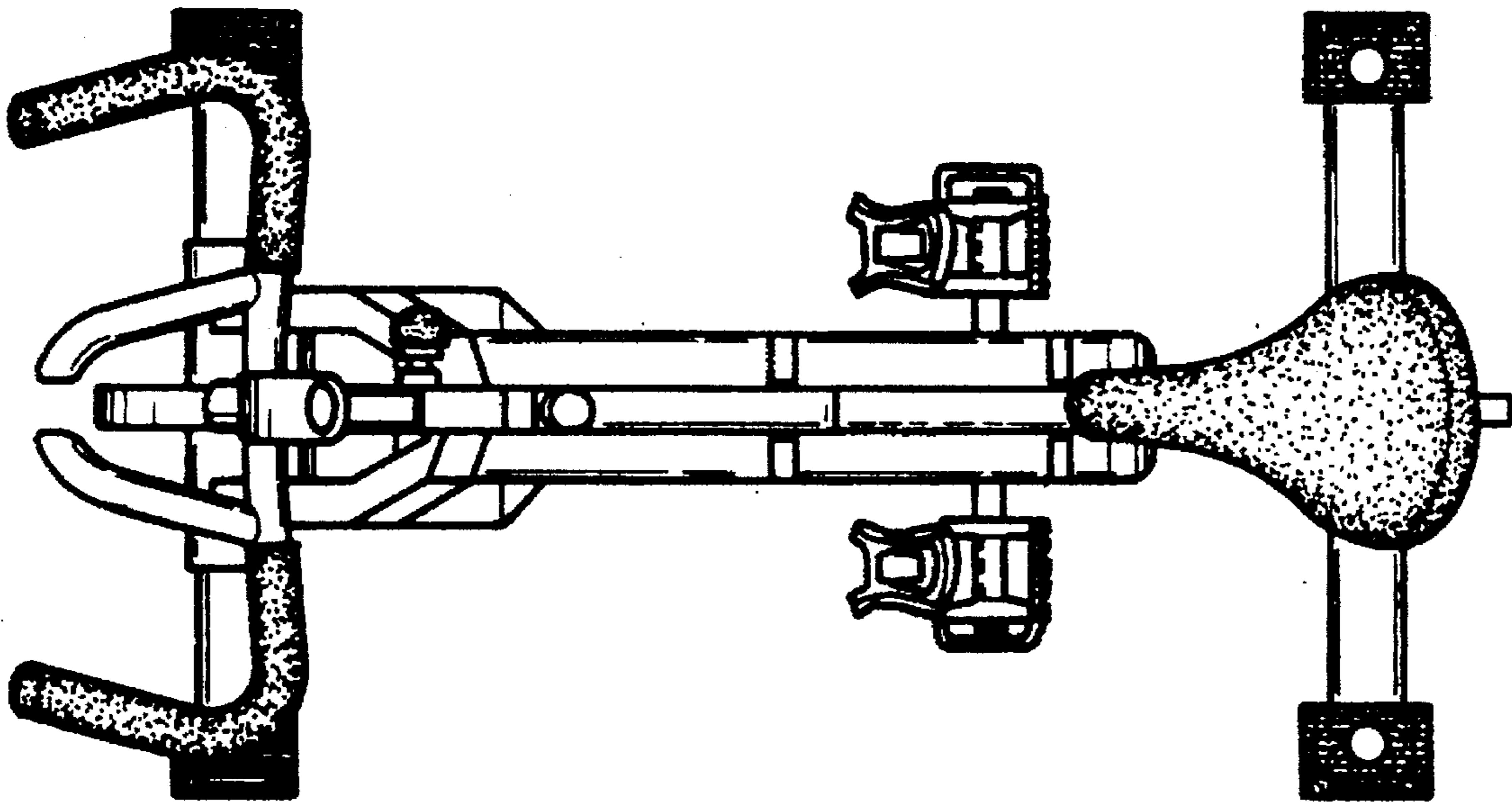


FIG. 6

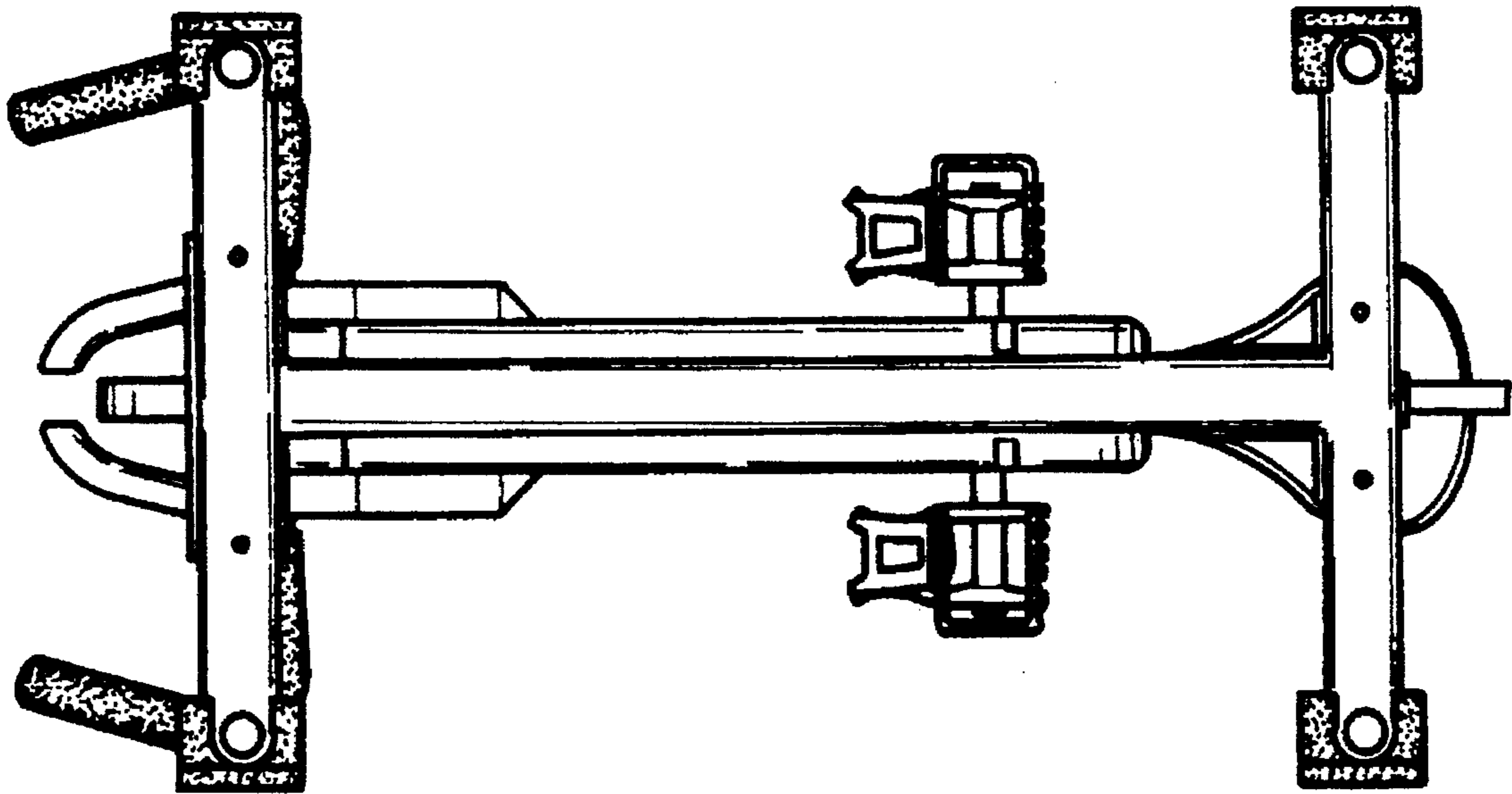


FIG. 7