



US00D382924S

United States Patent [19]

Wu

[11] Patent Number: **Des. 382,924**

[45] Date of Patent: ****Aug. 26, 1997**

[54] **EXERCISE BIKE**

[76] Inventor: **Mu-Chuan Wu**, No. 462-7, Chung Shan Road, Hsi Kang Hsiang, Tainan Hsien, Taiwan

[**] Term: **14 Years**

[21] Appl. No.: **53,830**

[22] Filed: **Apr. 30, 1996**

[51] LOC (6) Cl. **21-02**

[52] U.S. Cl. **D21/194**

[58] Field of Search D21/191, 192, D21/194, 195; 482/51, 57, 58, 59, 62, 64

[56] **References Cited**

U.S. PATENT DOCUMENTS

D. 281,520	11/1985	Kiiski	D21/194
D. 281,711	12/1985	Hiivola	D21/194
D. 285,816	9/1986	Berntsson	D21/194
D. 291,713	9/1987	Kiiski	D21/194
D. 293,598	1/1988	Kiiski	D21/194

D. 299,504	1/1989	Hong et al.	D21/194
D. 299,732	2/1989	Gustafsson	D21/194
D. 301,160	5/1989	Hung	D21/194
D. 307,166	4/1990	Wu	D21/194
D. 323,368	1/1992	Whitesel	D21/194
D. 372,284	7/1996	Wang et al.	D21/194

Primary Examiner—Philip S. Hyder
Attorney, Agent, or Firm—Pro-Techt International

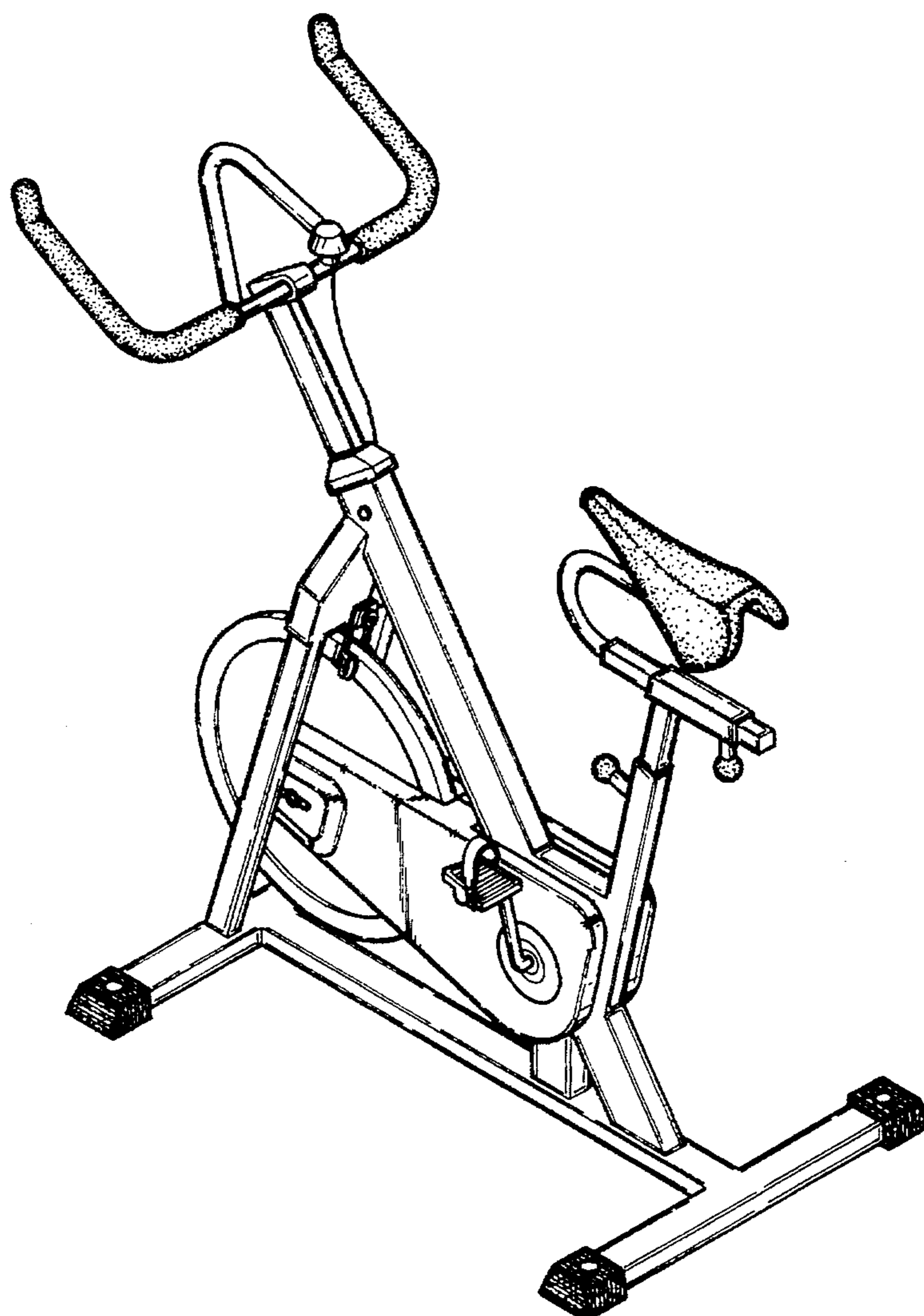
[57] **CLAIM**

The ornamental design for an exercise bike, as shown.

DESCRIPTION

FIG. 1 is a perspective view of an exercise bike showing my new design;
FIG. 2 is a front elevational view thereof;
FIG. 3 is a rear elevational view thereof;
FIG. 4 is a left elevational view thereof;
FIG. 5 is a right elevational view thereof;
FIG. 6 is a top plan view thereof; and,
FIG. 7 is a bottom plan view.

1 Claim, 5 Drawing Sheets



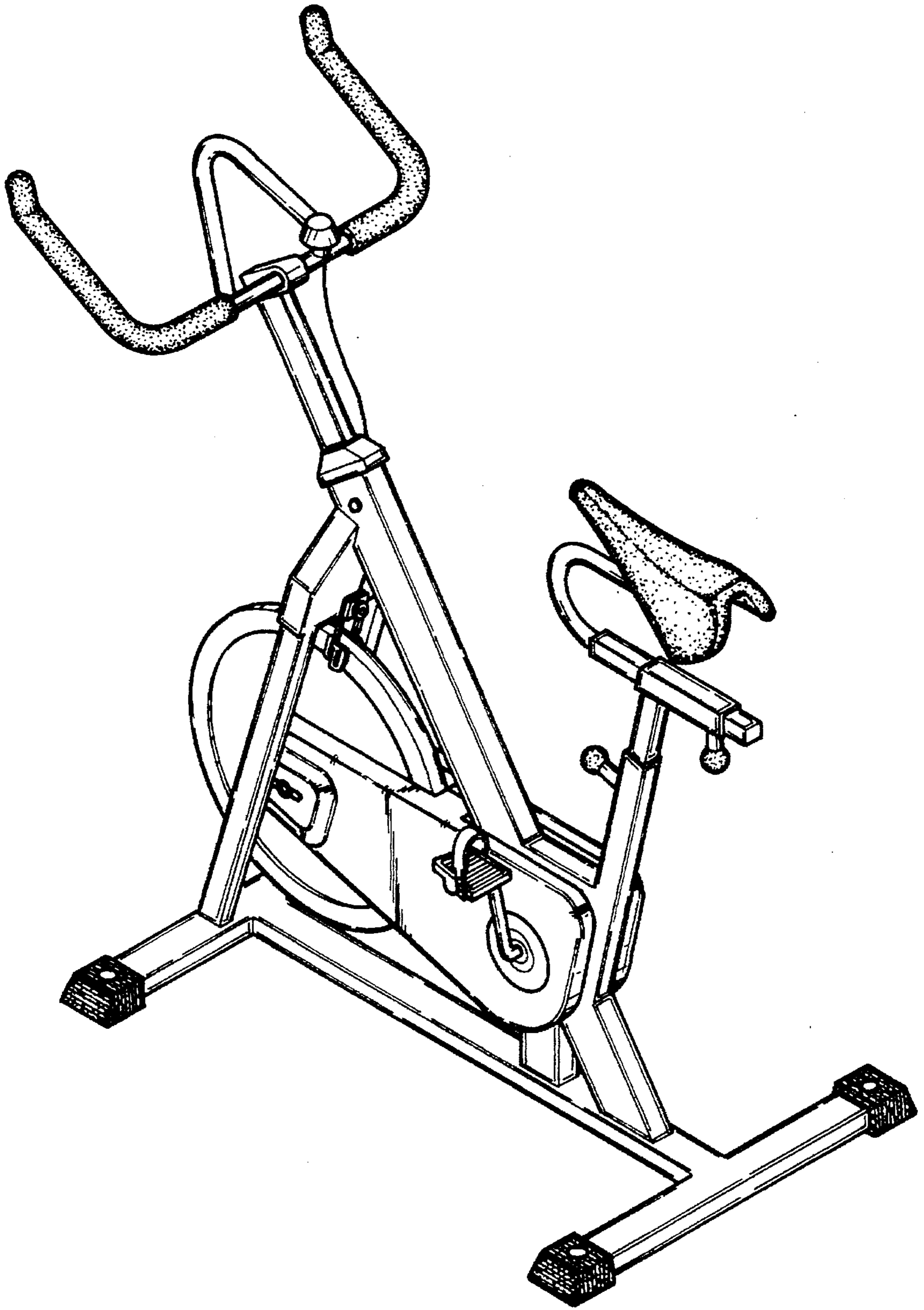


FIG. 1

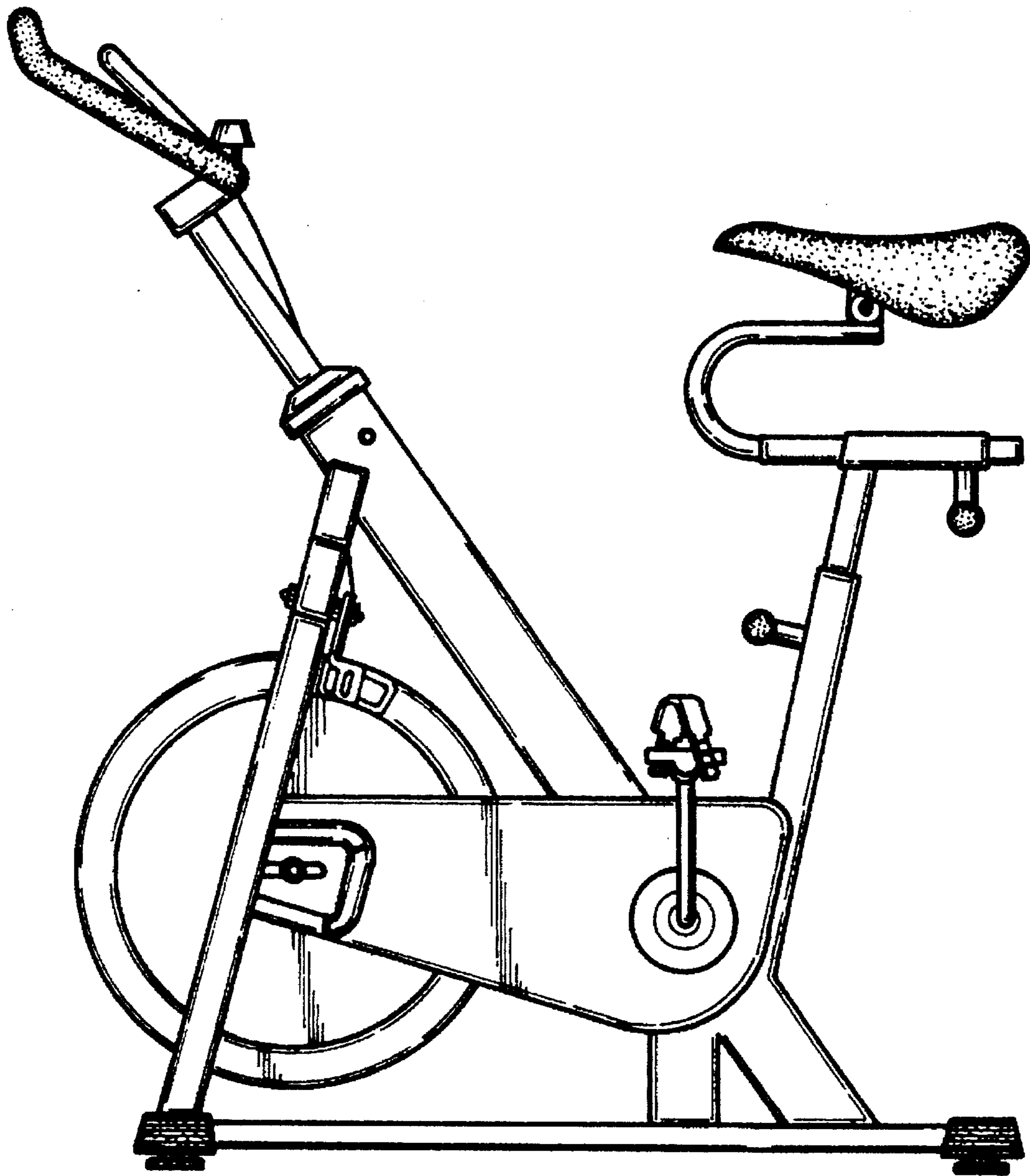


FIG. 2

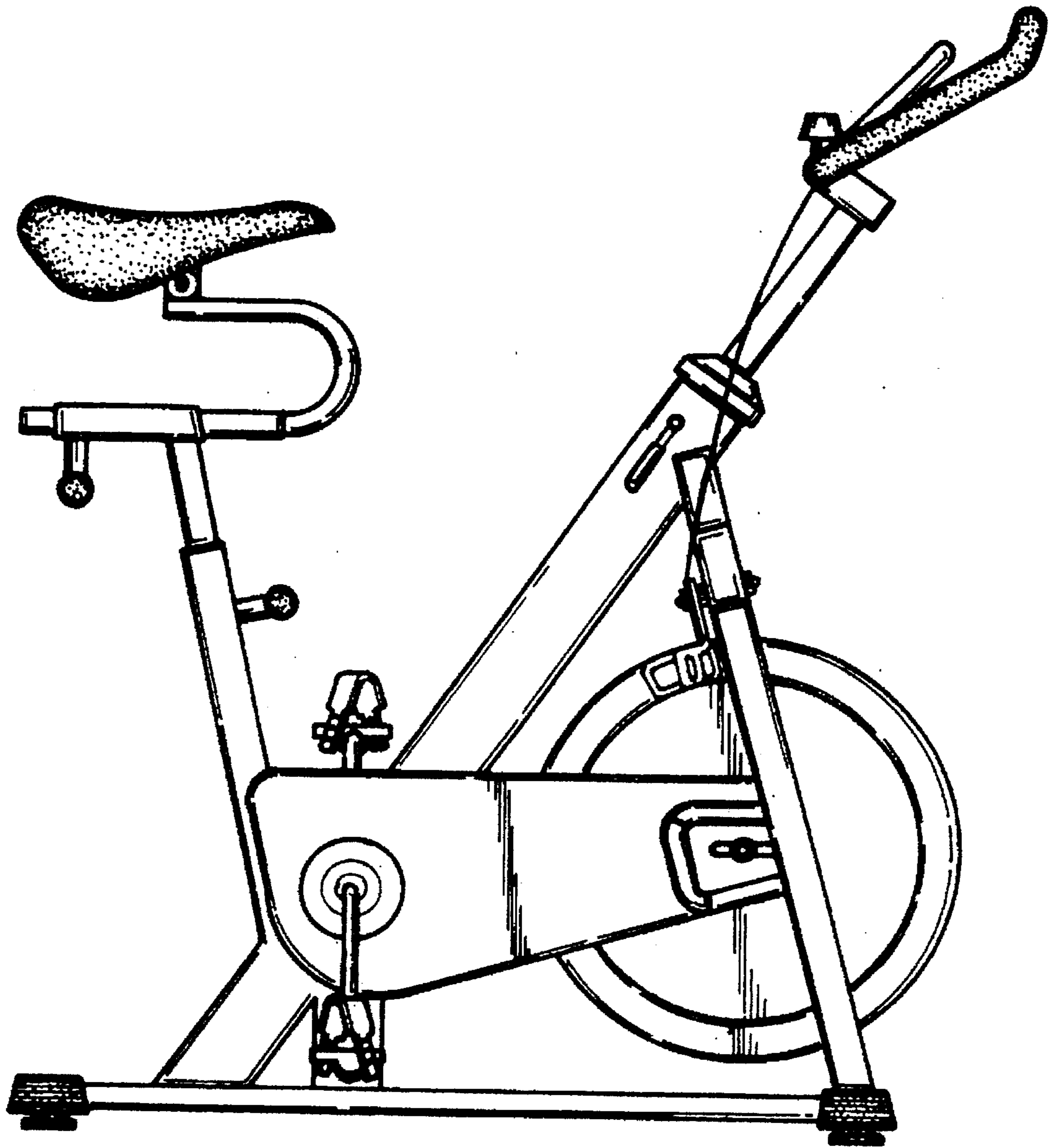


FIG. 3

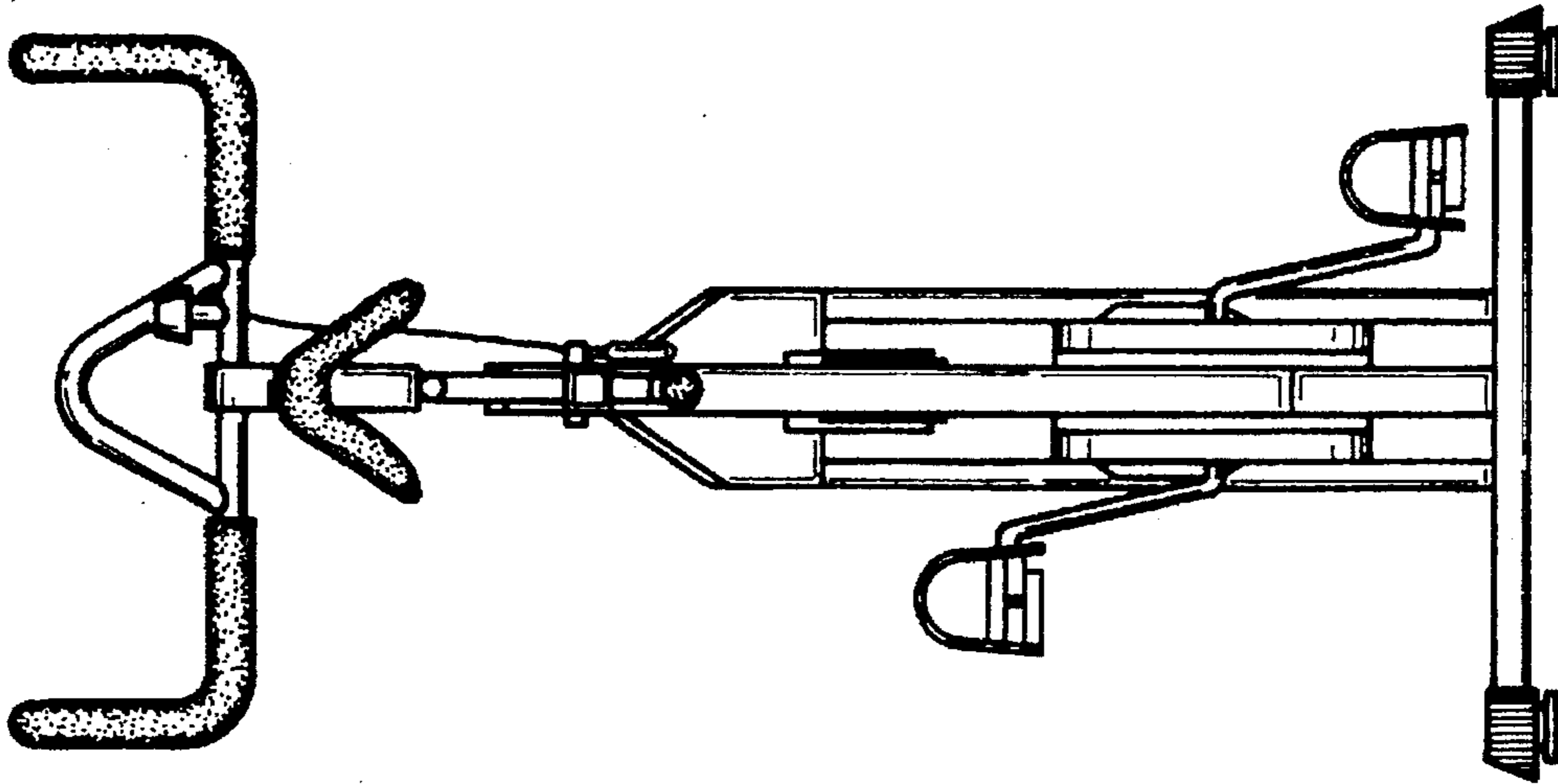


FIG. 5

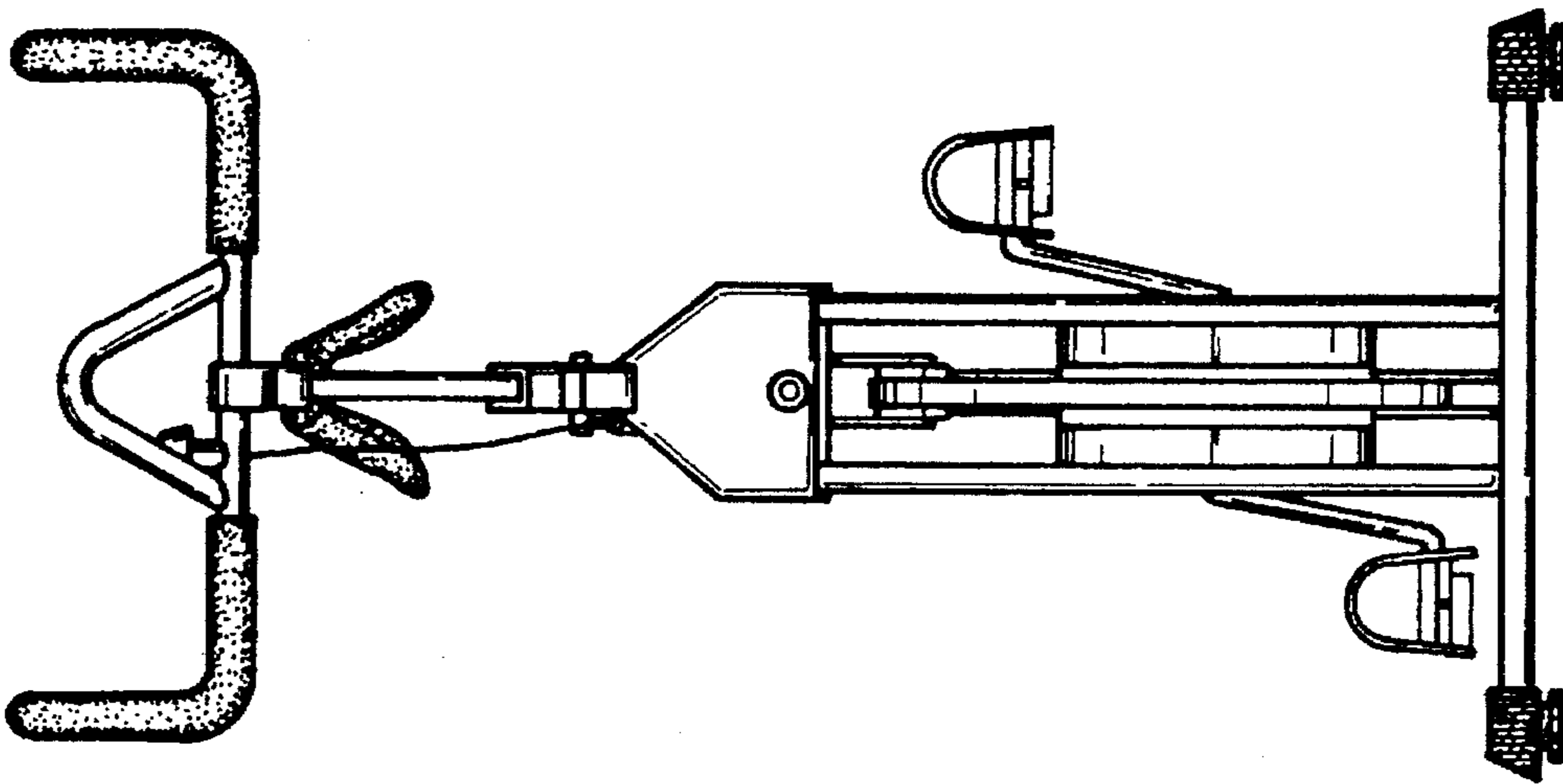


FIG. 4

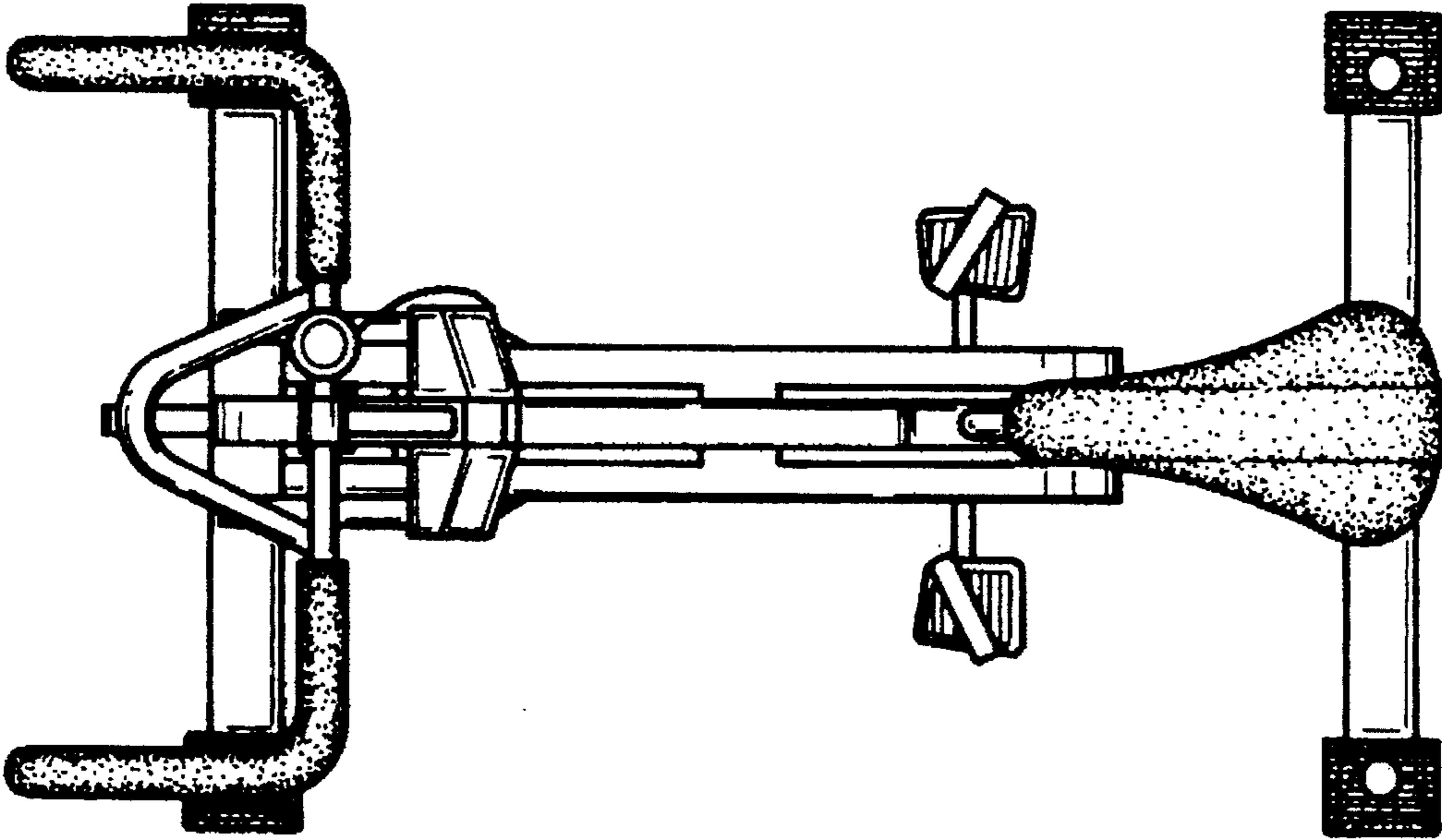


FIG. 6

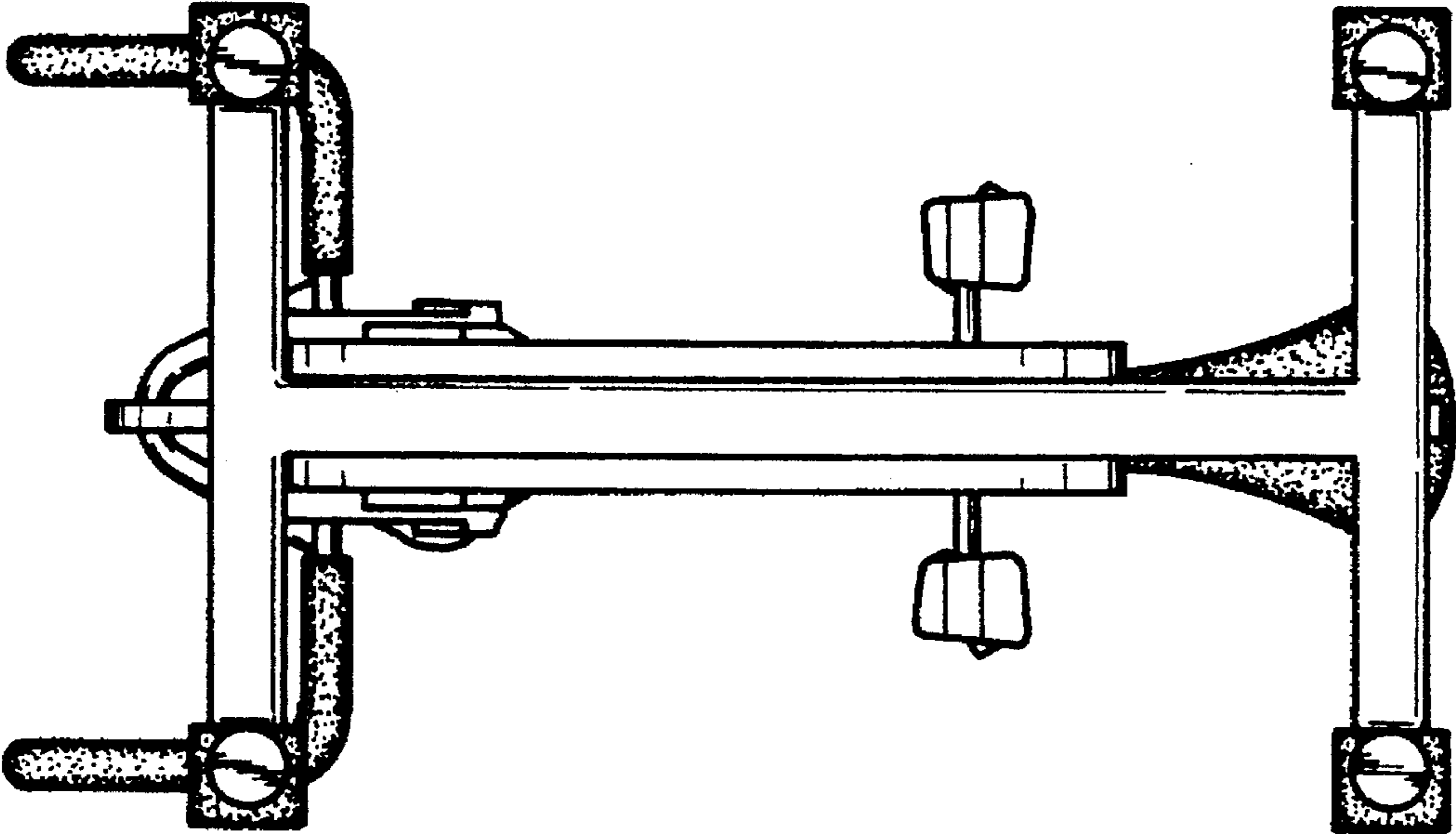


FIG. 7