



US00D382921S

# United States Patent [19] Pipik

[11] Patent Number: **Des. 382,921**  
[45] Date of Patent: **\*\*Aug. 26, 1997**

[54] **PLAY KITCHEN** 4,515,359 5/1985 Mariol ..... 446/481  
[75] Inventor: **Nancy Pipik**, Hudson, Ohio  
[73] Assignee: **The Little Tikes Company**, Hudson, Ohio  
[\*\*] Term: **14 Years**  
[21] Appl. No.: **56,978**  
[22] Filed: **Jul. 12, 1996**  
[51] **LOC (6) Cl.** ..... **21-01**  
[52] **U.S. Cl.** ..... **D21/122**  
[58] **Field of Search** ..... **D21/120, 121, 212, 213, 214, 215, 216, 217, 218, 219, 220, 221, 222, 223, 224, 225, 226, 227, 228, 229, 230, 231, 232, 233, 234, 235, 236, 237, 238, 239, 240, 241, 242, 243, 244, 245, 246, 247, 248, 249, 250, 251, 252, 253, 254, 255, 256, 257, 258, 259, 260, 261, 262, 263, 264, 265, 266, 267, 268, 269, 270, 271, 272, 273, 274, 275, 276, 277, 278, 279, 280, 281, 282, 283, 284, 285, 286, 287, 288, 289, 290, 291, 292, 293, 294, 295, 296, 297, 298, 299, 300, 301, 302, 303, 304, 305, 306, 307, 308, 309, 310, 311, 312, 313, 314, 315, 316, 317, 318, 319, 320, 321, 322, 323, 324, 325, 326, 327, 328, 329, 330, 331, 332, 333, 334, 335, 336, 337, 338, 339, 340, 341, 342, 343, 344, 345, 346, 347, 348, 349, 350, 351, 352, 353, 354, 355, 356, 357, 358, 359, 360, 361, 362, 363, 364, 365, 366, 367, 368, 369, 370, 371, 372, 373, 374, 375, 376, 377, 378, 379, 380, 381, 382, 383, 384, 385, 386, 387, 388, 389, 390, 391, 392, 393, 394, 395, 396, 397, 398, 399, 400, 401, 402, 403, 404, 405, 406, 407, 408, 409, 410, 411, 412, 413, 414, 415, 416, 417, 418, 419, 420, 421, 422, 423, 424, 425, 426, 427, 428, 429, 430, 431, 432, 433, 434, 435, 436, 437, 438, 439, 440, 441, 442, 443, 444, 445, 446, 447, 448, 449, 450, 451, 452, 453, 454, 455, 456, 457, 458, 459, 460, 461, 462, 463, 464, 465, 466, 467, 468, 469, 470, 471, 472, 473, 474, 475, 476, 477, 478, 479, 480, 481, 482, 483, 484, 485**

### [56] **References Cited** **U.S. PATENT DOCUMENTS**

D. 258,162	2/1981	Orenstein et al. .	
D. 258,163	2/1981	Orenstein et al. ....	D21/122
D. 276,928	12/1984	Nottingham et al. .	
D. 277,204	1/1985	Nottingham et al. .	
D. 288,702	3/1987	Bedell et al. ....	D21/122
D. 293,699	1/1988	Thornell .	
D. 294,277	2/1988	Kamentsky ....	D21/122
D. 294,608	3/1988	Benedetto et al. .	
D. 299,839	2/1989	Argandona ....	D21/122
D. 328,623	8/1992	Zinter-Chahin ....	D21/122
D. 345,592	3/1994	Houry et al. .	
D. 366,292	1/1996	Monneret ....	D21/122
D. 370,947	6/1996	Pipik .	
4,135,315	1/1979	McKee ....	446/482

### OTHER PUBLICATIONS

P. 78. Play kitchen center; Fisher-Price, Inc., 620 Girard Avenue, East Aurora, New York 14052. Publication date 1995.  
P. 15, Play kitchen; Today's Kids, Inc., Highway 10 East, Bonnevillle, Arkansas 72927. Publication date 1994.  
Pp. 16, 17 and 18, Play kitchens; Step 2 Corp., Streetsboro, Ohio. Publication date 1996.  
P. 67, Play grocery store; The Little Tikes Company, 2180 Barlow Road, Hudson, Ohio 44691. Publication date 1994.  
P. 107, Toy play kitchen; The Little Tikes Company, 2180 Barlow Road, Hudson, Ohio 44691. Publication date 1992.

*Primary Examiner*—Raphael Barkai  
*Attorney, Agent, or Firm*—Richard B. O'Planick; Lisa B. Riedesel

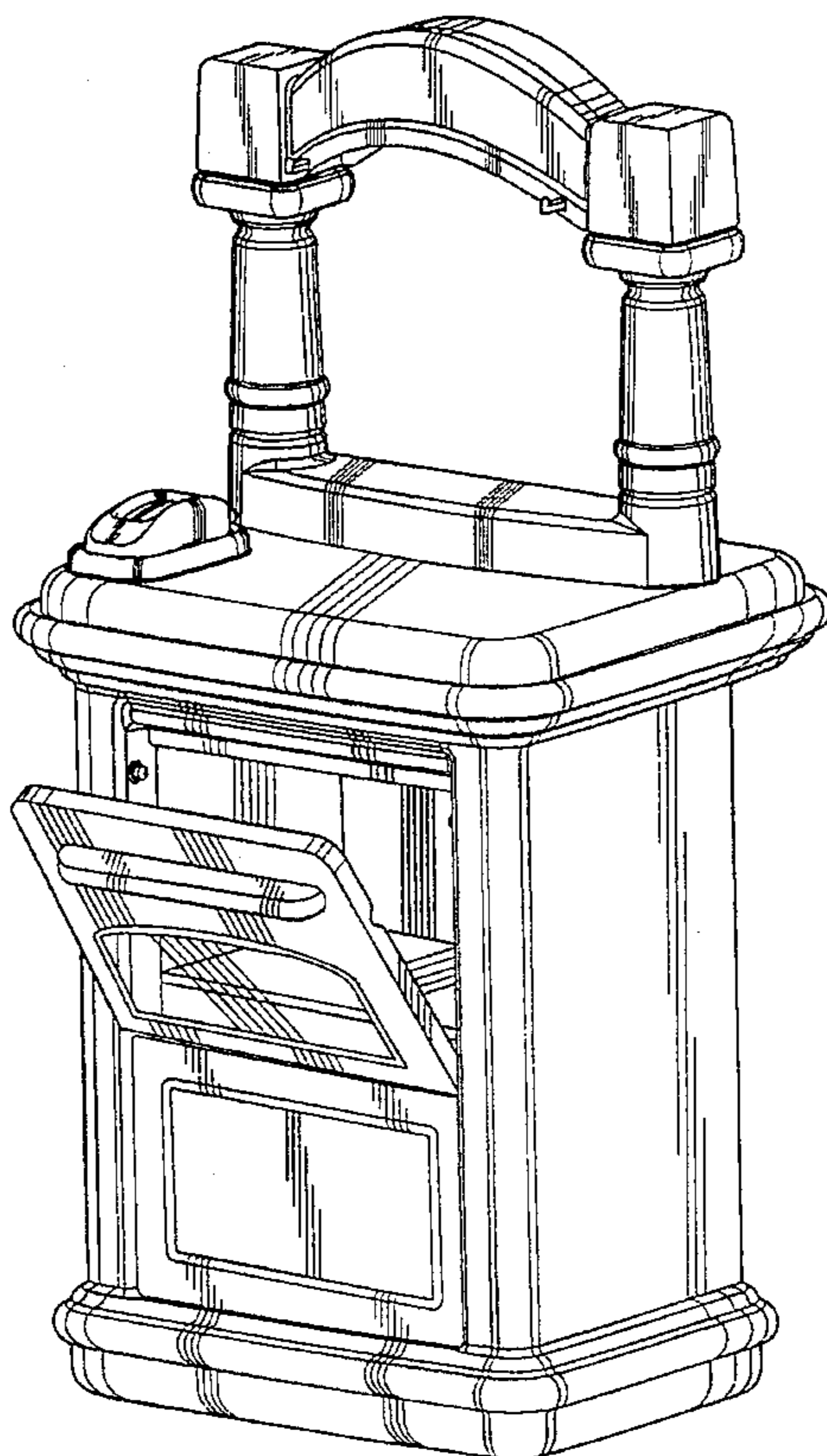
### [57] **CLAIM**

The ornamental design for a play kitchen, as shown and described.

### **DESCRIPTION**

FIG. 1 is a top right front perspective view of a play kitchen showing my new design;  
FIG. 2 is a front elevational view thereof;  
FIG. 3 is a rear elevational view thereof;  
FIG. 4 is a left side elevational view thereof; the right side elevational view being a mirror image; and,  
FIG. 5 is a top plan view thereof.  
The undisclosed bottom is plain and unornamented.

**1 Claim, 5 Drawing Sheets**



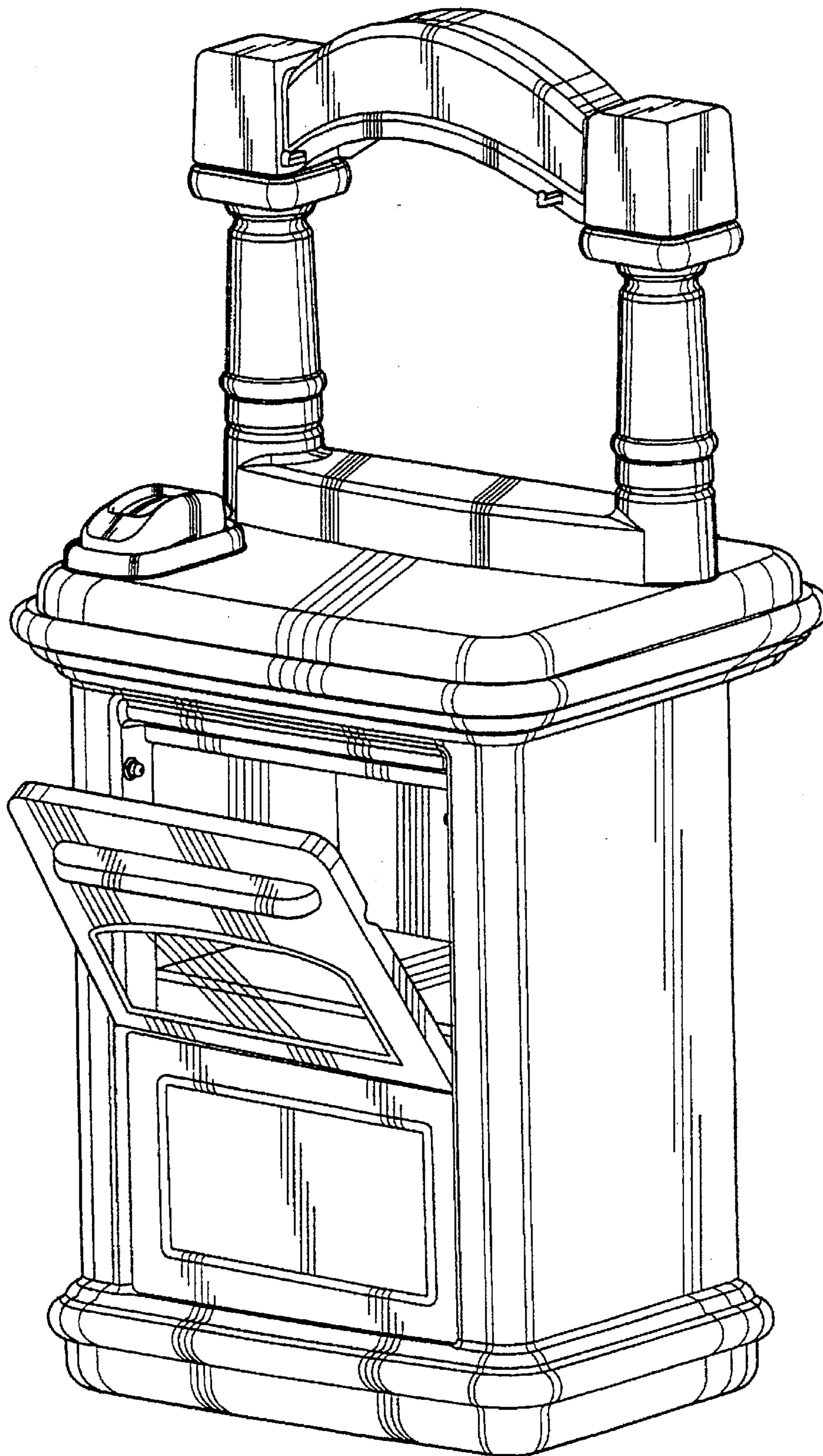


Fig-1

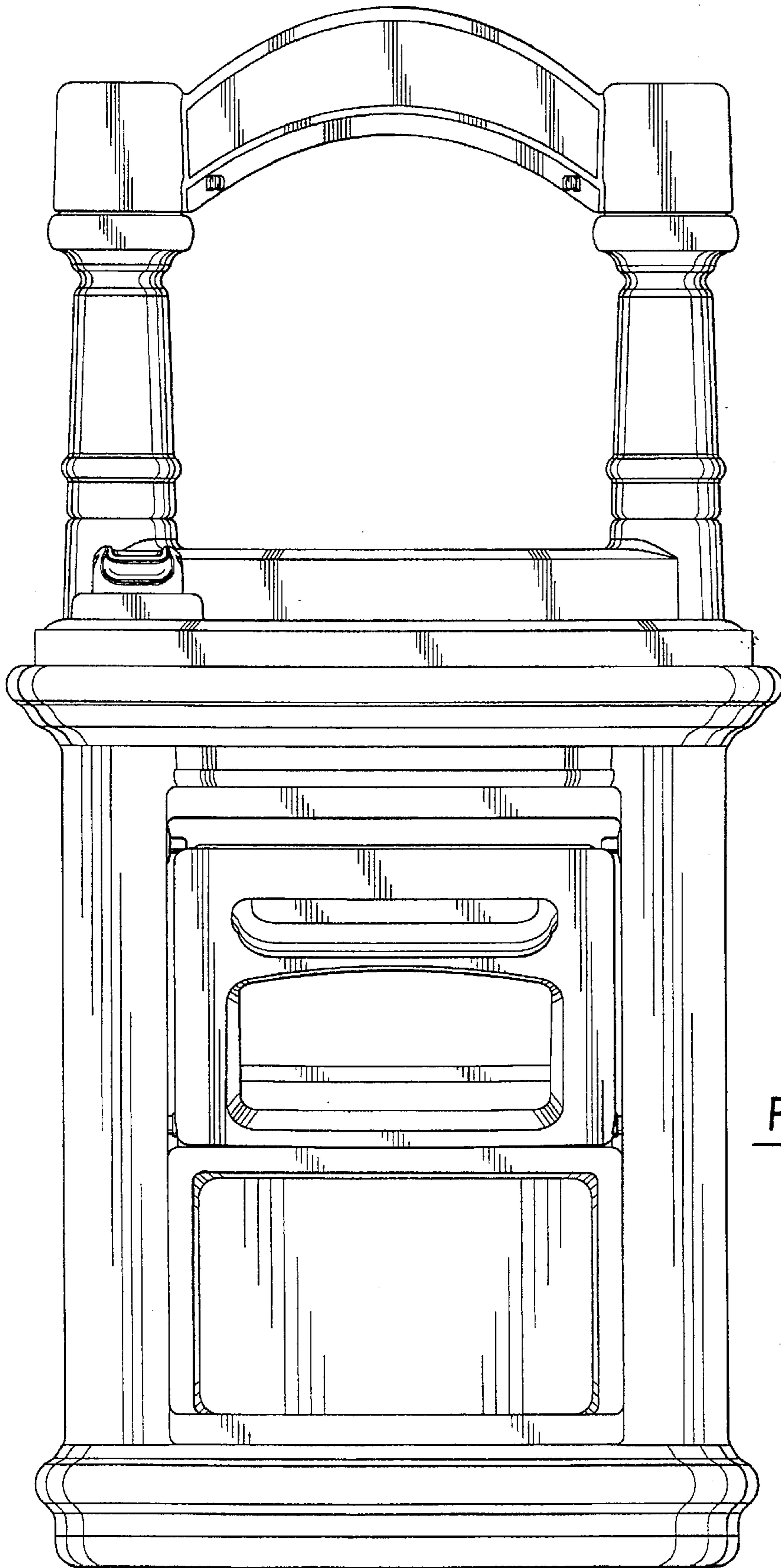


Fig-2



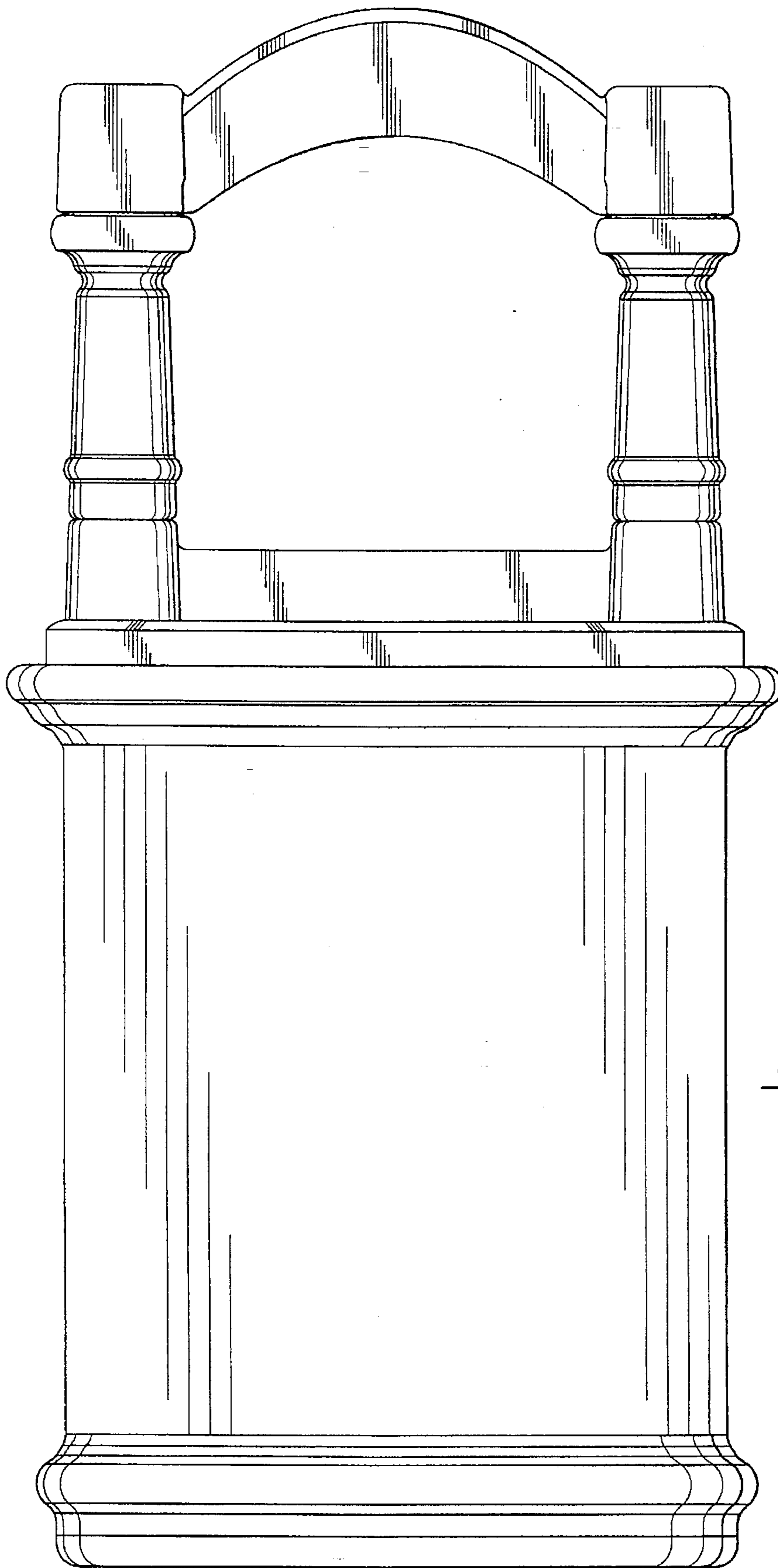


Fig-3

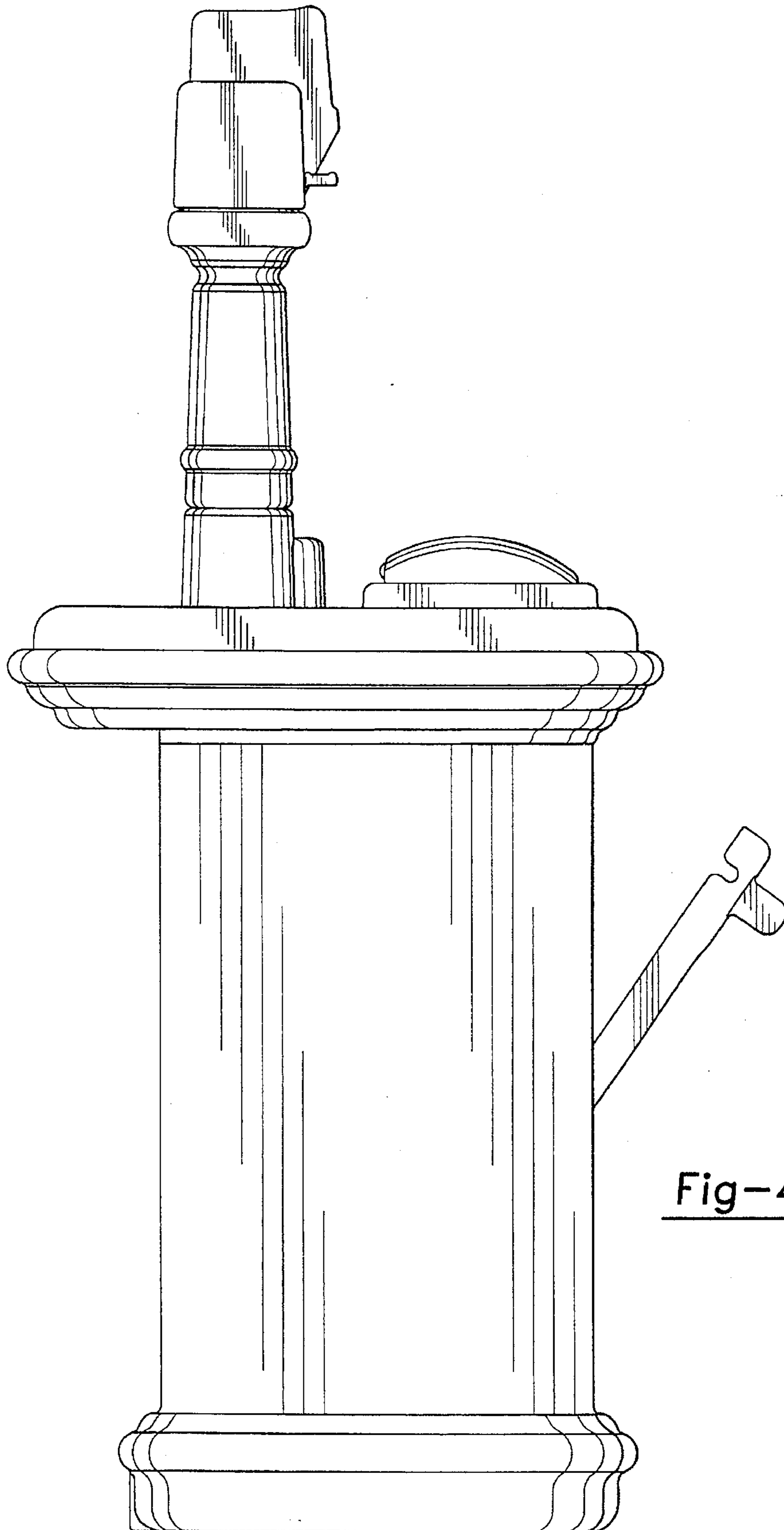


Fig-4

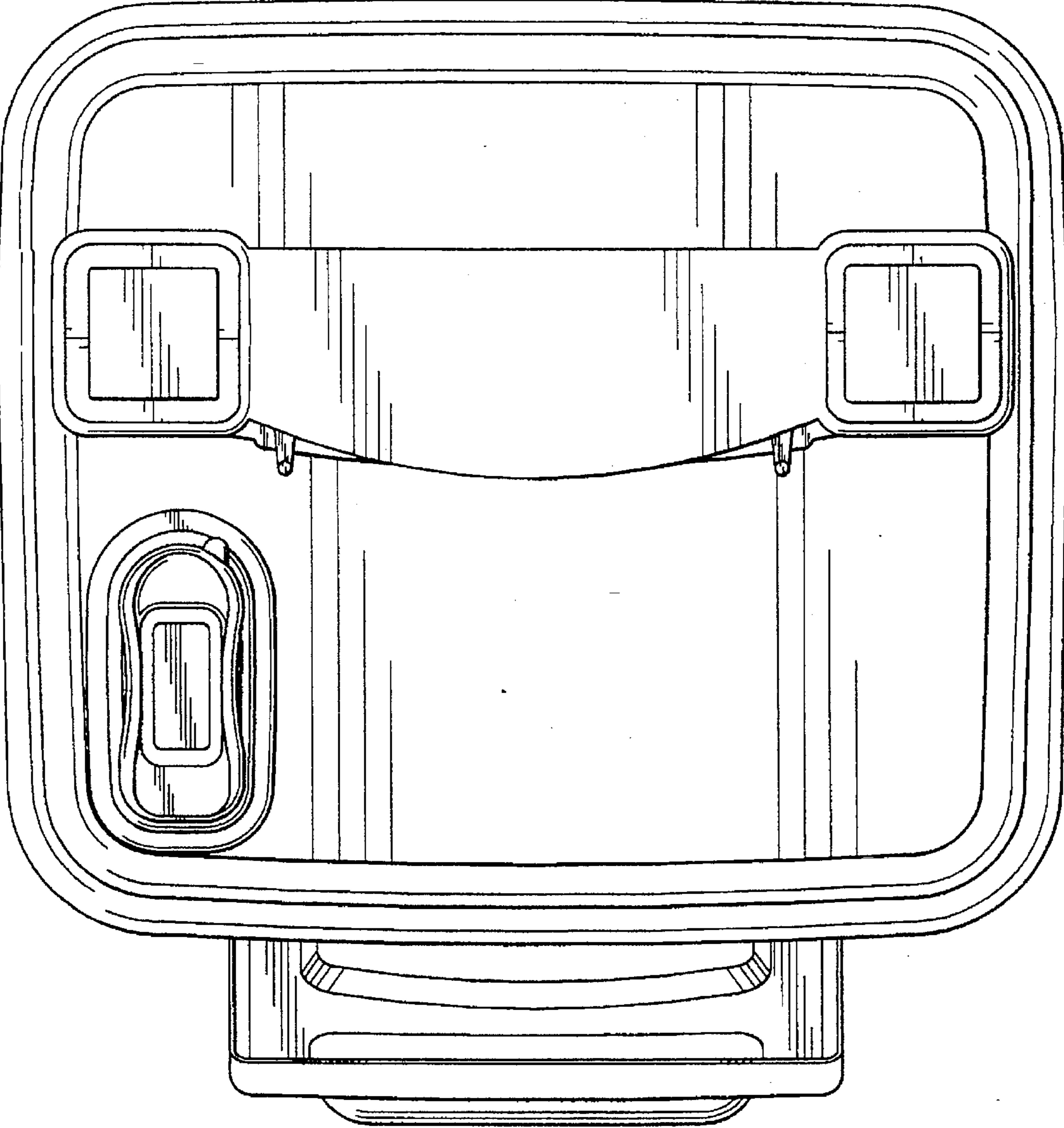


Fig-5