



US00D382918S

United States Patent [19]
Lun

[11] **Patent Number: Des. 382,918**

[45] **Date of Patent: **Aug. 26, 1997**

[54] **TOY UFO**

[75] **Inventor: Wong Chung Lun, Kowloon, Hong Kong**

[73] **Assignee: Fu Hong Industries, Inc., Kowloon, Hong Kong**

[**] **Term: 14 Years**

[21] **Appl. No.: 56,276**

[22] **Filed: Jul. 18, 1996**

[51] **LOC (6) Cl. 21-01**

[52] **U.S. Cl. D21/87**

[58] **Field of Search D21/82, 87; D12/325; 446/46, 56; 244/1 R, 117 R, 125, 158 R**

[56] **References Cited**

U.S. PATENT DOCUMENTS

- D. 213,529 3/1969 Sherwood D12/325
- D. 238,938 2/1976 Moller D12/325

- D. 326,873 6/1992 Chong D27/87
- D. 335,902 5/1993 Tsai D21/87
- 2,935,275 5/1960 Grayson D12/325 X

Primary Examiner—Dominic Simone
Attorney, Agent, or Firm—Woodard, Emhardt, Naughton, Moriarty & McNett

[57] **CLAIM**

The ornamental design for a toy UFO, as shown and described.

DESCRIPTION

FIG. 1 is a perspective view of a toy UFO, showing my new design;
FIG. 2 is a top plan view of the embodiment of FIG. 1;
FIG. 3 is a bottom view of the embodiment of FIG. 1; and,
FIG. 4 is a side elevation of the embodiment of FIG. 1. Other side elevations are equivalent, and thus are not further illustrated.

1 Claim, 1 Drawing Sheet

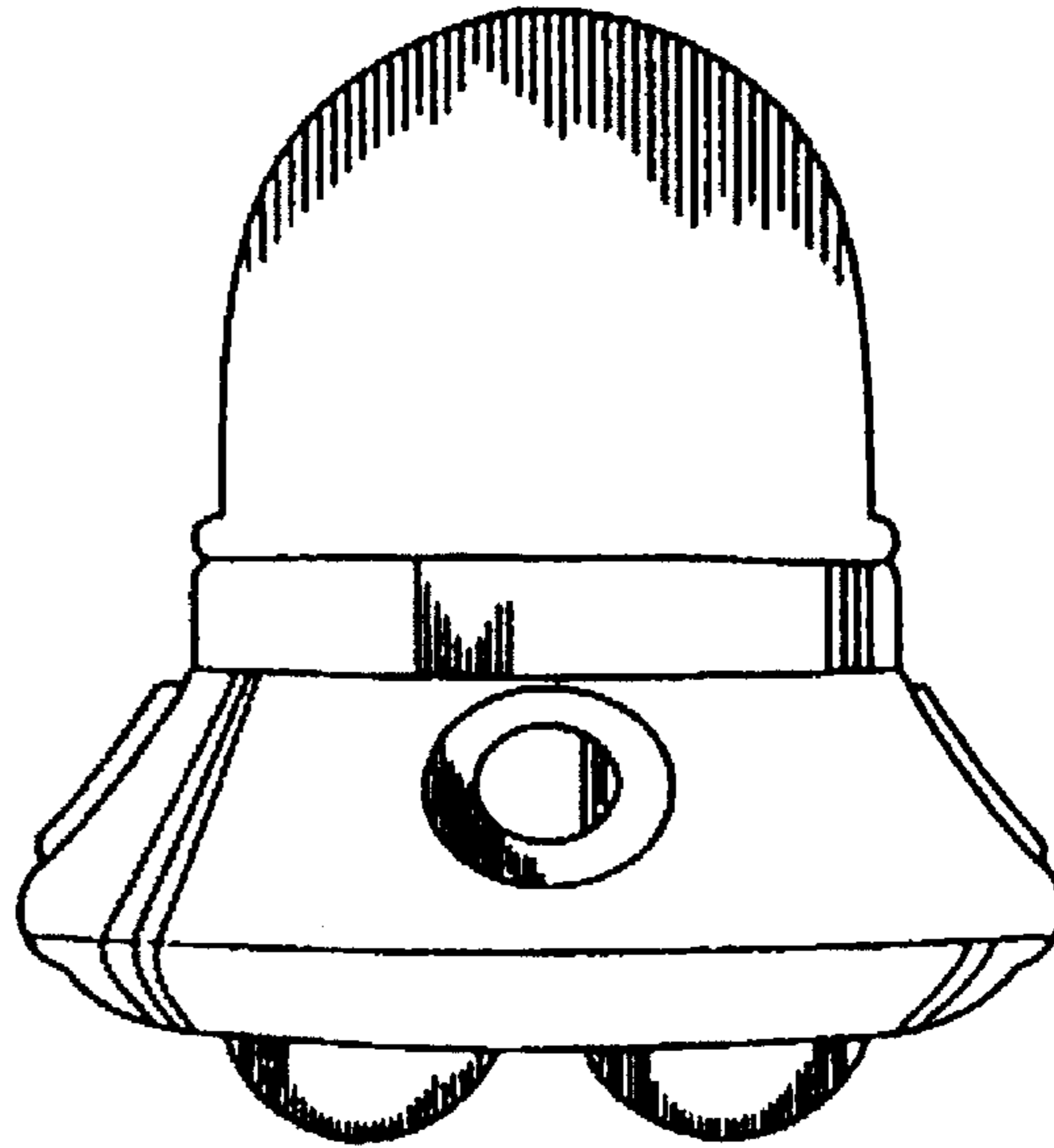
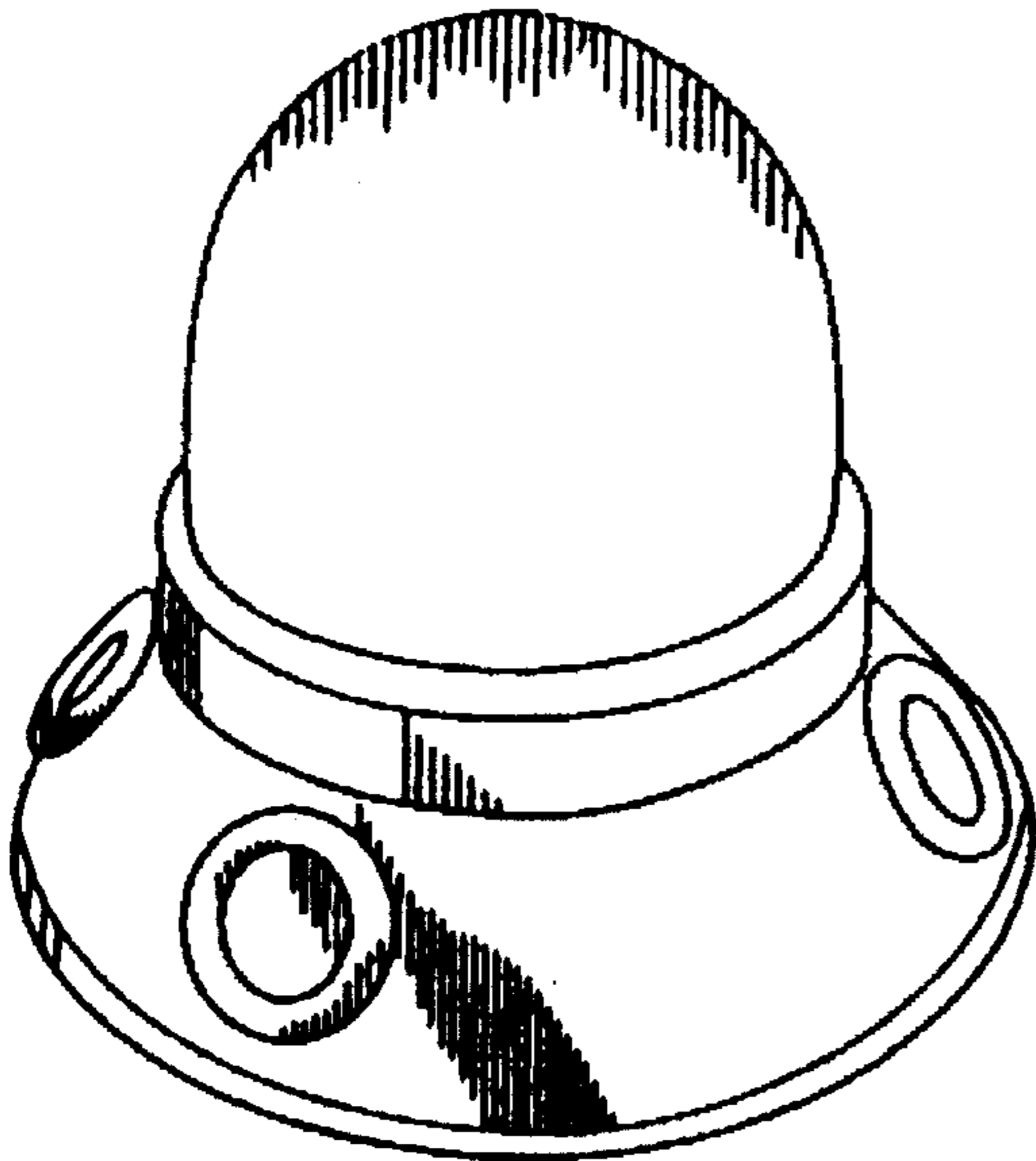


FIG. 2

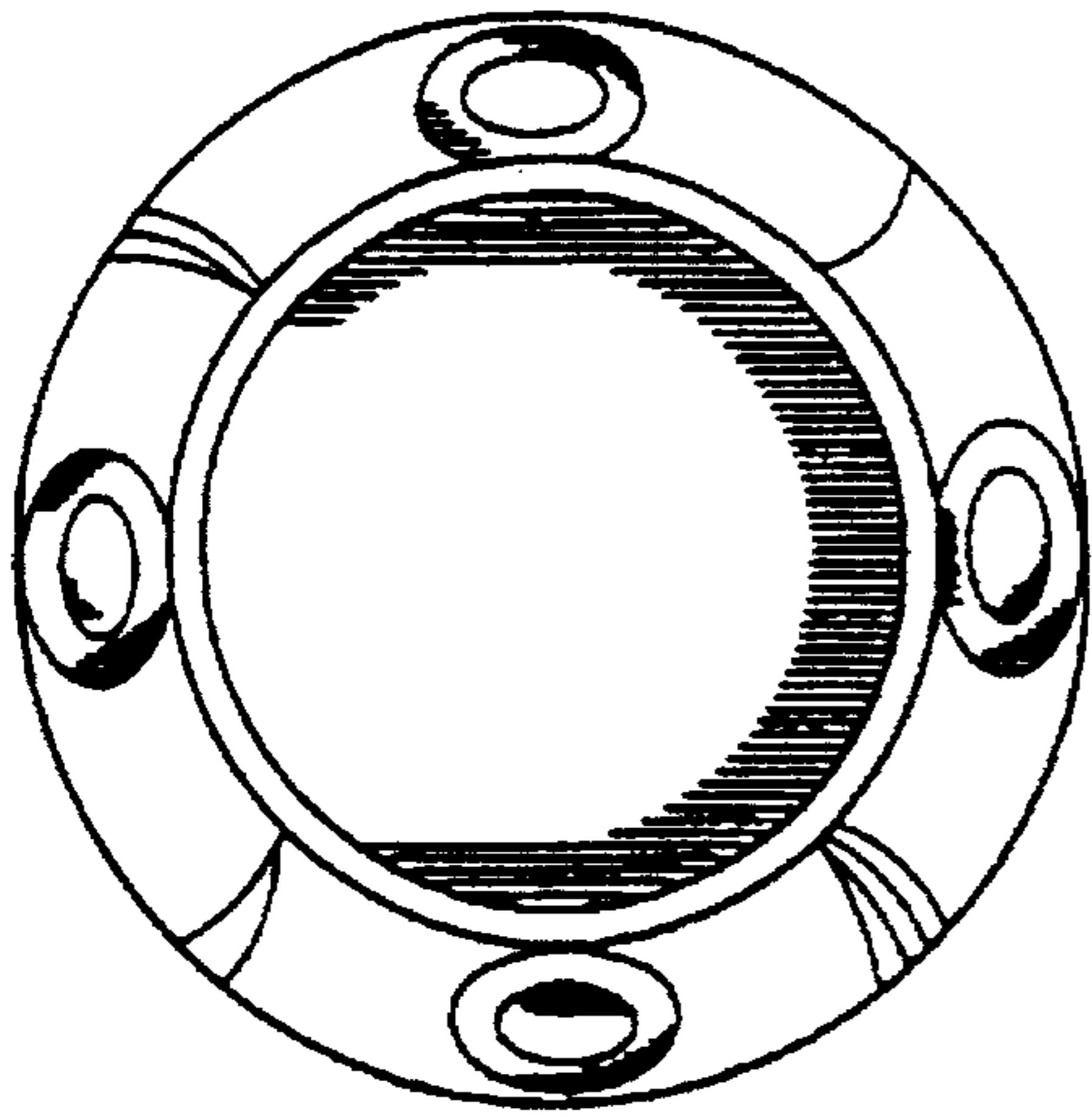


FIG. 3

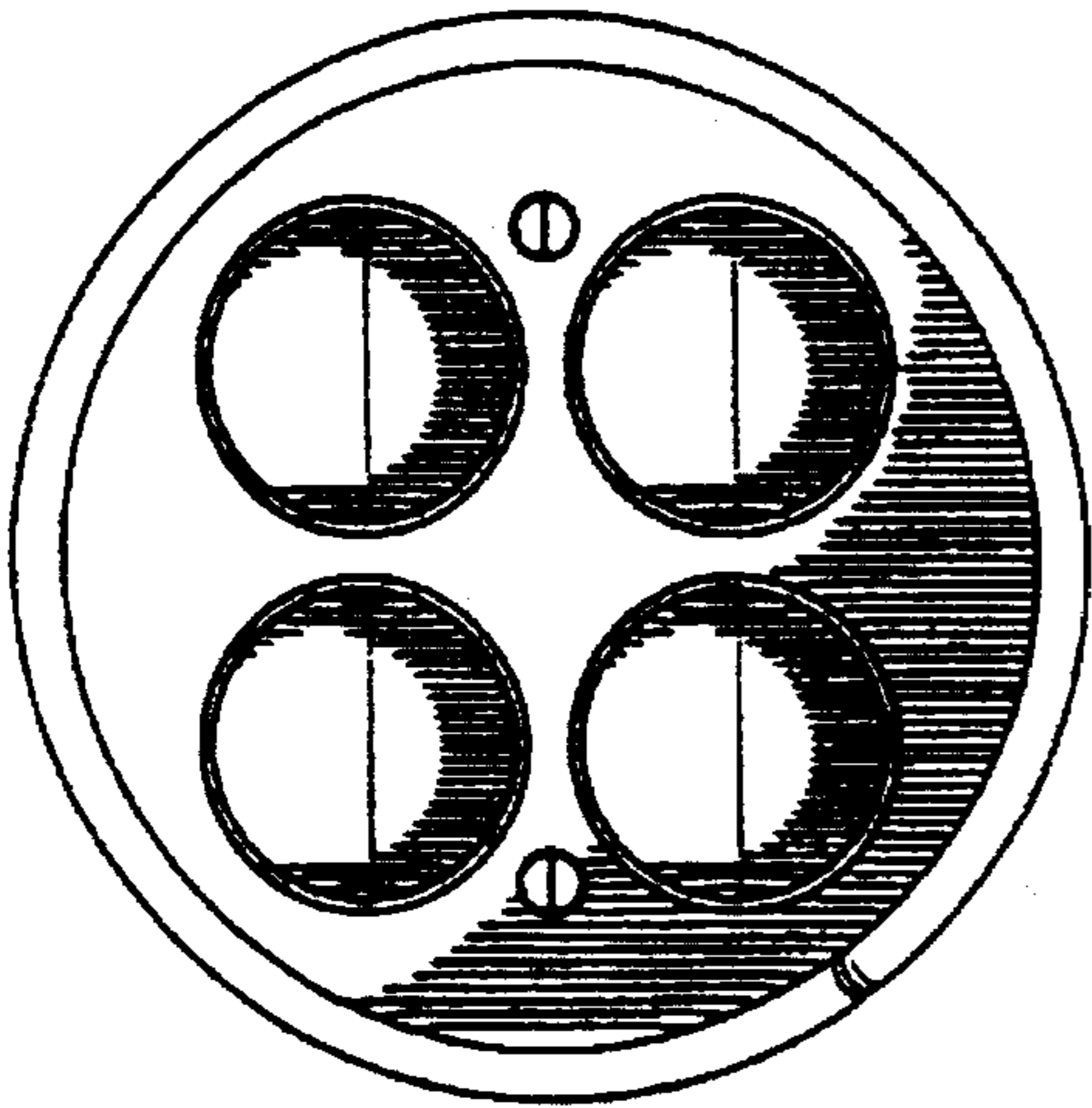


FIG. 1

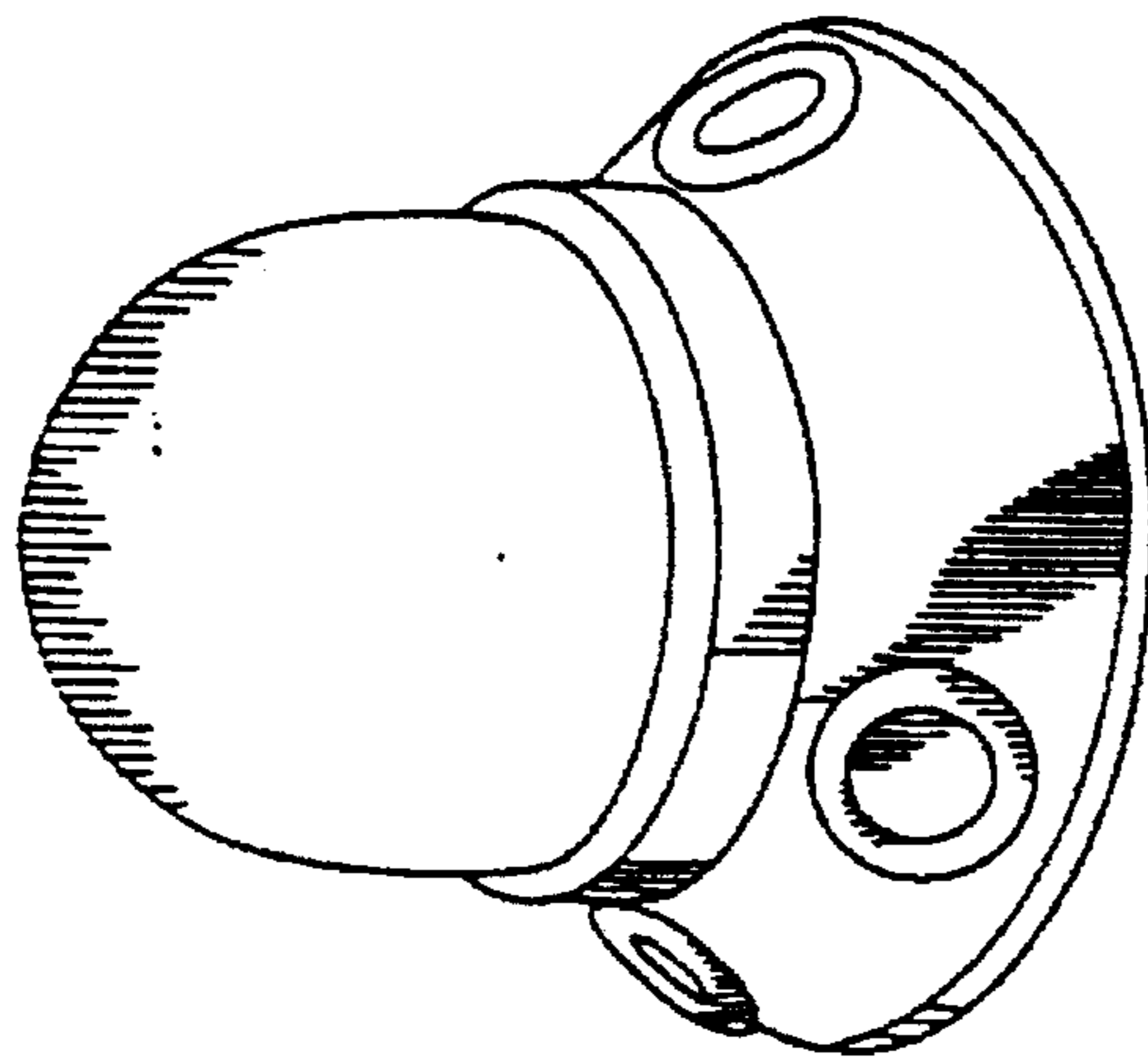


FIG. 4

