



US00D382908S

United States Patent [19]
Dallman

[11] **Patent Number: Des. 382,908**

[45] **Date of Patent: **Aug. 26, 1997**

[54] **DISPLAY APPARATUS**

[76] **Inventor: Ernest R. Dallman**, 9200 Fanchon Dr.,
Zionsville, Ind. 46077

[**] **Term: 14 Years**

[21] **Appl. No.: 50,623**

[22] **Filed: Feb. 20, 1996**

[51] **LOC (6) Cl. 20-03**

[52] **U.S. Cl. D20/10; D99/28; D99/43**

[58] **Field of Search D26/68; D99/28,**
D99/43; D6/475, 471, 449, 422, 421, 308;
D25/16, 26; D20/10, 18, 19, 17, 41, 12,
29; 40/606; 248/919; 109/2, 10; 235/378,
380, 381

[56] **References Cited**

U.S. PATENT DOCUMENTS

D. 267,127	11/1982	Noel	D99/43	X
D. 286,939	11/1986	Barger	D99/43	
D. 293,151	12/1987	Prinzhorn	D99/28	
D. 293,269	12/1987	Prinzhorn	D99/43	X
D. 326,756	6/1992	Milliken	D99/28	
D. 336,716	6/1993	Bell et al.	D99/28	
2,912,066	11/1959	Ellithorpe	109/10	

Primary Examiner—Susan J. Lucas
Assistant Examiner—Jennifer A. Register
Attorney, Agent, or Firm—Barnes & Thornburg

[57] **CLAIM**

The ornamental design for a display apparatus, as shown and described.

DESCRIPTION

FIG. 1 is a perspective view of a display apparatus according to my new design, with elements of an automatic teller machine which form an illustrative environment for the display apparatus being illustrated in broken lines which are for illustrative purposes only and forms no part of the claimed design;

FIG. 2 is a front elevational view thereof;

FIG. 3 is a right side elevational view thereof, the left side elevational view being a mirror image of FIG. 3;

FIG. 4 is a top plan view thereof;

FIG. 5 is a bottom view thereof;

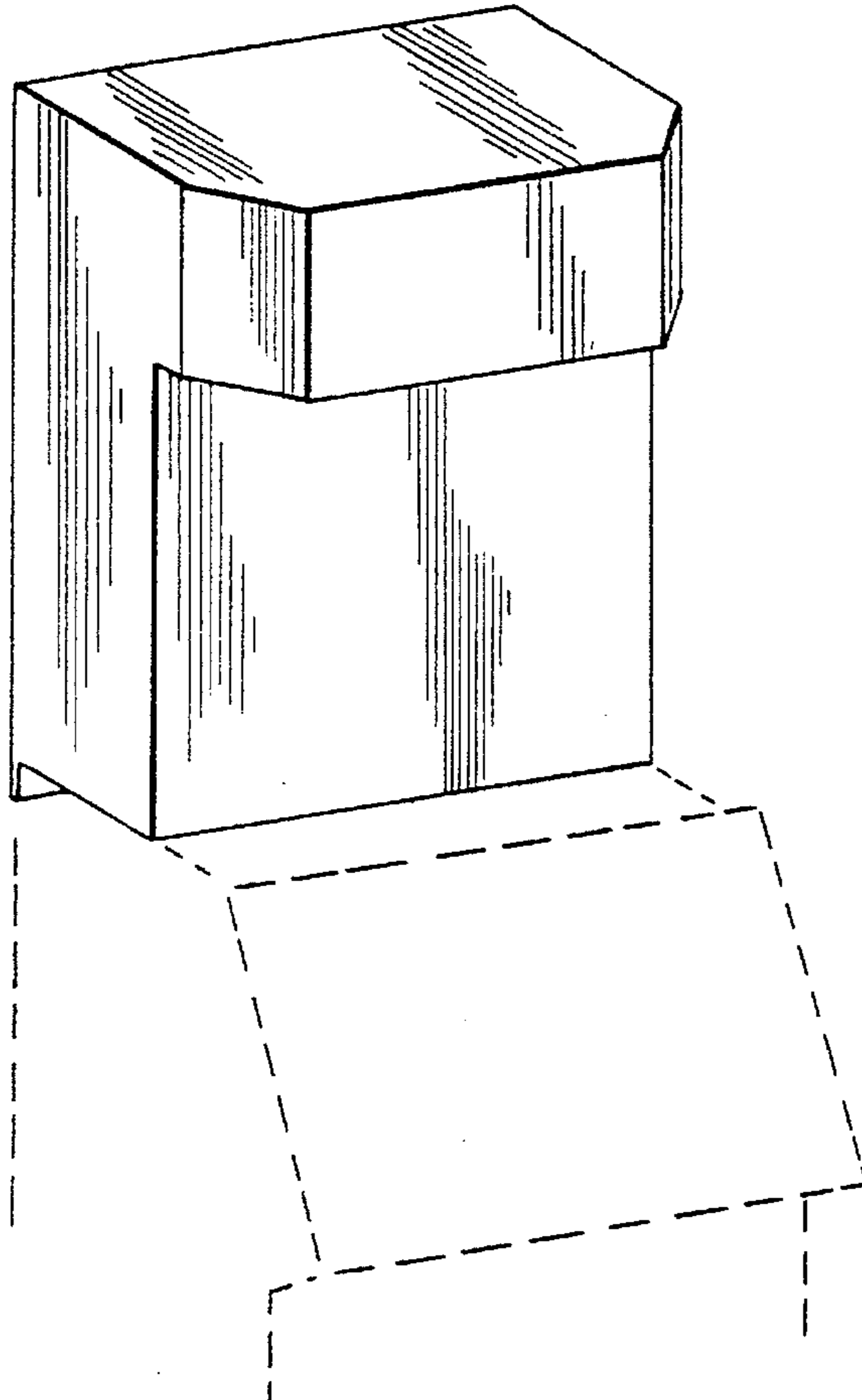
FIG. 6 is a rear elevational view thereof;

FIG. 7 is a front plan view of another embodiment of a display apparatus according to my new design;

FIG. 8 is a right side elevational view thereof, the left side elevational view being a mirror image of FIG. 8; and,

FIG. 9 is a bottom view thereof, the top plan view being identical to FIG. 4, and the rear elevational view being identical to FIG. 6.

1 Claim, 3 Drawing Sheets



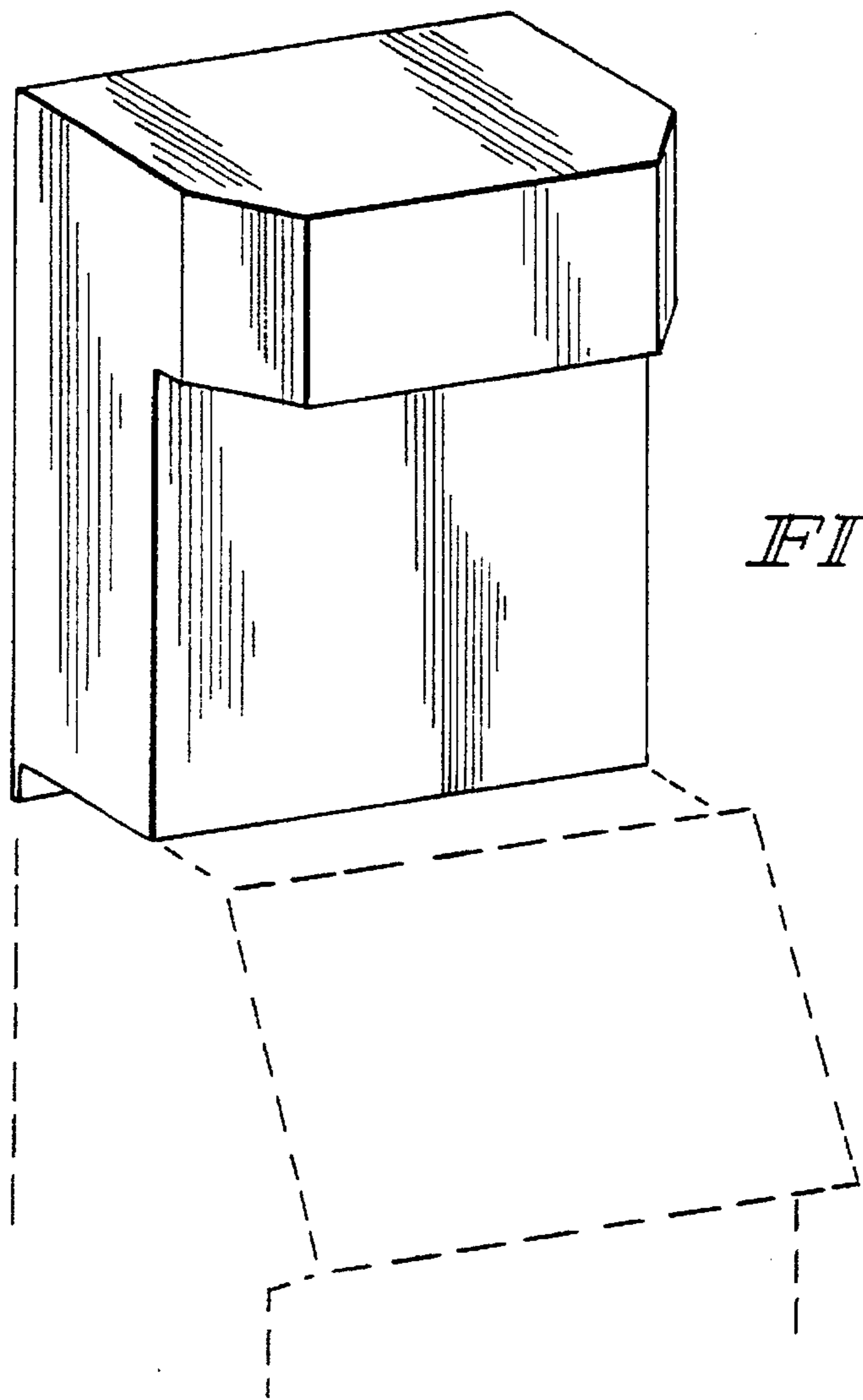


FIG. 1

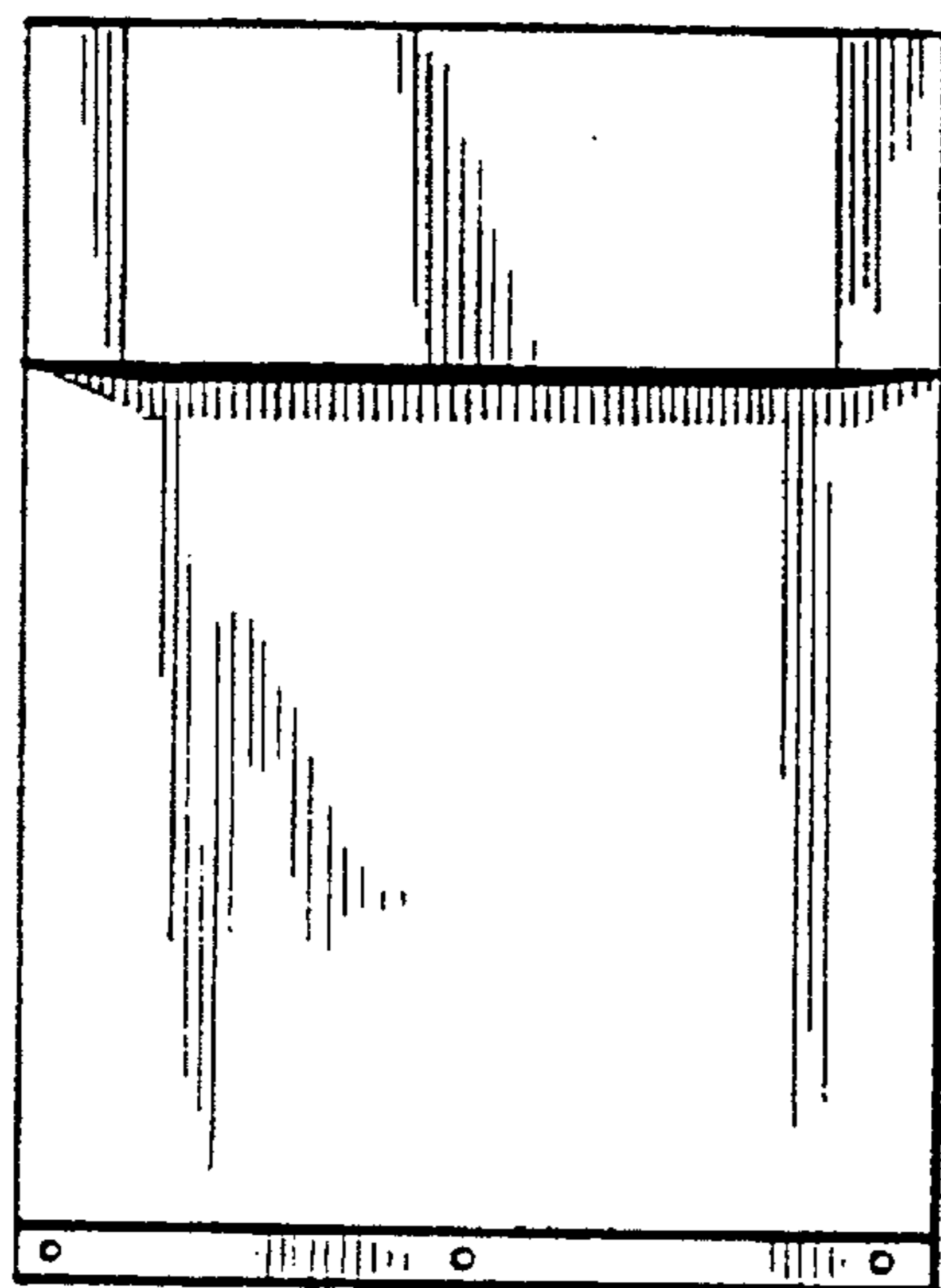


FIG. 2

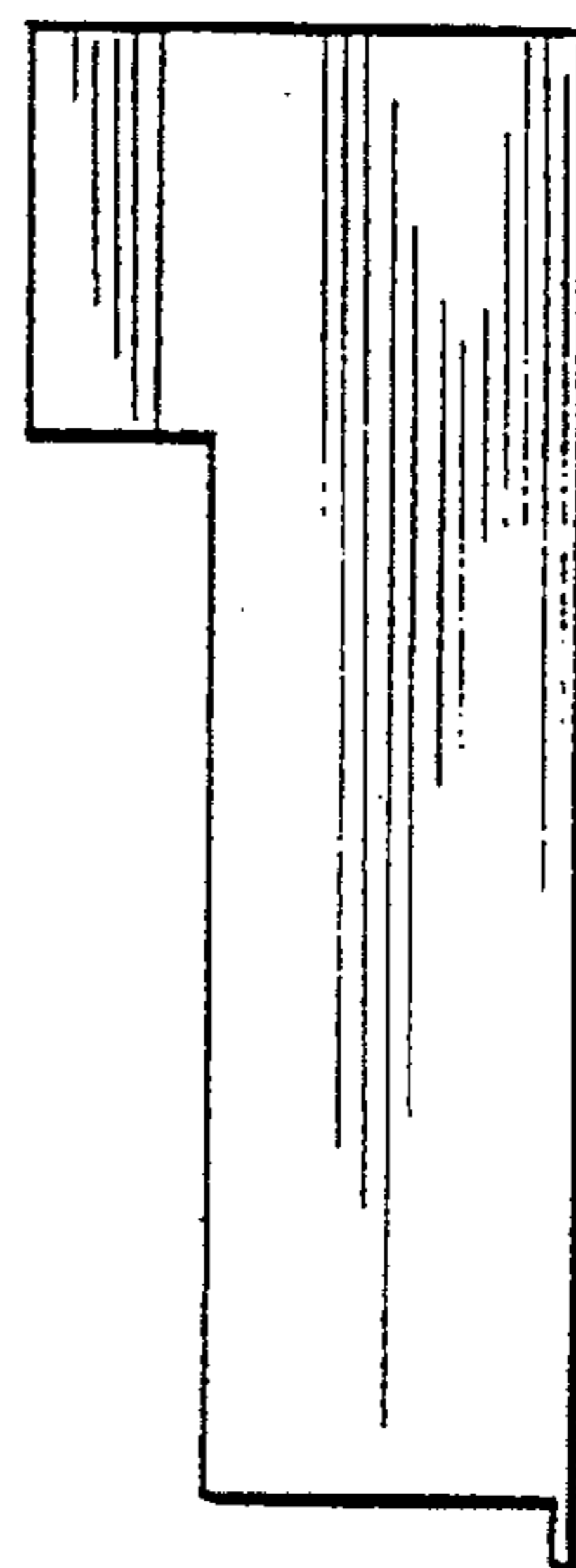


FIG. 3

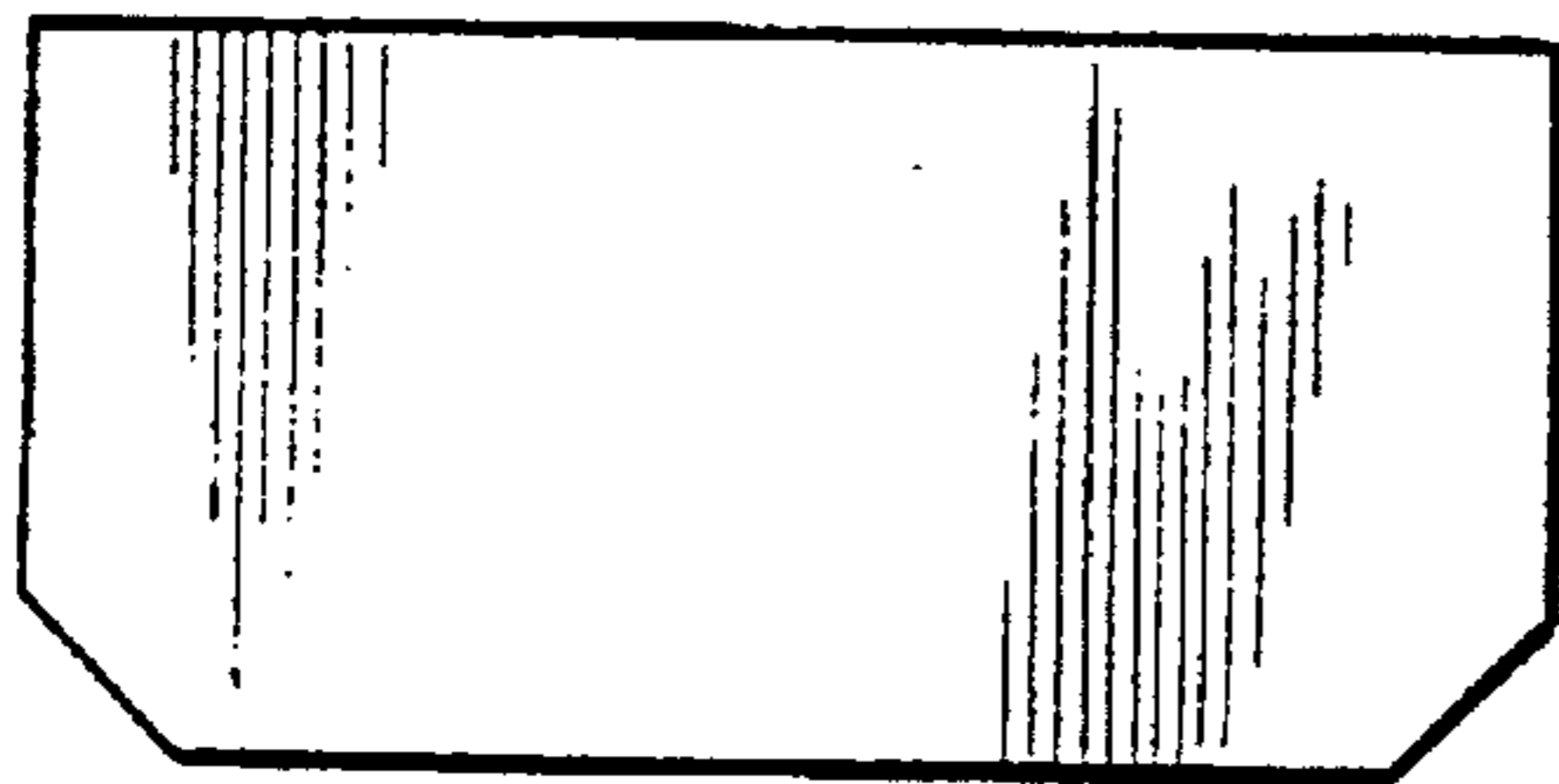


FIG. 4

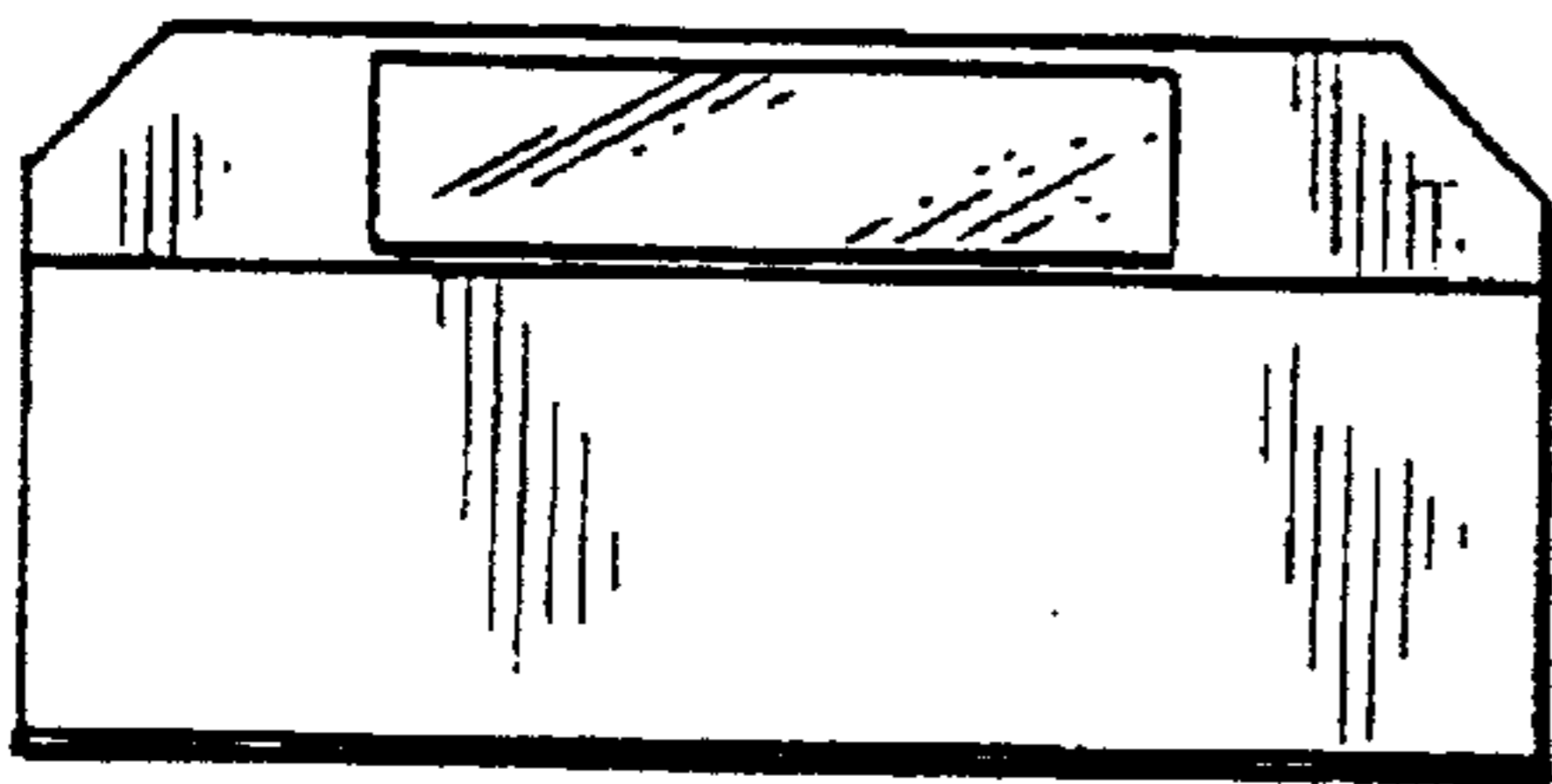


FIG. 5

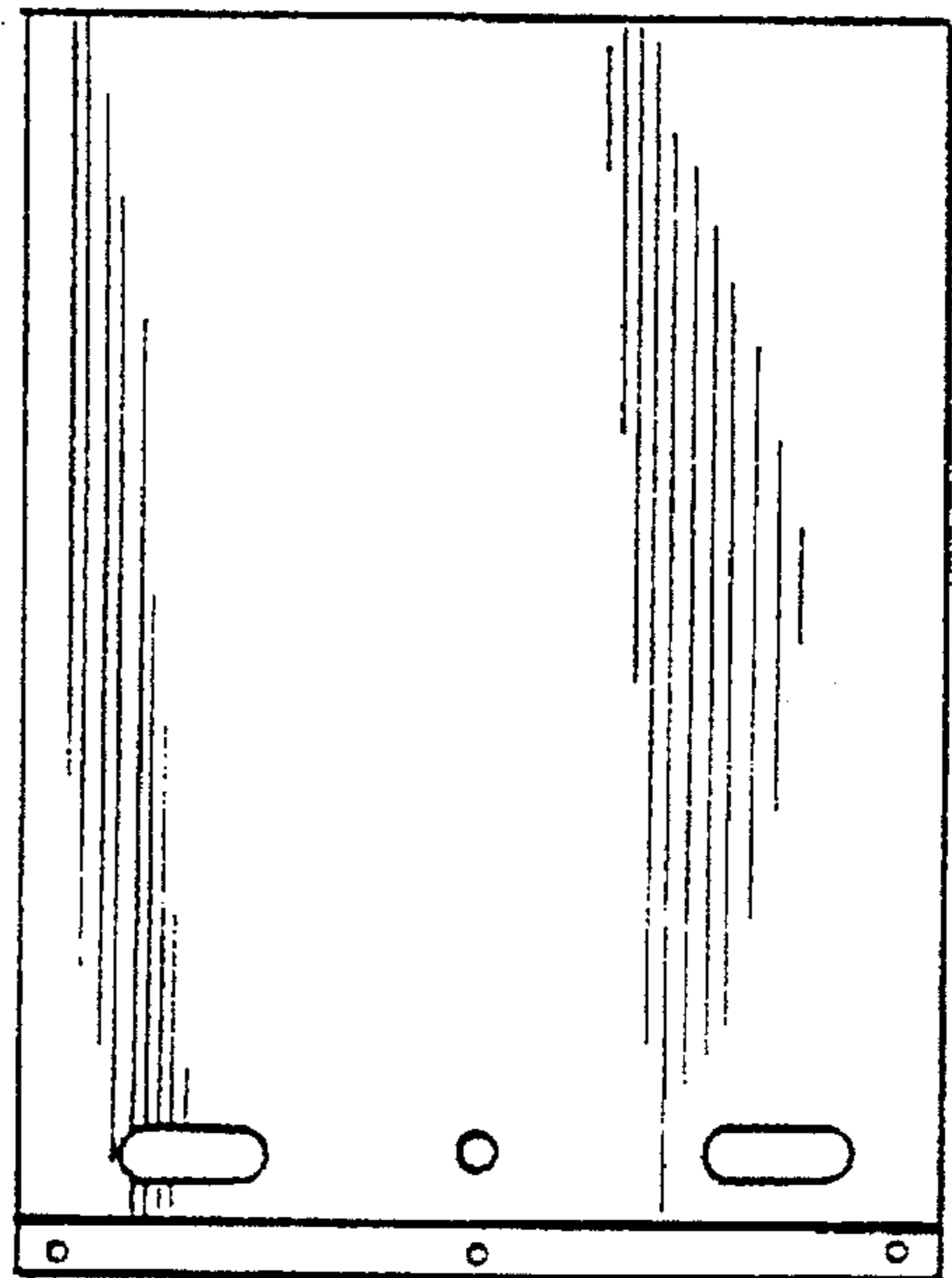


FIG. 6

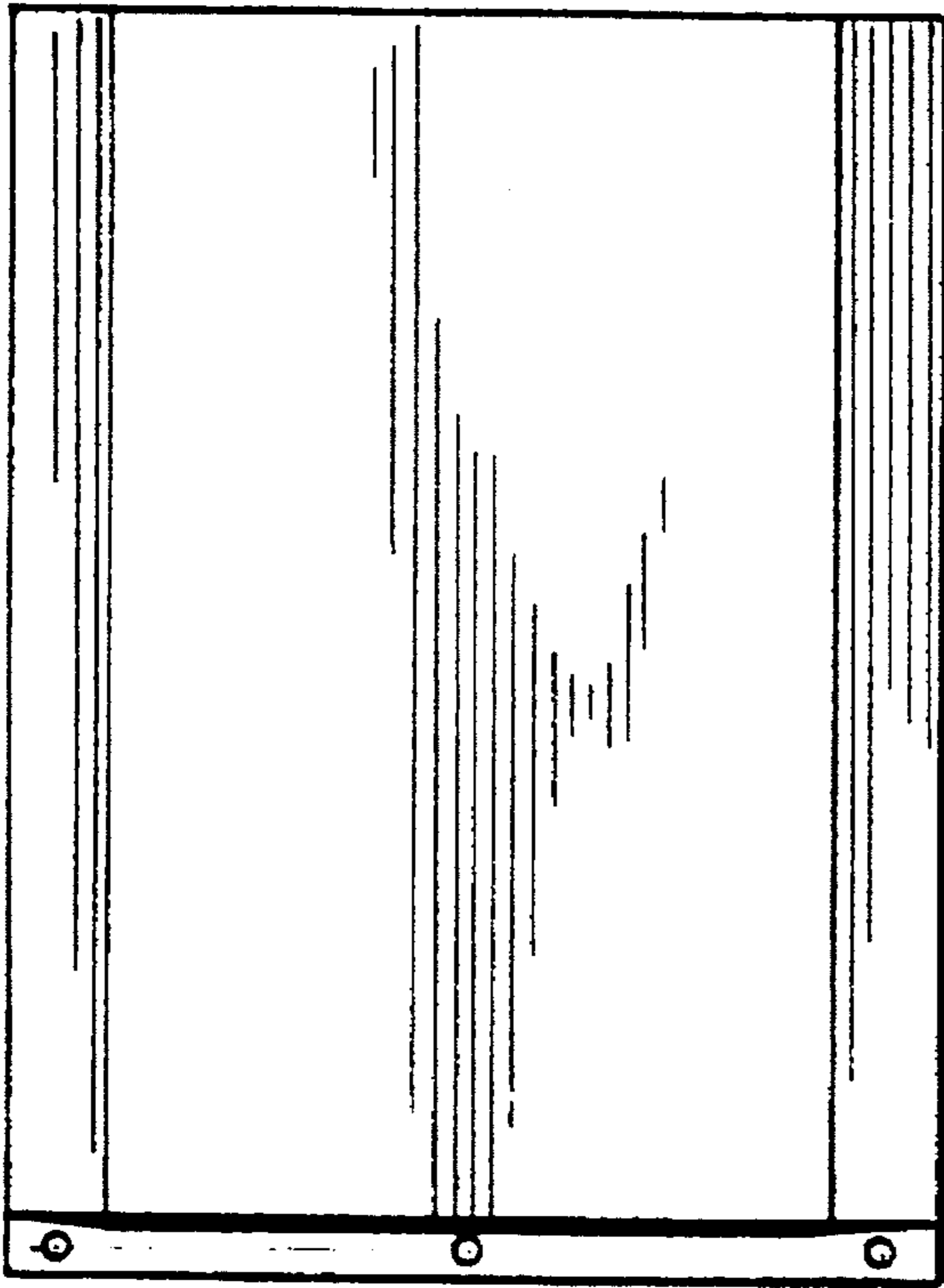


FIG. 7

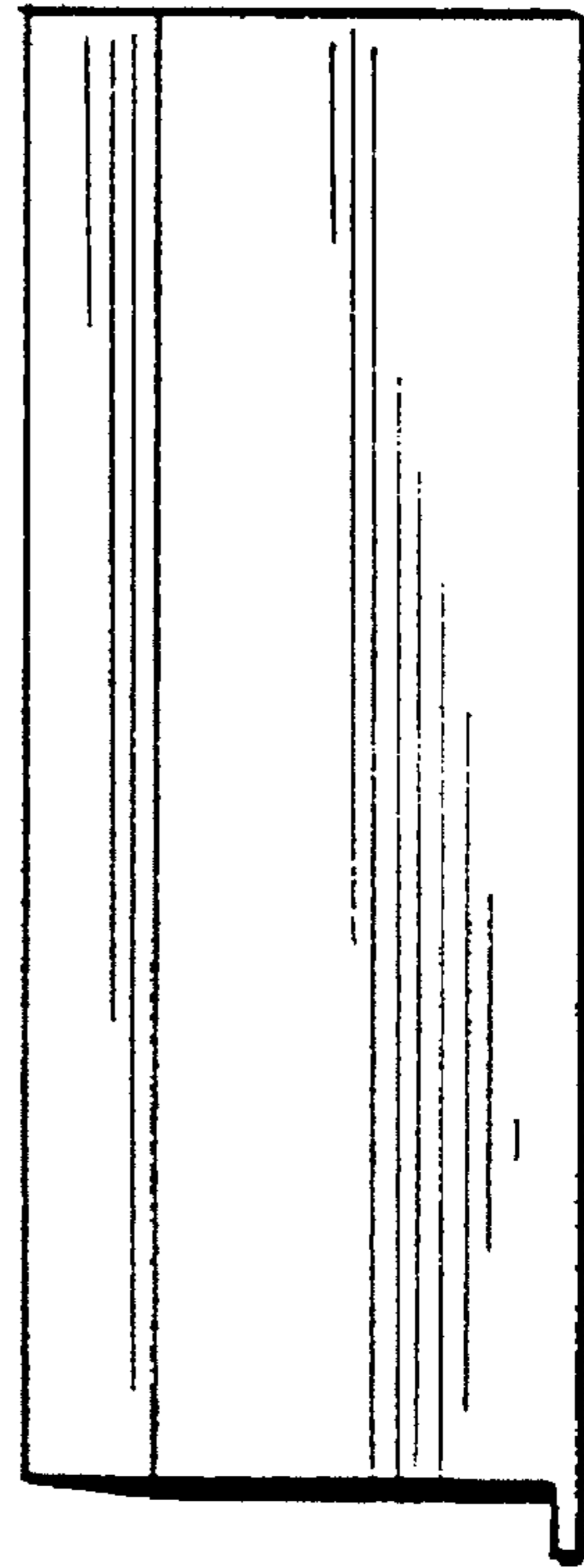


FIG. 8

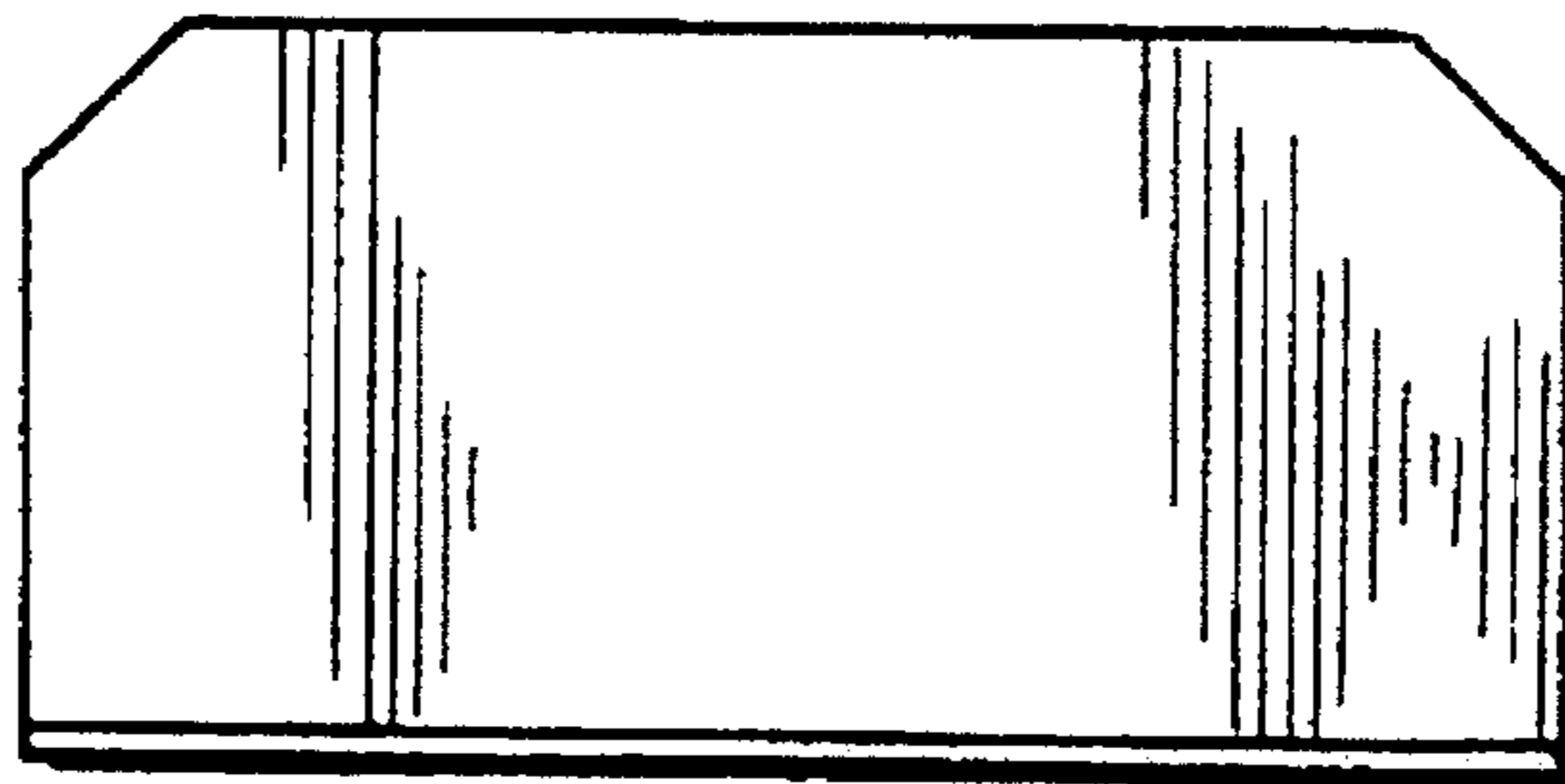


FIG. 9