



US00D382907S

**United States Patent** [19]  
**Dallman**

[11] **Patent Number: Des. 382,907**  
[45] **Date of Patent: \*\*Aug. 26, 1997**

[54] **DISPLAY APPARATUS**

[76] **Inventor: Ernest R. Dallman**, 9200 Fanchon Dr.,  
Zionsville, Ind. 46077

[\*\*] **Term: 14 Years**

[21] **Appl. No.: 50,622**

[22] **Filed: Feb. 20, 1996**

[51] **LOC (6) Cl. .... 20-03**

[52] **U.S. Cl. .... D20/10; D99/28; D99/43**

[58] **Field of Search** ..... D99/28, 43; D6/475,  
D6/471, 449, 422, 421, 308; D25/16, 26;  
D20/10, 18, 19, 17, 41, 12, 29; 40/606;  
248/919; 235/378, 380, 381; 109/2, 10

[56] **References Cited**

**U.S. PATENT DOCUMENTS**

D. 264,012	4/1982	Hauser et al. ....	D99/28
D. 293,150	12/1987	Prinzhorn ....	D99/43 X
D. 307,081	4/1990	Allen ....	D6/421
D. 311,956	11/1990	Barnes ....	D25/16
D. 330,105	10/1992	Schmitz, Jr. ....	D99/28

*Primary Examiner*—Susan J. Lucas  
*Assistant Examiner*—Jennifer A. Register  
*Attorney, Agent, or Firm*—Barnes & Thornburg

[57] **CLAIM**

The ornamental design for a display apparatus, as shown and described.

**DESCRIPTION**

FIG. 1 is a perspective view of a display apparatus according to my new design, with elements of an automatic teller machine which form an illustrative environment for the display apparatus being illustrated in broken lines which are for illustrative purposes only and form no part of the claimed design;

FIG. 2 is a left side elevational view thereof, the right side elevational view being a mirror image of FIG. 2;

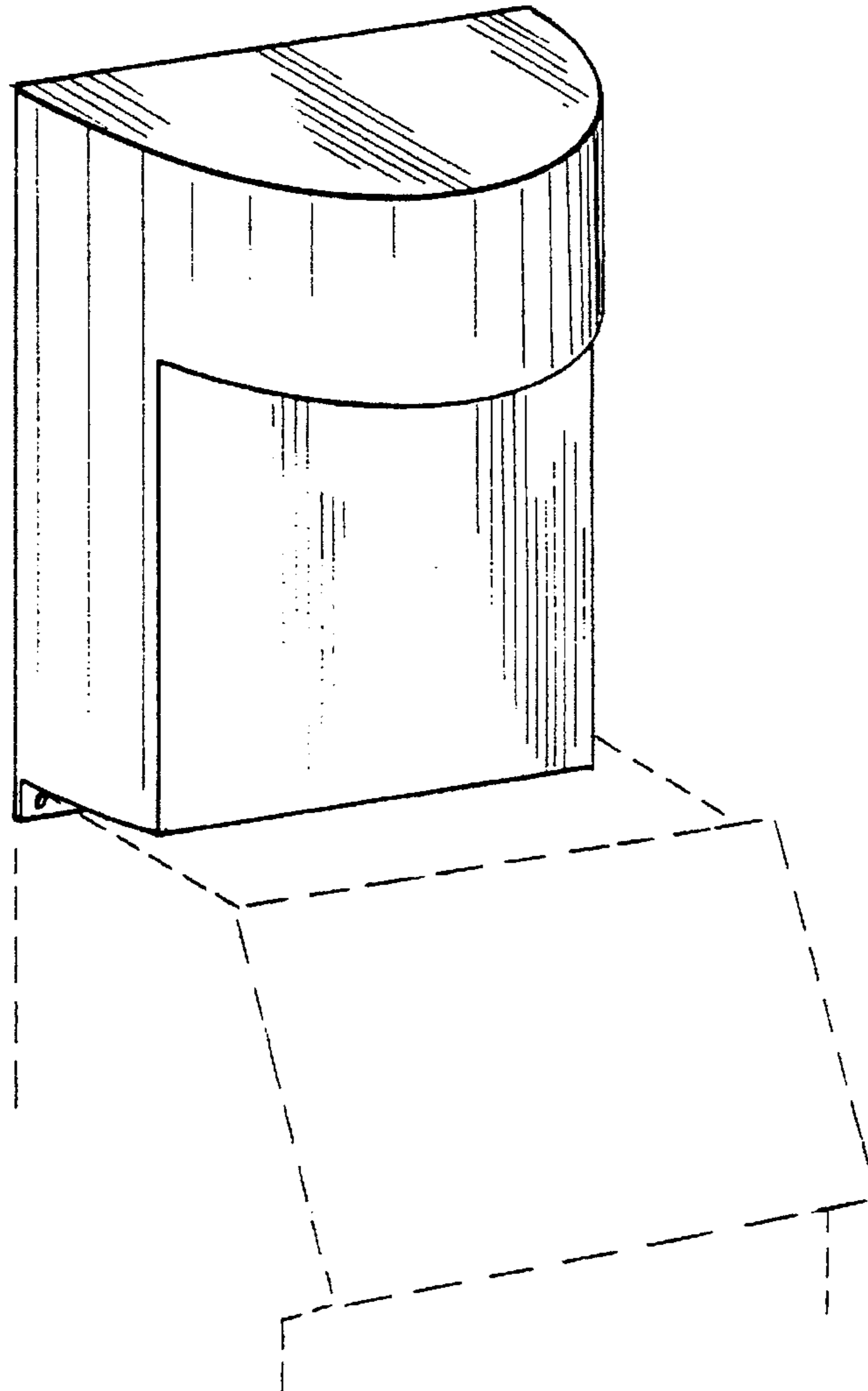
FIG. 3 is a front elevational view thereof;

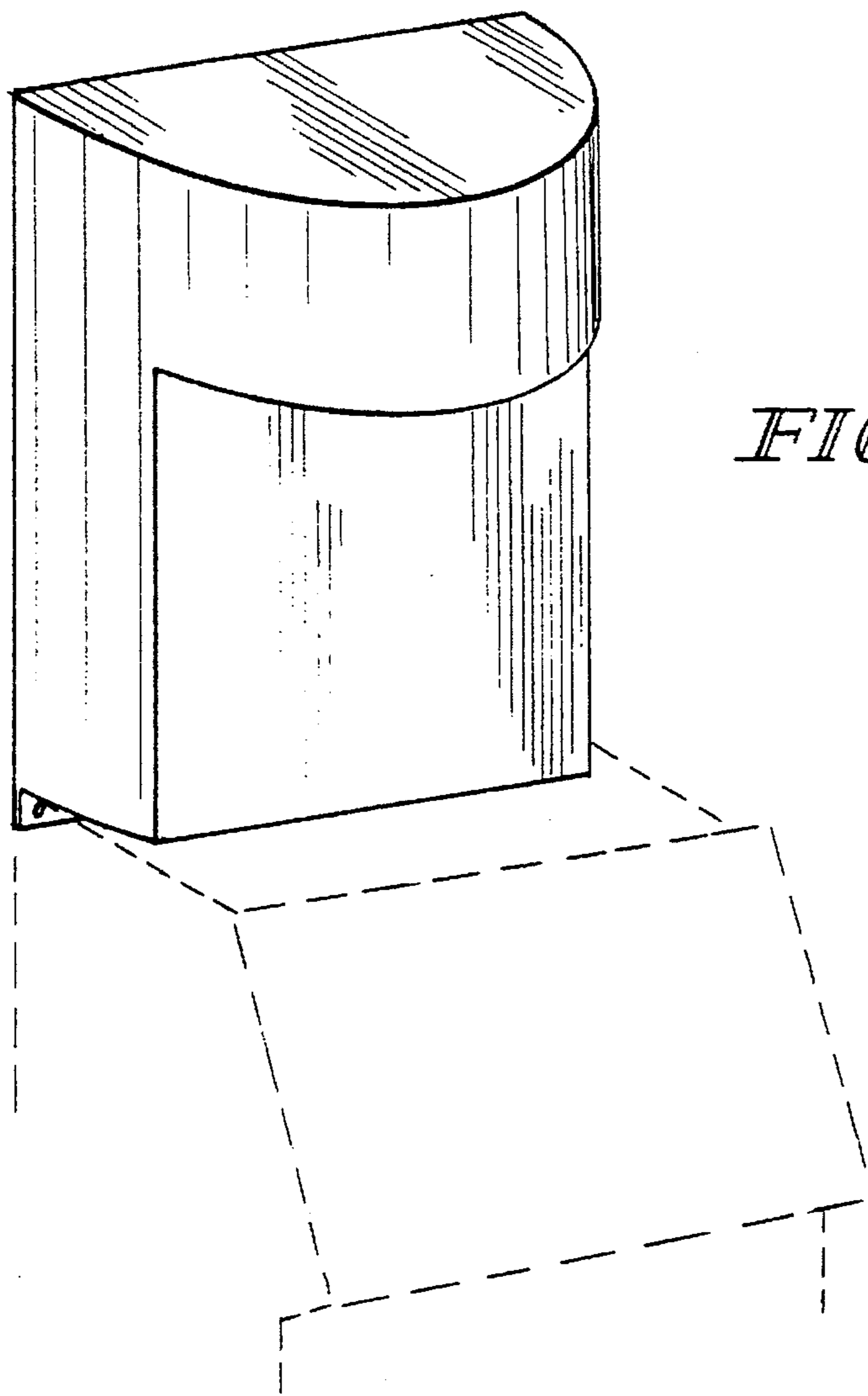
FIG. 4 is a top plan view thereof;

FIG. 5 is a bottom view thereof; and,

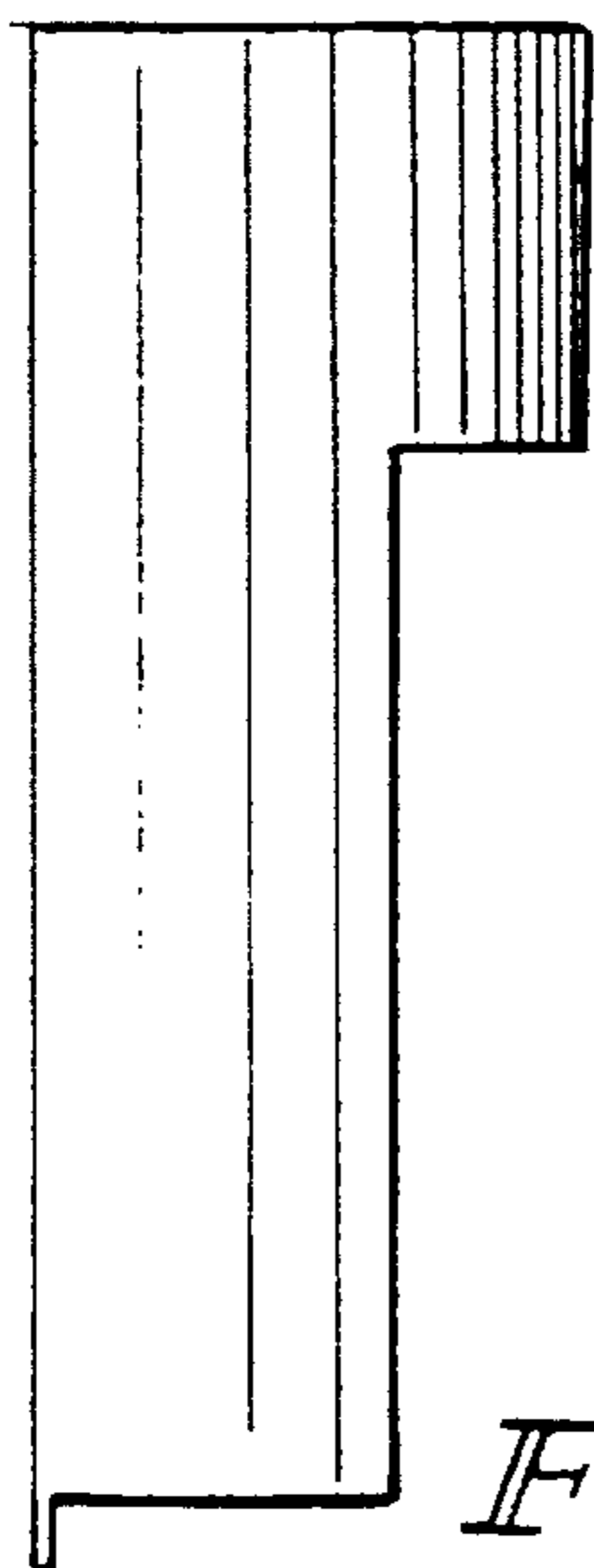
FIG. 6 is a rear elevational view thereof.

**1 Claim, 2 Drawing Sheets**

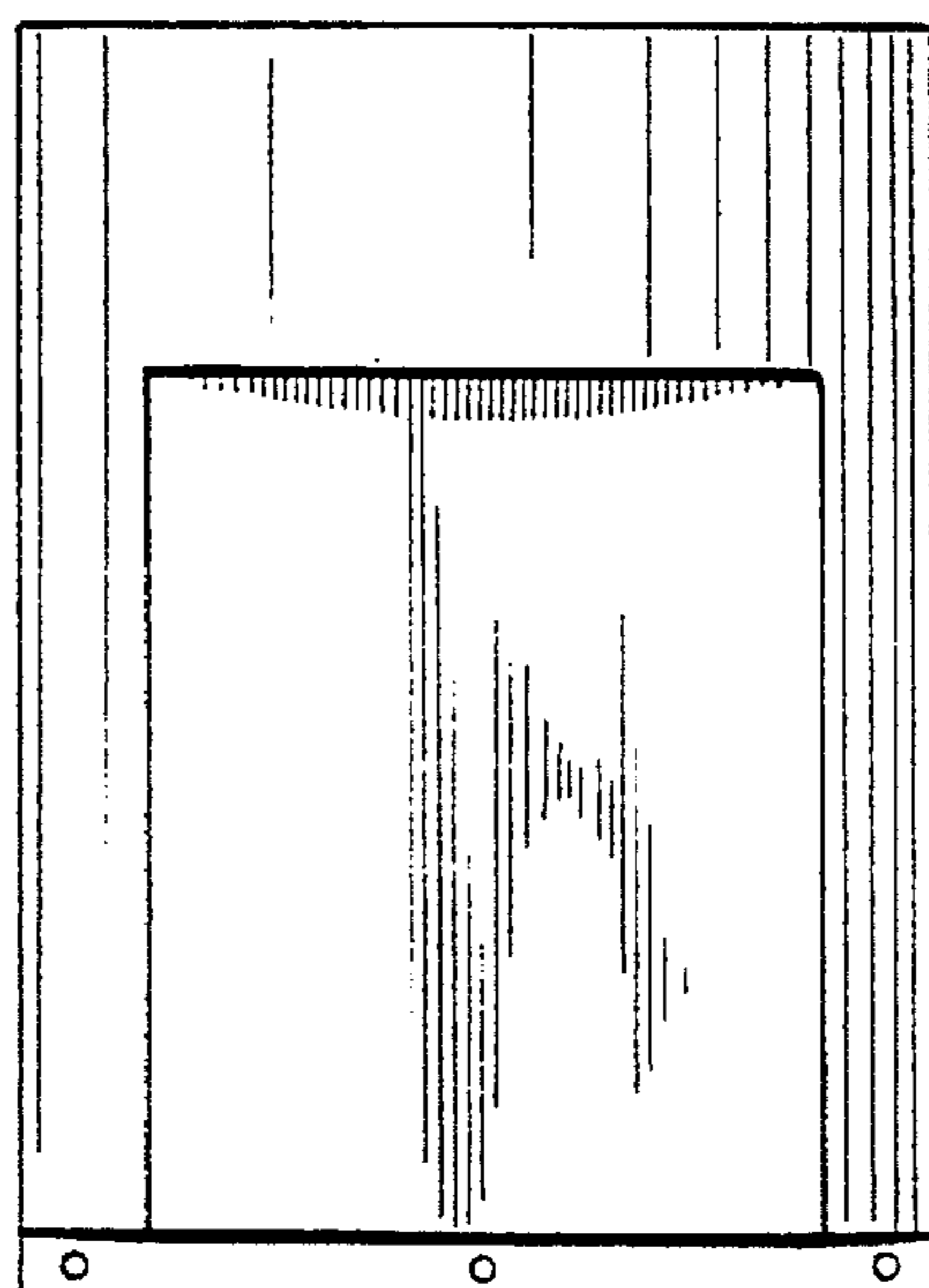




*FIG. 1*



*FIG. 2*



*FIG. 3*

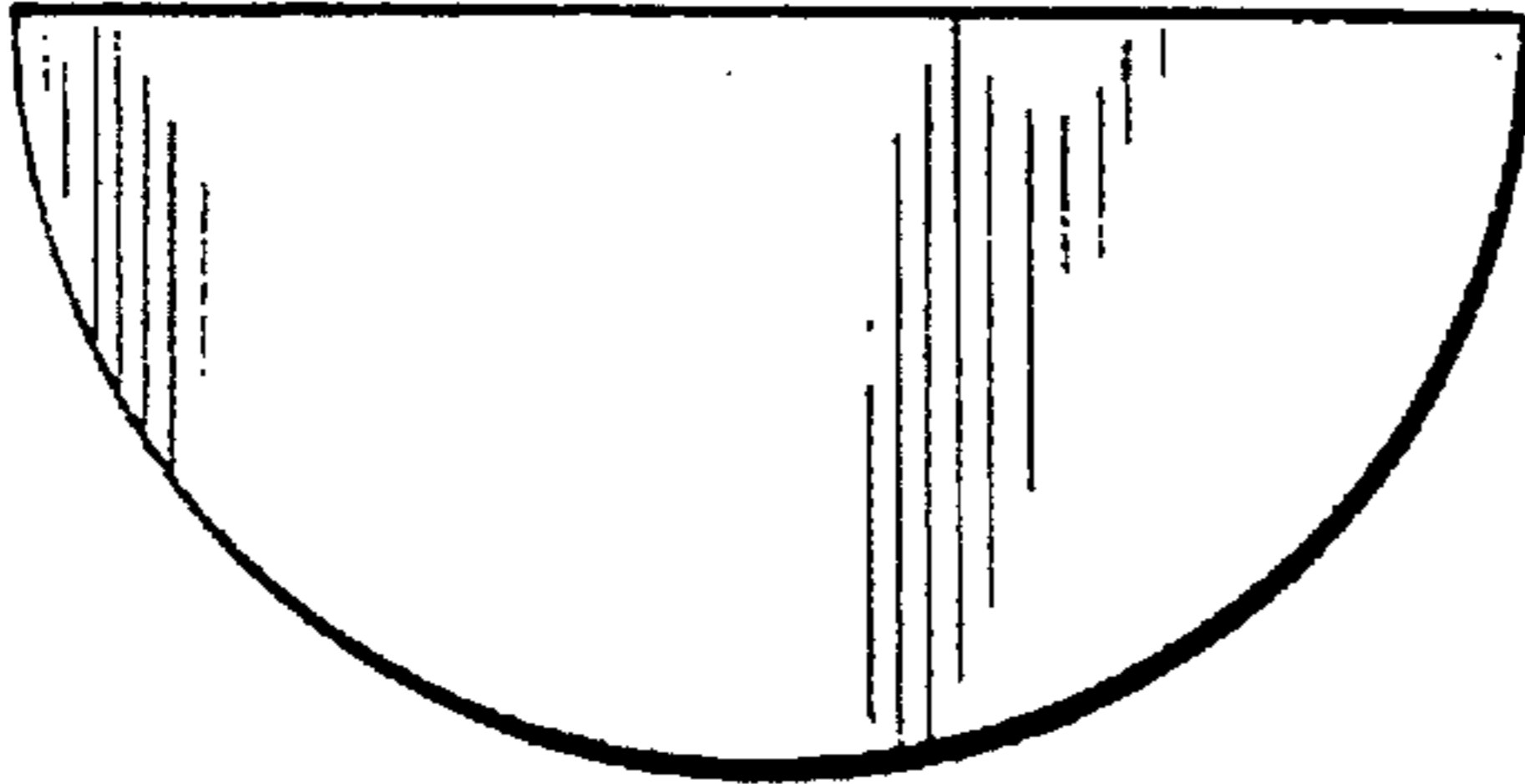


FIG. 4

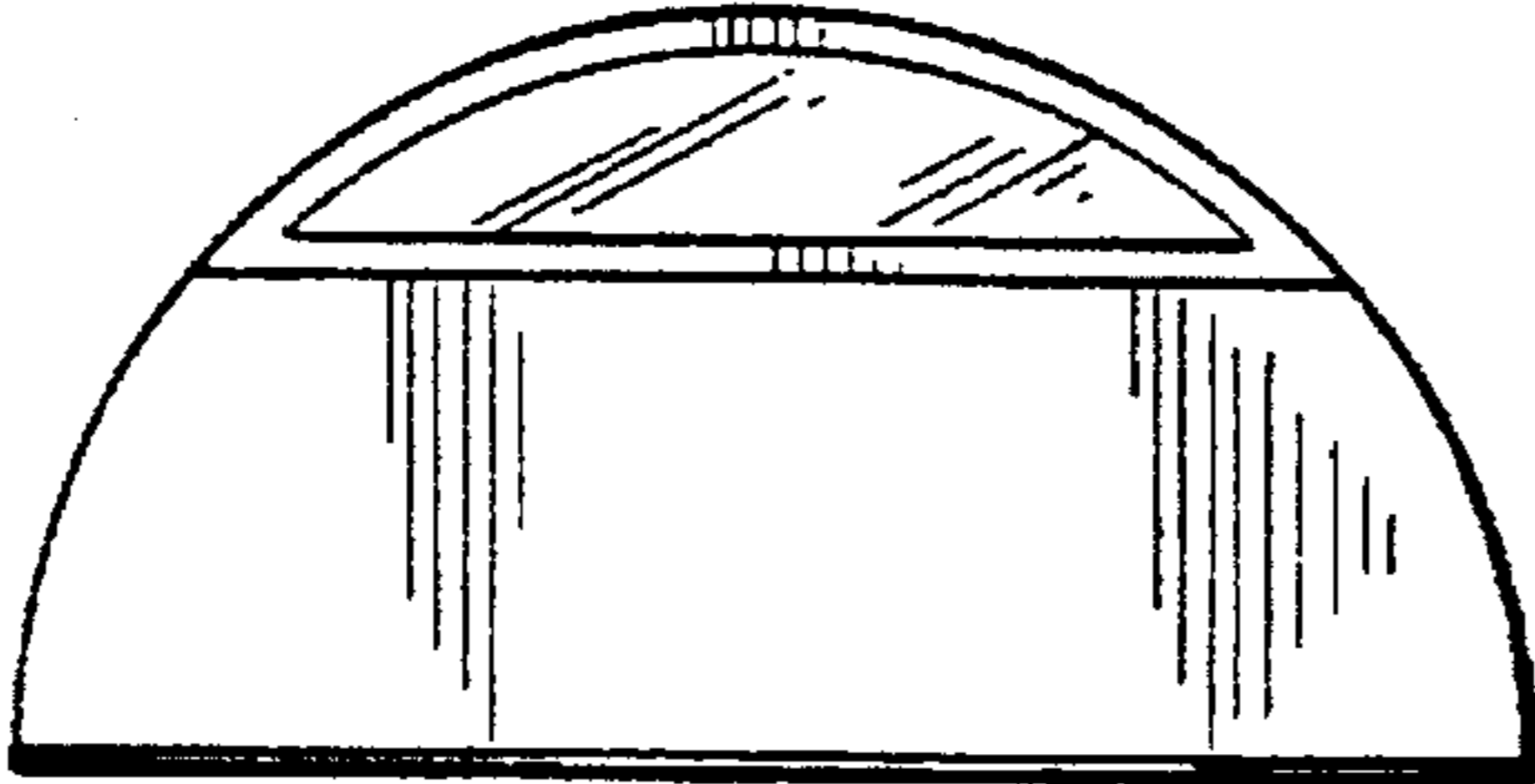


FIG. 5

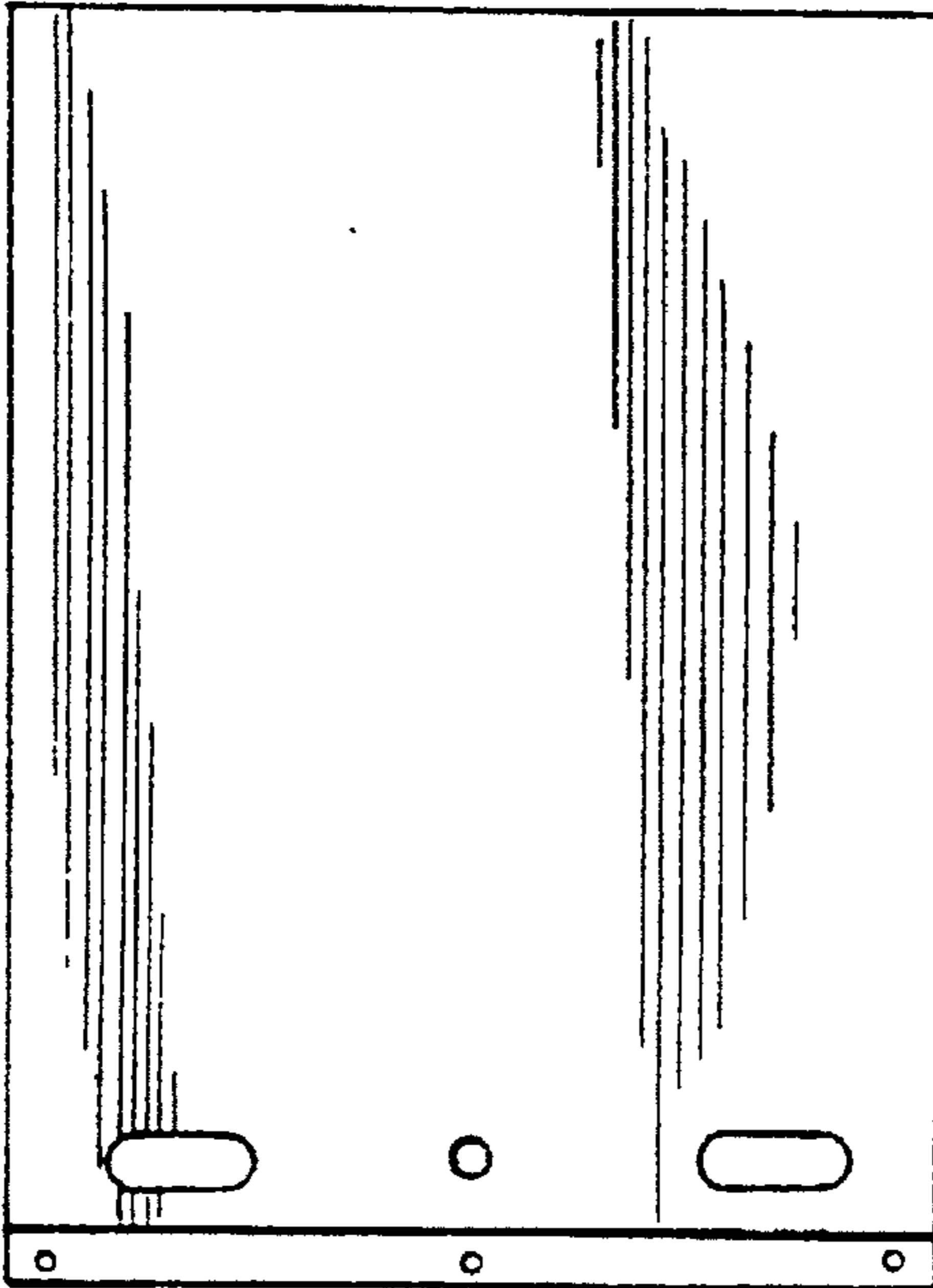


FIG. 6