



US00D382906S

United States Patent [19]

[11] Patent Number: **Des. 382,906**

Bach et al.

[45] Date of Patent: ****Aug. 26, 1997**

[54] **DISPLAY PLATFORM**

[75] Inventors: **Gary M. Bach**, Appleton; **James E. Buchman**, Hortonville, both of Wis.

[73] Assignee: **Reynolds Consumer Products, Inc.**, Appleton, Wis.

[**] Term: **14 Years**

[21] Appl. No.: **37,325**

[22] Filed: **Apr. 10, 1995**

[51] LOC (6) Cl. **20-03**

[52] U.S. Cl. **D20/10; D6/449**

[58] **Field of Search** D20/10, 41, 39; 206/45, 45.14, 45.17, 823; 211/87, 100, 101, 59.3; 217/11; D21/234; D6/332, 492, 487, 449, 376, 515; D9/414; 40/124, 584, 643, 649, 606

[56] **References Cited**

U.S. PATENT DOCUMENTS

- D. 218,244 8/1970 Hansen D33/14
- D. 267,739 1/1983 Hughes D21/234
- D. 337,903 8/1993 Shelton, Jr. D6/449 X

- 3,478,892 11/1969 Lockwood 211/126
- 4,463,684 8/1984 Klungle et al. 108/91
- 4,869,456 9/1989 Jacobs 248/678
- 5,076,534 12/1991 Adam 248/678
- 5,503,500 4/1996 Oliver et al. 248/678 X

FOREIGN PATENT DOCUMENTS

2425823 5/1978 France .

Primary Examiner—Susan J. Lucas
Assistant Examiner—Jennifer A. Register
Attorney, Agent, or Firm—Alan T. McDonald

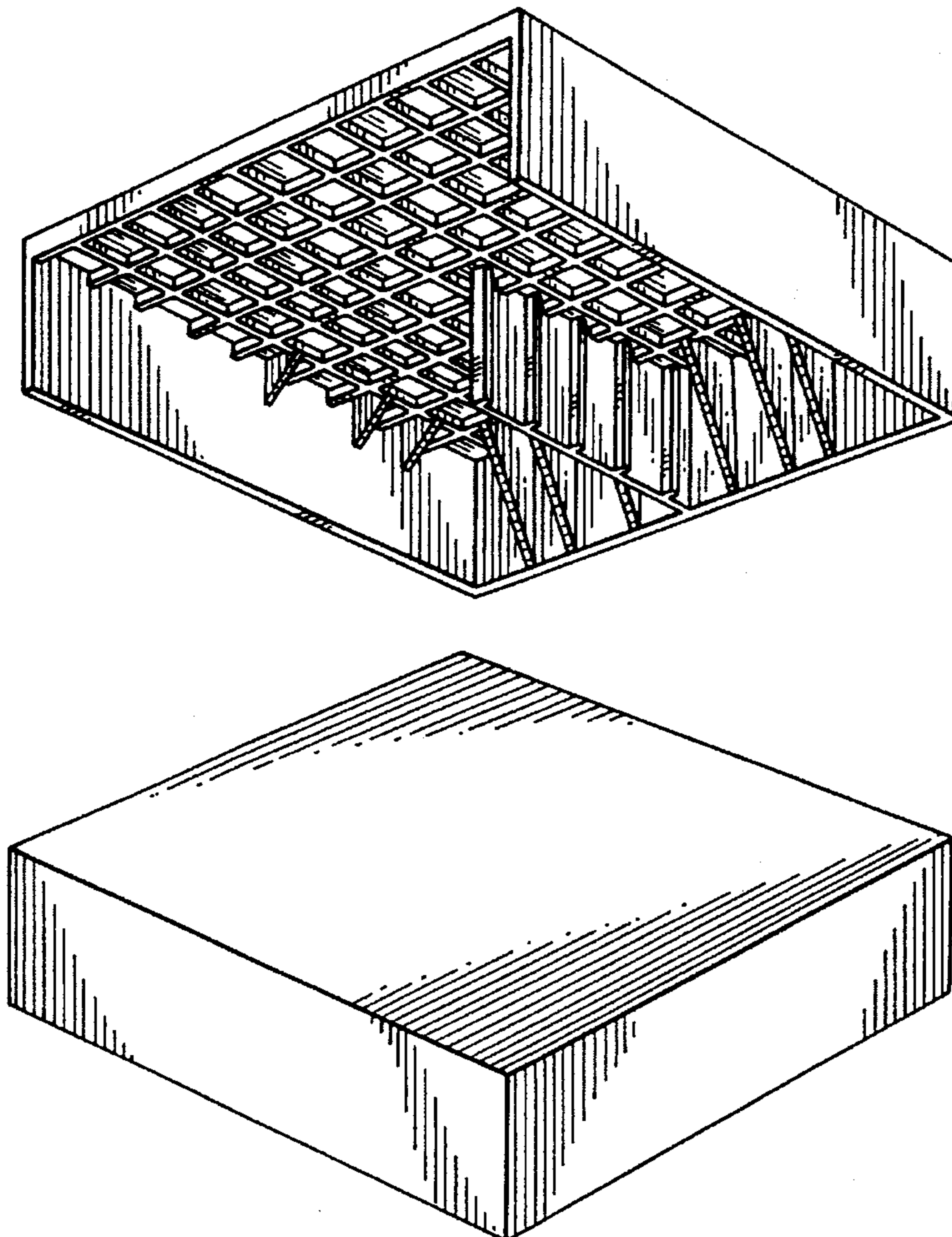
[57] **CLAIM**

The ornamental design for a display platform, as shown and described.

DESCRIPTION

FIG. 1 is a perspective view of an underside portion of a display platform showing our new design;
FIG. 2 is a perspective view of an upper portion of the display platform in FIG. 1;
FIG. 3 is a bottom view of the display platform in FIG. 1; and,
FIG. 4 is an end view of the display platform in FIG. 1.

1 Claim, 2 Drawing Sheets



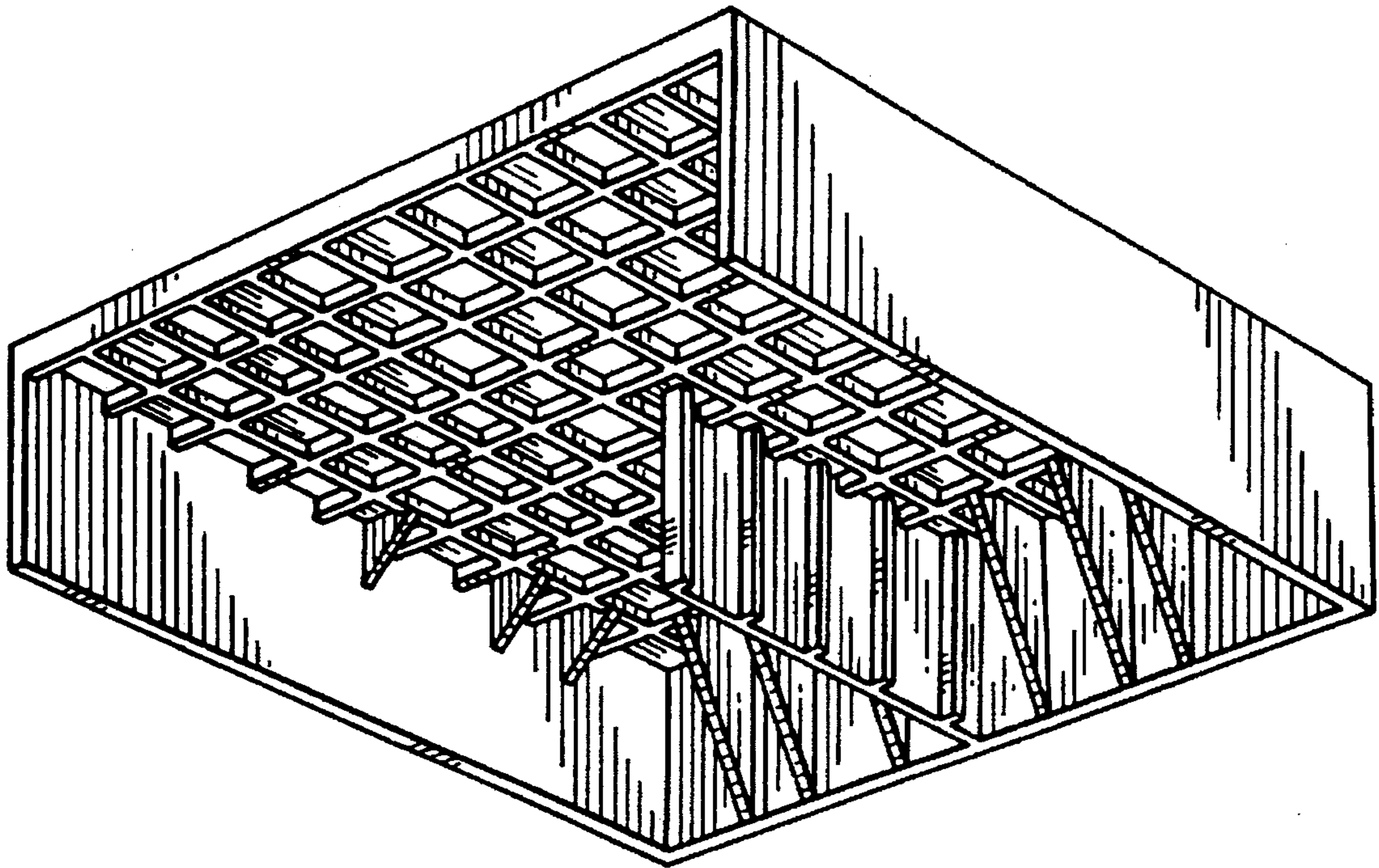


FIG. 1

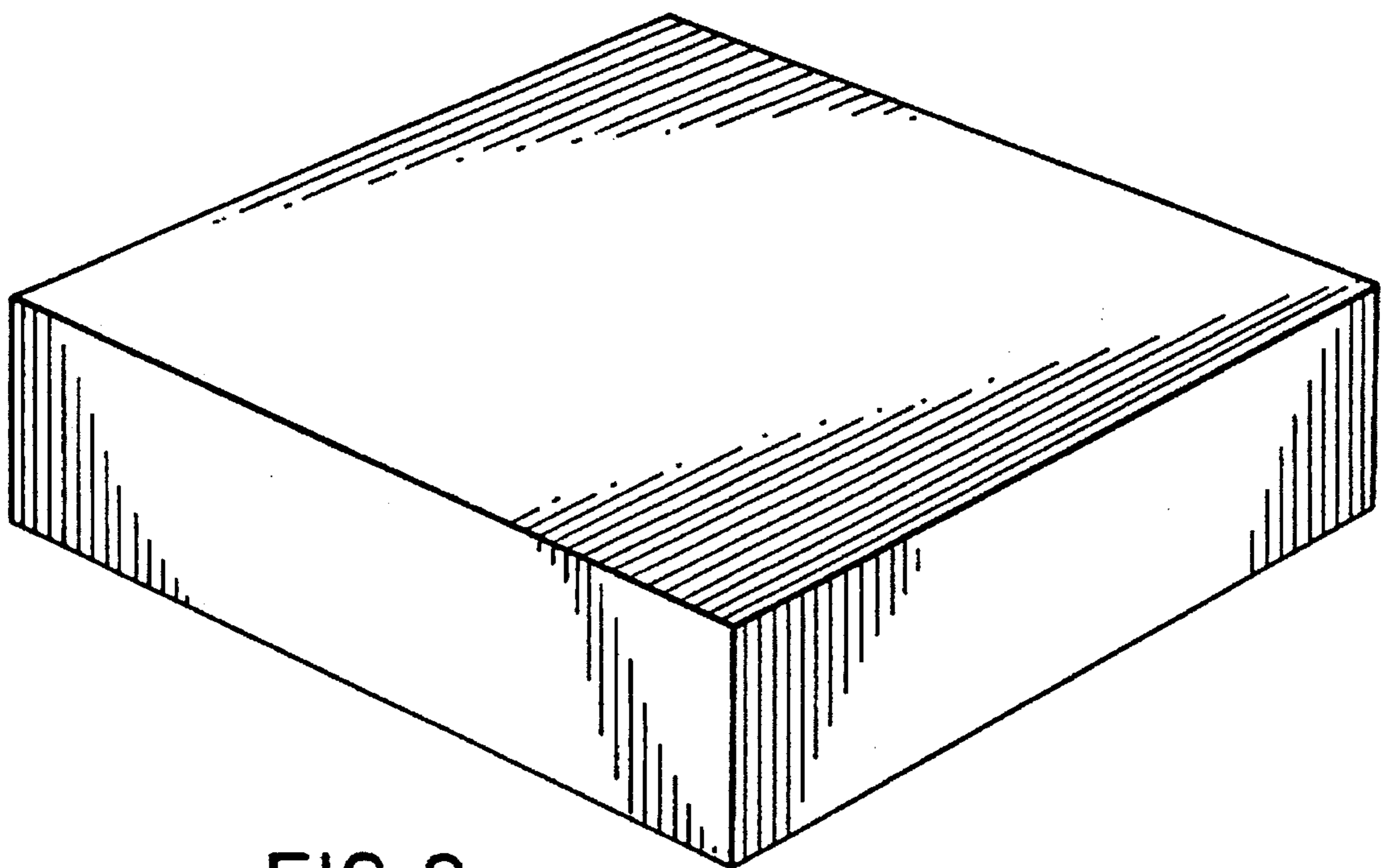


FIG. 2

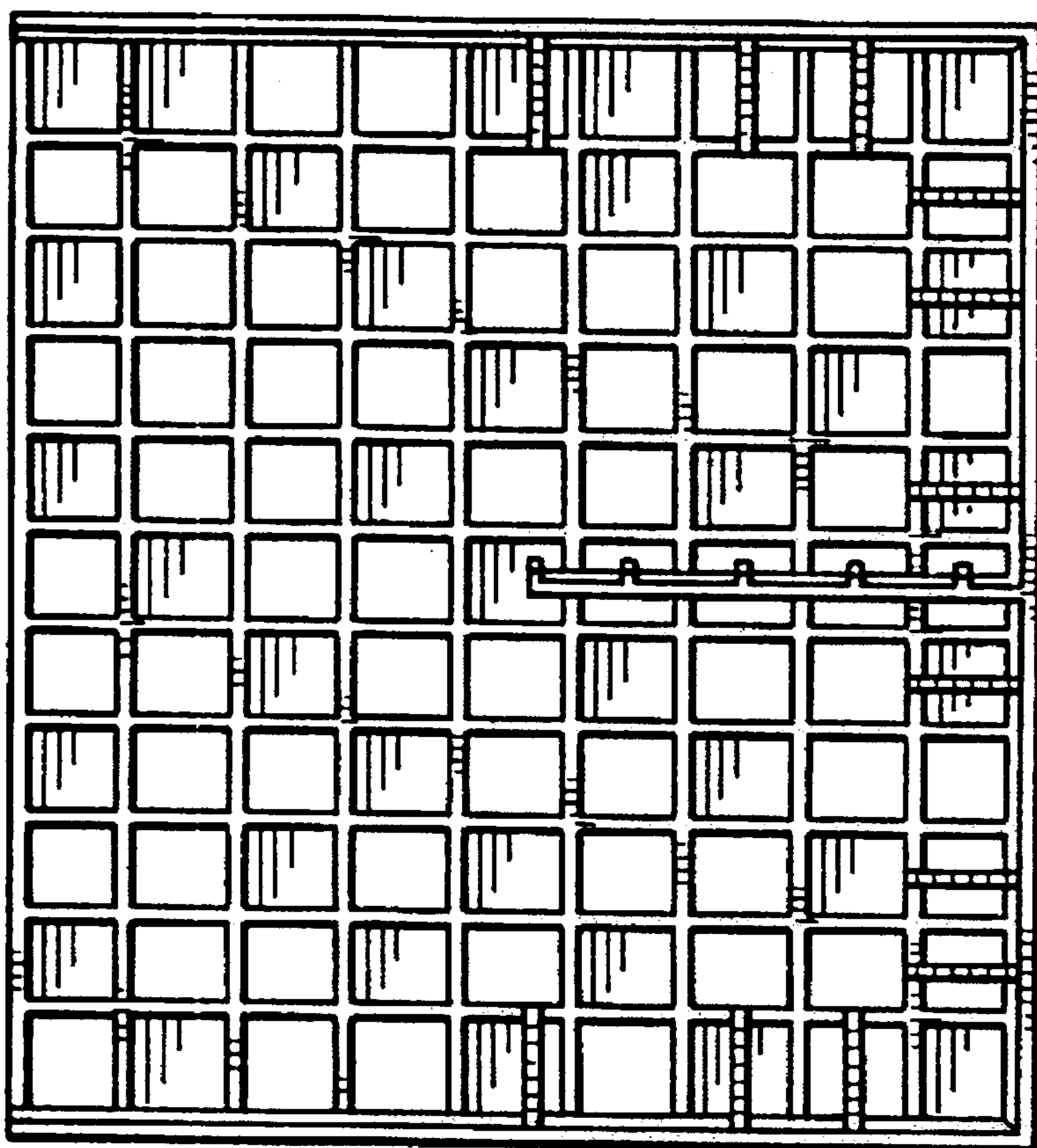


FIG. 3

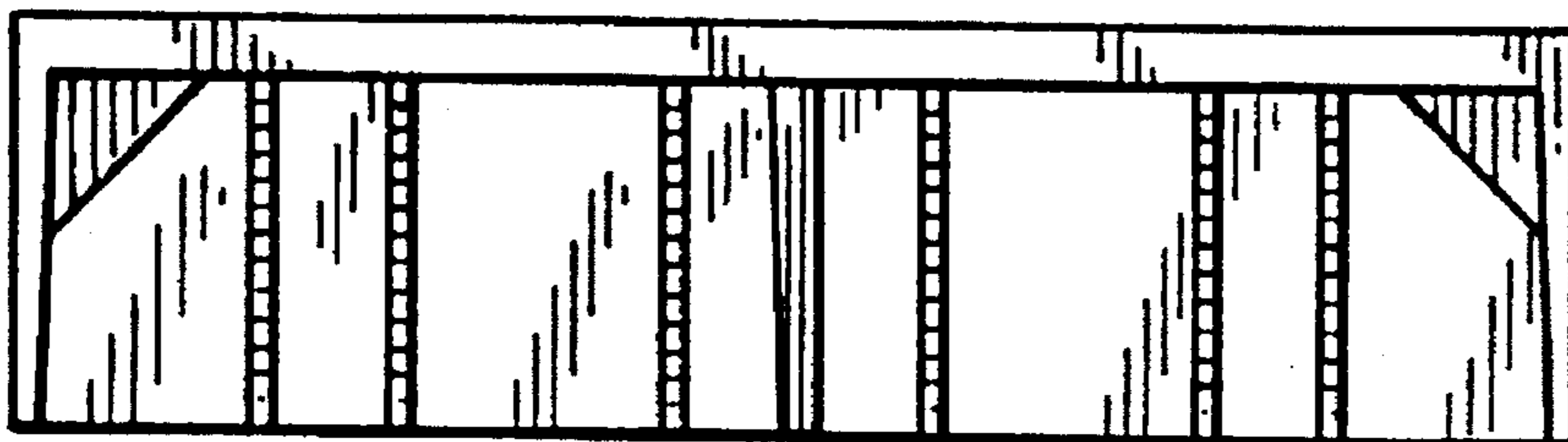


FIG. 4