



US00D382894S

United States Patent [19]

[11] Patent Number: Des. 382,894

Berriman et al.

[45] Date of Patent: **Aug. 26, 1997

[54] **INKJET PRINTER WITH COVERED MEDIA TRAYS**

[75] Inventors: **Richard E. Berriman**, Vancouver; **Donald R. Bloyer**; **Jeffrey J. Grange**, both of Brush Prairie; **Daniel R. Dwyer**, Washougal; **Michael Allison**, Brush Prairie, all of Wash.; **Diego A. Rodriguez**, Palo Alto, Calif.

[73] Assignee: **Hewlett-Packard Company**, Palo Alto, Calif.

[**] Term: **14 Years**

[21] Appl. No.: **50,890**

[22] Filed: **Feb. 29, 1996**

[51] LOC (6) Cl. **18-02**

[52] U.S. Cl. **D18/55**

[58] Field of Search D18/50, 54-55, D18/36-39; 400/613, 613.1-613.4, 691-694, 690.1-690.4

[56] **References Cited**

U.S. PATENT DOCUMENTS

D. 232,195	7/1974	Conway et al.	D18/55
D. 310,096	8/1990	Himburger	D18/55
D. 317,173	5/1991	Kojima et al.	D18/22
D. 318,684	7/1991	Frii et al.	D18/55
D. 322,451	12/1991	McClelland et al.	D18/55
D. 333,153	2/1993	Uchibori et al.	D18/55
D. 335,894	5/1993	Nishikaze et al.	D18/55
D. 343,637	1/1994	Umino et al.	D18/55
D. 348,899	7/1994	Masujima et al.	D18/55
D. 350,364	9/1994	Kawashima et al.	D18/50
D. 356,596	3/1995	Dubson et al.	D18/55
D. 358,603	5/1995	Dodge et al.	D18/55
D. 370,026	5/1996	McGlashan	D18/55

D. 373,378	9/1996	Brown et al.	D18/55
D. 373,380	9/1996	Dwyer et al.	D18/55
D. 374,685	10/1996	Tsuruaka	D18/54
4,744,681	5/1988	Sheldon	400/121
4,958,823	9/1990	Iwaki et al.	271/9
5,454,553	10/1995	Firl et al.	271/4.04

FOREIGN PATENT DOCUMENTS

67870	1/1991	Canada	D18/55
63-165242	7/1988	Japan	271/164
1-35567	2/1989	Japan	D18/49
2-92569	4/1990	Japan	400/693

OTHER PUBLICATIONS

Tektronix brochure; Phaser IISD Color Printer; Apr. 24, 1993; D18-55.

Epson Laser Printer LP 1500S brochure; Dec. 3, 1993; D18-50.

Domus Magazine; Oct. 1994, vol. 764, no page number, "Printer for small offices". Epson LX-100.

Primary Examiner—Cathy Anne MacCormac
Attorney, Agent, or Firm—Flory L. Martin

[57] **CLAIM**

The ornamental design for an inkjet printer with covered media trays, as shown and described.

DESCRIPTION

FIG. 1 is a perspective view of an inkjet printer with covered media trays in accordance with the present invention shown in operable position for printing; FIG. 2 is a front elevational view thereof; FIG. 3 is a left side elevational view thereof; FIG. 4 is a rear elevational view thereof; FIG. 5 is a right side elevational view thereof; FIG. 6 is a top plan view thereof; and, FIG. 7 is a bottom plan view thereof.

1 Claim, 7 Drawing Sheets

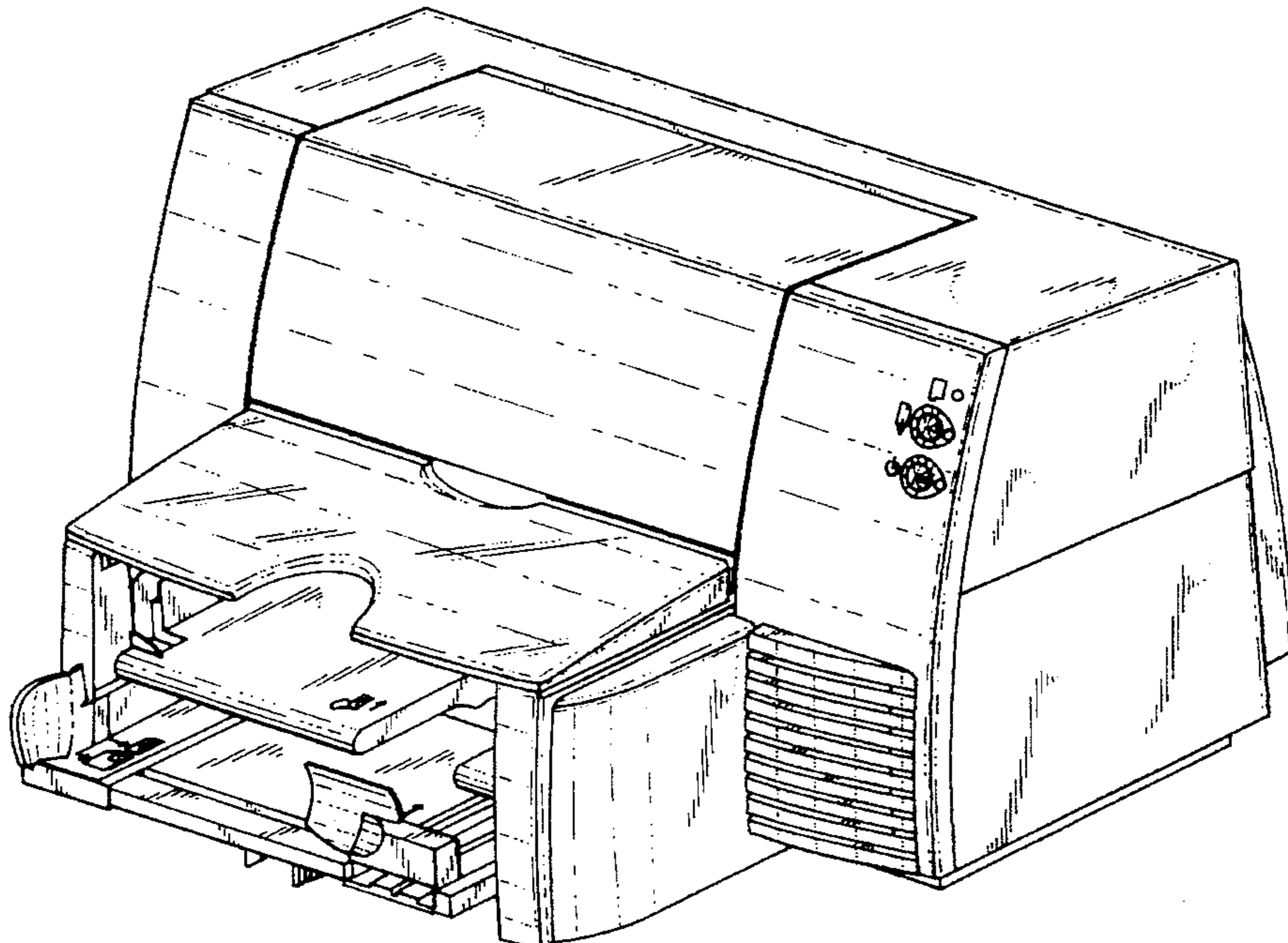
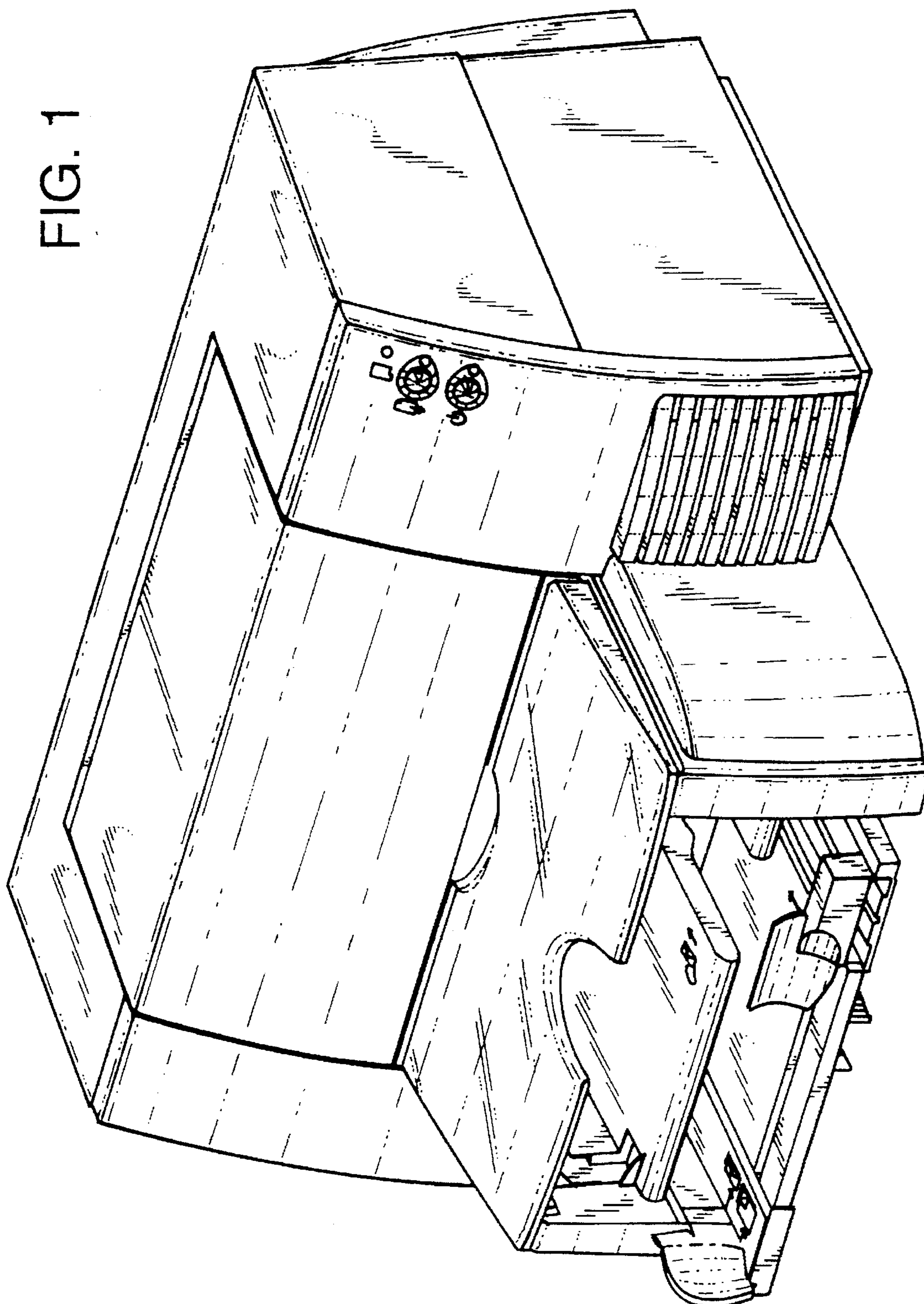


FIG. 1



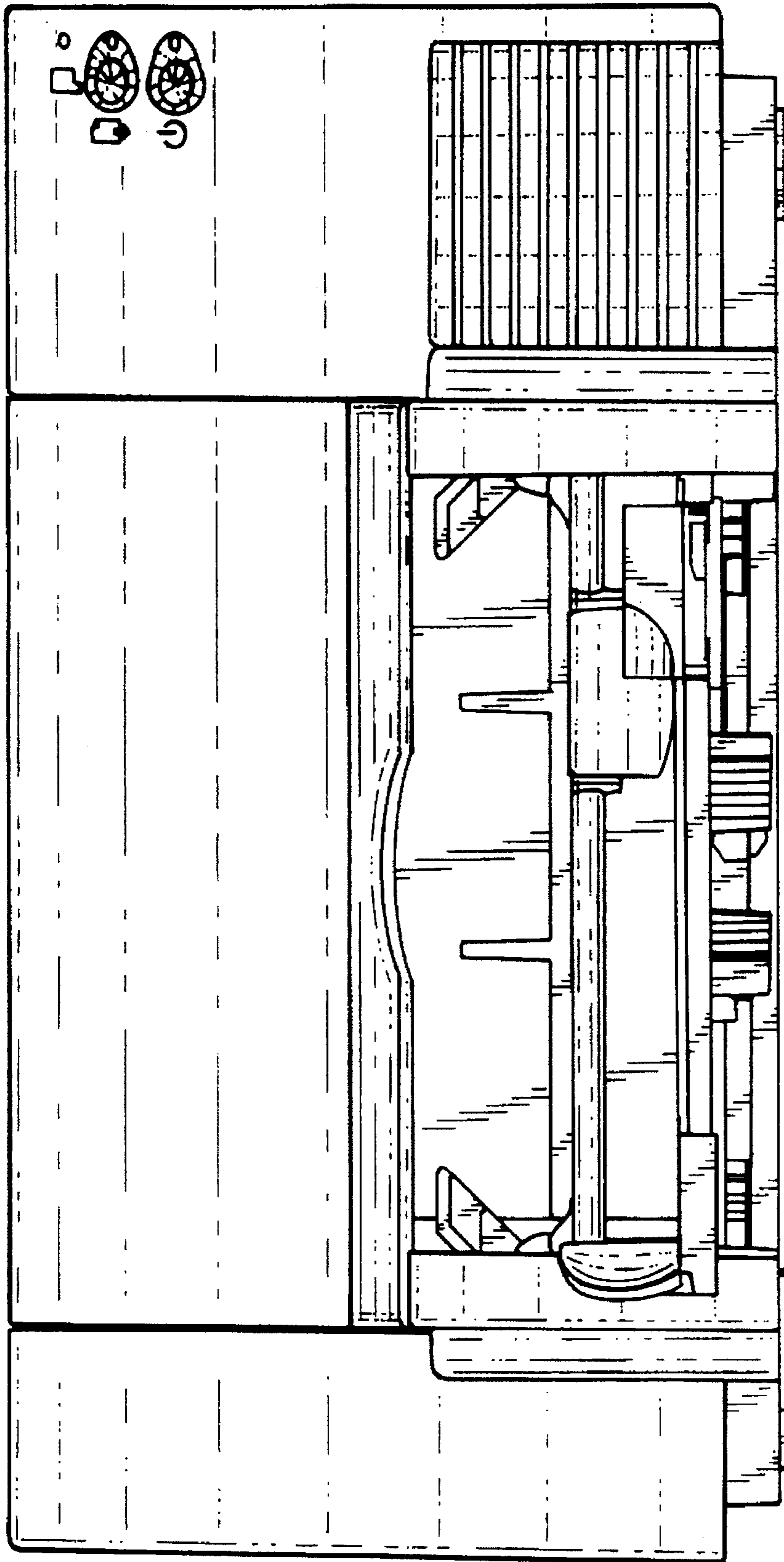
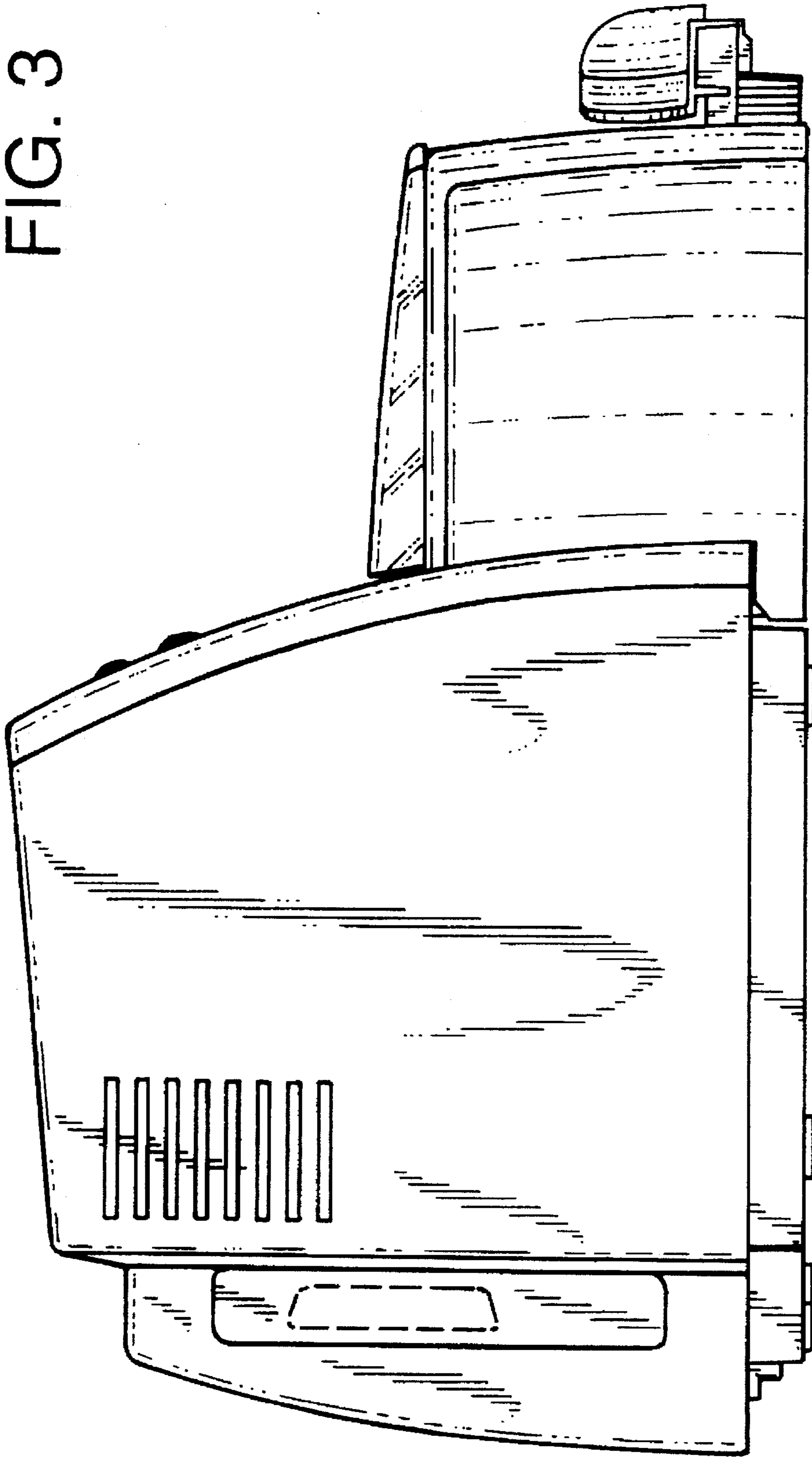


FIG. 2

FIG. 3



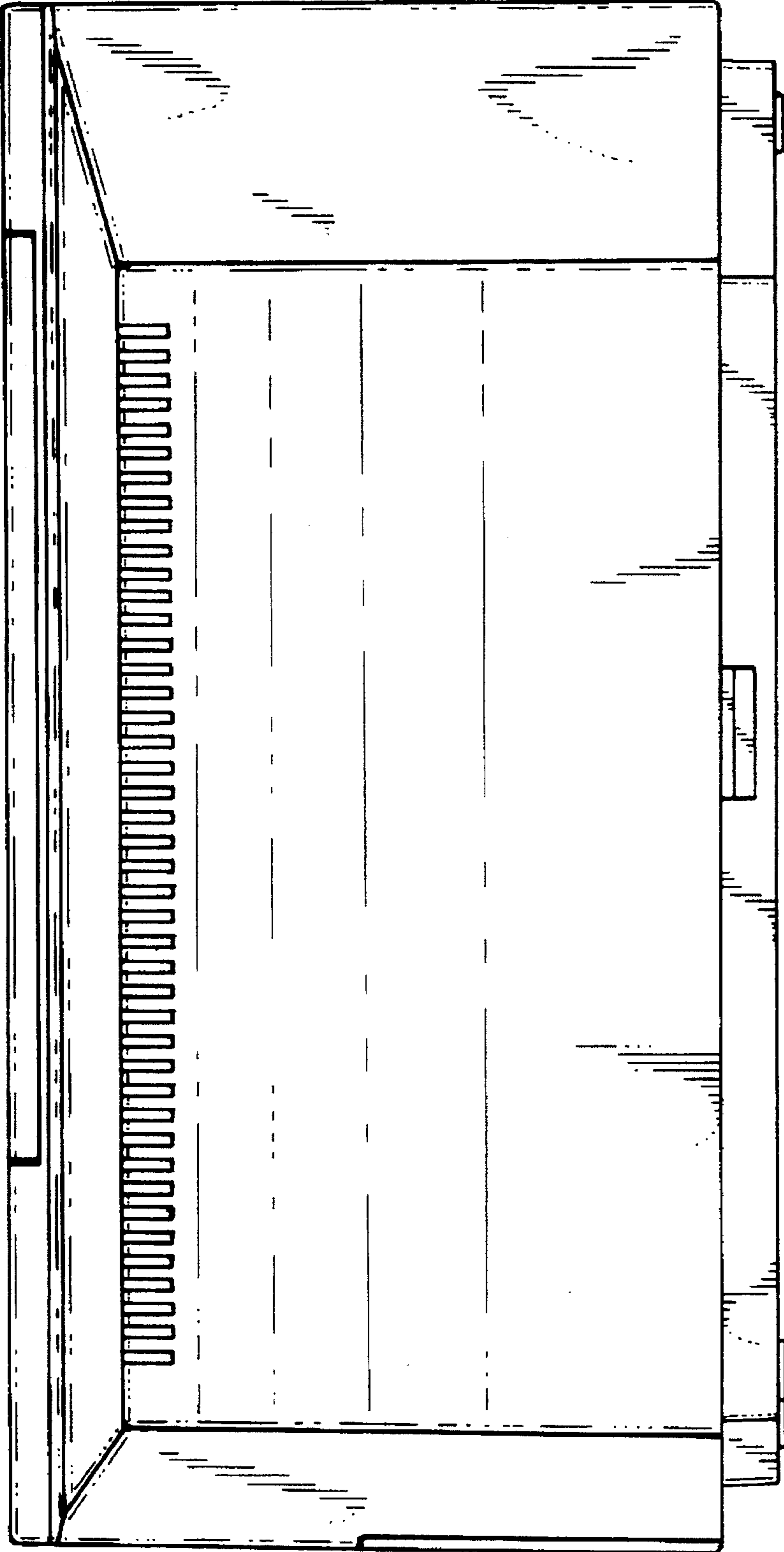


FIG. 4

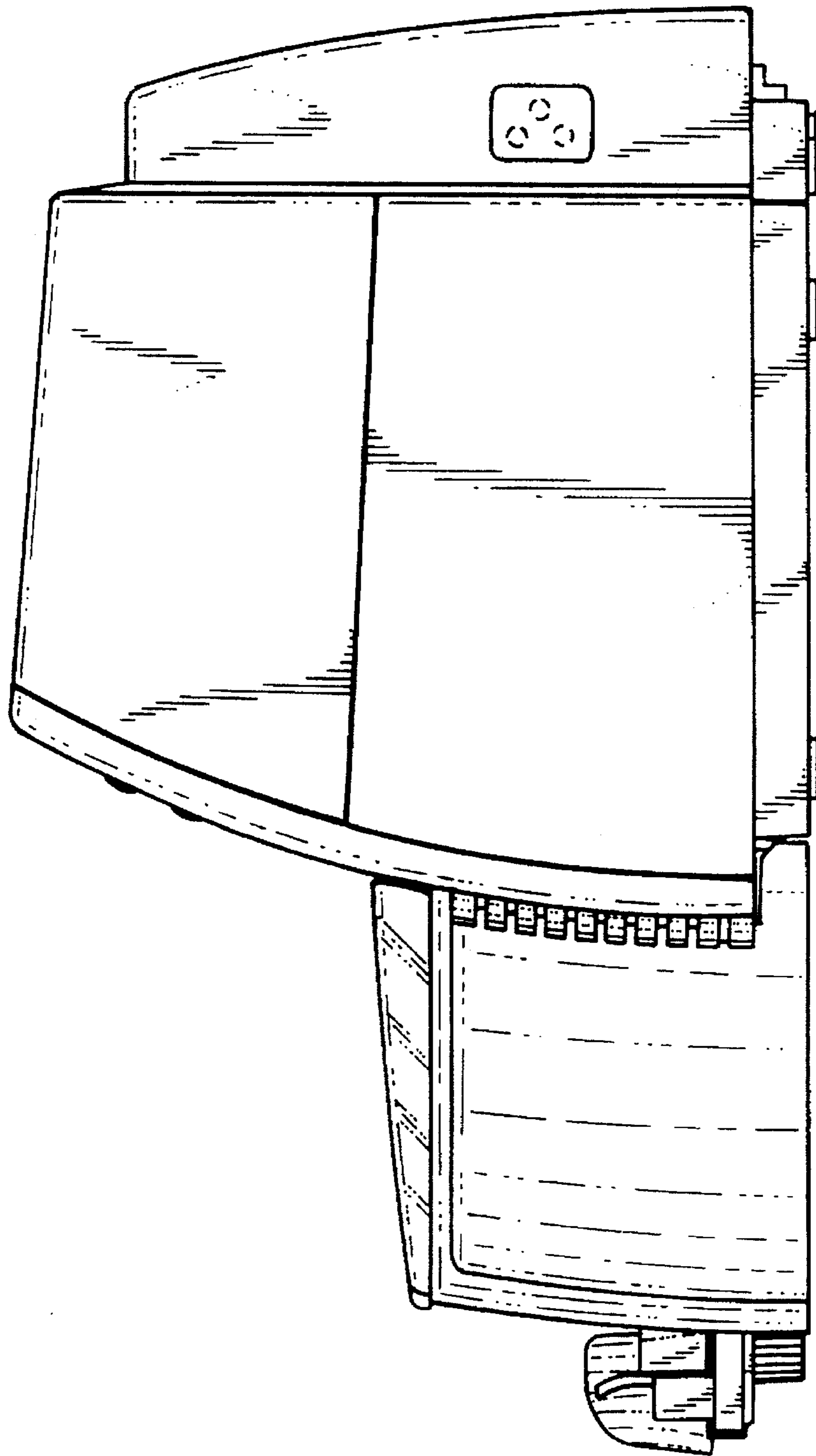


FIG. 5

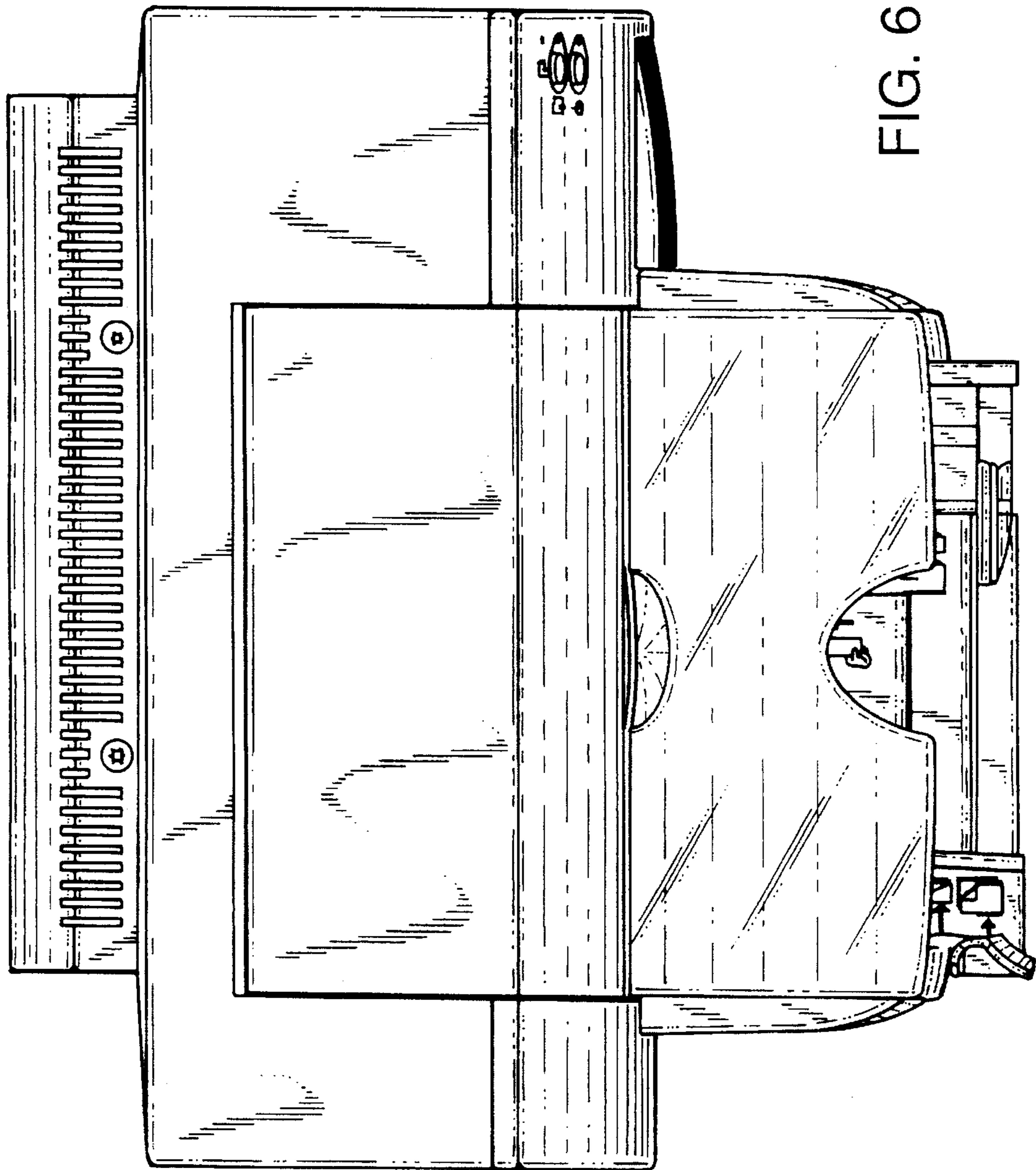


FIG. 6

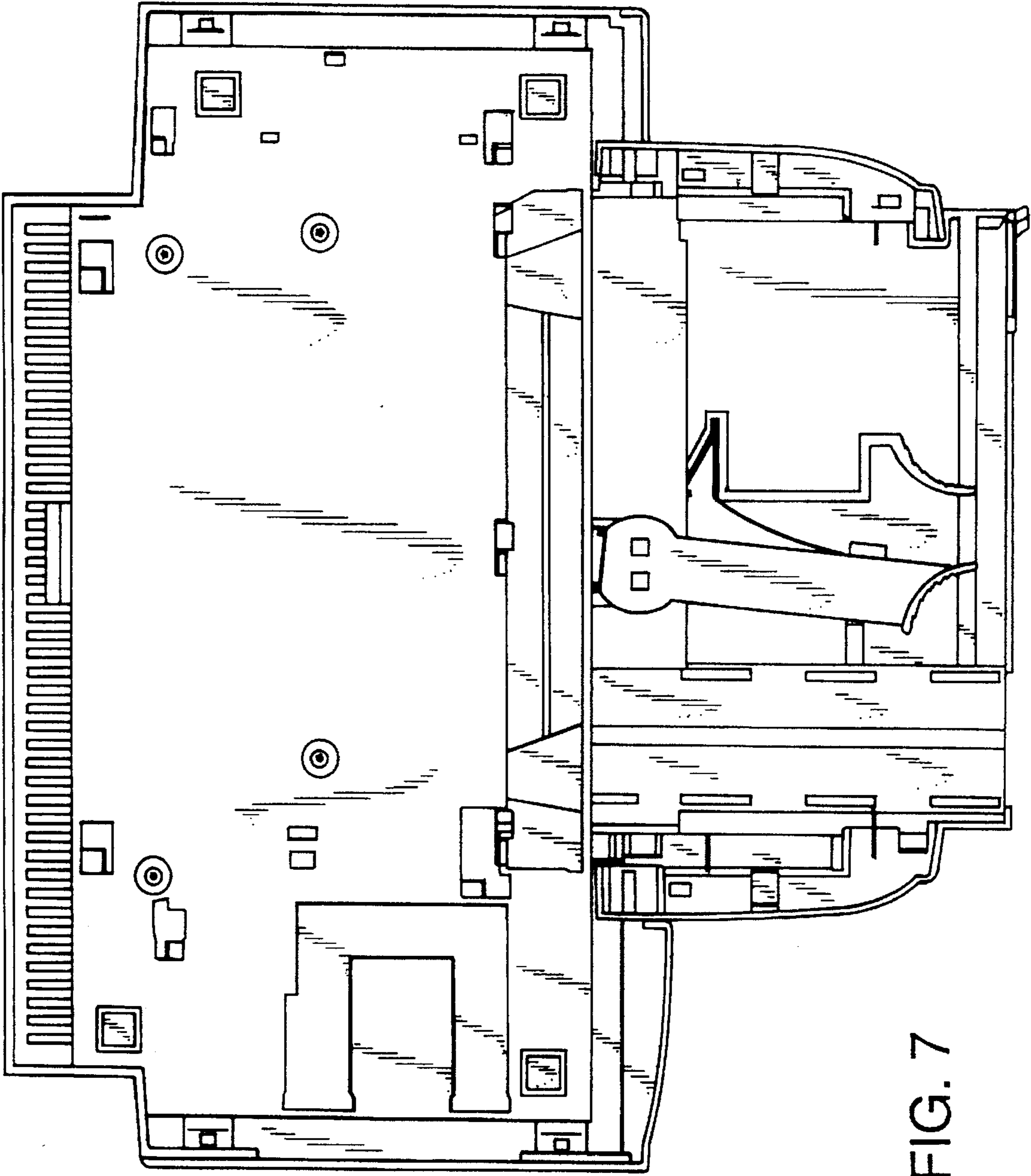


FIG. 7