



US00D382886S

United States Patent [19]

[11] Patent Number: **Des. 382,886**

Fløysvik

[45] Date of Patent: ****Aug. 26, 1997**

[54] **BOTTLE COOLER**

D. 325,483	4/1992	Muhlack	D6/472
D. 334,303	3/1993	Costello et al.	D6/470
3,999,475	12/1976	Roderick	312/236

[76] Inventor: **Jan Egil Fløysvik**, Dybingveien 19,
N-4300 Sandnes, Norway

[**] Term: **14 Years**

[21] Appl. No.: **39,296**

[22] Filed: **May 22, 1995**

[30] **Foreign Application Priority Data**

Nov. 23, 1994 [NO] Norway 940736

[51] LOC (6) Cl. **15-07**

[52] U.S. Cl. **D15/79; D6/470**

[58] **Field of Search** D6/436, 470-472;
D15/79-86; D25/16; 312/114, 116, 117,
119, 138.1, 139.2, 234.1, 236; 62/246-254,
457.1-457.9

[56] **References Cited**

U.S. PATENT DOCUMENTS

D. 254,327	2/1980	Tasse	D25/16
D. 308,686	6/1990	Frost et al.	D15/82

OTHER PUBLICATIONS

Food service Equipment Specialists May 1979 p. 53 "Lern-A-Round".

Primary Examiner—Sandra L. Morris
Attorney, Agent, or Firm—J. Rodgers Lunsford, III; Herbert M. Hanegan

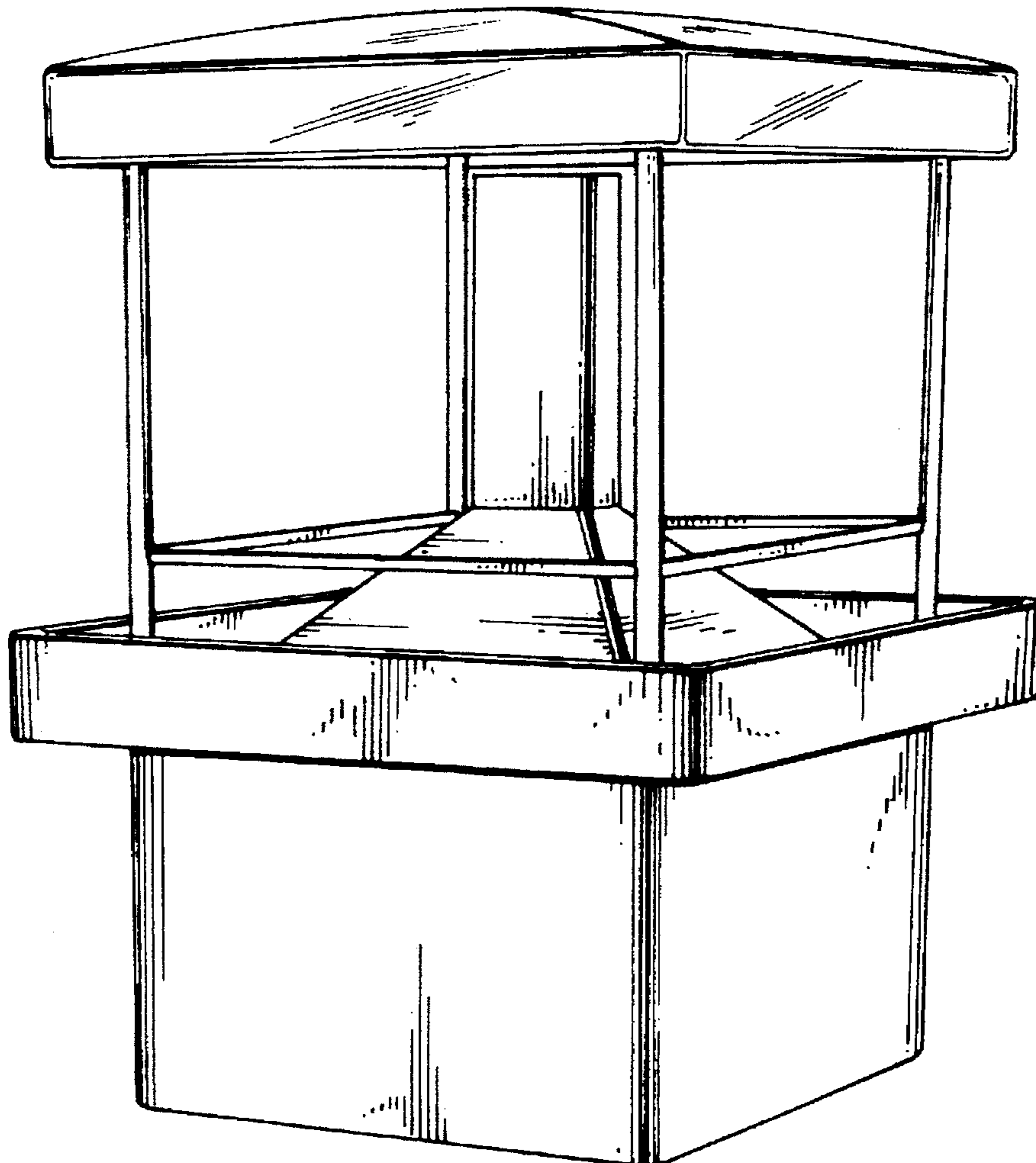
[57] **CLAIM**

The ornamental design for a bottle cooler, as shown.

DESCRIPTION

FIG. 1 is a front and side perspective view of the bottle cooler showing my new design;
FIG. 2 is a rear and side perspective view thereof;
FIG. 3 is a front elevational view thereof;
FIG. 4 is a side elevational view thereof;
FIG. 5 is a top plan view thereof; and,
FIG. 6 is a bottom plan view thereof.

1 Claim, 3 Drawing Sheets



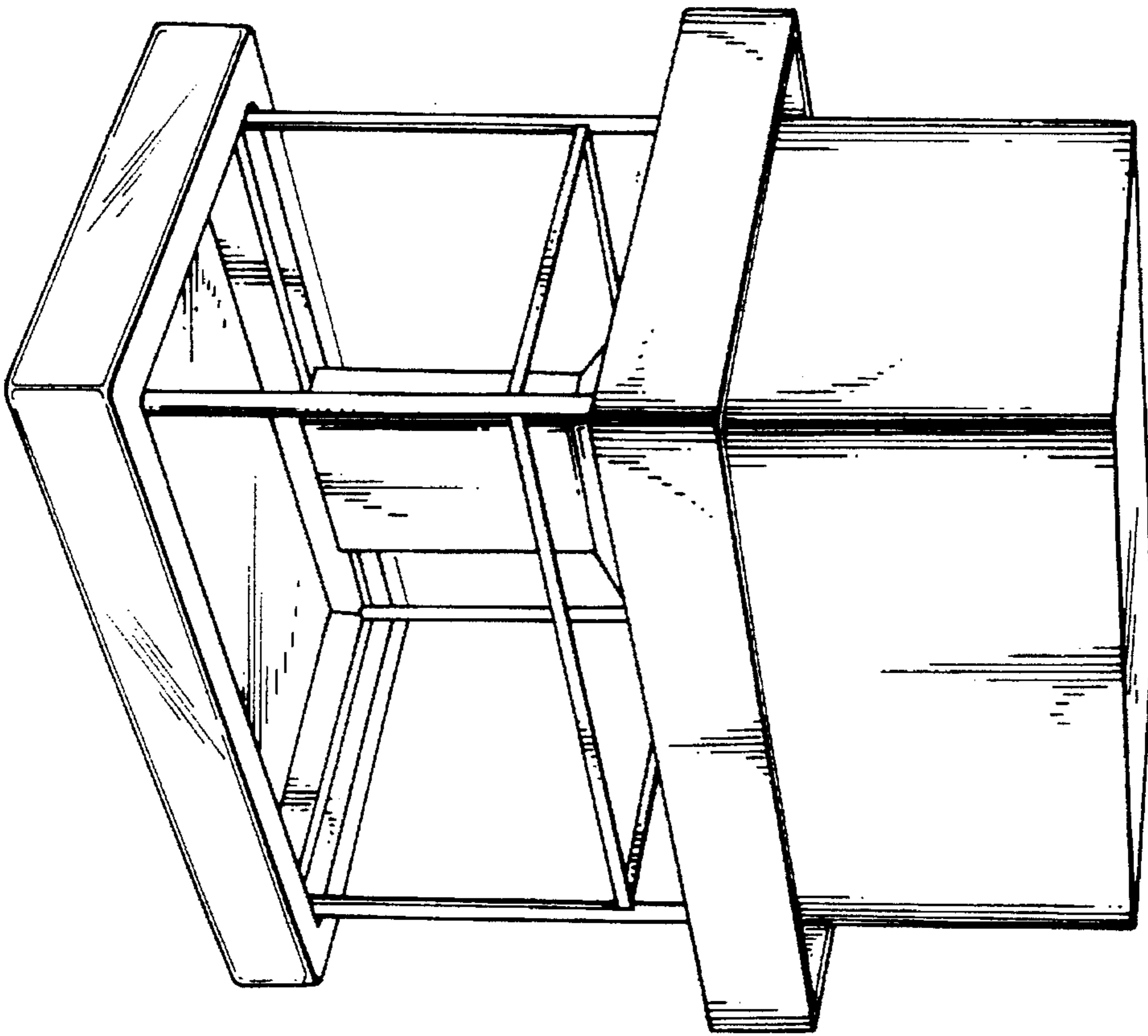


Fig. 2

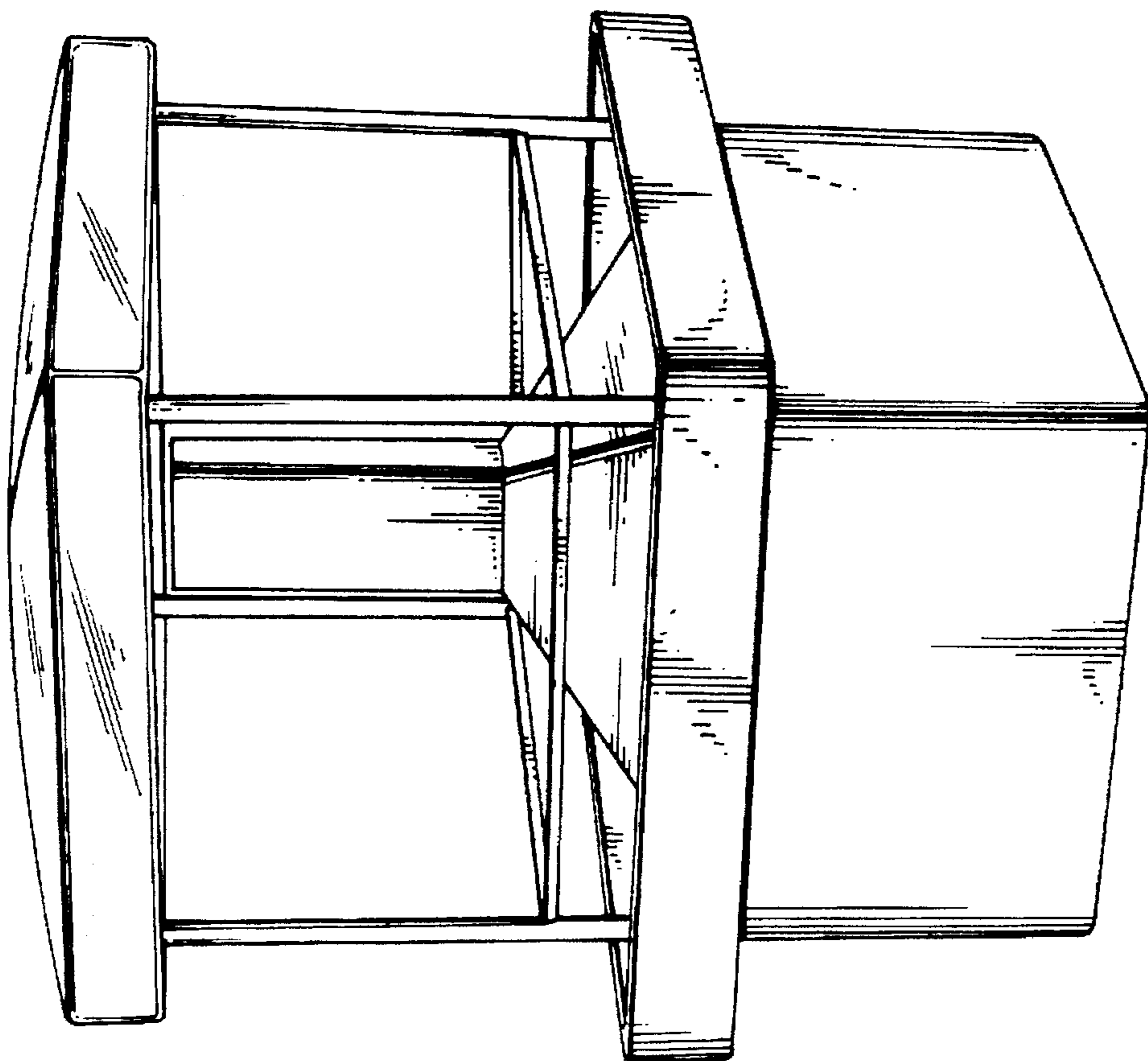


Fig. 1

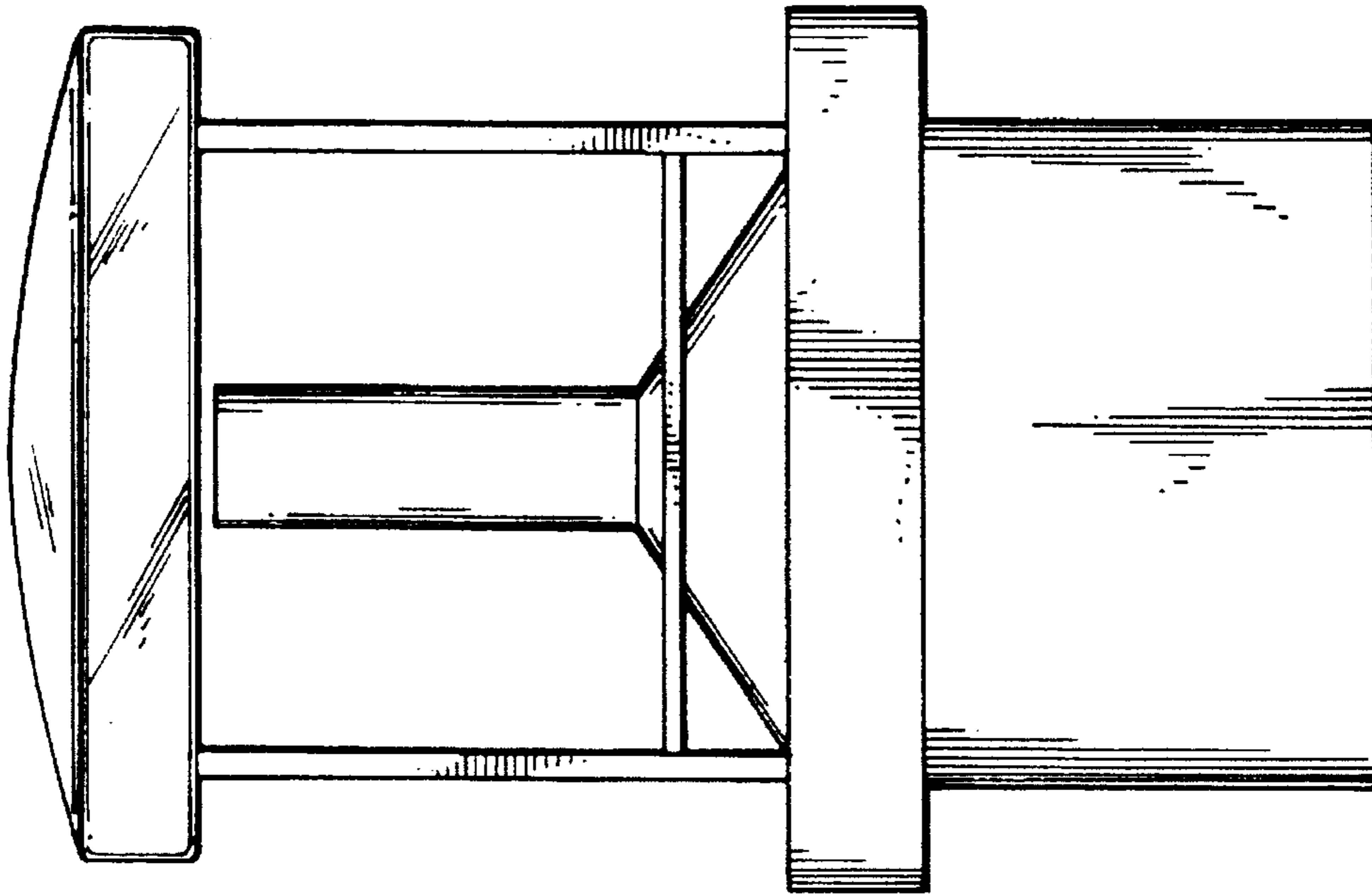


Fig. 4

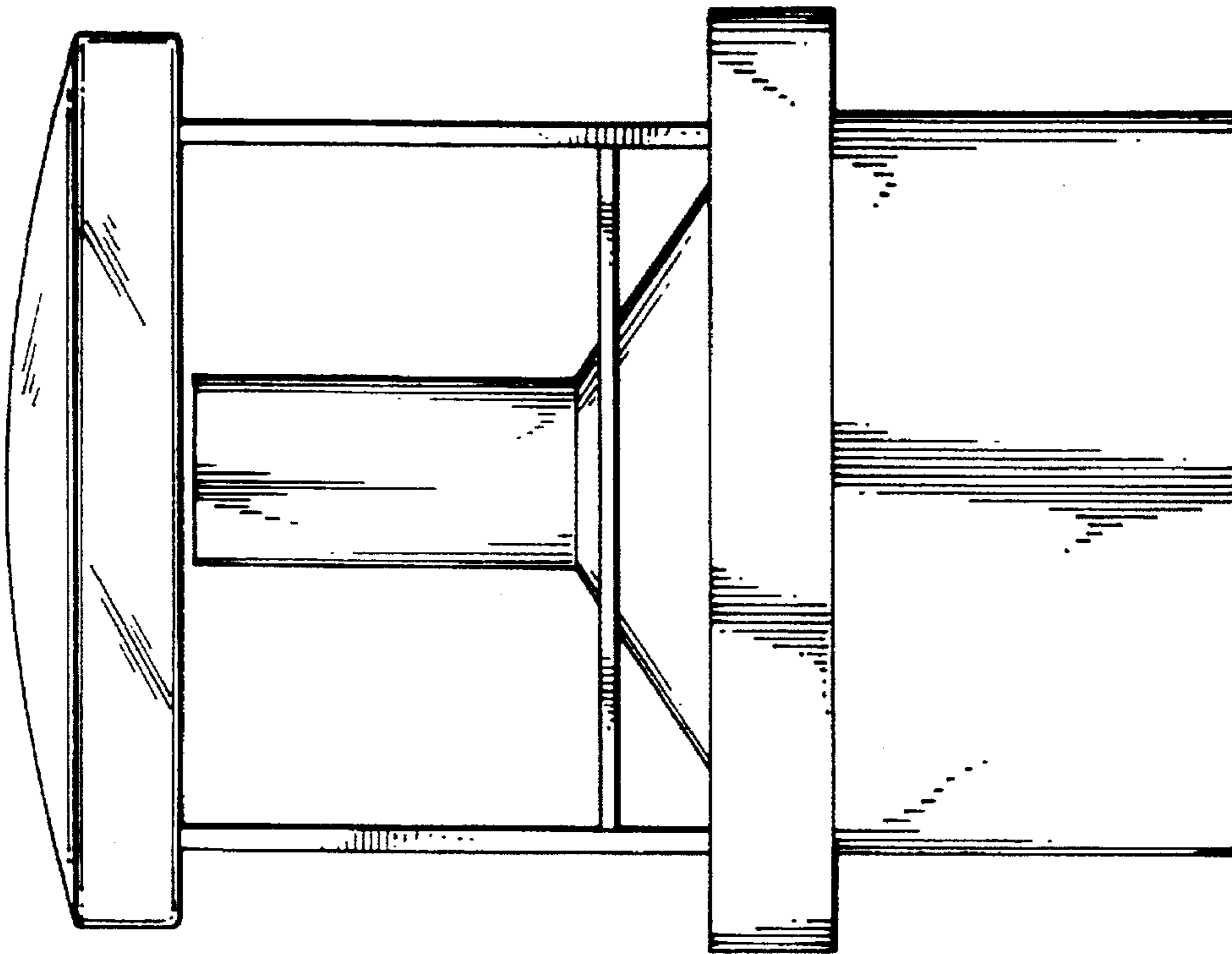


Fig. 3

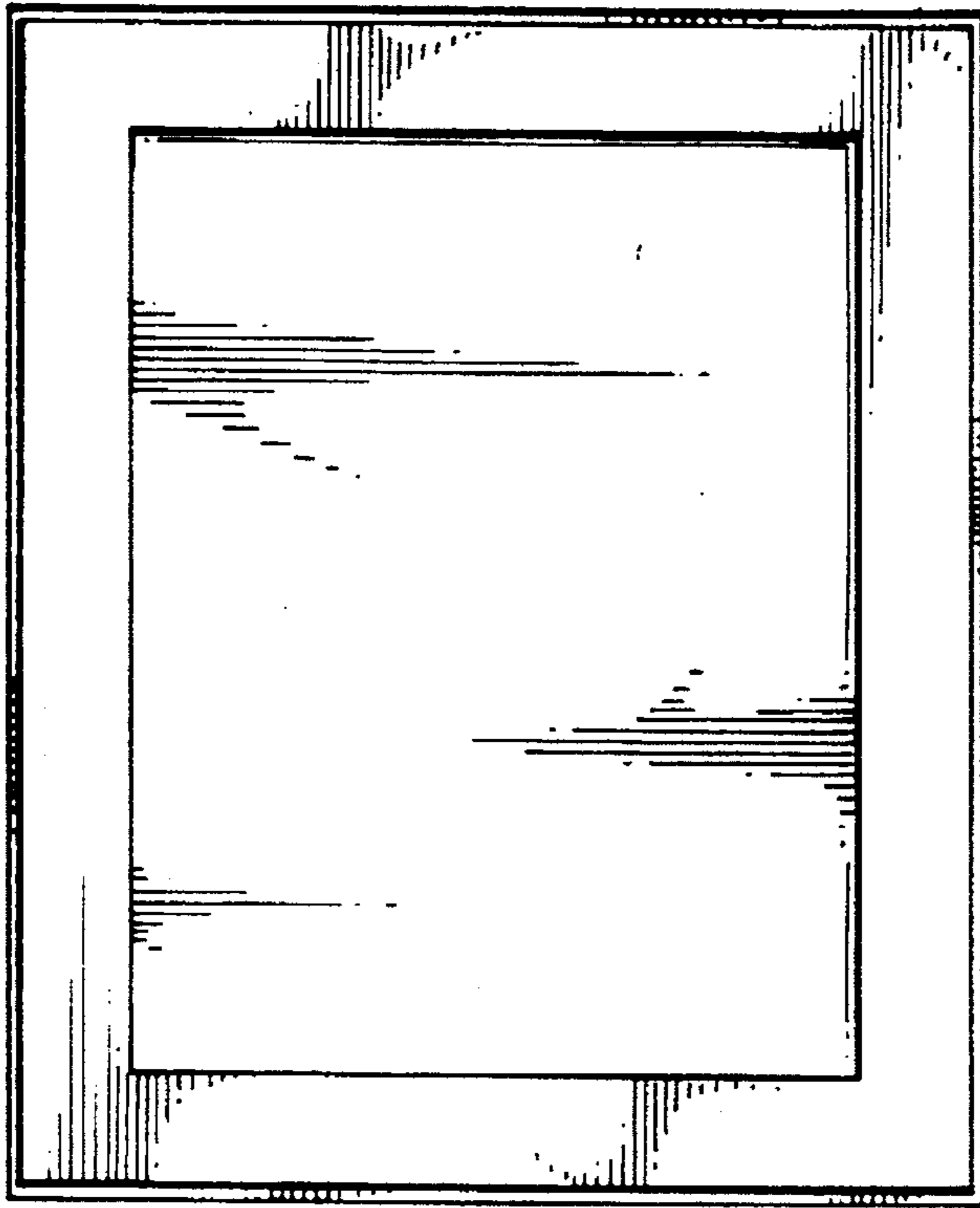


Fig. 6

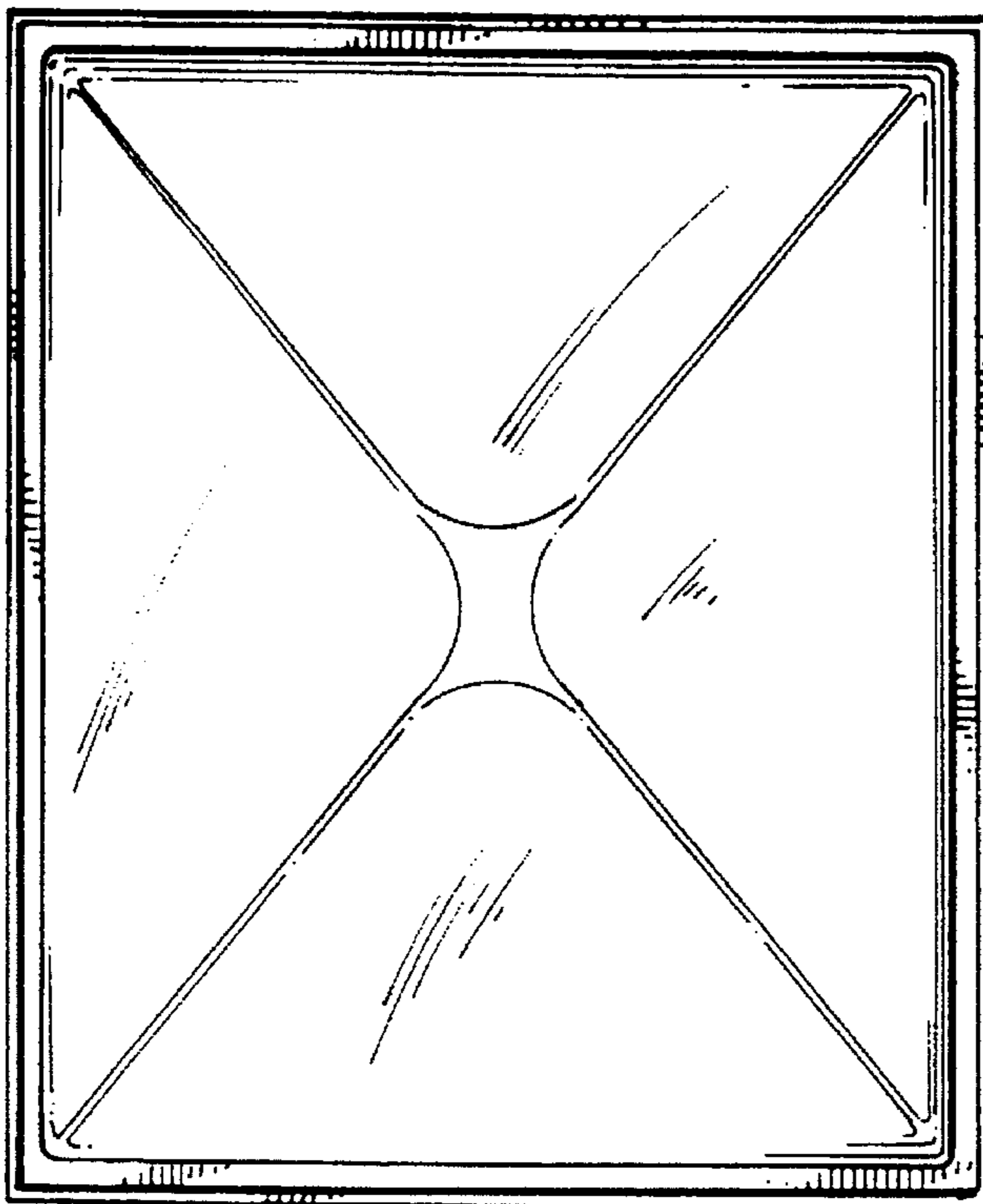


Fig. 5