



US00D382885S

United States Patent [19]

[11] Patent Number: **Des. 382,885**

Deiner et al.

[45] Date of Patent: ****Aug. 26, 1997**

[54] **CONSOLE FOR REFRIGERANT RECYCLING**

[75] Inventors: **Curt A. Deiner**, Burnsville; **Philip C. Dretzka**, Minneapolis; **Peter A. Richichi**, Lakeville; **Daniel T. Neimy**, Minneapolis, all of Minn.

5,181,388 1/1993 Abraham 62/77
 5,226,300 7/1993 Christensen et al. 62/77
 5,262,013 11/1993 Beal et al. 203/18
 5,263,331 11/1993 Sergius 62/77
 5,272,882 12/1993 Degier et al. 62/77

Primary Examiner—Sandra L. Morris
 Attorney, Agent, or Firm—Dorsey & Whitney LLP

[73] Assignee: **Century Mfg. Co.**, Minneapolis, Minn.
 [**] Term: **14 Years**

[57] CLAIM

The ornamental design for a console for refrigerant recycling, as shown.

[21] Appl. No.: **30,535**
 [22] Filed: **Nov. 1, 1994**

DESCRIPTION

[51] LOC (6) Cl. **15-07**
 [52] U.S. Cl. **D15/79**
 [58] Field of Search D15/79; D23/207,
 D23/209; 62/77, 85, 125, 128, 129, 149,
 292

FIG. 1 is a top front perspective view, lined for color, of a console for refrigerant recycling, showing our new design; FIG. 2 is a top rear perspective view thereof; FIG. 3 is a bottom front perspective view thereof; FIG. 4 is a bottom perspective view thereof; FIG. 5 is a top perspective view thereof; FIG. 6 is a right side perspective view thereof; FIG. 7 is a left side perspective view thereof; FIG. 8 is a front perspective view thereof; FIG. 9 is a top front perspective view, unlined for clarity, of a console for refrigerant recycling, showing our new design; FIG. 10 is a top rear perspective view thereof; FIG. 11 is a bottom front perspective view thereof; FIG. 12 is a bottom perspective view thereof; FIG. 13 is a top perspective view thereof; FIG. 14 is a right side perspective view thereof; FIG. 15 is a left side perspective view thereof; and, FIG. 16 is a front perspective view thereof. FIGS. 3, 4, 6-8, 11, 12, and 14-16 are shown on a reduced scale.

[56] References Cited

U.S. PATENT DOCUMENTS

D. 248,942	8/1978	Kniss	D13/2
D. 290,491	6/1987	Goddard	D23/1
D. 292,429	10/1987	Spink	D23/209
D. 306,339	2/1990	Slovak	D23/207
D. 314,607	2/1991	Kapoc et al.	D23/209
D. 327,468	6/1992	Dea et al.	D13/104
D. 328,777	8/1992	Thalmann et al.	D23/209
D. 332,993	2/1993	Dea et al.	D23/207
D. 337,592	7/1993	Hider et al.	D15/79
D. 352,090	11/1994	Dea et al.	D23/207
D. 359,055	6/1995	Drago et al.	D15/79
2,565,273	8/1951	Shuler et al.	320/2
5,039,930	8/1991	Collier et al.	320/2
5,077,513	12/1991	Dea et al.	320/2
5,091,081	2/1992	Hilgren	210/195.2
5,100,562	3/1992	Proctor	210/774
5,167,826	12/1992	Eaton	210/651
5,168,721	12/1992	Hancock et al.	62/77

The broken line showing in FIGS. 2 and 10 is for illustrative purposes only, and forms no part of the claimed design. FIGS. 1-8 are shown lined for color. FIGS. 9-16 are shown unlined to show the invention with improved clarity.

1 Claim, 10 Drawing Sheets

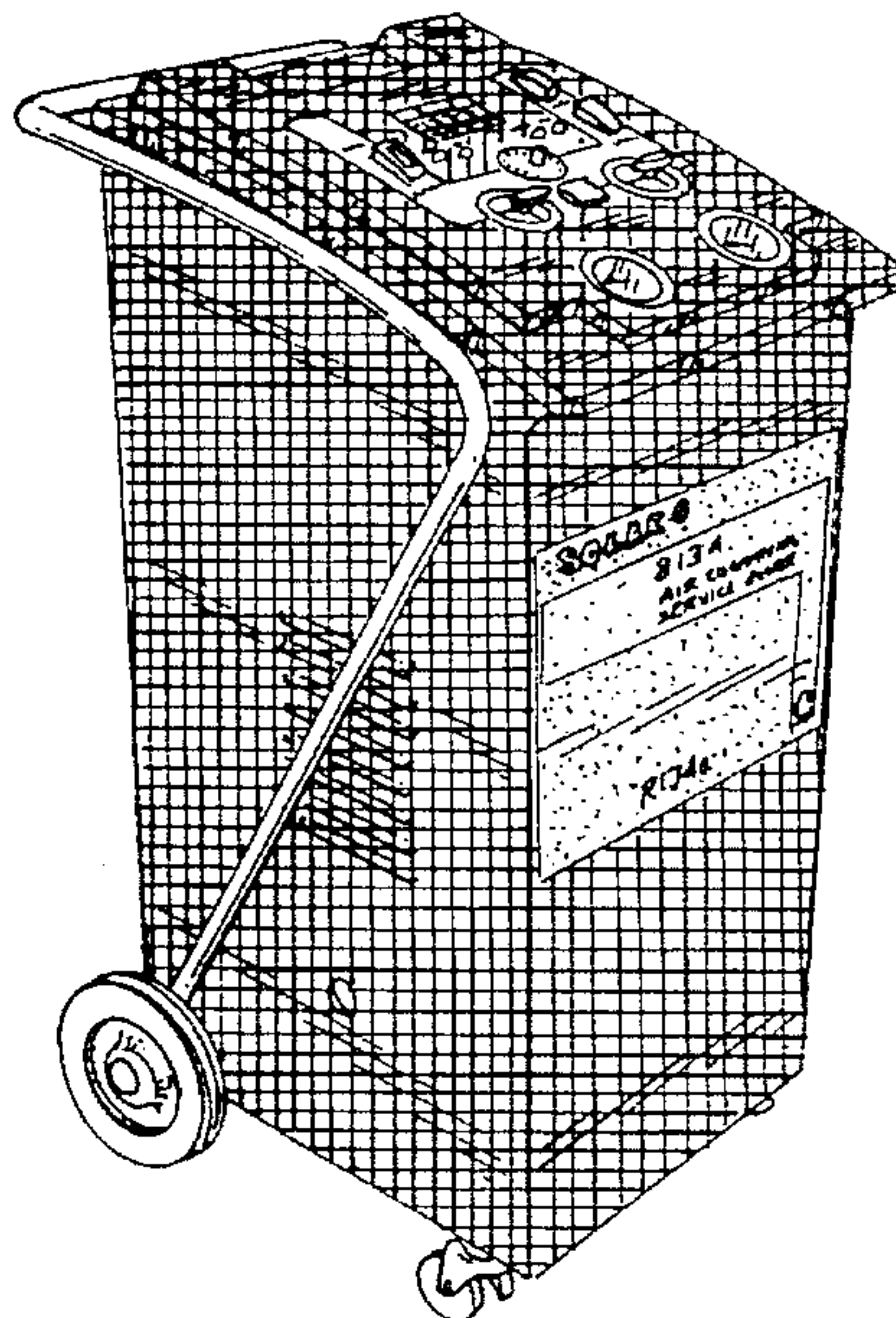


Fig. 1

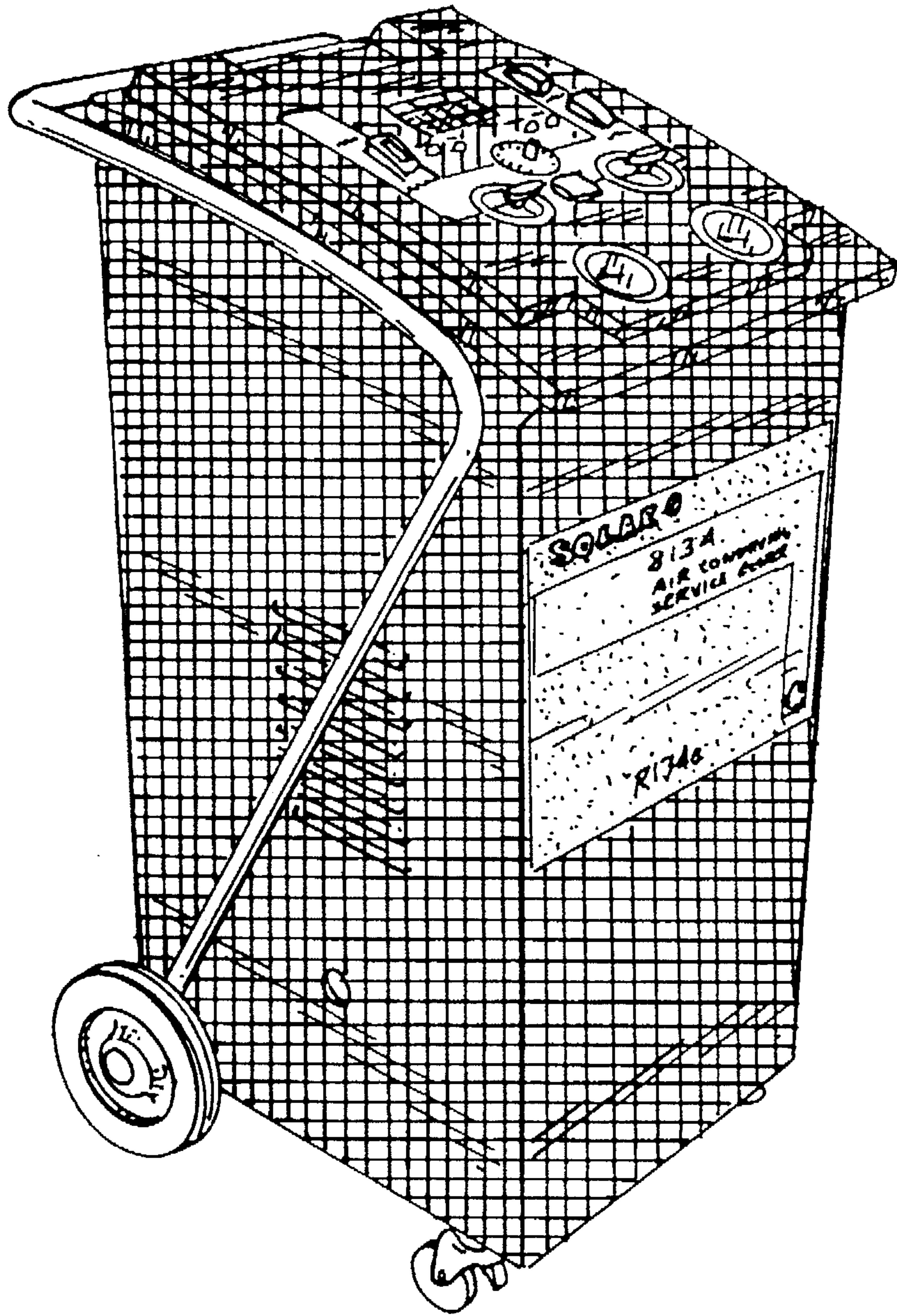


Fig. 3

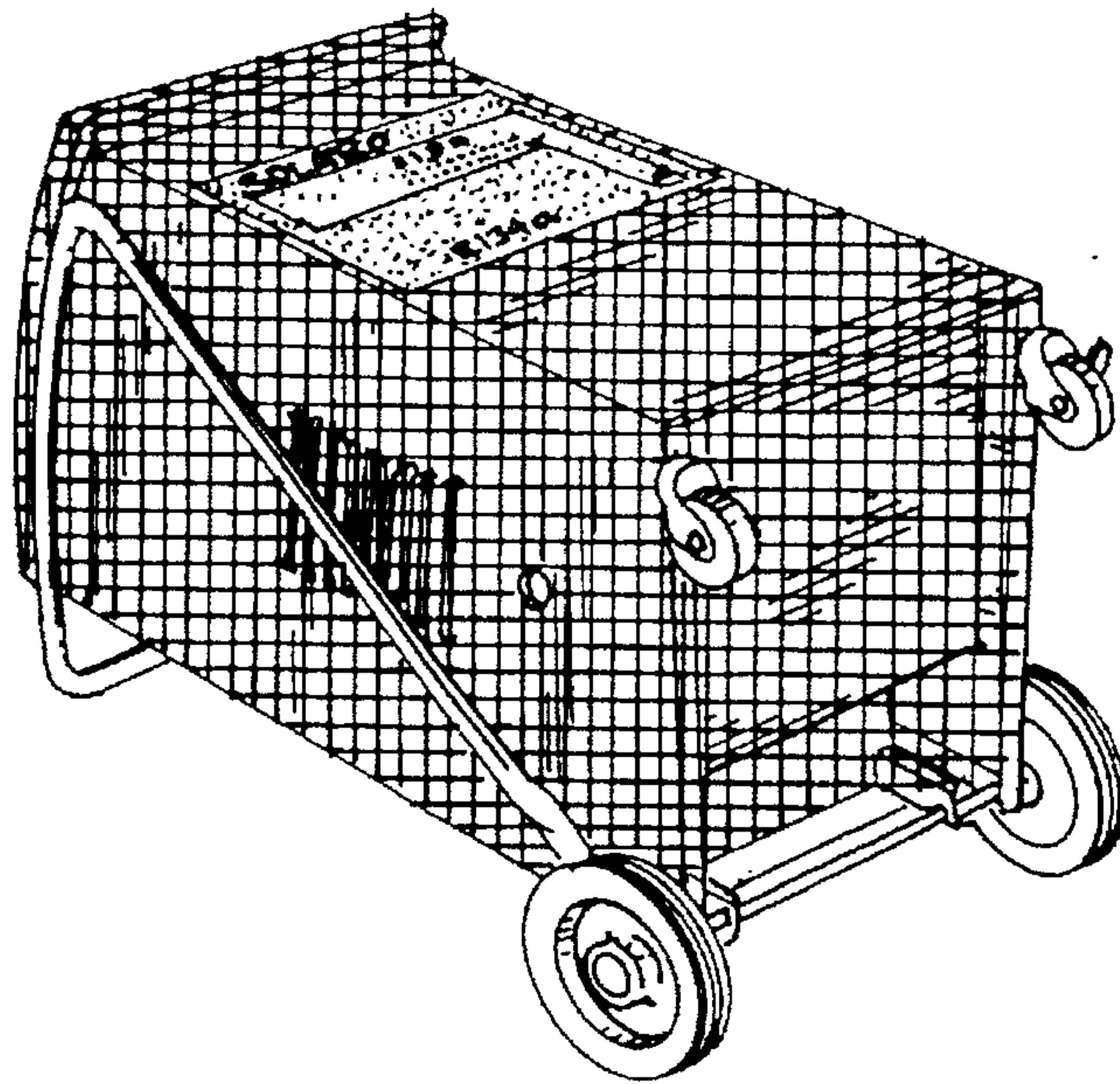


Fig. 2

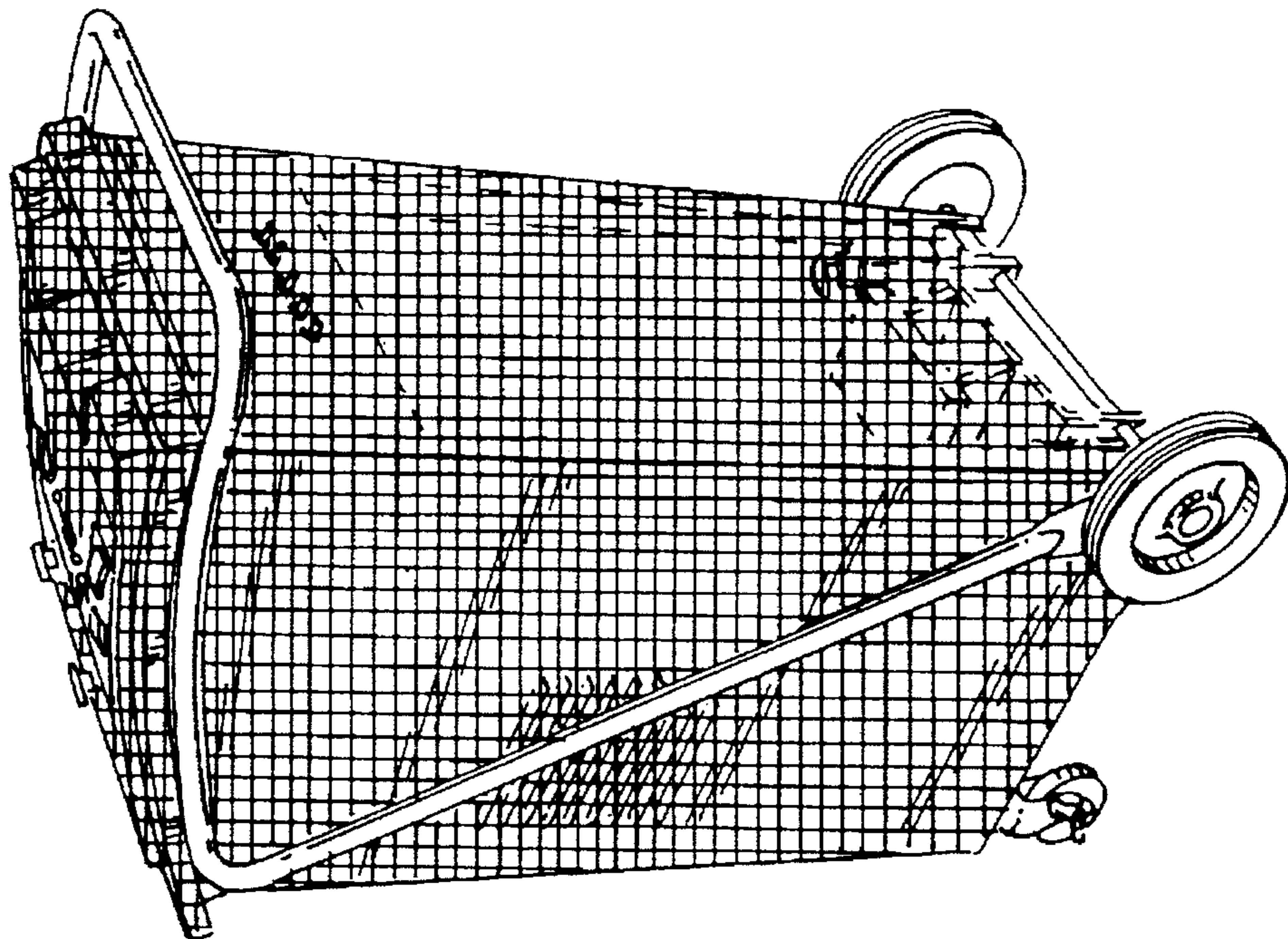


Fig. 5

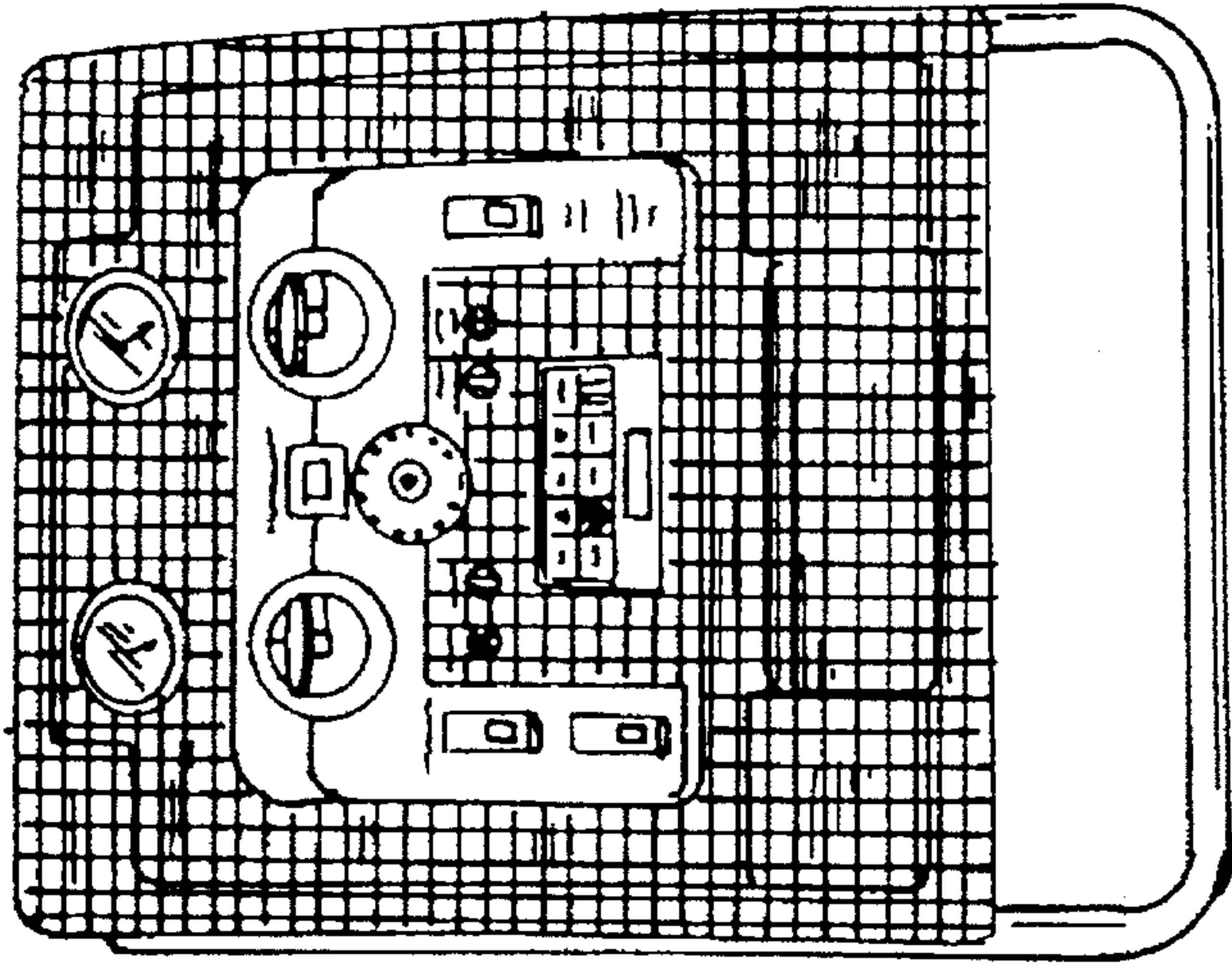


Fig. 4

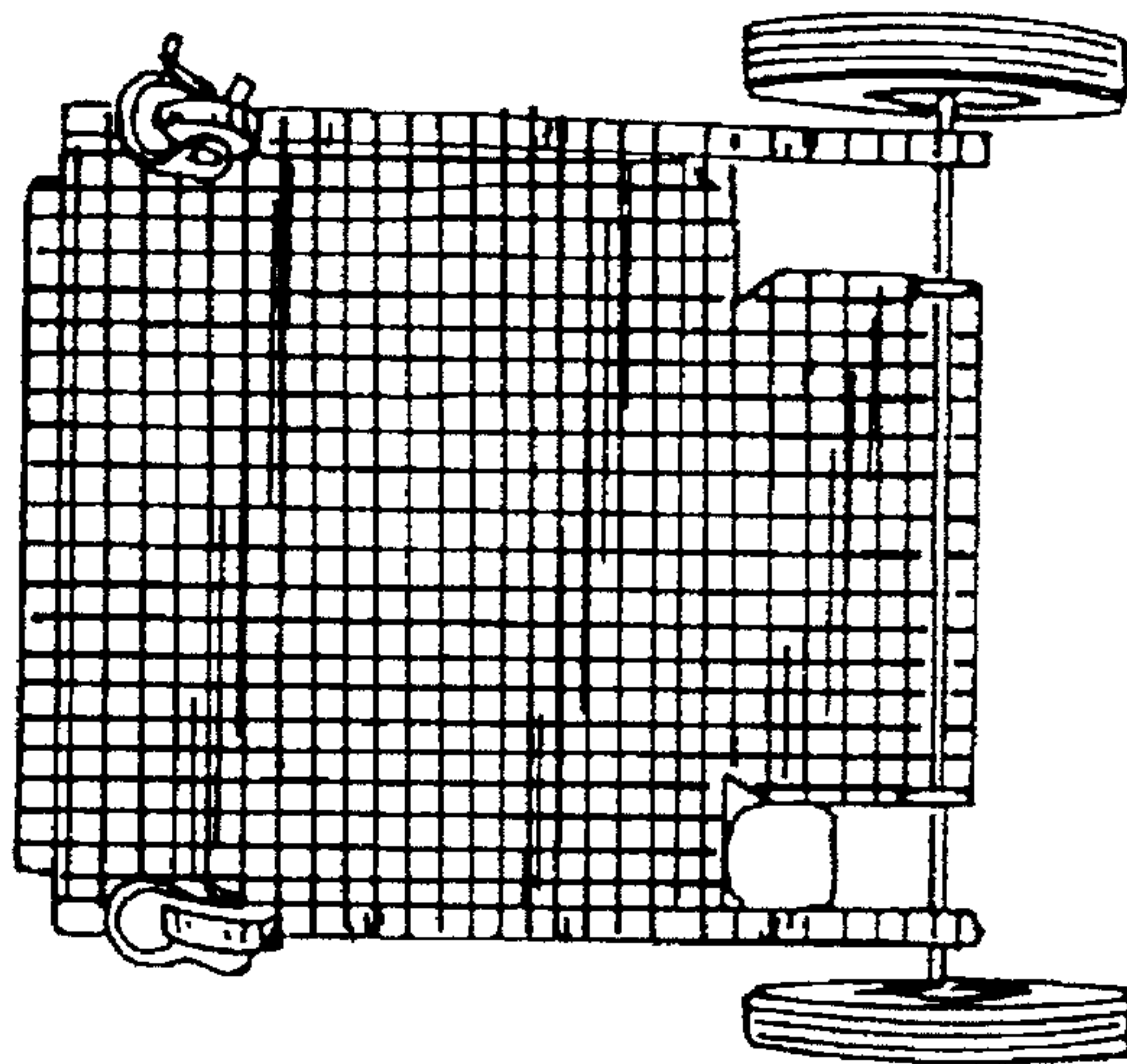


Fig. 7

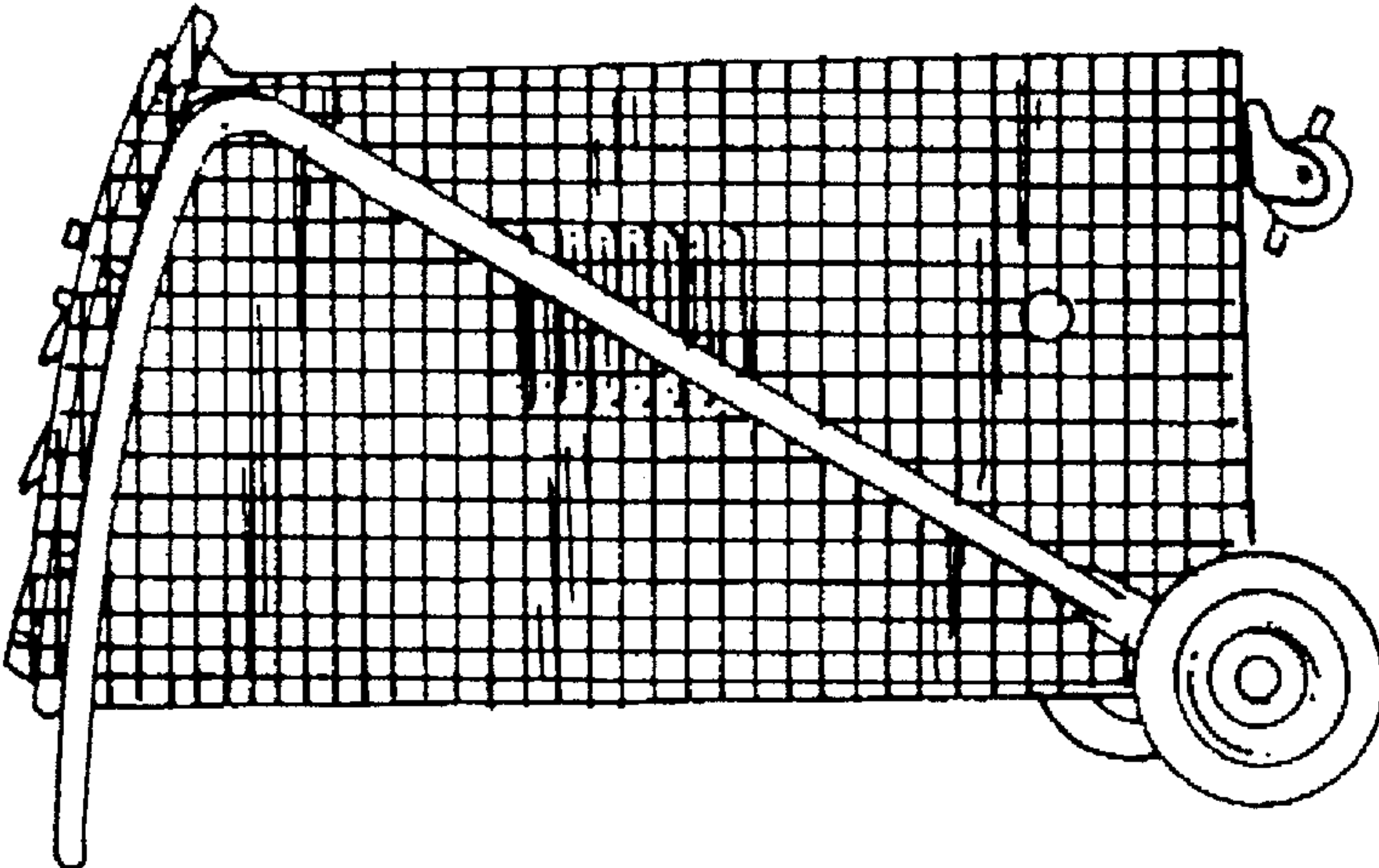


Fig. 6

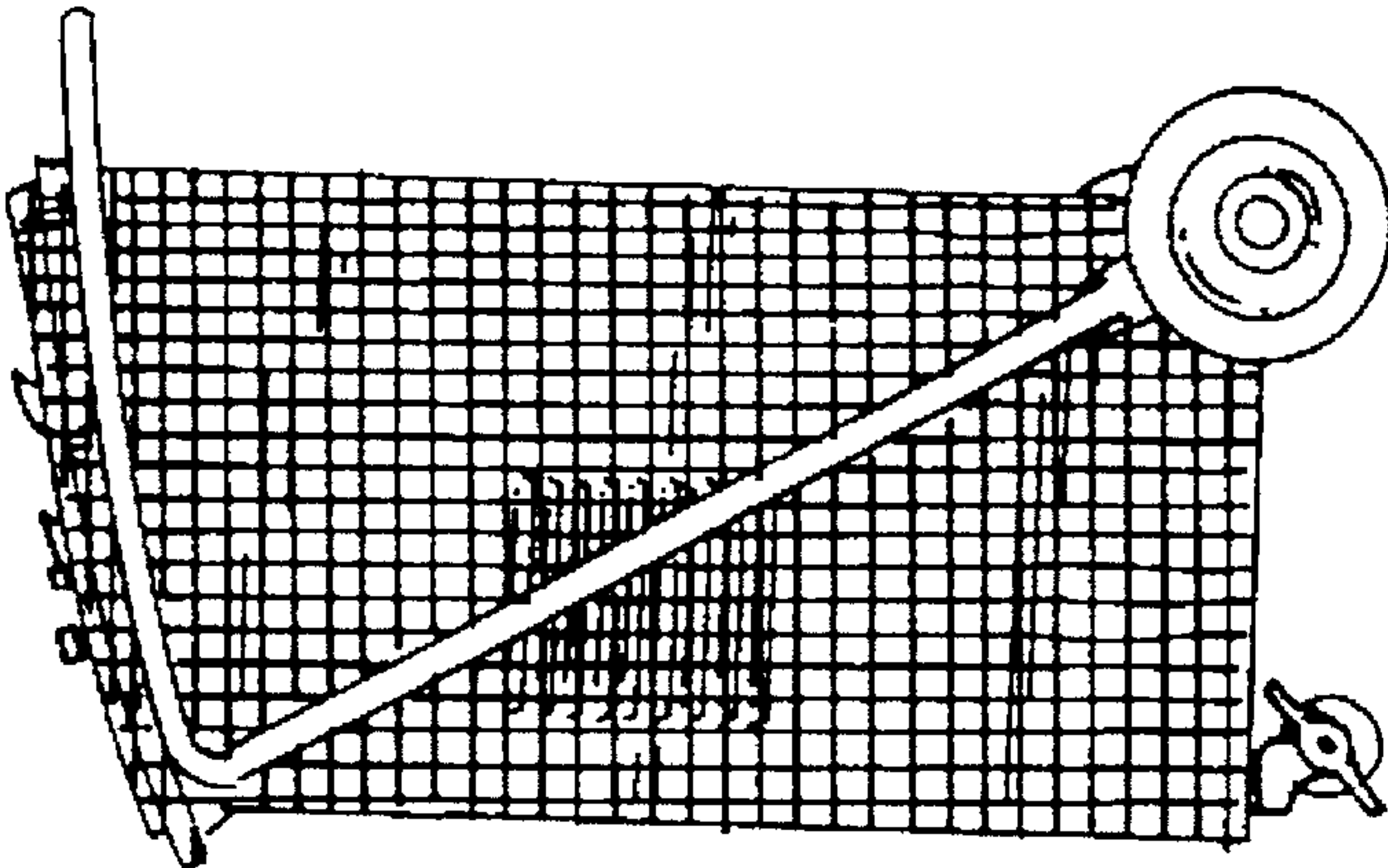


Fig. 8

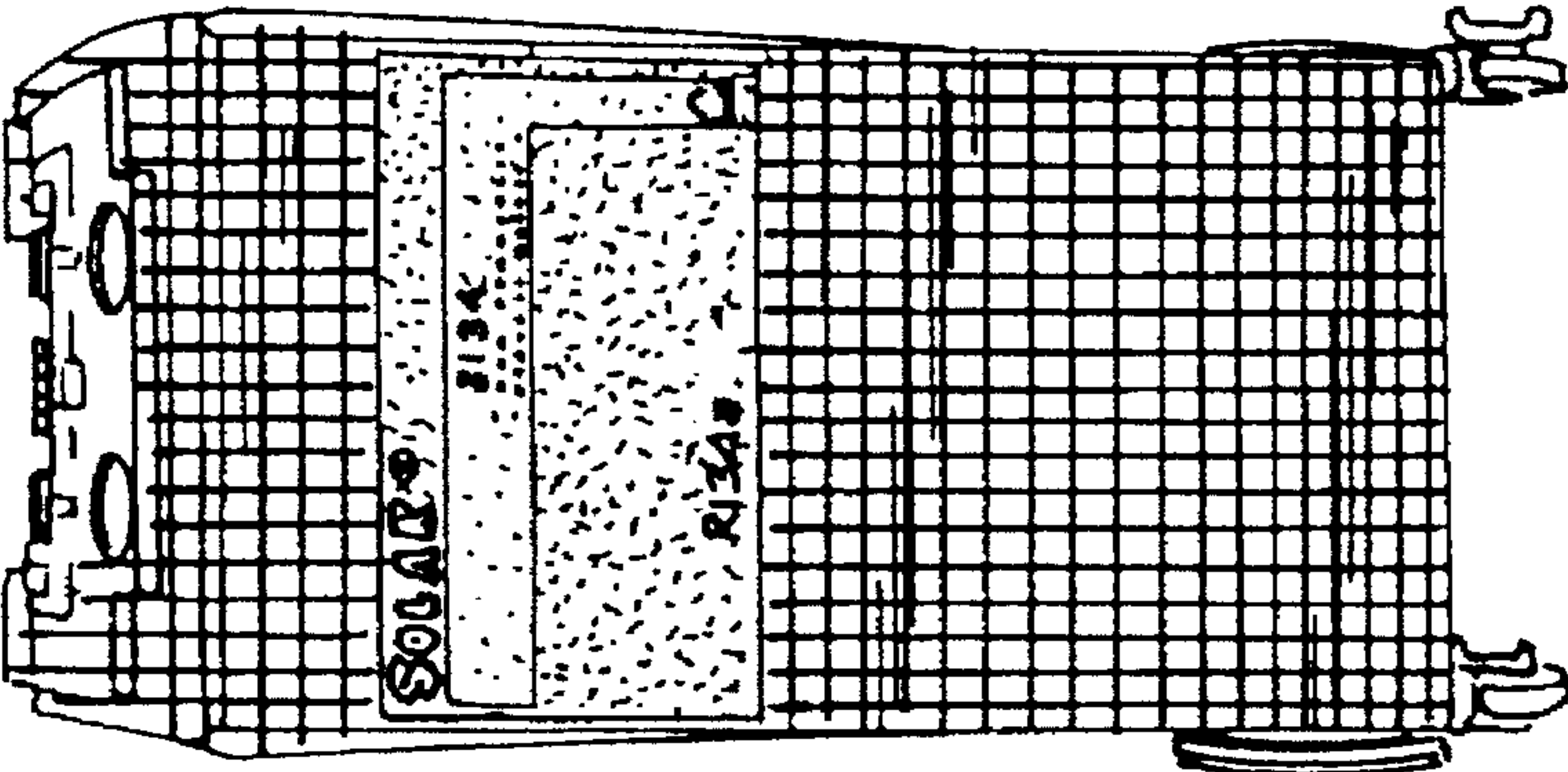


Fig. 9

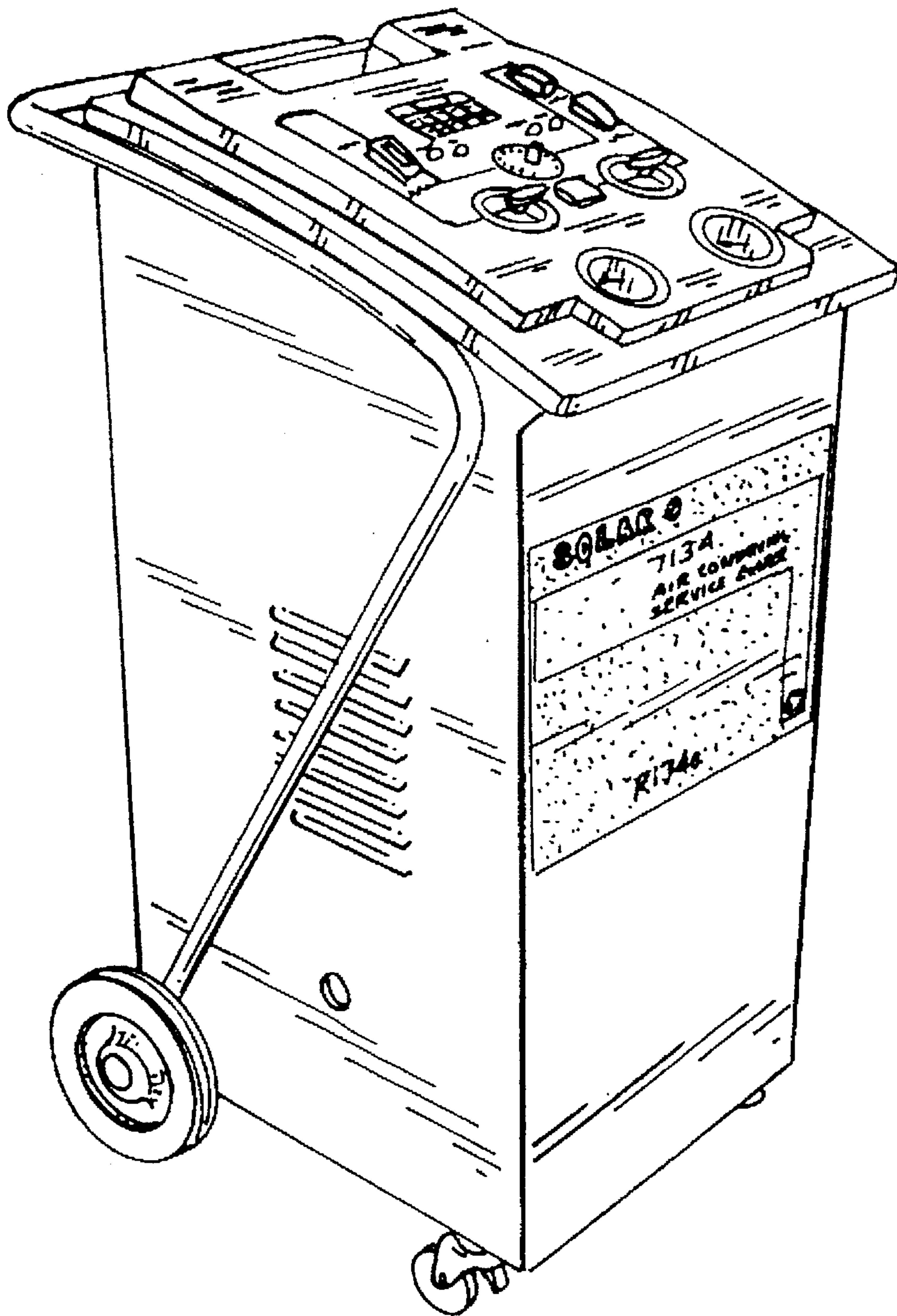


Fig. 11

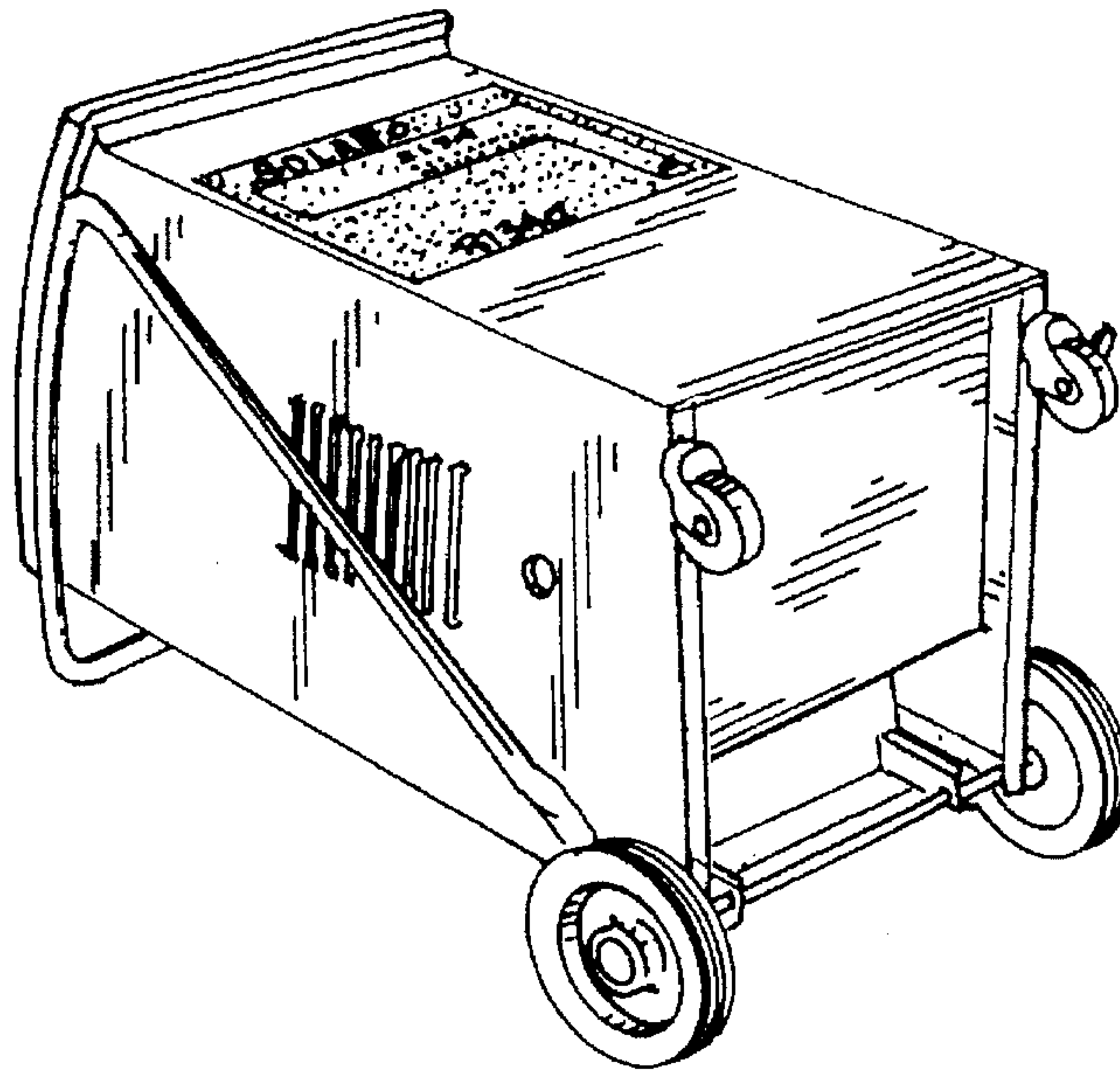


Fig. 10

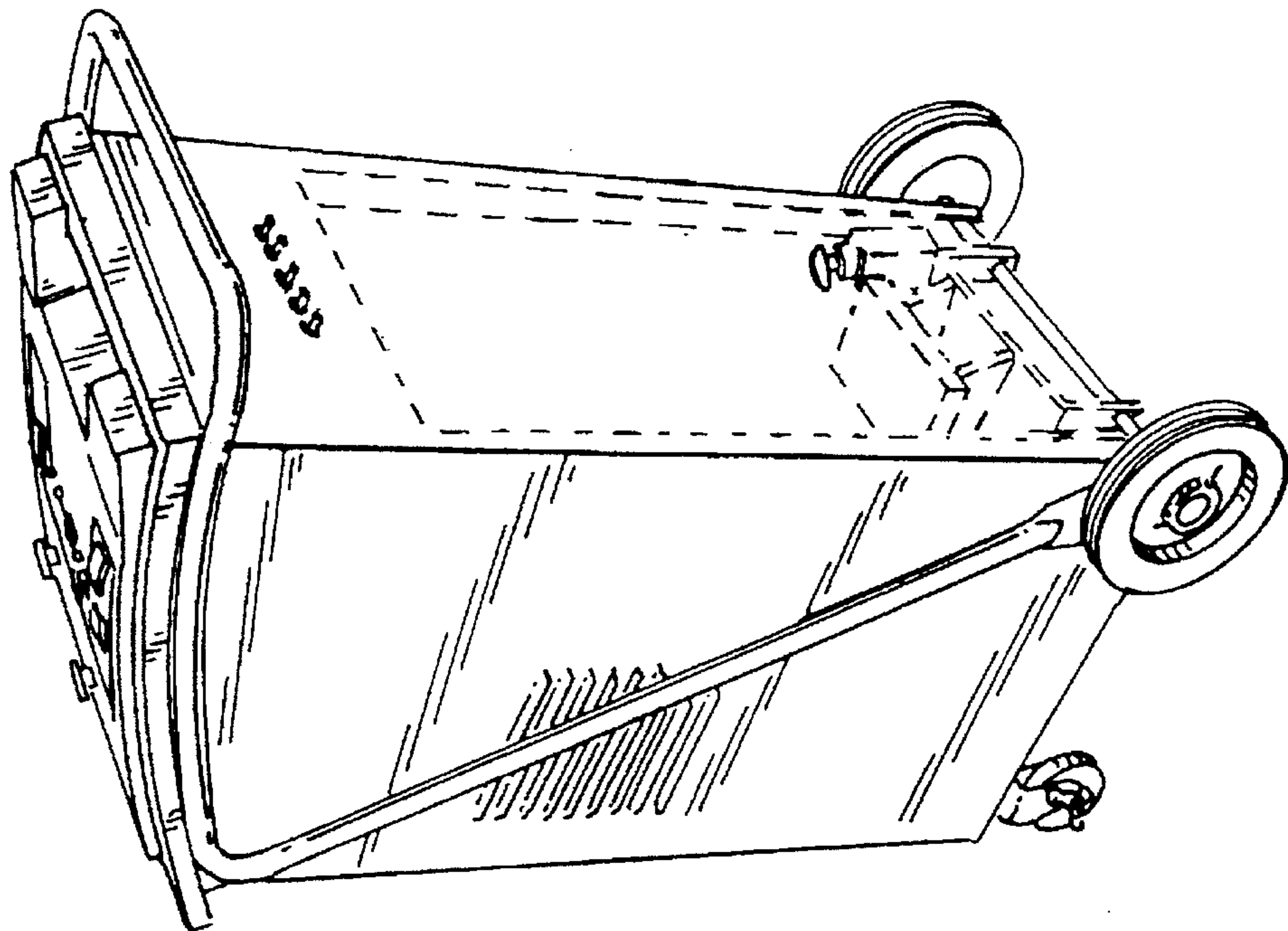


Fig. 13

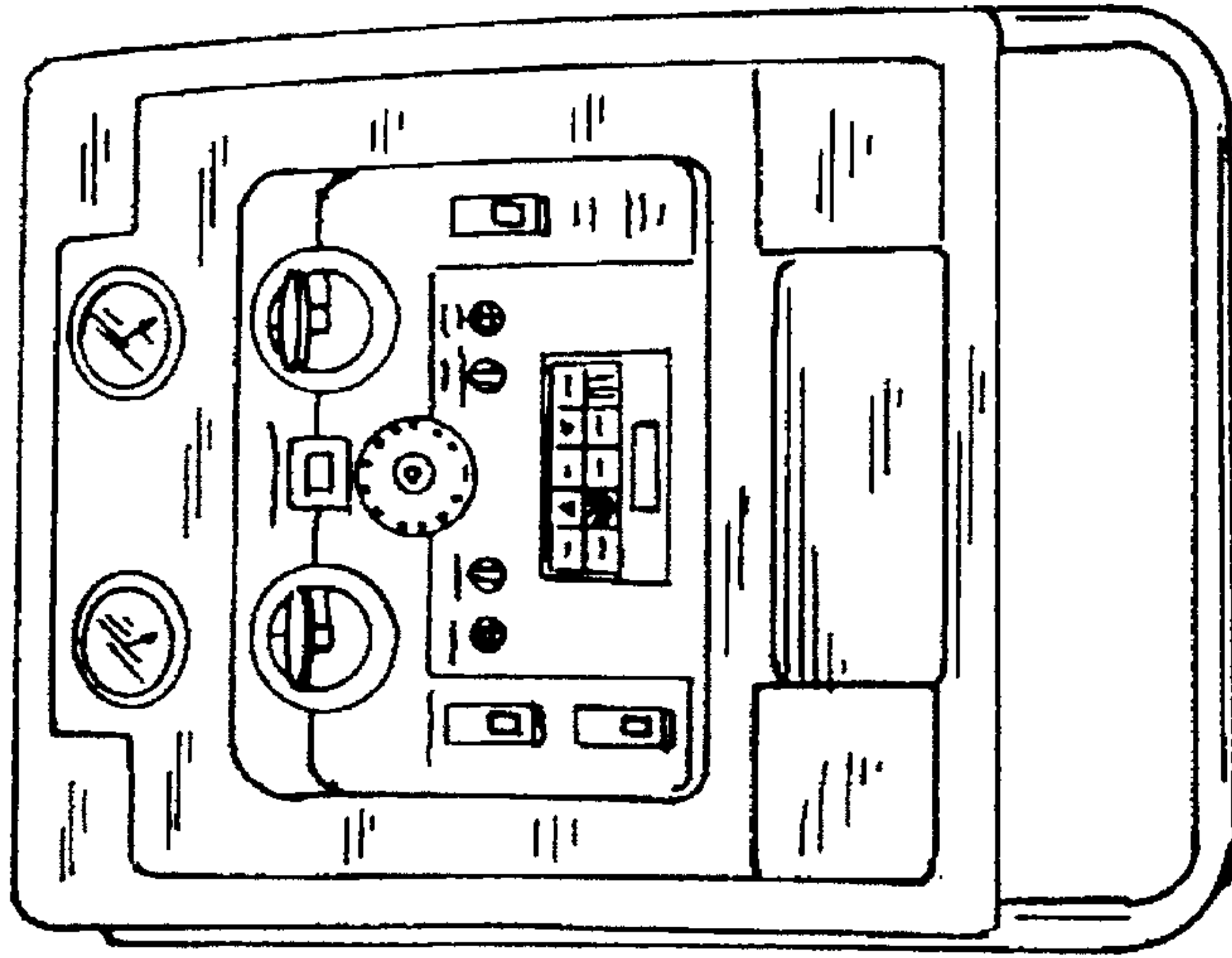


Fig. 12

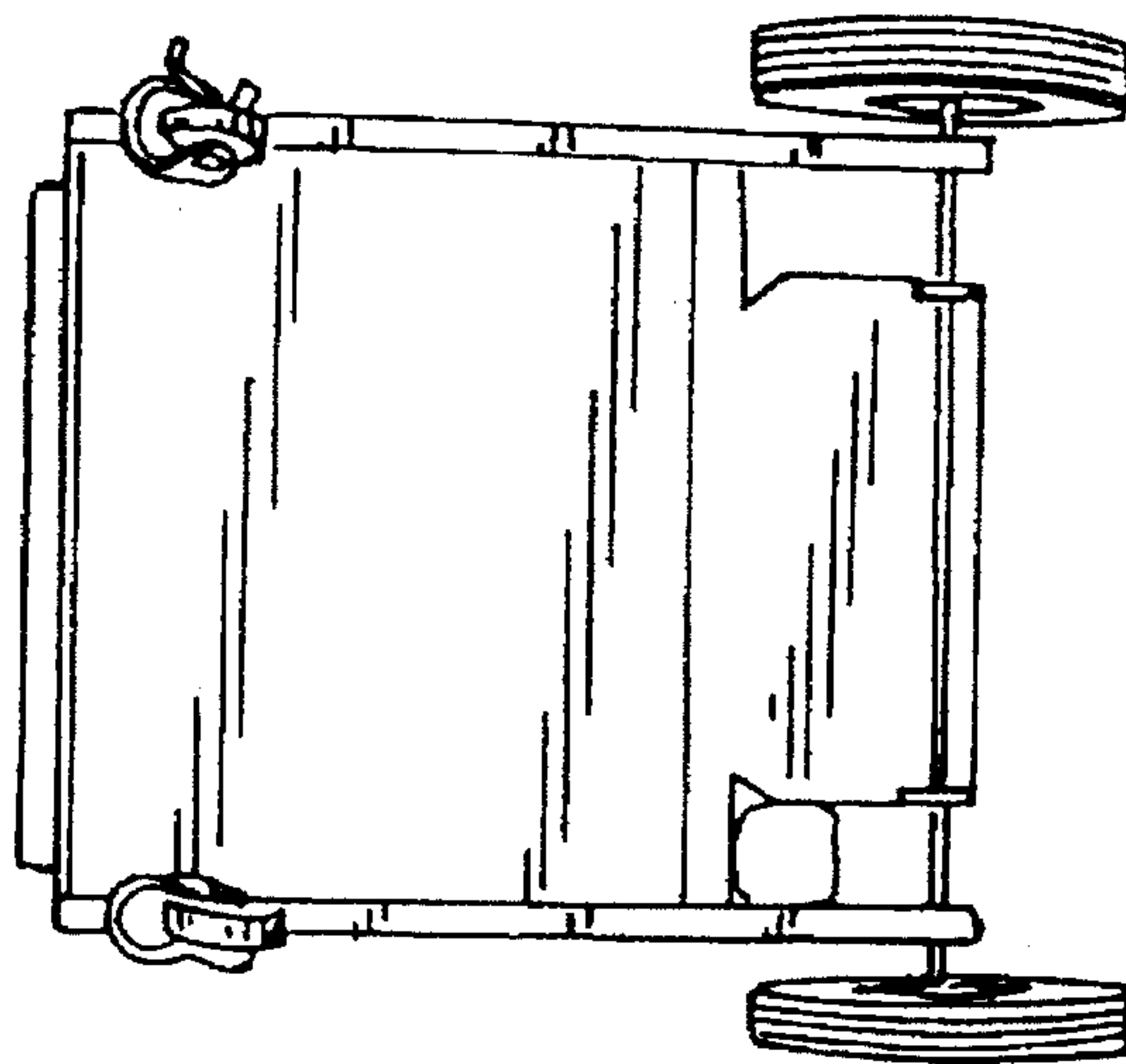


Fig. 15

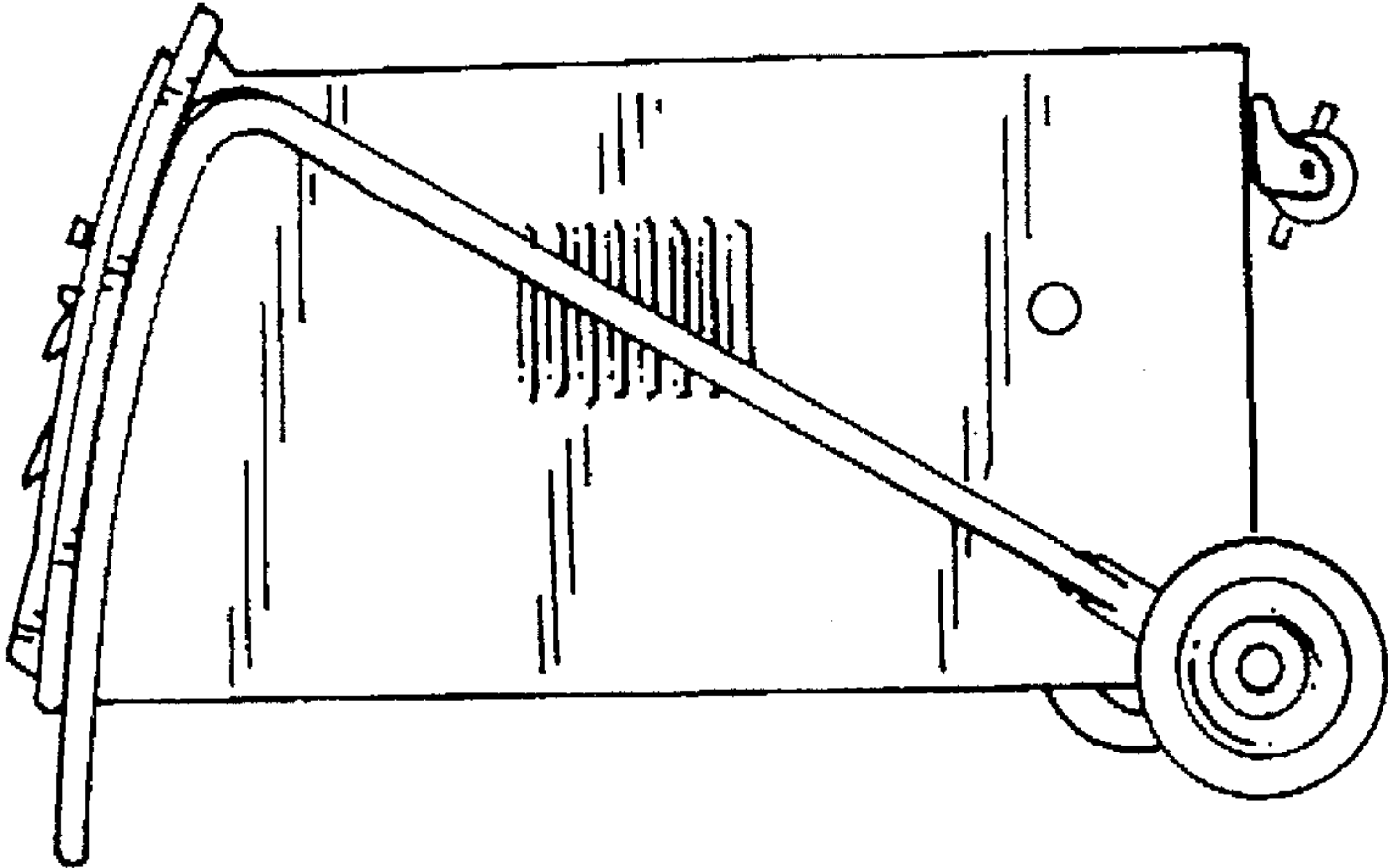


Fig. 14

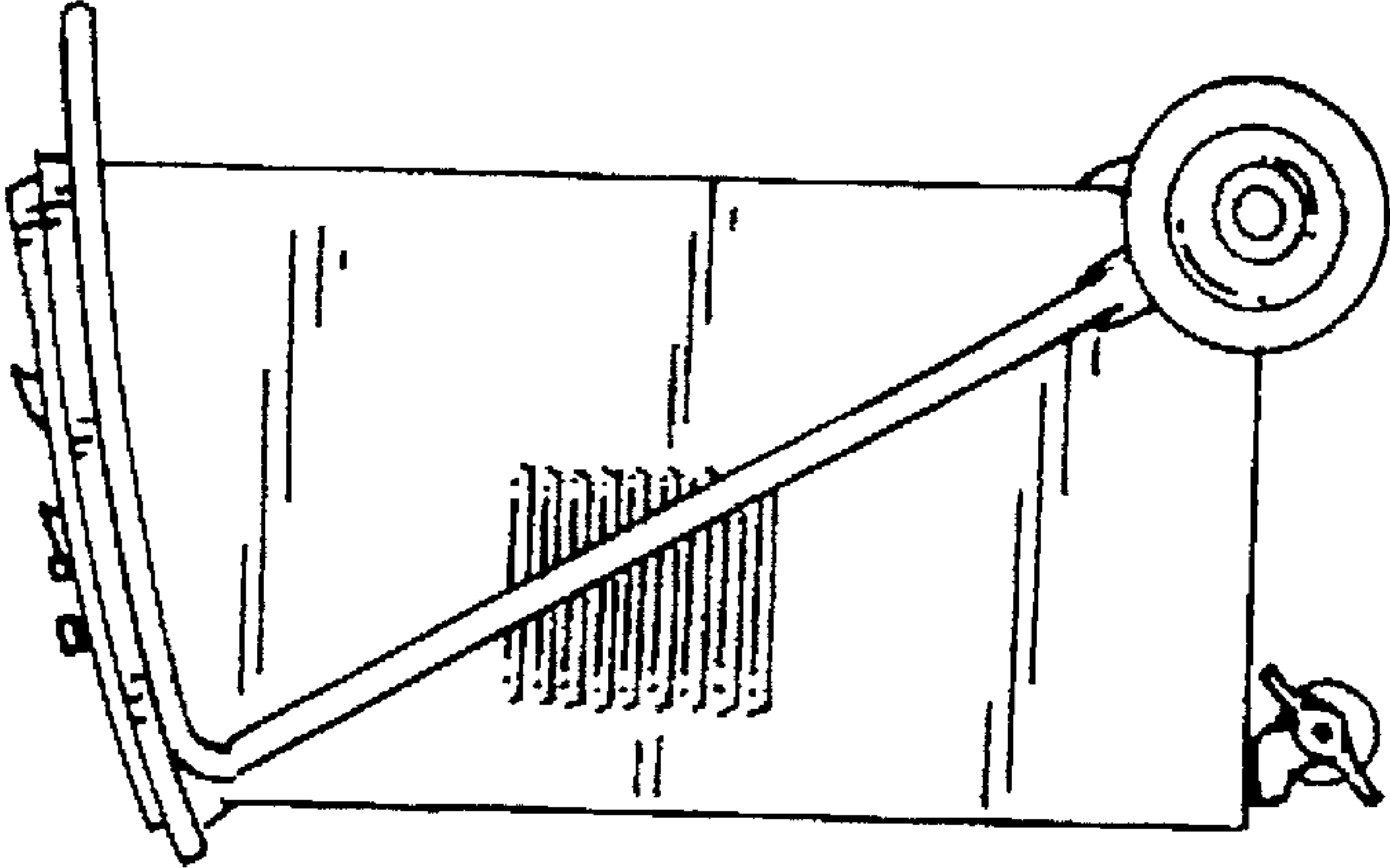


Fig. 16

