



US00D382884S

United States Patent [19]
Redman

[11] **Patent Number: Des. 382,884**

[45] **Date of Patent: **Aug. 26, 1997**

[54] **LAWN MOWER**

[76] **Inventor: William B. Redman, 4566 Ararat St., Boca Raton, Fla. 33428**

[**] **Term: 14 Years**

[21] **Appl. No.: 55,876**

[22] **Filed: Jun. 14, 1996**

[51] **LOC (6) Cl. 15-03**

[52] **U.S. Cl. D15/14; D15/16**

[58] **Field of Search D15/10-17; 56/12.7, 56/15.8, 202, 254, 255, 294, 320.1, 320.2**

[56] **References Cited**

U.S. PATENT DOCUMENTS

- D. 284,766 7/1986 Chai D15/14
- D. 287,131 12/1986 Nakamura D15/16
- D. 365,570 12/1995 Danford D15/10

OTHER PUBLICATIONS

Bally DeLuxe Hand Reel Lawnmower.

Primary Examiner—Sandra L. Morris
Attorney, Agent, or Firm—Harold H. Dutton, Jr.; Diane F. Liebman

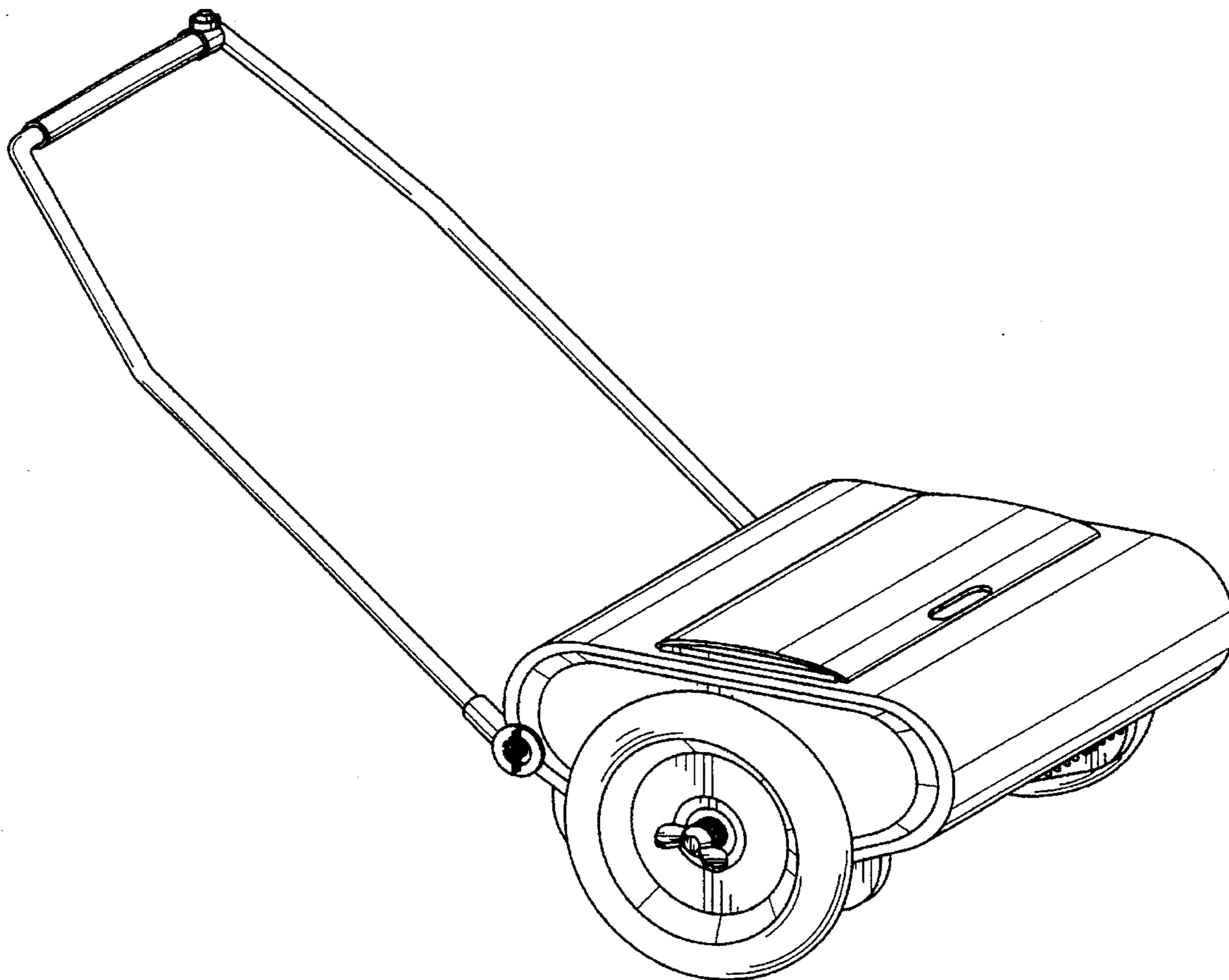
[57] **CLAIM**

The ornamental design for a lawn mower, as shown.

DESCRIPTION

FIG. 1 is a perspective view of a lawn mower showing my new design;
FIG. 2 is a right view thereof;
FIG. 3 is a front view thereof;
FIG. 4 is a rear view thereof;
FIG. 5 is a top view thereof; and,
FIG. 6 is a bottom view thereof.

1 Claim, 6 Drawing Sheets



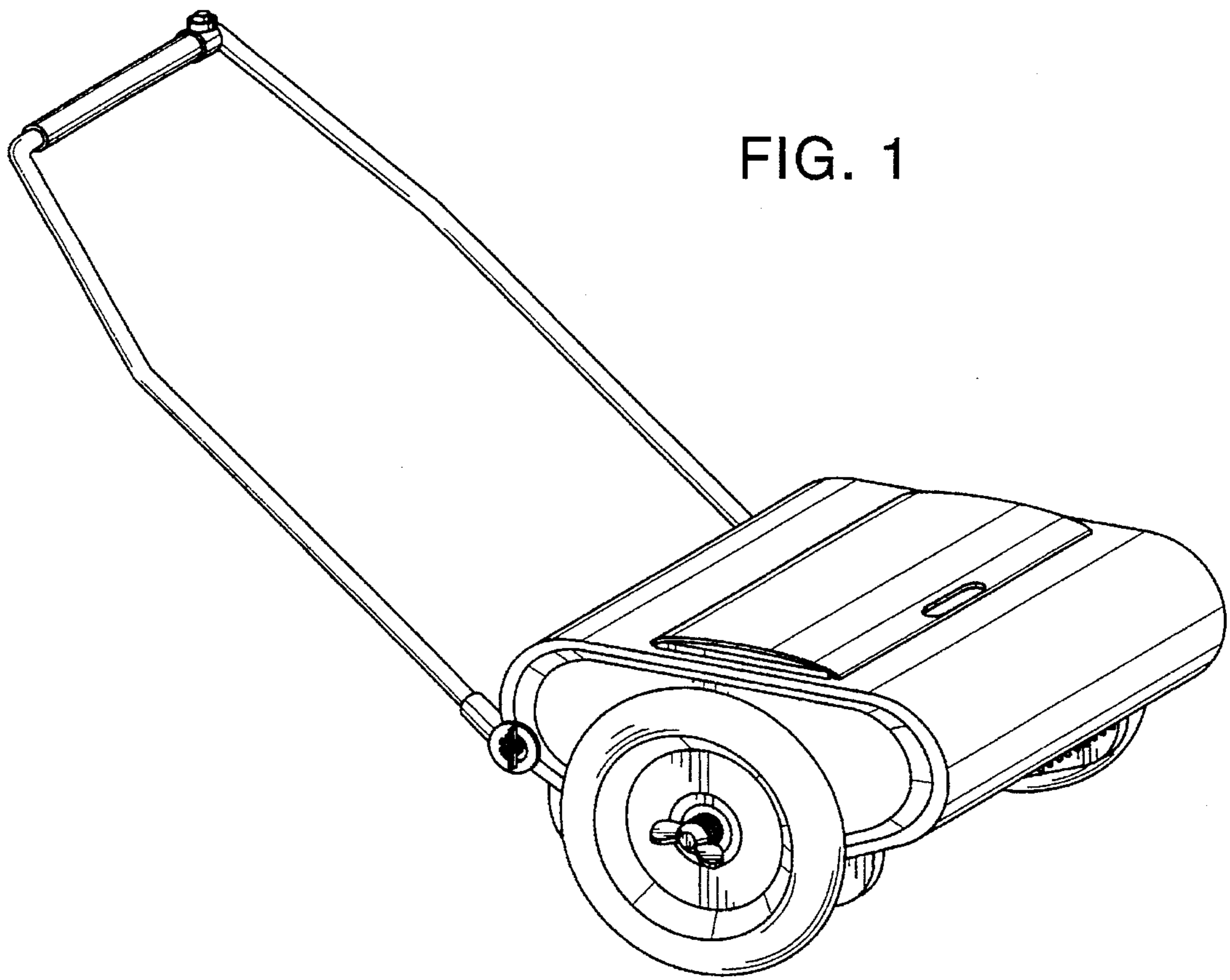


FIG. 1

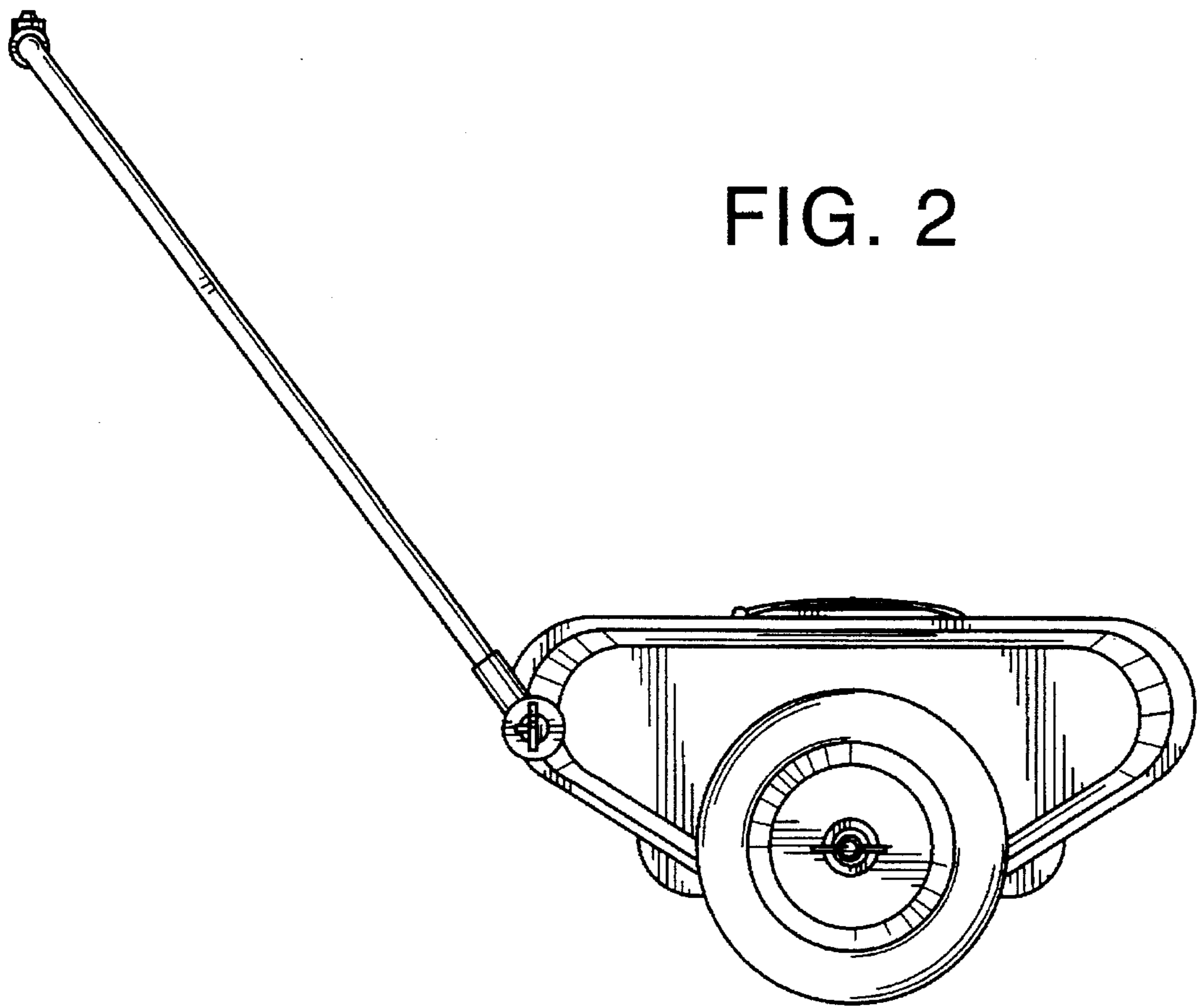


FIG. 2

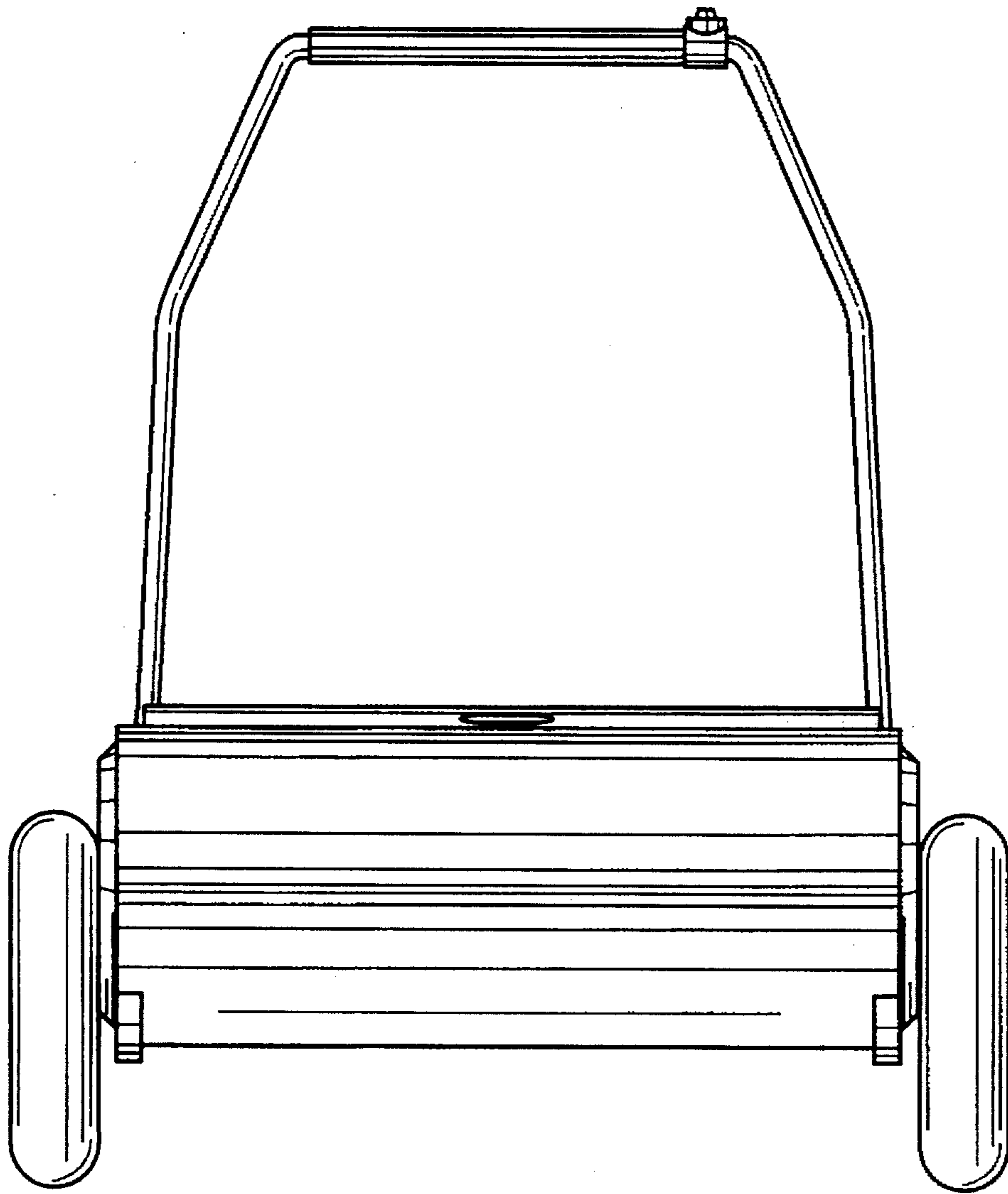


FIG. 3

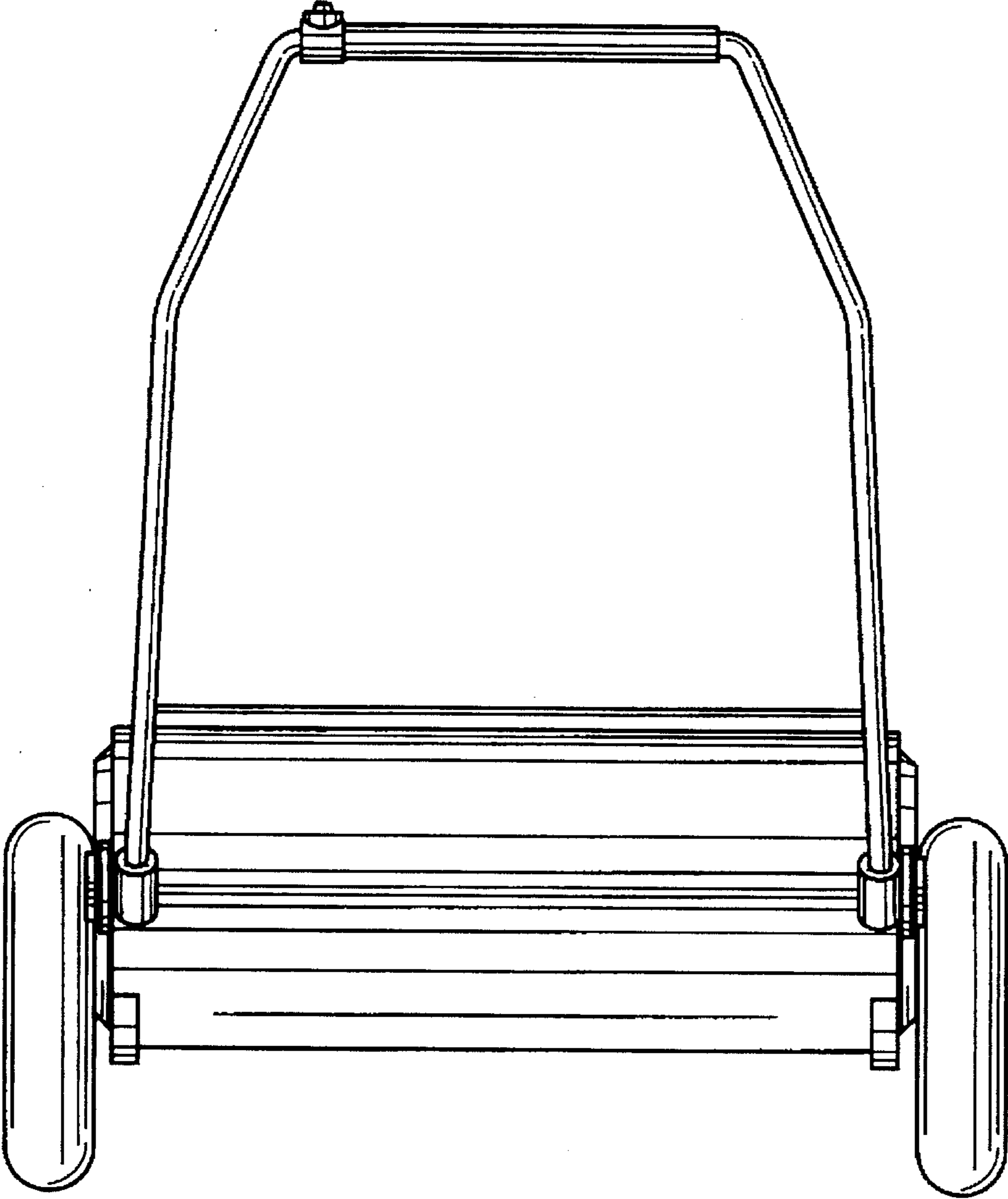


FIG. 4

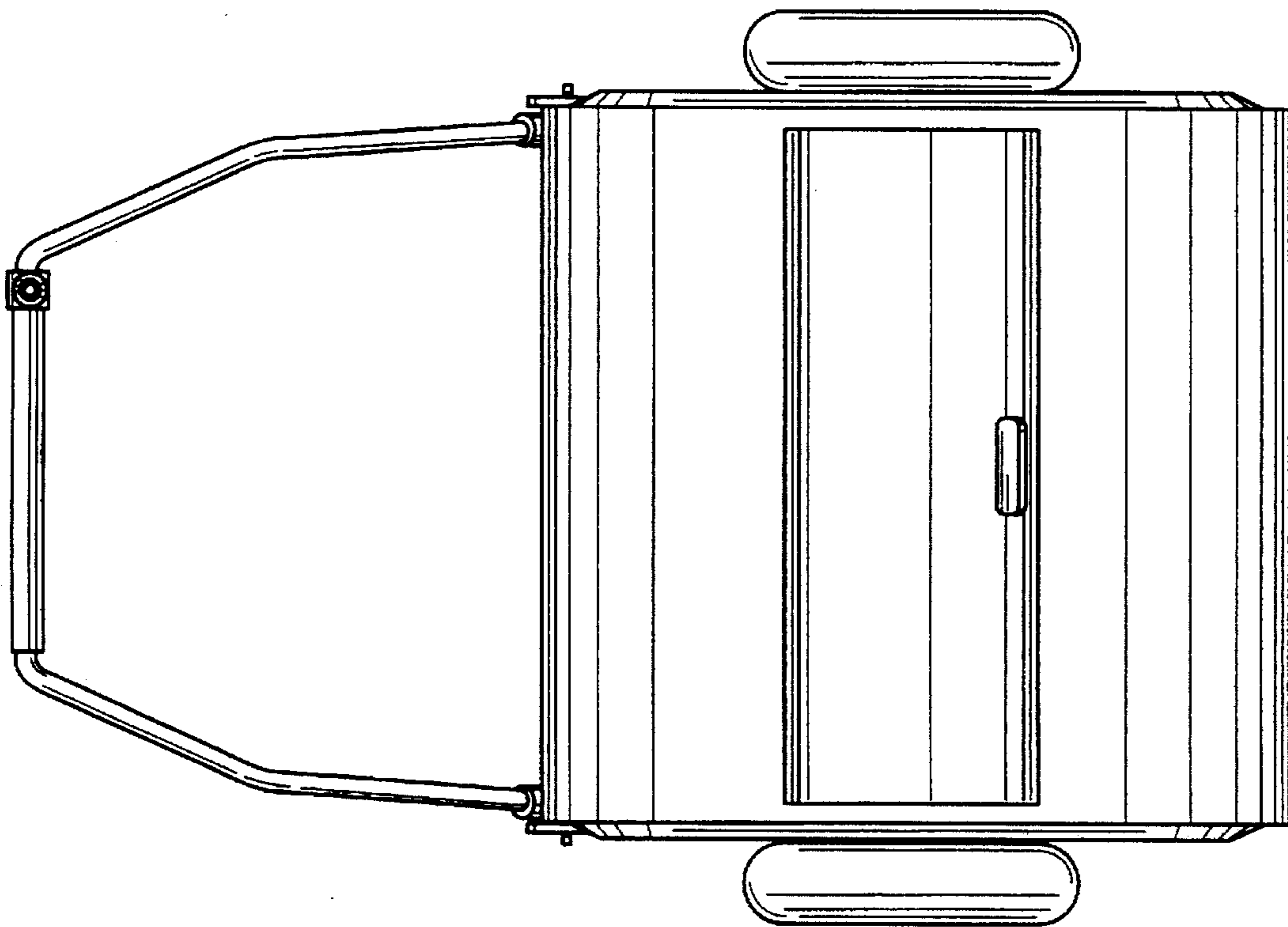


FIG. 5

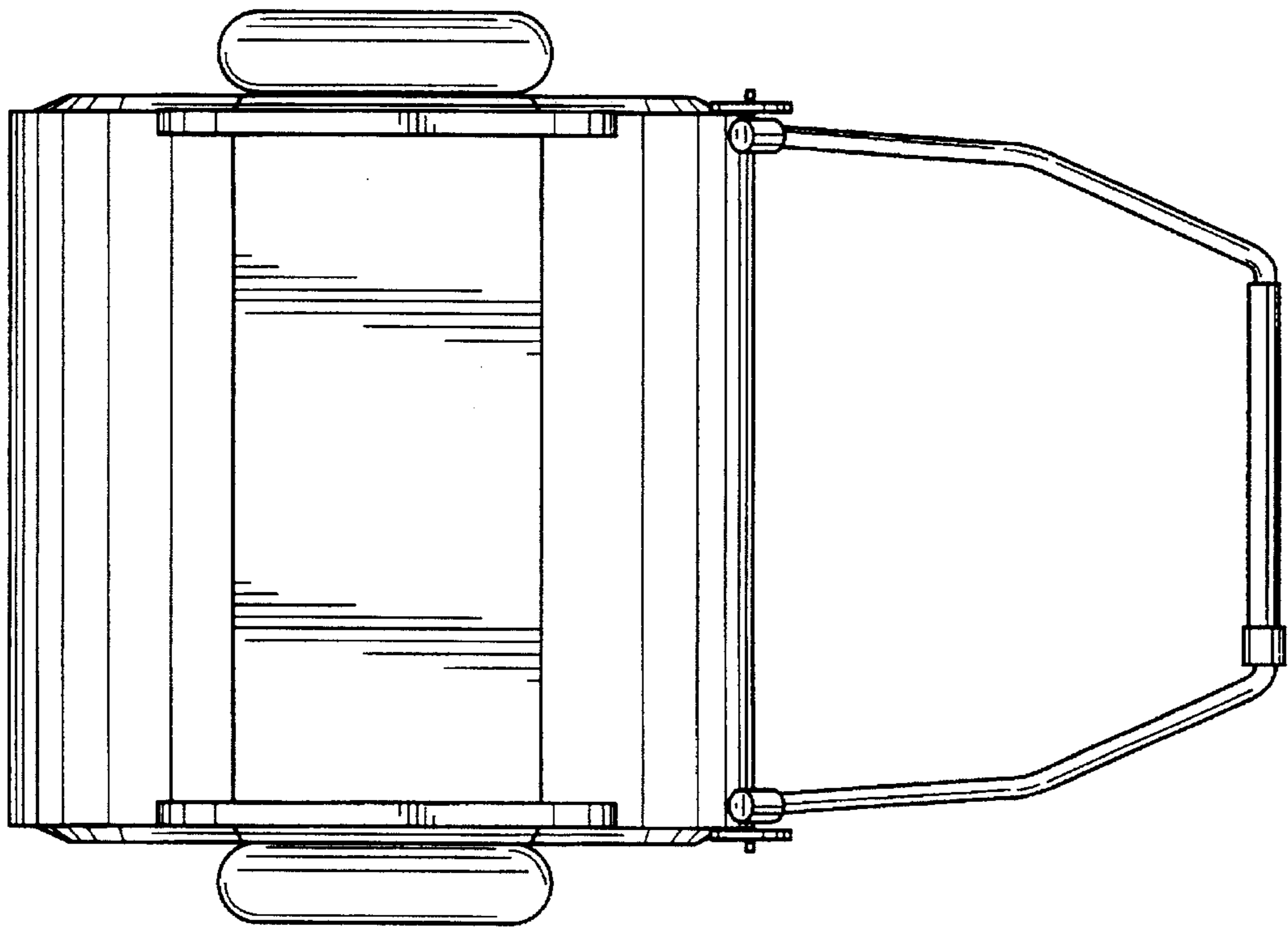


FIG. 6