



US00D382883S

United States Patent [19]

[11] Patent Number: **Des. 382,883**

Breizman et al.

[45] Date of Patent: *****Aug. 26, 1997**

[54] **AIR COMPRESSOR**

[75] Inventors: **Jeffrey D. Breizman**, Sheboygan Falls; **Ross Christiansen**, Kiel; **Raymond J. Kultgen**, Glenbeulah, all of Wis.

[73] Assignee: **Thomas Industries Inc.**, Sheboygan, Wis.

[*] Notice: The portion of the term of this patent subsequent to Jun. 17, 2011, has been disclaimed.

[**] Term: **14 Years**

[21] Appl. No.: **52,632**

[22] Filed: **Apr. 4, 1996**

[51] LOC (6) Cl. **15-02**

[52] U.S. Cl. **D15/9**

[58] Field of Search D15/5-9.2; 417/403, 417/404, 229, 234, 321, 410-411; D24/8

[56] **References Cited**

U.S. PATENT DOCUMENTS

- D. 328,465 8/1992 Schwartz et al. D15/9
- D. 370,225 5/1996 Wada et al. D15/9

OTHER PUBLICATIONS

Thomas Industries Inc., product brochure dated Apr. 1994 showing the 2619/2621 series compressors/vacuum pumps.
Thomas Industries Inc. product brochure dated Jun., 1994 showing the 2600 series compressor/pumps.

Thomas Industries Inc. product brochure dated Jun. 1994 showing the 2807 series compressors/pumps.

Thomas Industries Inc. product brochure dated Jul., 1995 showing the 2750 series compressor/vacuum pumps.

Primary Examiner—Ralf Seifert
Attorney, Agent, or Firm—Quarles & Brady

[57] **CLAIM**

The ornamental design for an air compressor, as shown and described.

DESCRIPTION

FIG. 1 is a top, front and left side perspective view of an air compressor showing our new design;

FIG. 2 is a front elevational view thereof;

FIG. 3 is a rear elevational view thereof;

FIG. 4 is a top plan view thereof;

FIG. 5 is a bottom plan view thereof;

FIG. 6 is a left side elevational view thereof;

FIG. 7 is a right side elevational view thereof;

FIG. 8 is a top, front and left side perspective view of an air compressor showing a second embodiment of our new design;

FIG. 9 is a front elevational view thereof, the rear being the mirror image of the front;

FIG. 10 is a top plan view thereof;

FIG. 11 is a bottom plan view thereof; and,

FIG. 12 is a left side elevational view thereof, the right side being the same as the left.

The broken line showing of apertures in FIGS. 8-11 and of a fan in FIGS. 8 and 12 is for illustrative purposes only and forms no part of the claimed design.

1 Claim, 12 Drawing Sheets

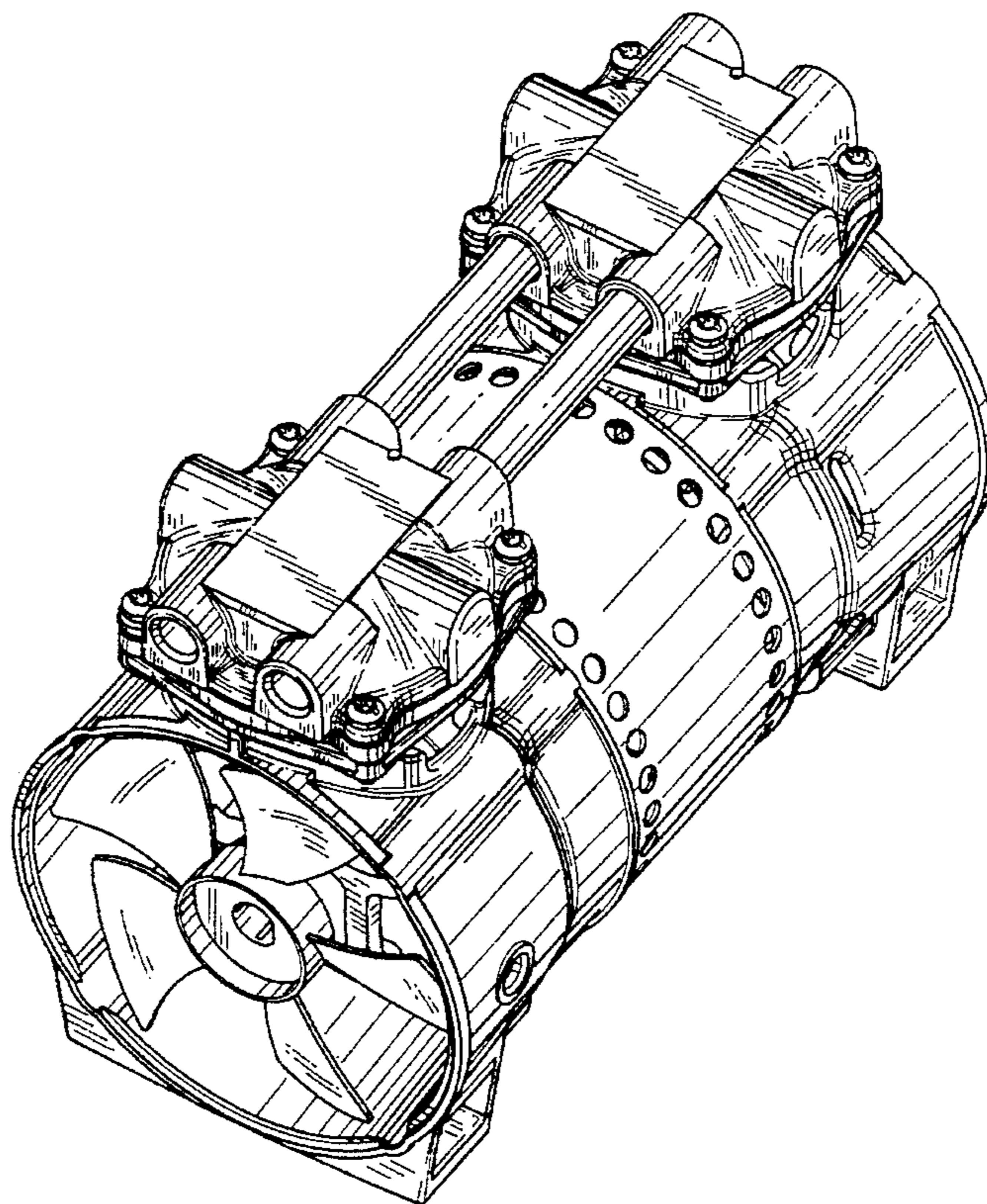
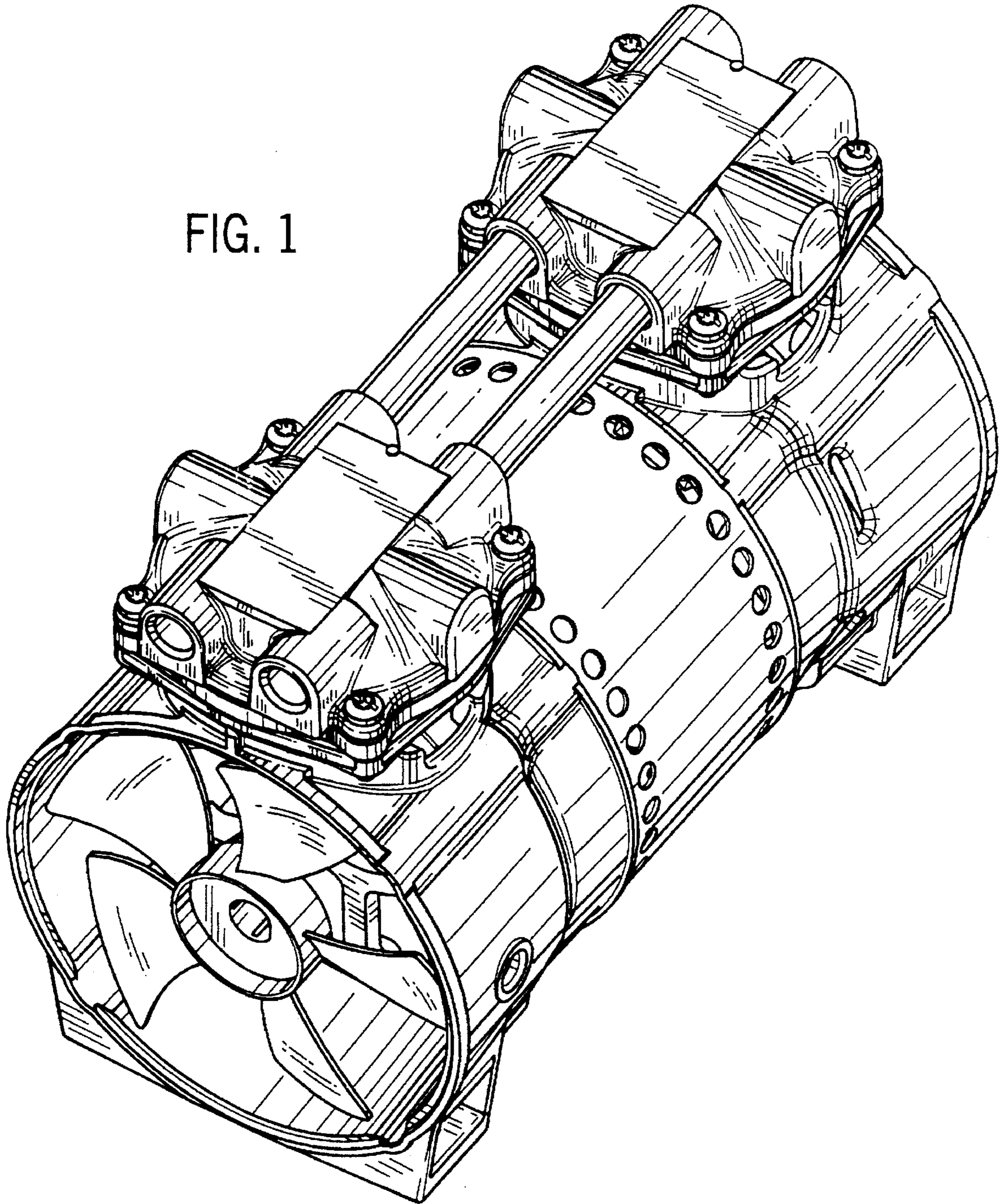


FIG. 1



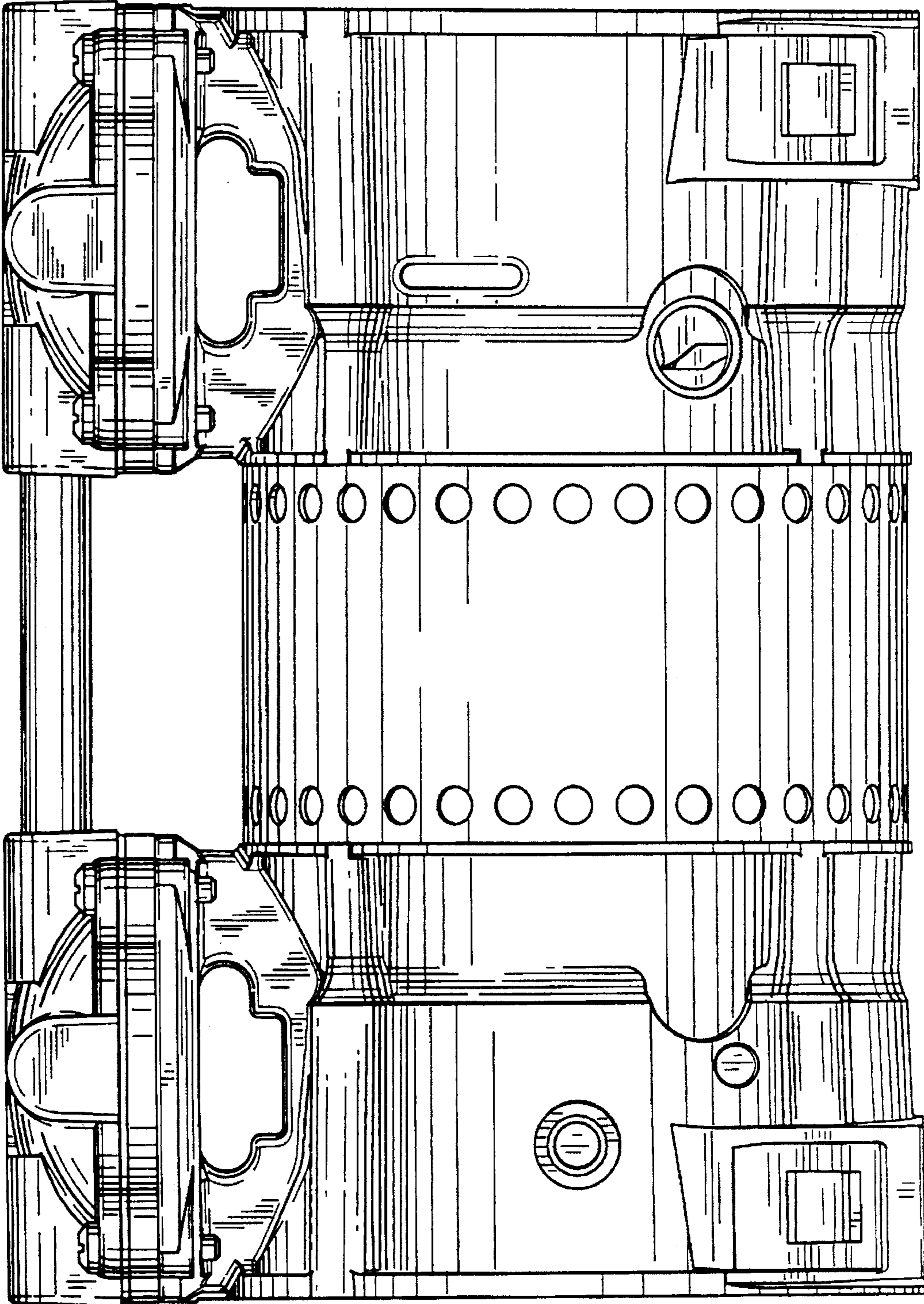


FIG. 2

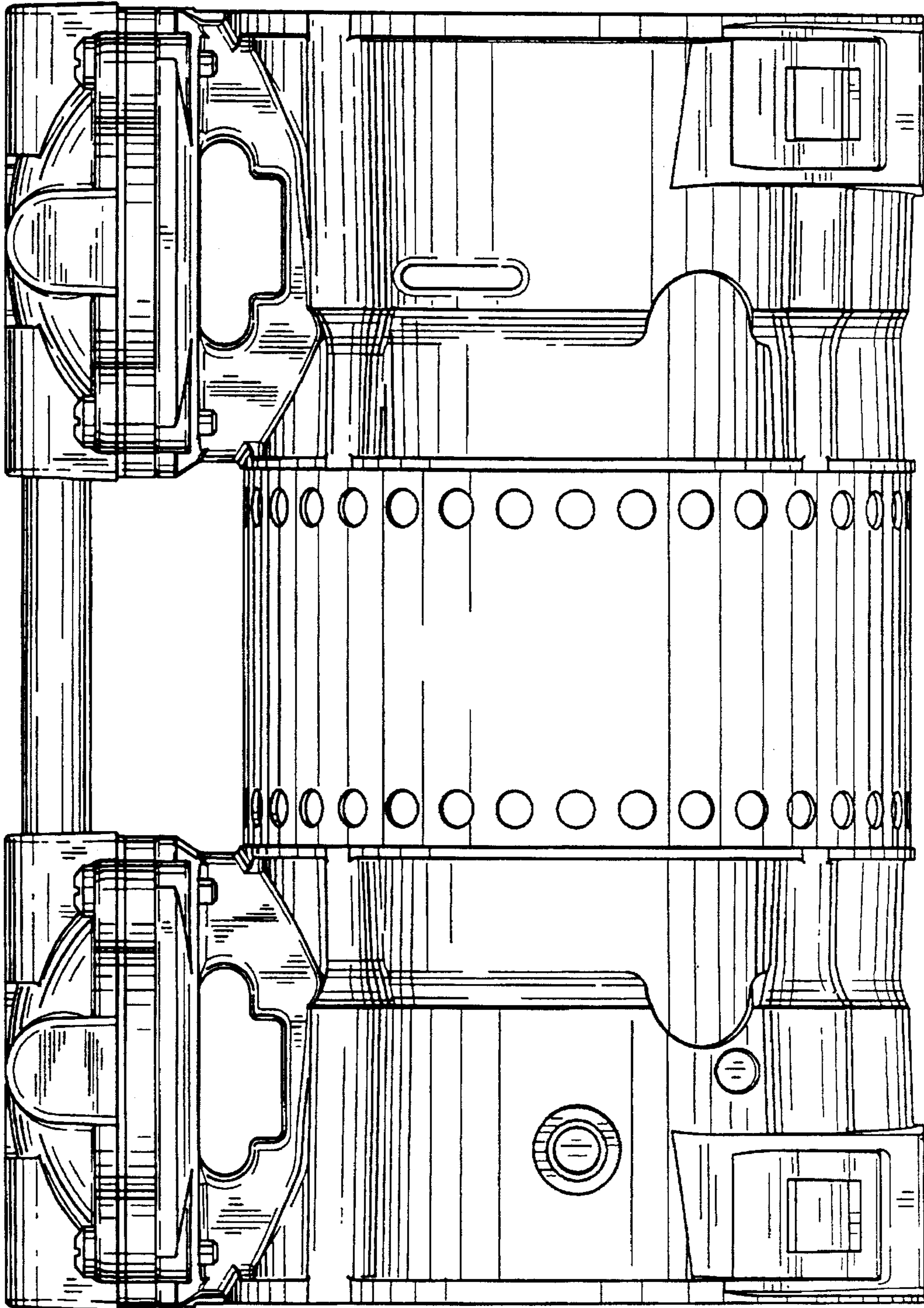


FIG. 3

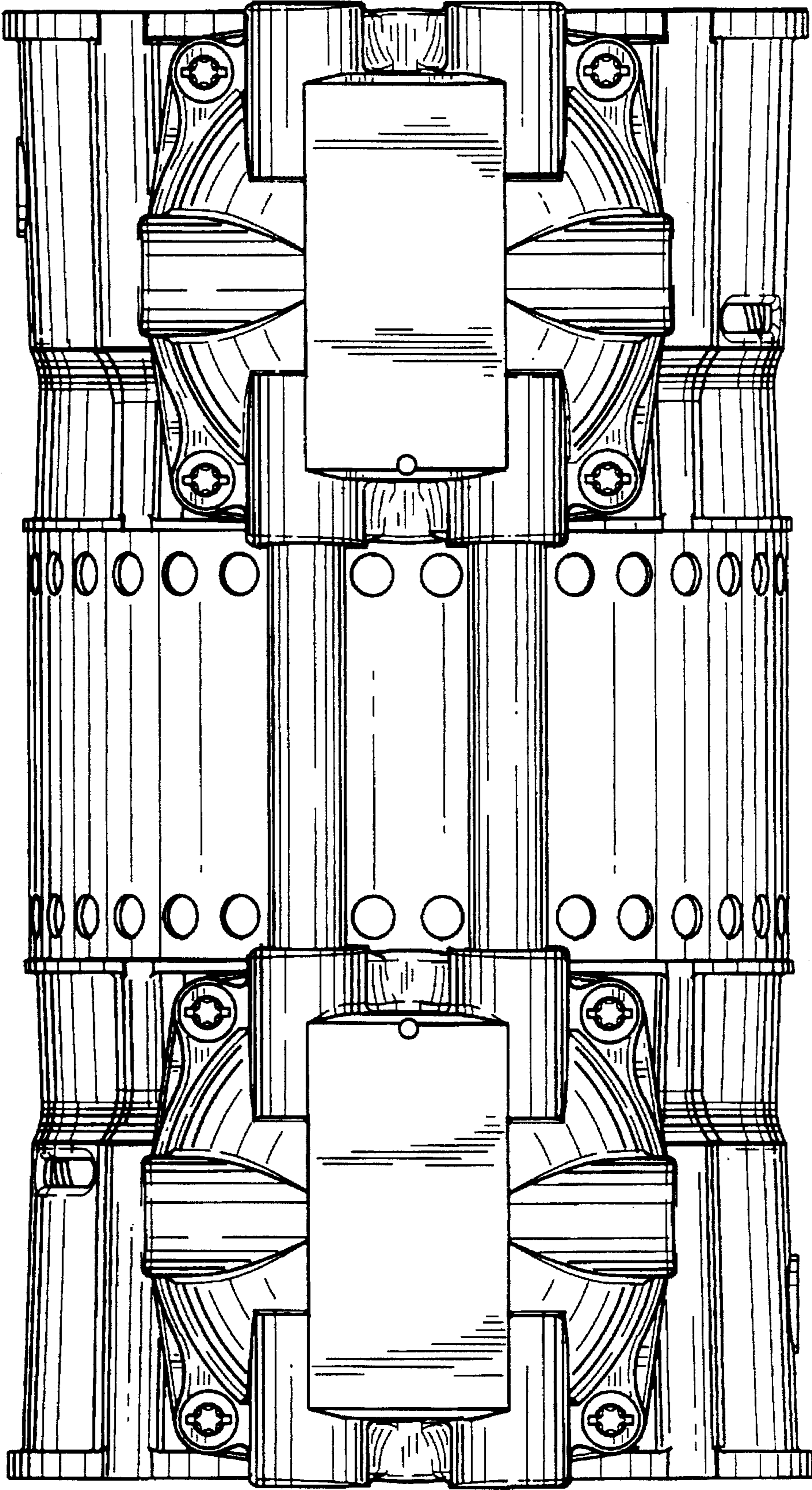


FIG. 4

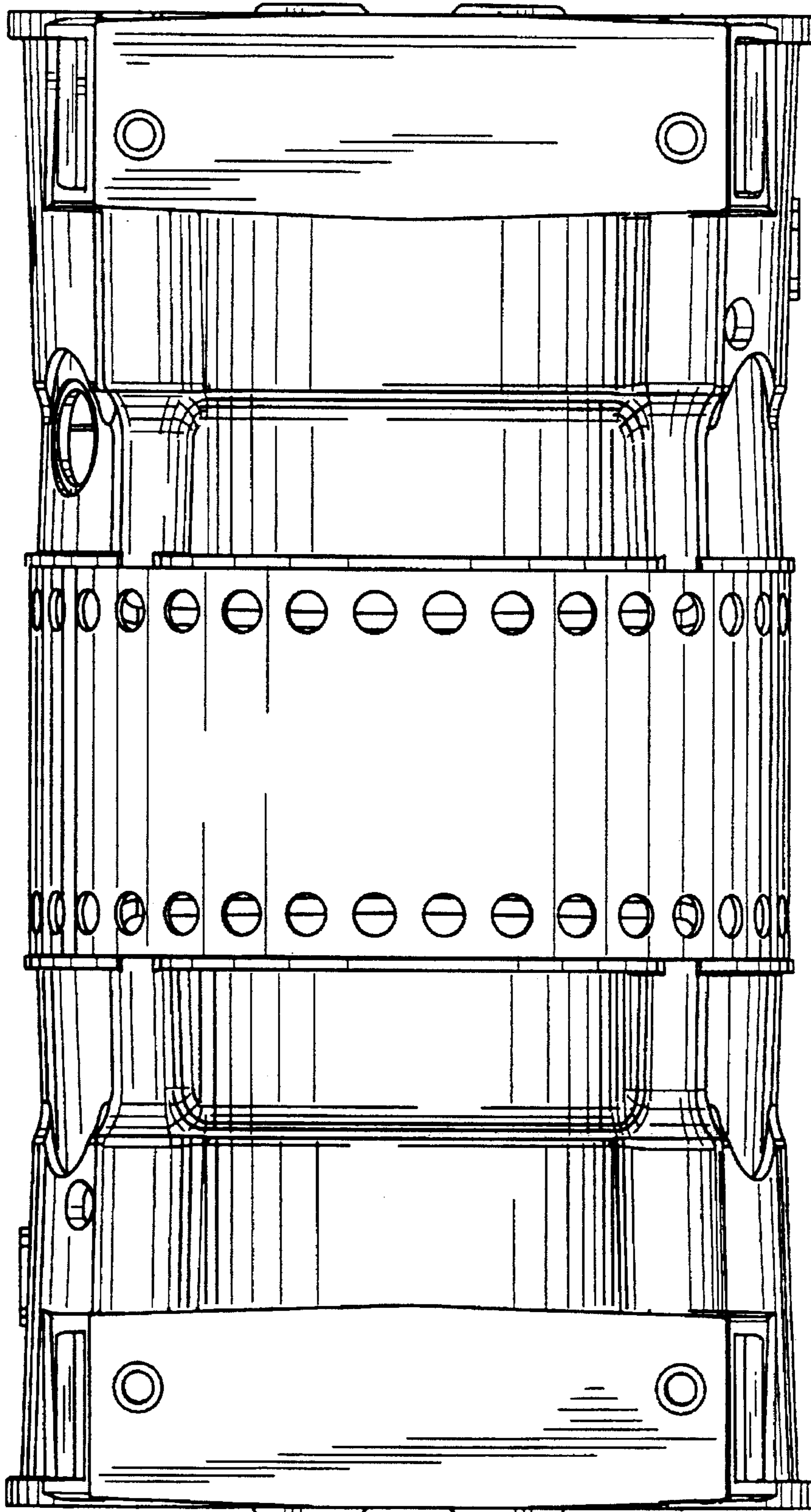


FIG. 5

FIG. 6

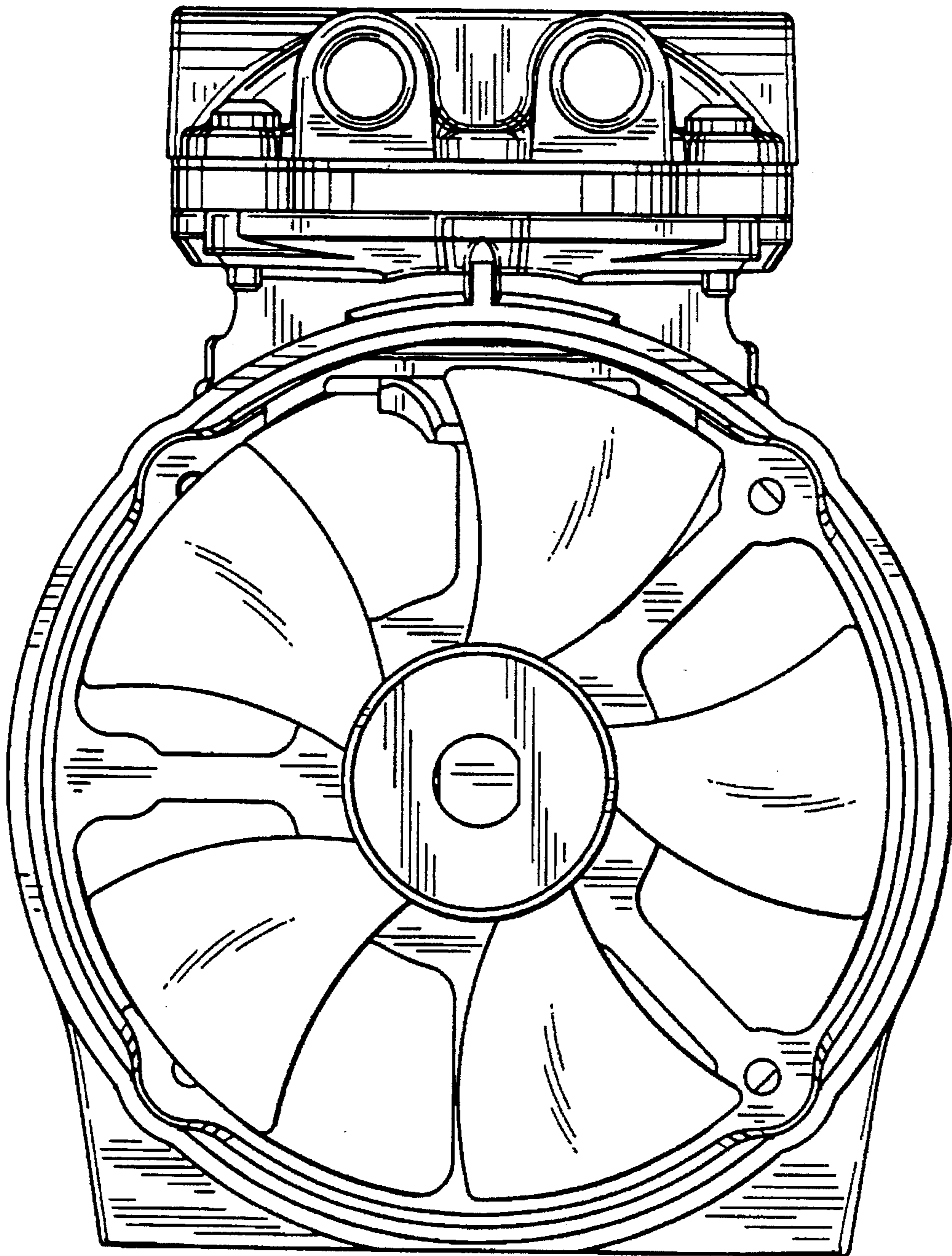
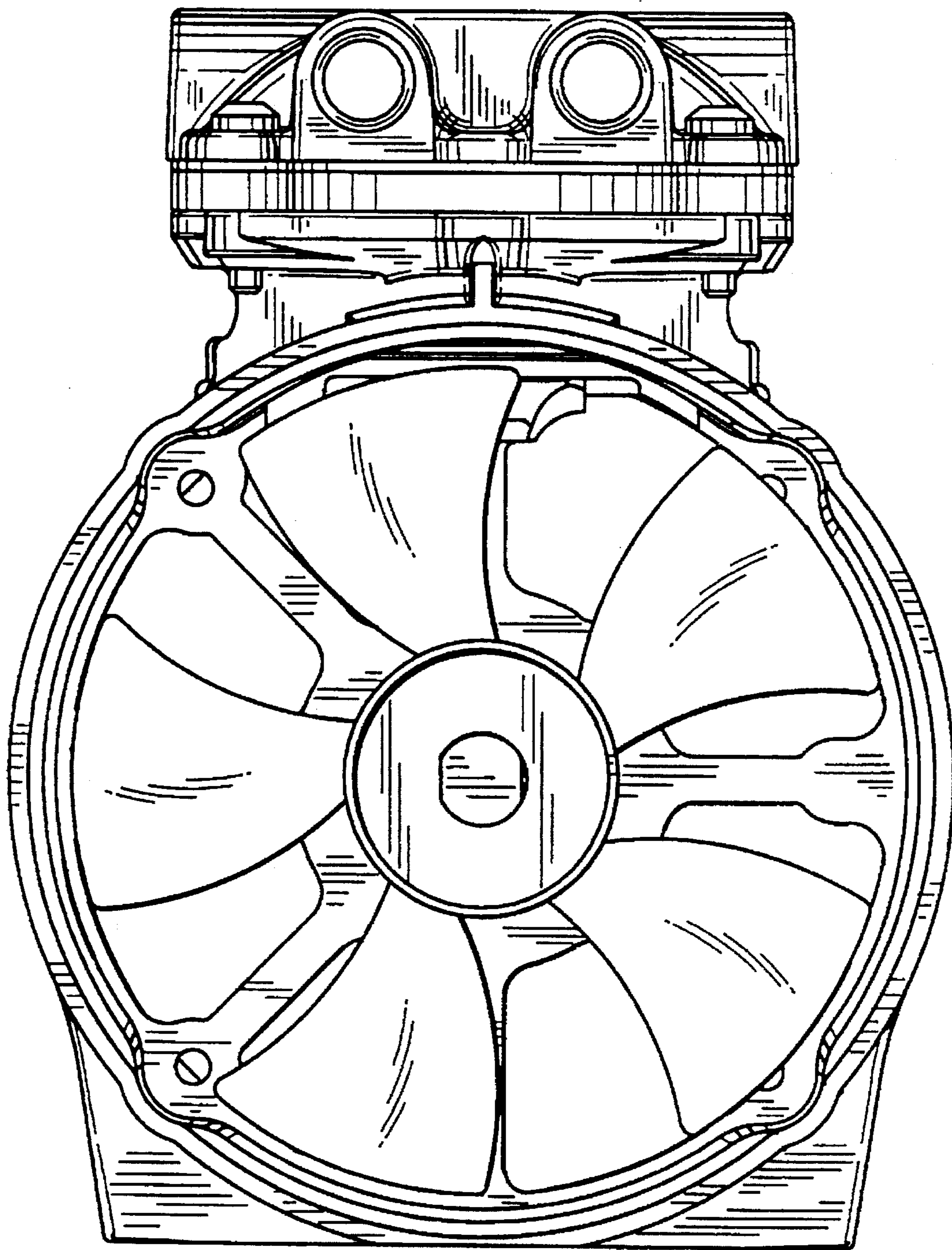


FIG. 7



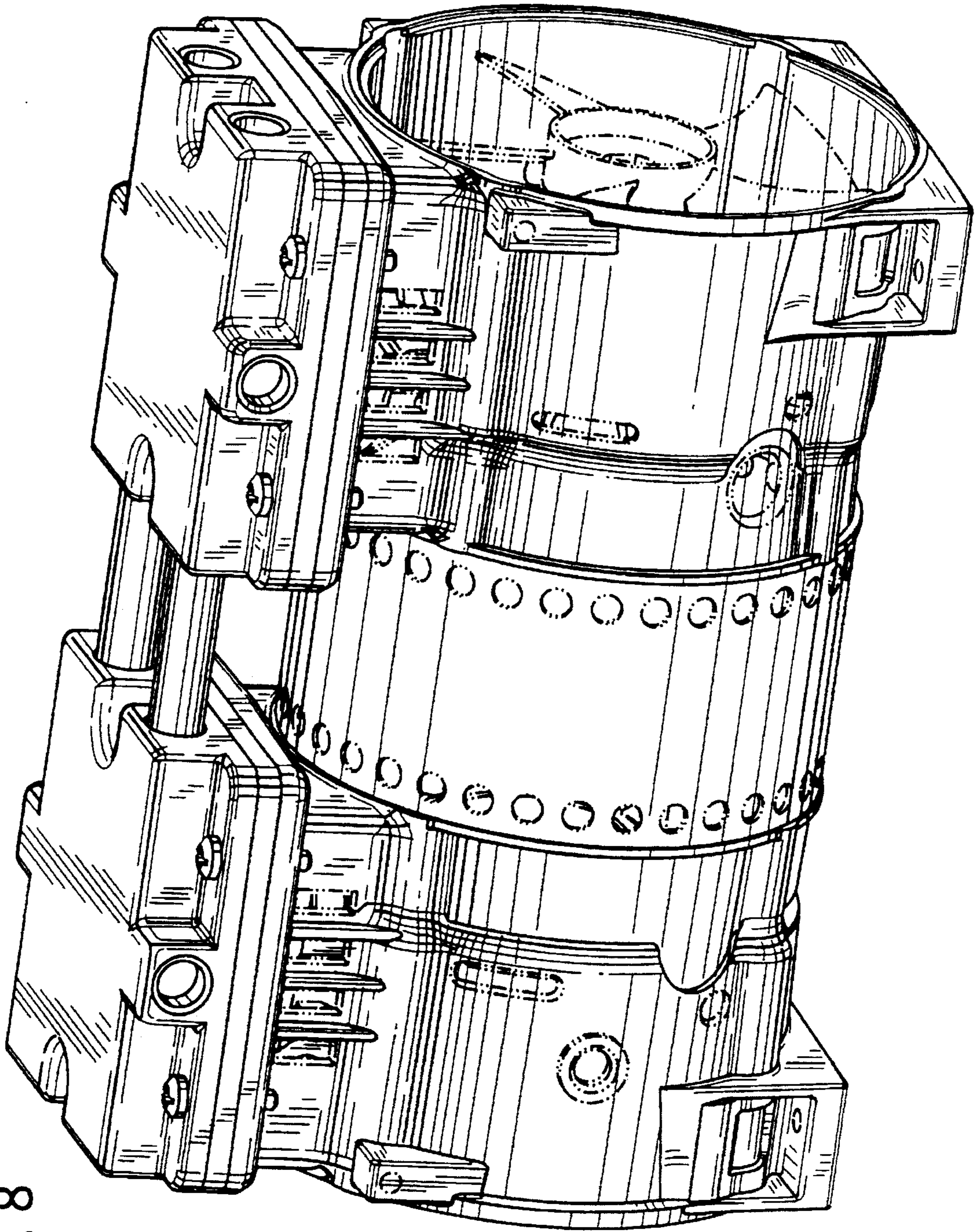


FIG. 8

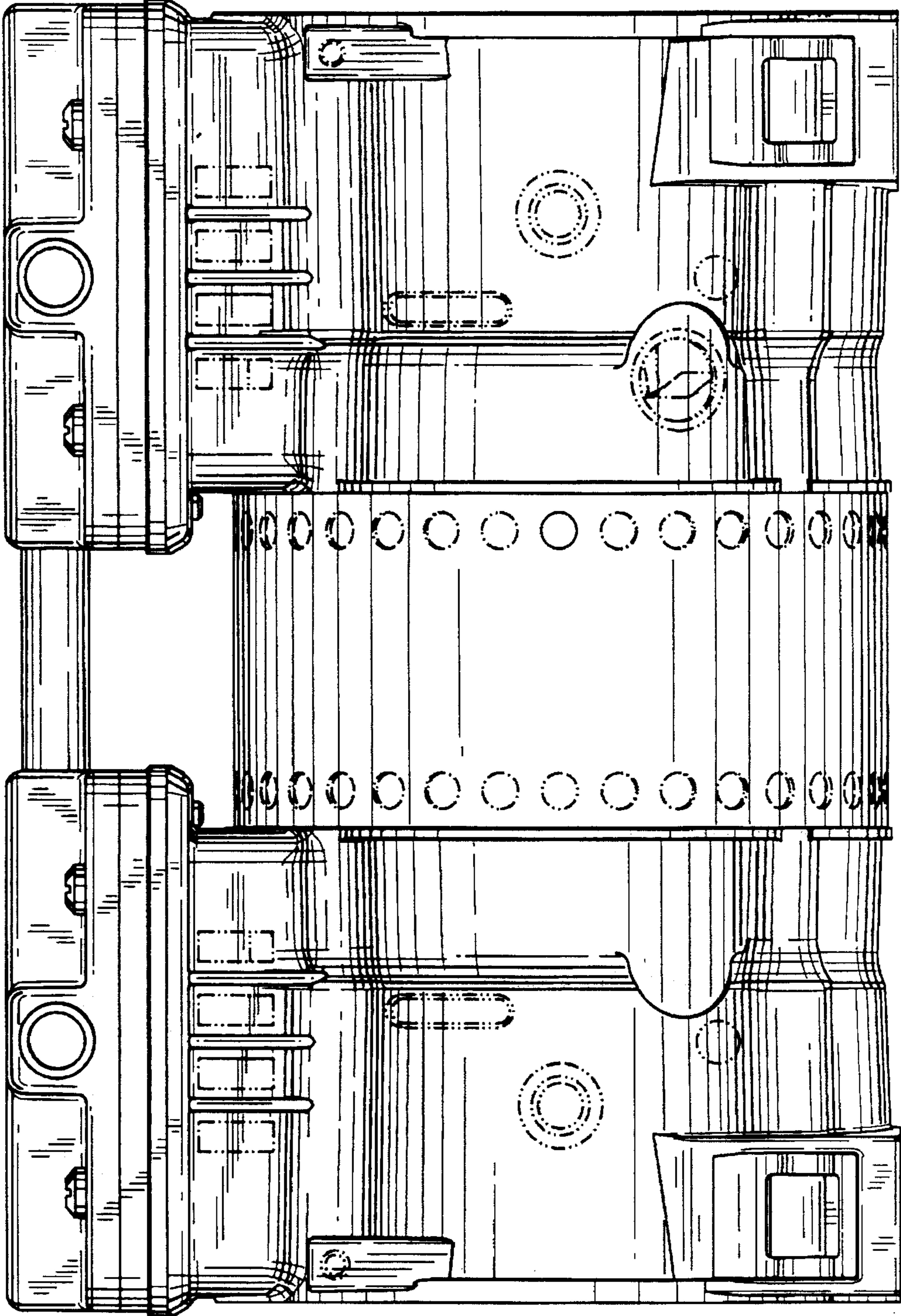


FIG. 9

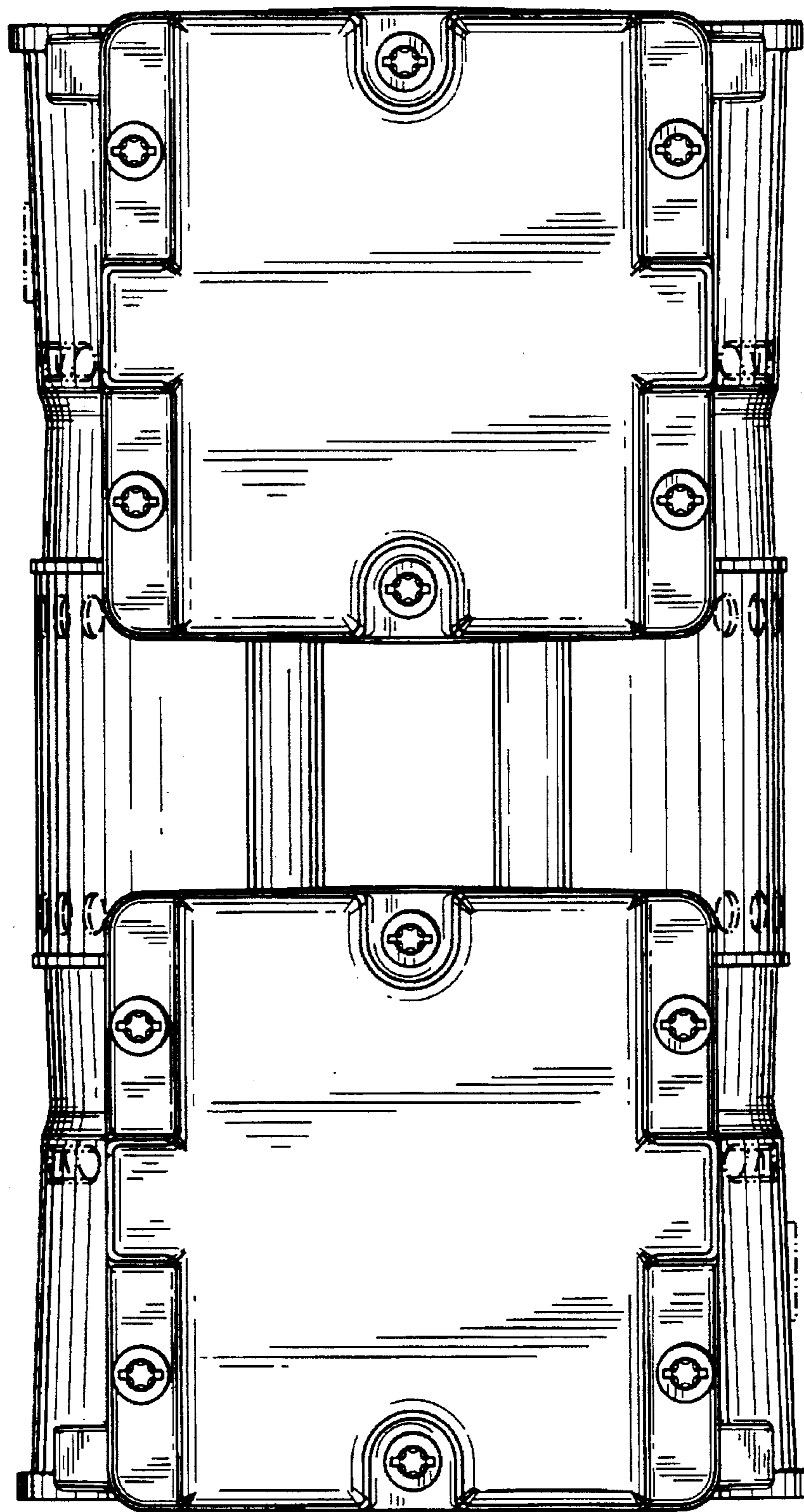


FIG. 10

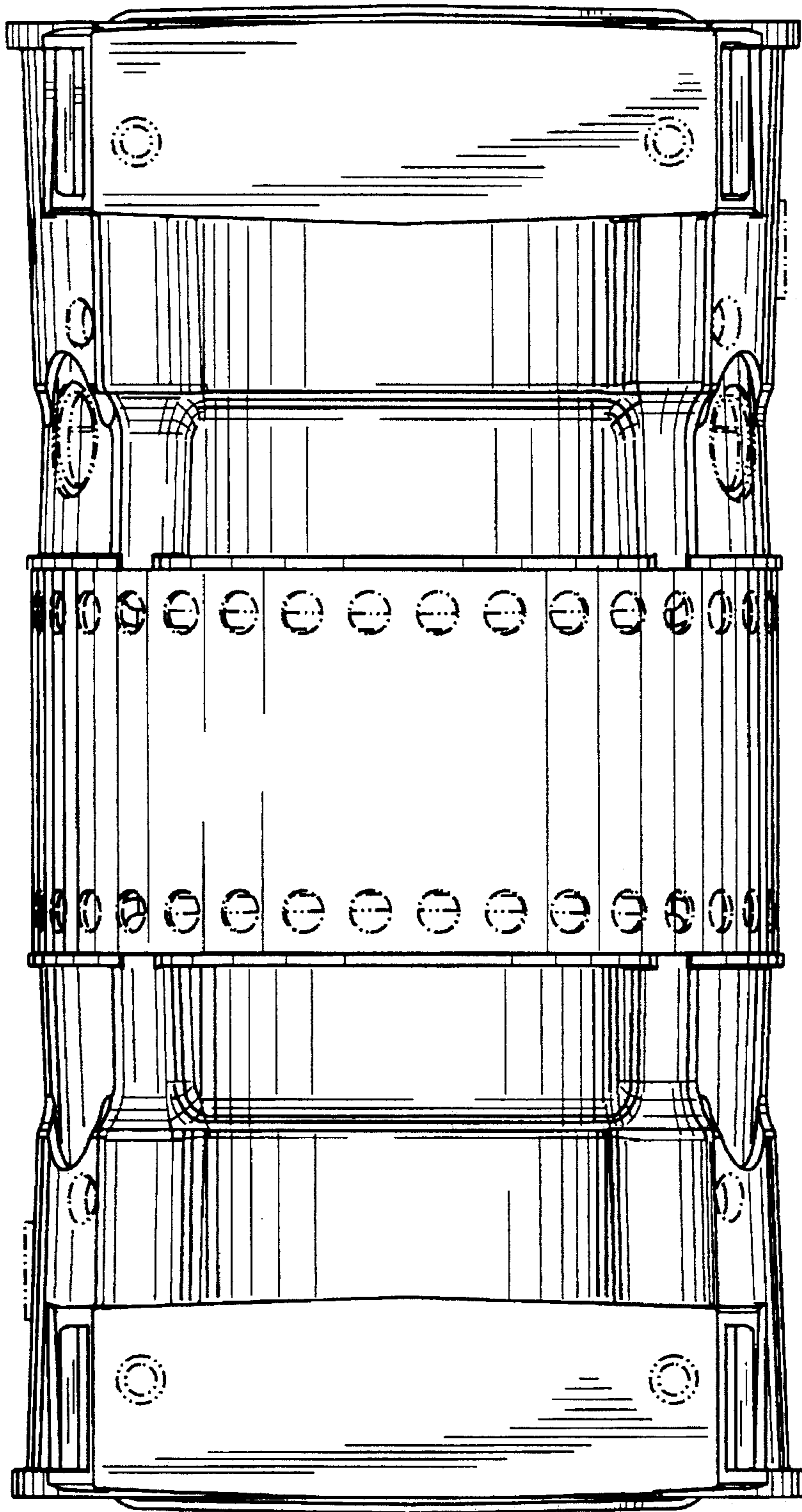


FIG. 11

FIG. 12

