



US00D382882S

United States Patent [19]
Parker

[11] **Patent Number: Des. 382,882**

[45] **Date of Patent: **Aug. 26, 1997**

[54] **PUMP COVER**

D. 327,481 6/1992 Stephenson D15/7

D. 331,858 12/1992 Erway D15/7

D. 352,947 11/1994 Colin et al. D15/7

[76] **Inventor: Alexander Martin Parker, 30A
Merrylands Road, Bookham, Surrey
KT23 3HW, England**

[**] **Term: 14 Years**

Primary Examiner—Ralf Seifert
Attorney, Agent, or Firm—Wenderoth, Lind & Ponack

[21] **Appl. No.: 54,434**

[57] **CLAIM**

[22] **Filed: May 14, 1996**

The ornamental design for a pump cover, as shown.

[30] **Foreign Application Priority Data**

DESCRIPTION

Nov. 15, 1995 [GB] United Kingdom 2051941

[51] **LOC (6) Cl. 15-02**

[52] **U.S. Cl. D15/7**

[58] **Field of Search** D15/7-9.1; 417/234,
417/572; 401/41, 48, 146, 197, 203, 204,
207, 218, 219

FIG. 1 is a plan view;

FIG. 2 is an underneath plan view;

FIG. 3 is a sectional view taken along the lines 3—3 of FIG. 1; and,

FIG. 4 is a side view.

[56] **References Cited**

U.S. PATENT DOCUMENTS

D. 235,168 5/1975 Boyer D15/7

1 Claim, 1 Drawing Sheet

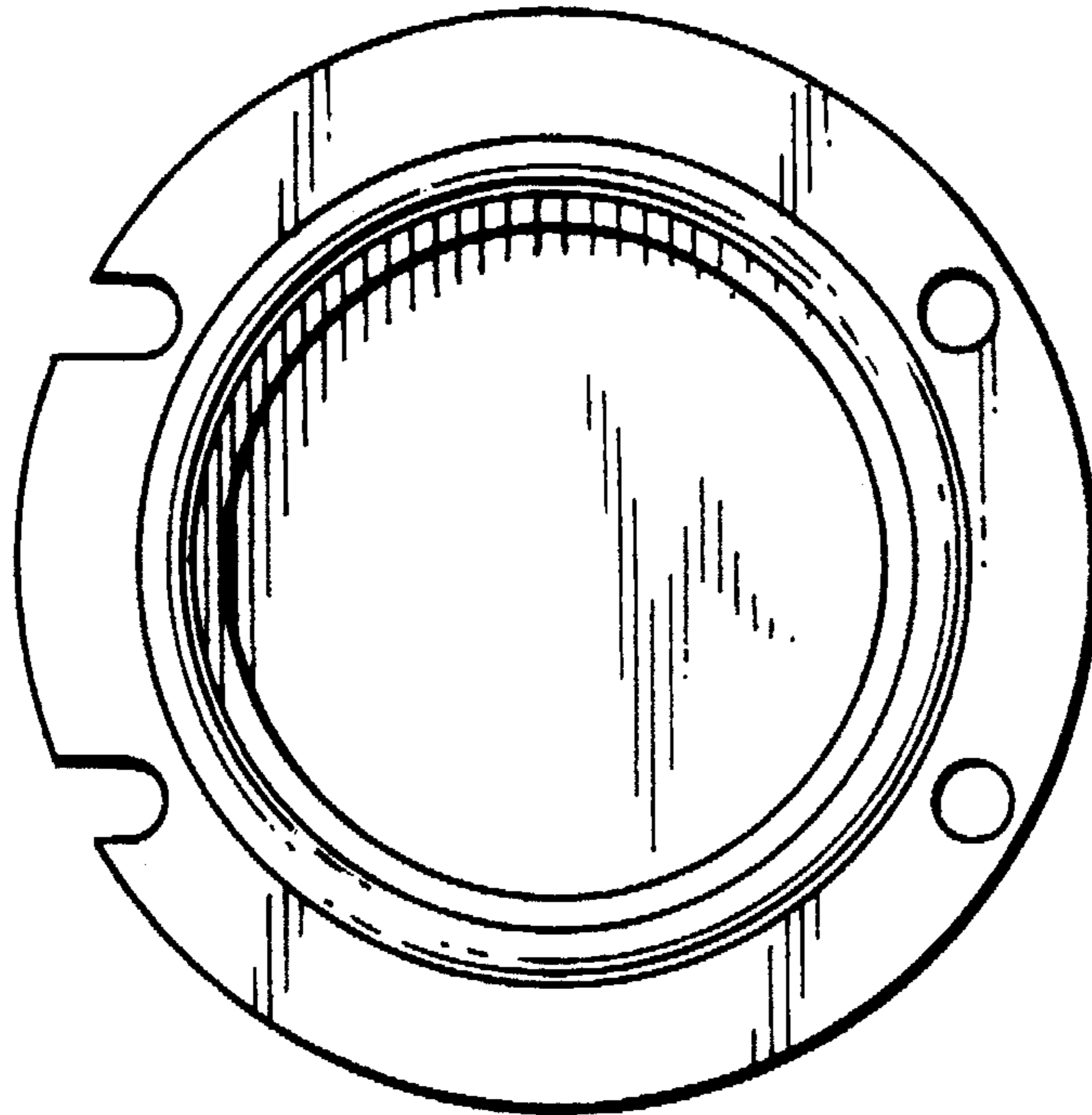


Fig.1.

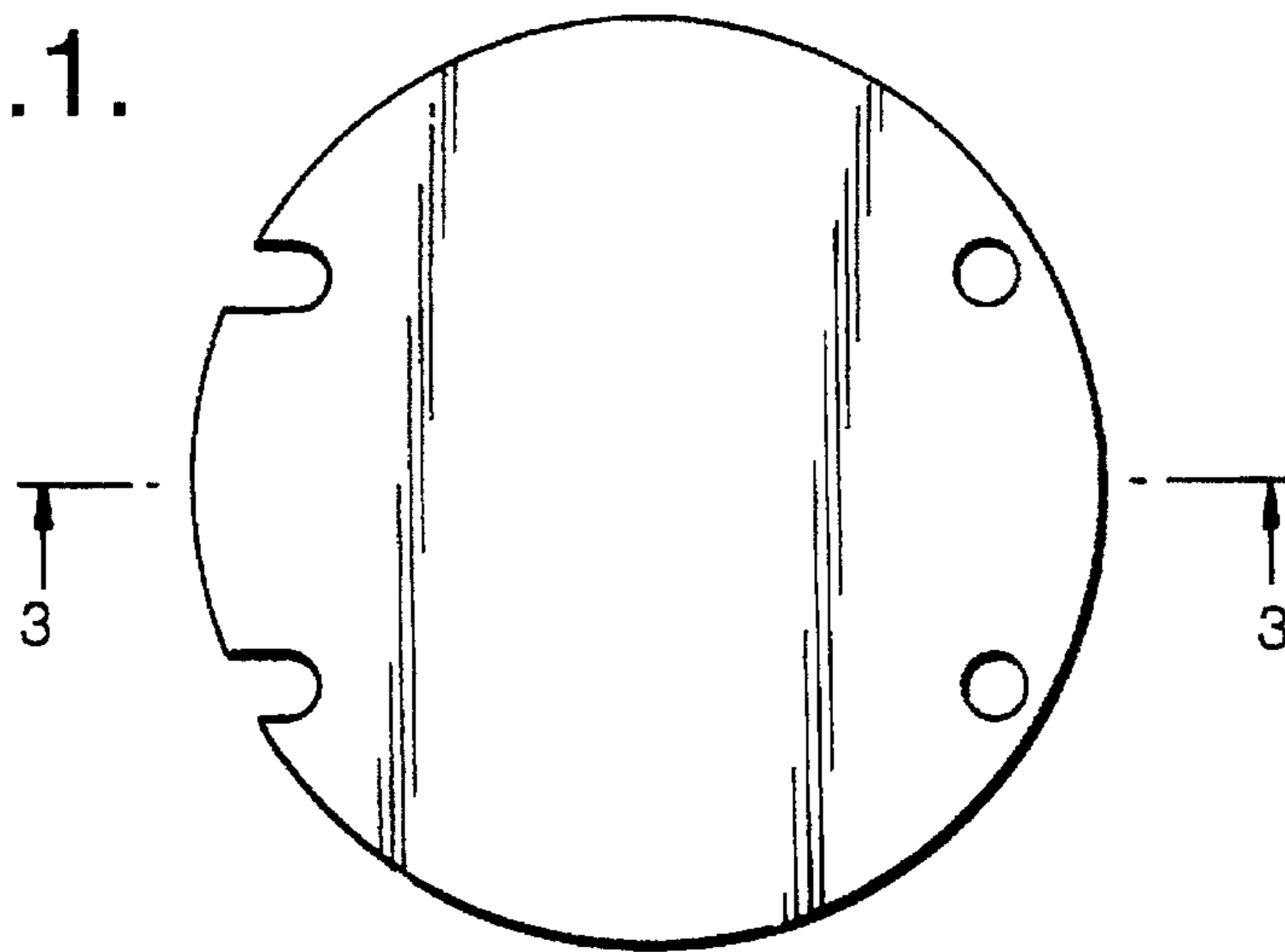


Fig.2.

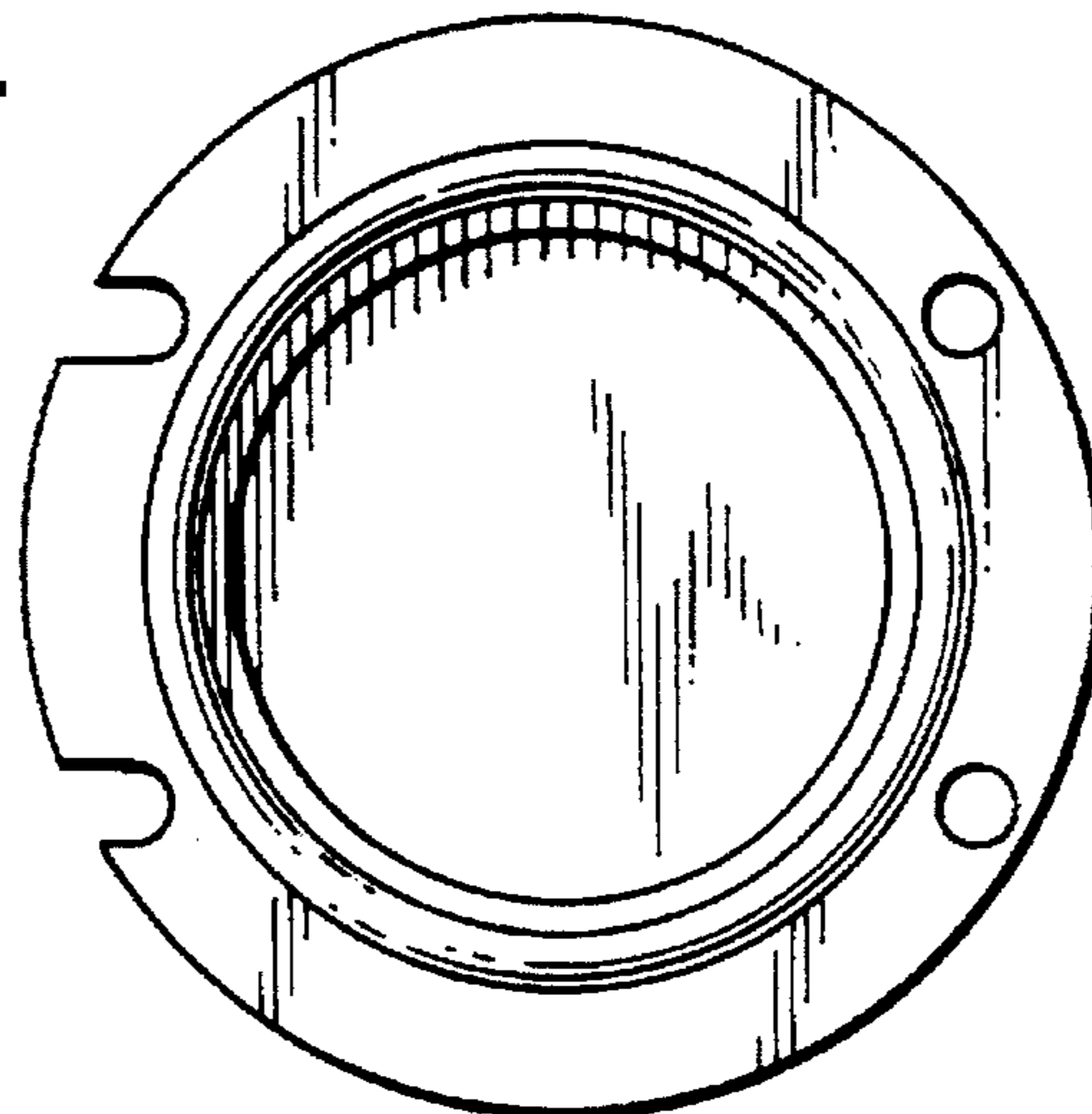


Fig.3.



Fig.4.

