



US00D382881S

United States Patent [19]

Höglund et al.

[11] Patent Number: **Des. 382,881**

[45] Date of Patent: ****Aug. 26, 1997**

[54] **PUMP IMPELLER**

[75] Inventors: **Ronny Höglund**, Skoghall; **Ulf Jansson**, Karlstad, both of Sweden

[73] Assignee: **Kvaerner Pulping Technologies Aktiebolag**, Sweden

[**] Term: **14 Years**

[21] Appl. No.: **51,214**

[22] Filed: **Mar. 5, 1996**

[30] **Foreign Application Priority Data**

Sep. 7, 1995 [SE] Sweden 95-1684

[51] LOC (6) Cl. **15-02**

[52] U.S. Cl. **D15/7**

[58] Field of Search D15/7-9.1; 416/179, 416/180, 182, 183, 192

[56] **References Cited**

U.S. PATENT DOCUMENTS

D. 258,588 3/1981 Sugiura D15/7

D. 268,112	3/1983	Sugiura	D15/7
2,465,671	3/1949	Millingen et al.	D15/7
4,520,541	6/1985	Miki et al.	416/183
4,904,158	2/1990	Kun	416/183
5,002,461	3/1991	Young et al.	416/183
5,540,550	7/1996	Kubota	416/179

Primary Examiner—Ralf Seifert
Attorney, Agent, or Firm—Ronald P. Kananen

[57] **CLAIM**

The ornamental design for a pump impeller, as shown.

DESCRIPTION

FIG. 1 is a perspective view from one end;
FIG. 2 is a perspective view from the other end;
FIG. 3 is a plan view from said first end; and,
FIG. 4 is a plan view from said other end.

1 Claim, 3 Drawing Sheets

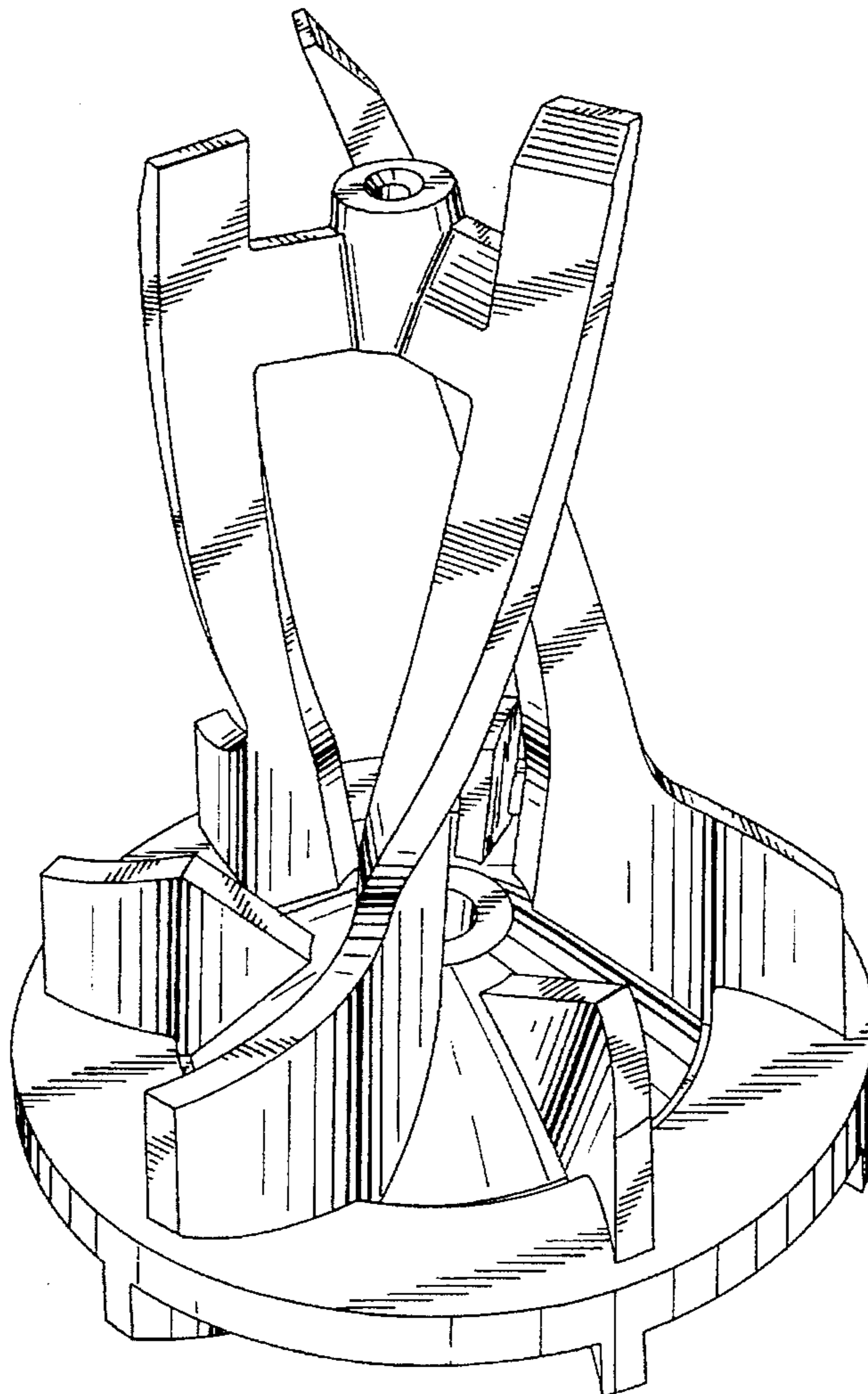


FIG. 1

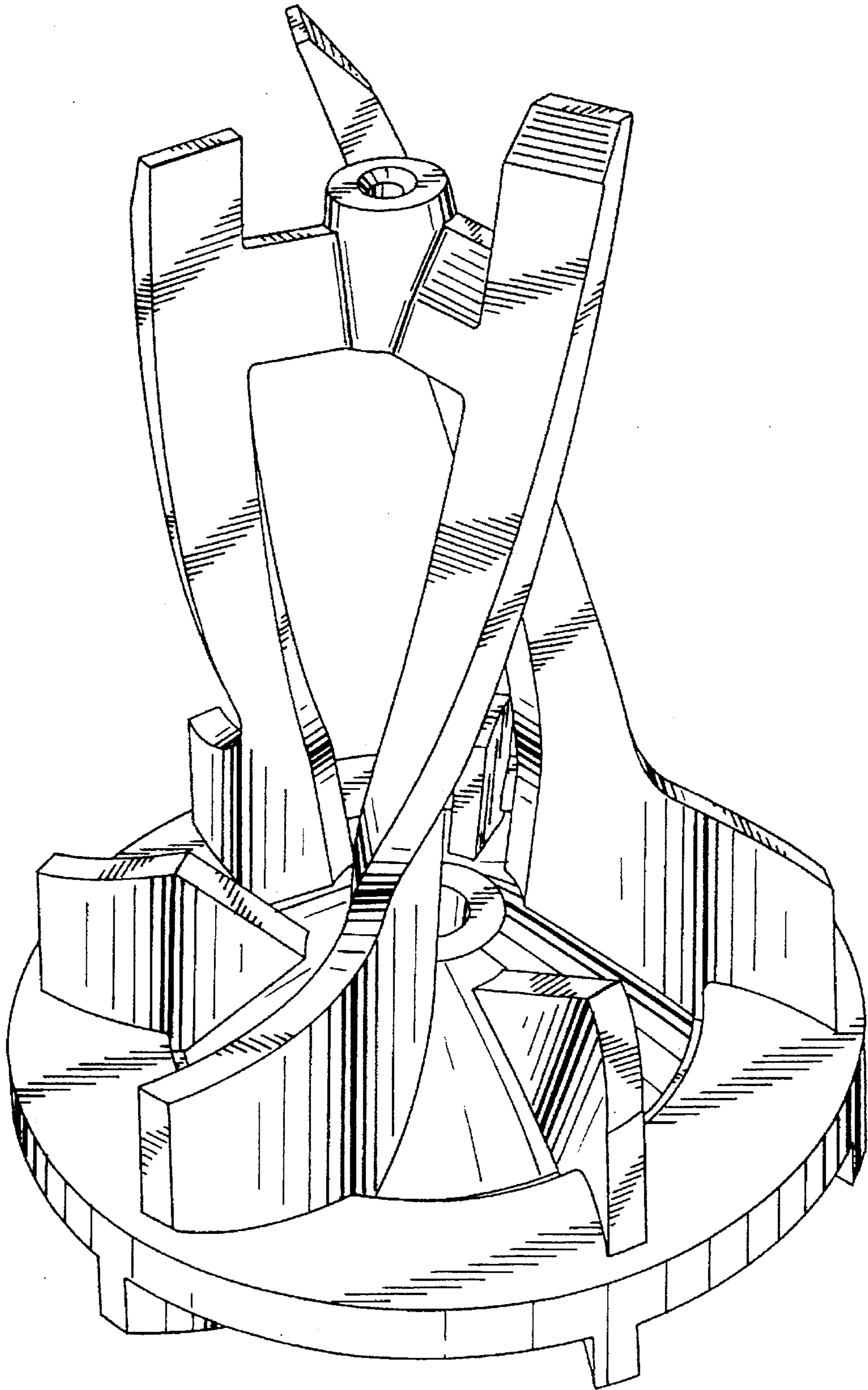


FIG. 2

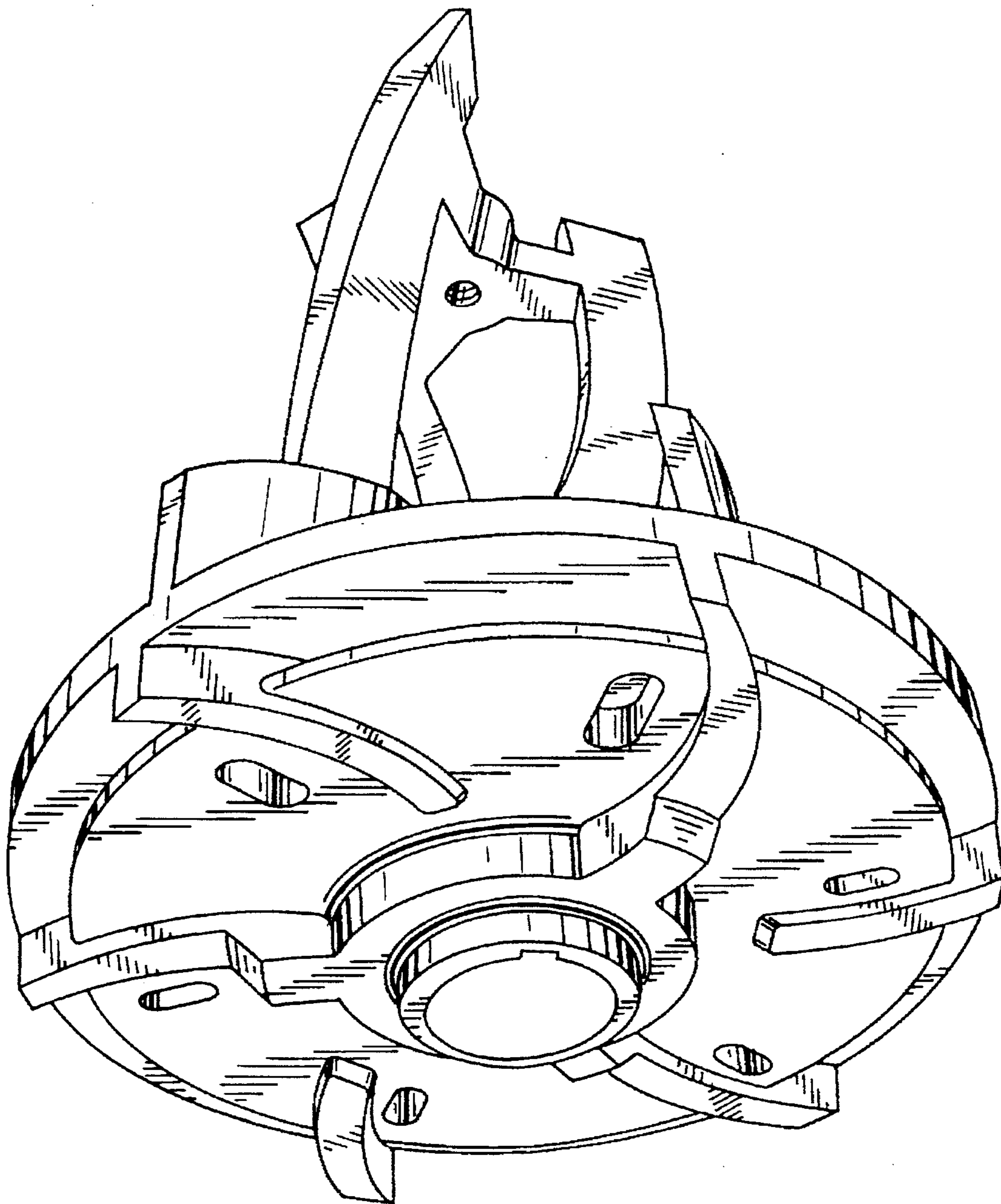


FIG. 4

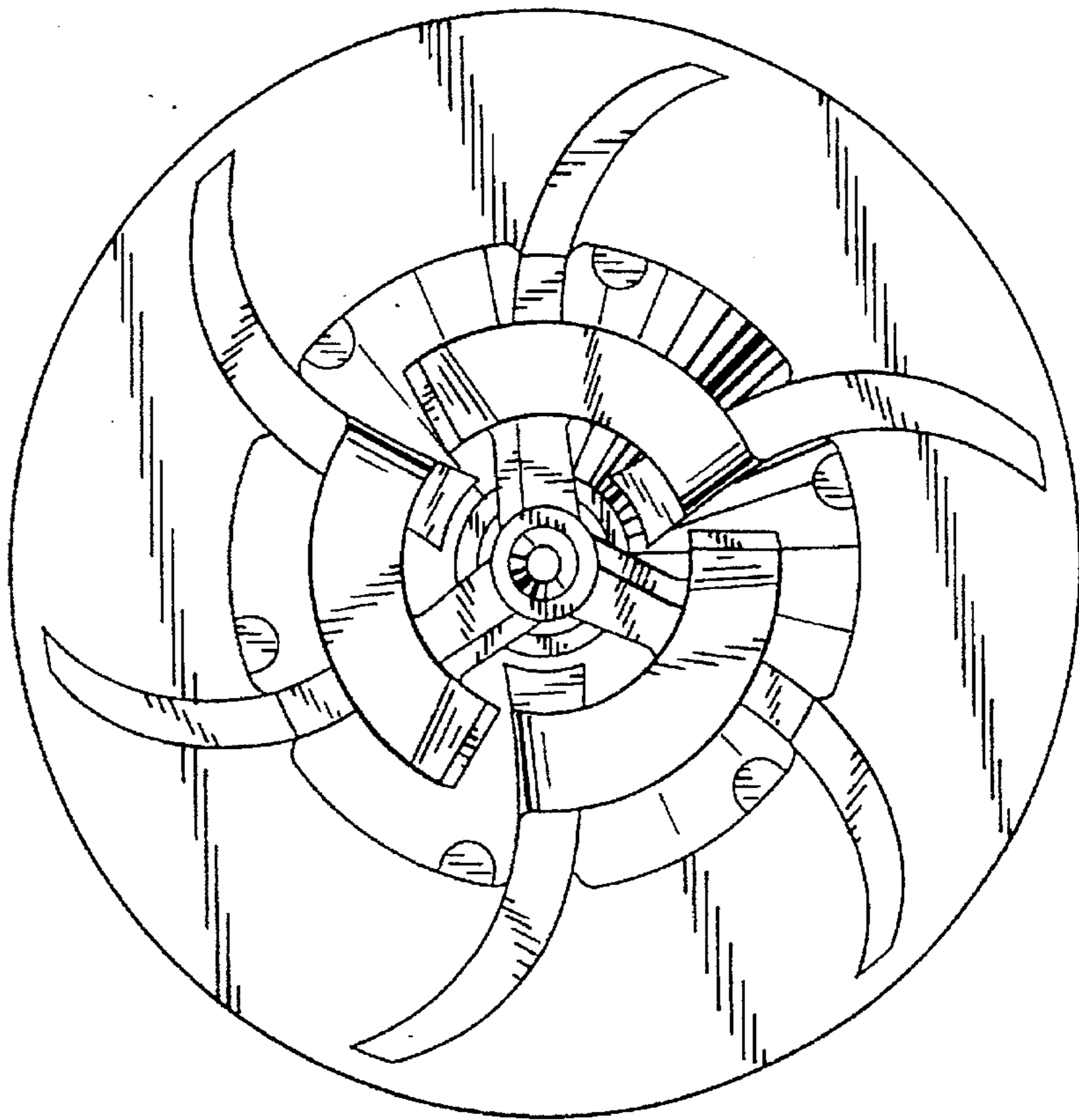


FIG. 3

