



US00D382876S

# United States Patent [19]

[11] Patent Number: **Des. 382,876**

Yuen

[45] Date of Patent: **\*\*Aug. 26, 1997**

[54] **COMBINATION RADIO LANTERN, AND CLOCK**

### FOREIGN PATENT DOCUMENTS

[75] Inventor: **Se Kit Yuen**, Kowloon, Hong Kong

2035715 12/1993 United Kingdom .  
2049724 8/1995 United Kingdom .

[73] Assignee: **John Manufacturing Limited**,  
Kowloon, Hong Kong

*Primary Examiner*—Ted Shooman  
*Assistant Examiner*—Nanda Bondade  
*Attorney, Agent, or Firm*—Lyon & Lyon LLP

[\*\*] Term: **14 Years**

[57] **CLAIM**

[21] Appl. No.: **58,494**

The ornamental design for a combination radio, lantern and clock, as shown.

[22] Filed: **Aug. 16, 1996**

### DESCRIPTION

### [30] Foreign Application Priority Data

Mar. 1, 1996 [GB] United Kingdom ..... 2054570

[51] LOC (6) Cl. .... **14-01**

[52] U.S. Cl. .... **D14/168; D10/2; D10/5; D26/36**

[58] **Field of Search** ..... D10/1, 2, 15; D14/124, D14/160-168, 170-171, 188, 192-198; D26/36-48; 455/344, 350, 351

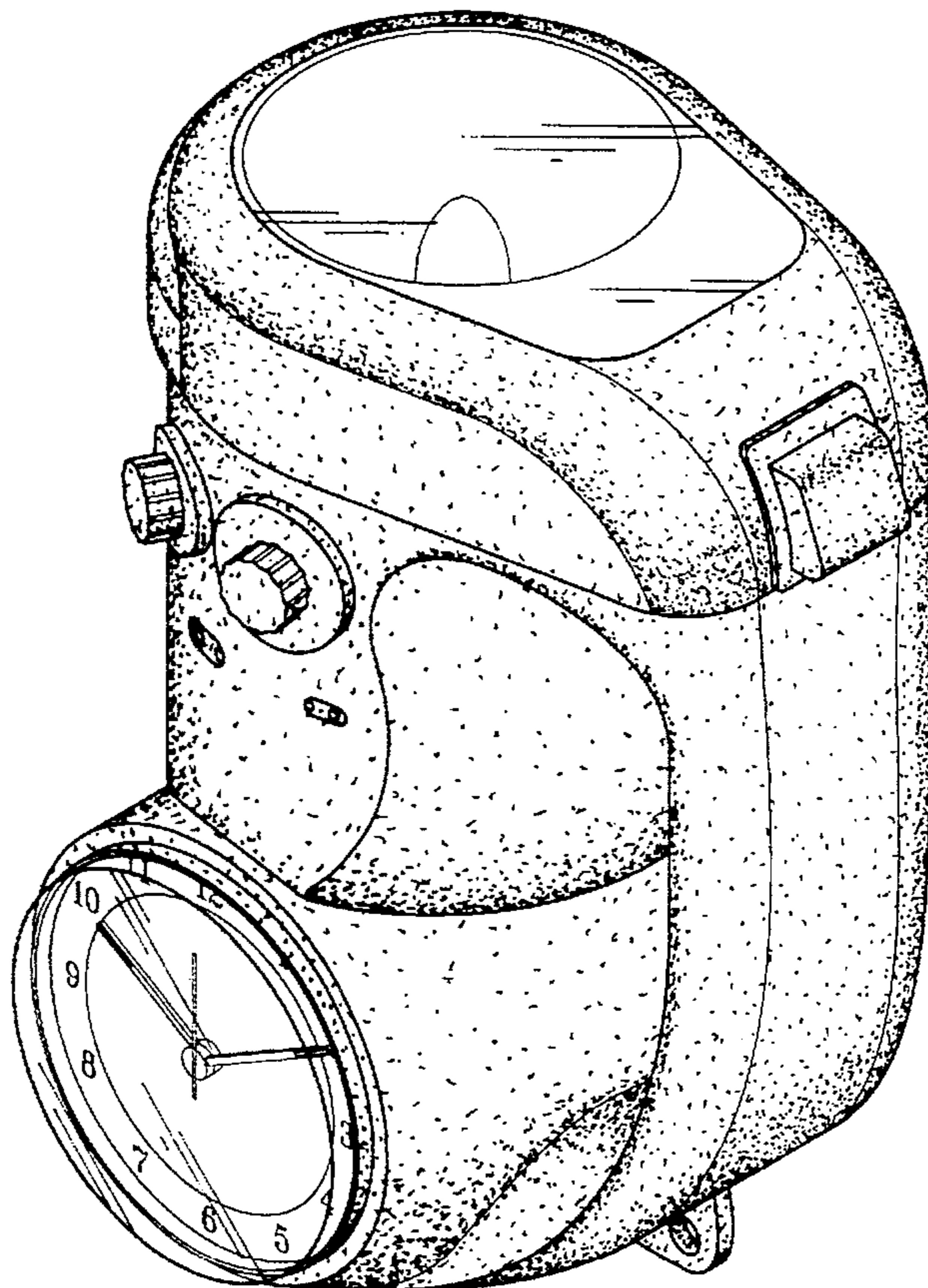
FIG. 1 is a perspective view of a combination radio, lantern and clock showing the design;  
FIG. 2 is a perspective of the combination radio, lantern and clock of FIG. 1 with the lantern portion tipped upwardly;  
FIG. 3 is a front elevation of the combination radio, lantern and clock of FIG. 1;  
FIG. 4 is a top plan view of the combination radio, lantern and clock of FIG. 1;  
FIG. 5 is a right side elevation of the combination radio, lantern and clock of FIG. 1;  
FIG. 6 is a back elevation of the combination radio, lantern and clock of FIG. 1;  
FIG. 7 is a bottom view of the combination radio, lantern and clock of FIG. 1; and,  
FIG. 8 is a left side elevation of the combination radio, lantern and clock of FIG. 1.

### [56] References Cited

#### U.S. PATENT DOCUMENTS

D. 314,245 1/1991 Van Brunschot ..... D26/38 X  
D. 342,520 12/1993 Totsuka ..... D14/170  
D. 343,617 1/1994 Kawase et al. .... D14/170  
D. 362,735 9/1995 Hiromori ..... D26/37

**1 Claim, 4 Drawing Sheets**



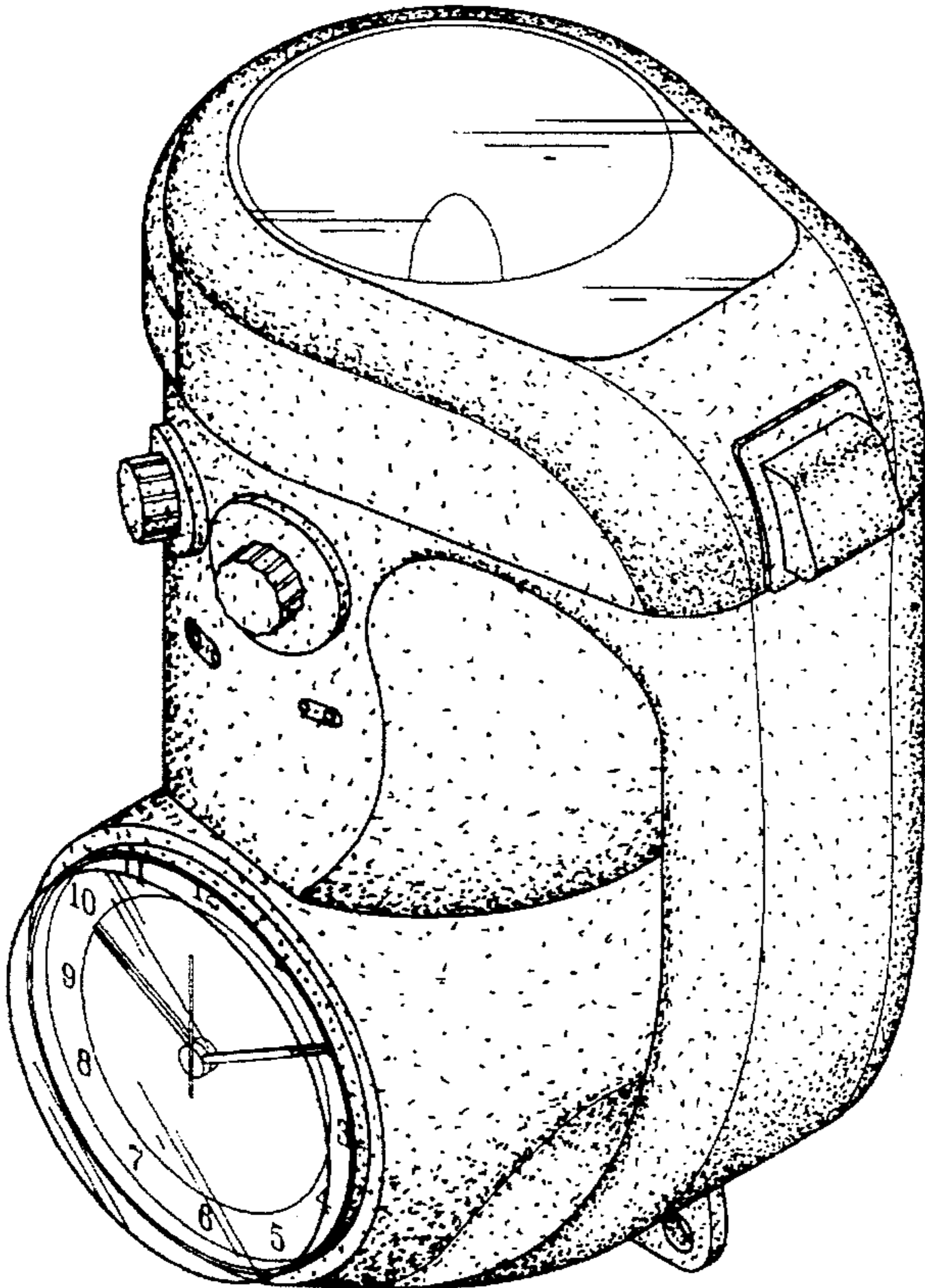


FIG. 1

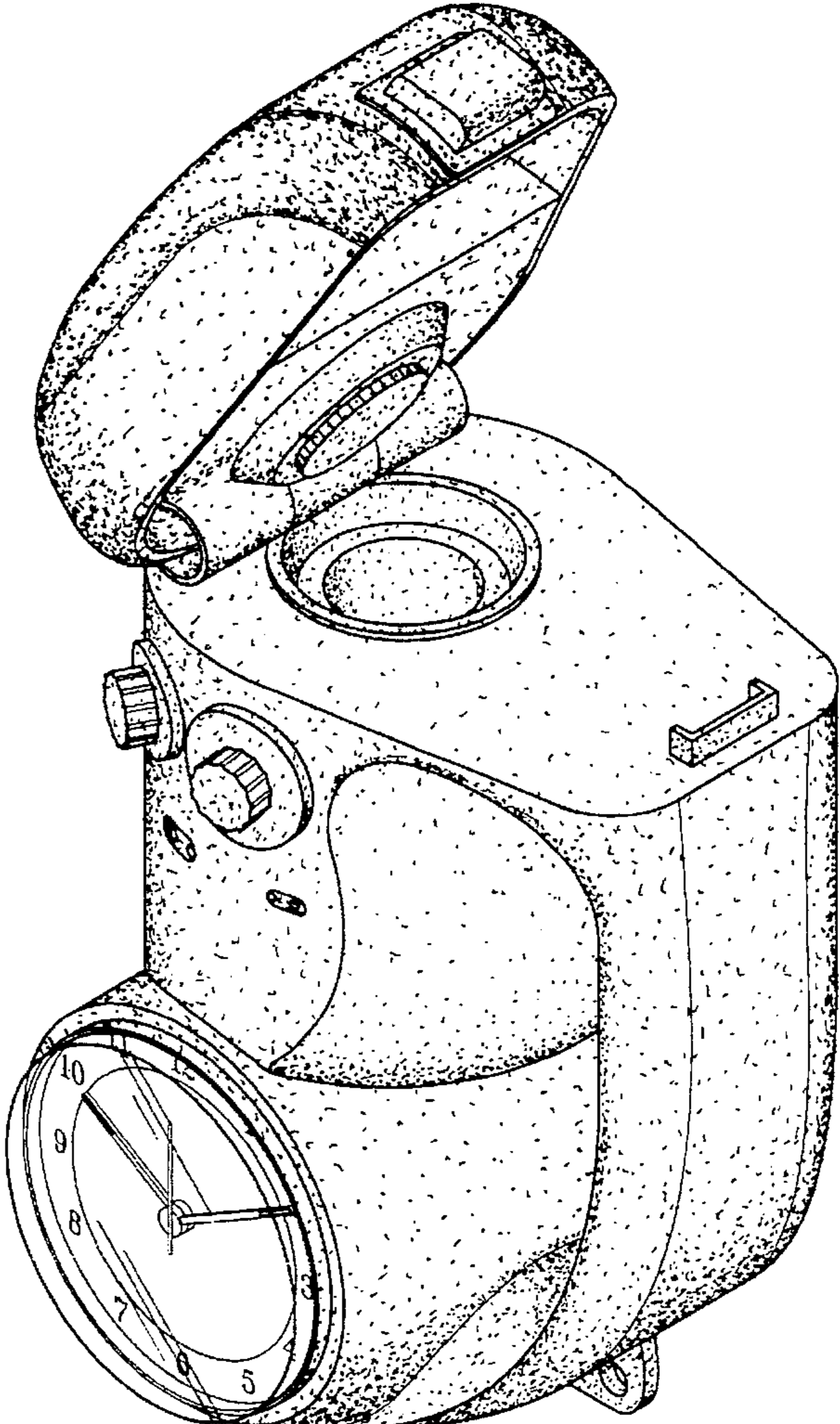


FIG. 2



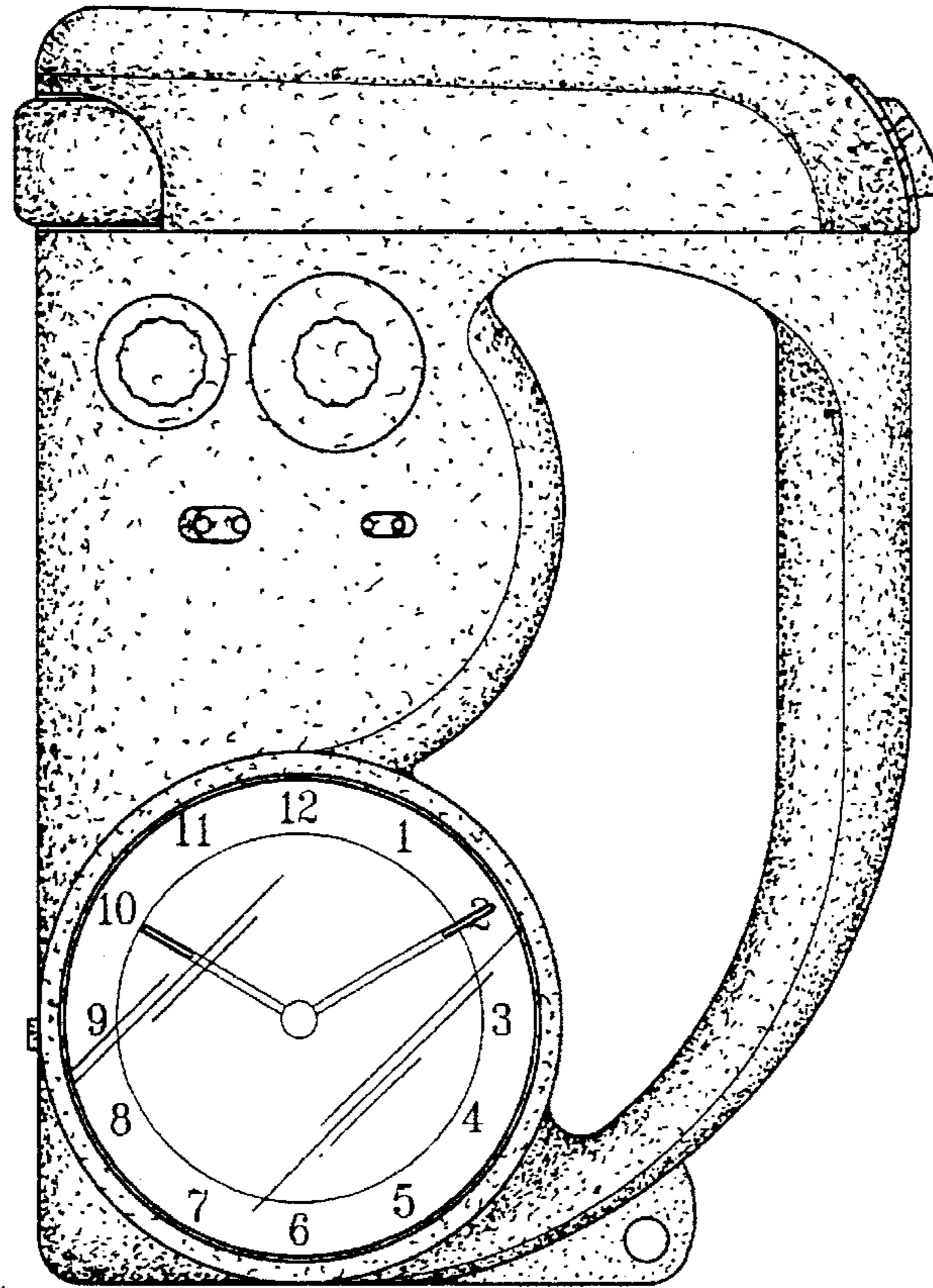


FIG. 3

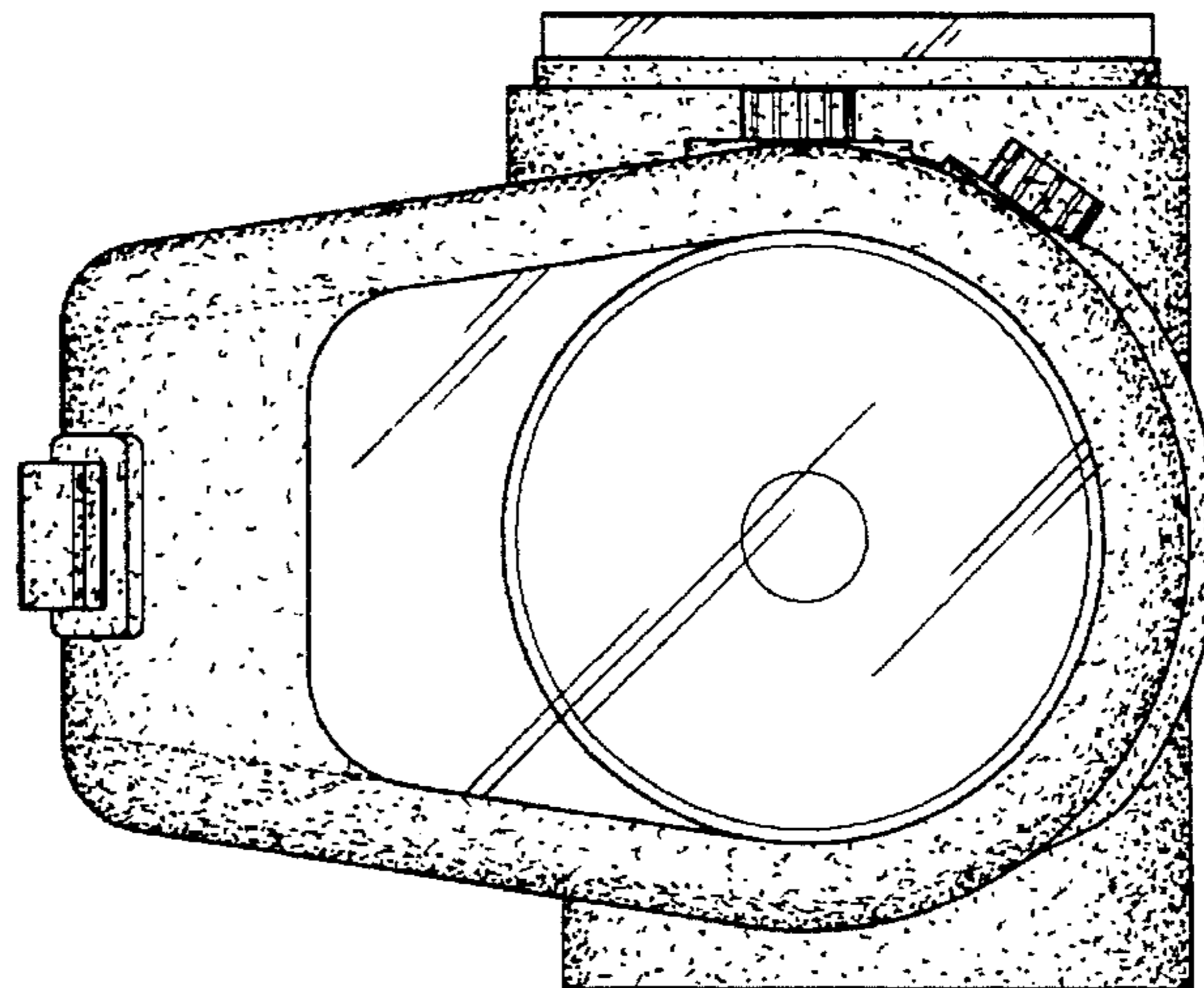


FIG. 4

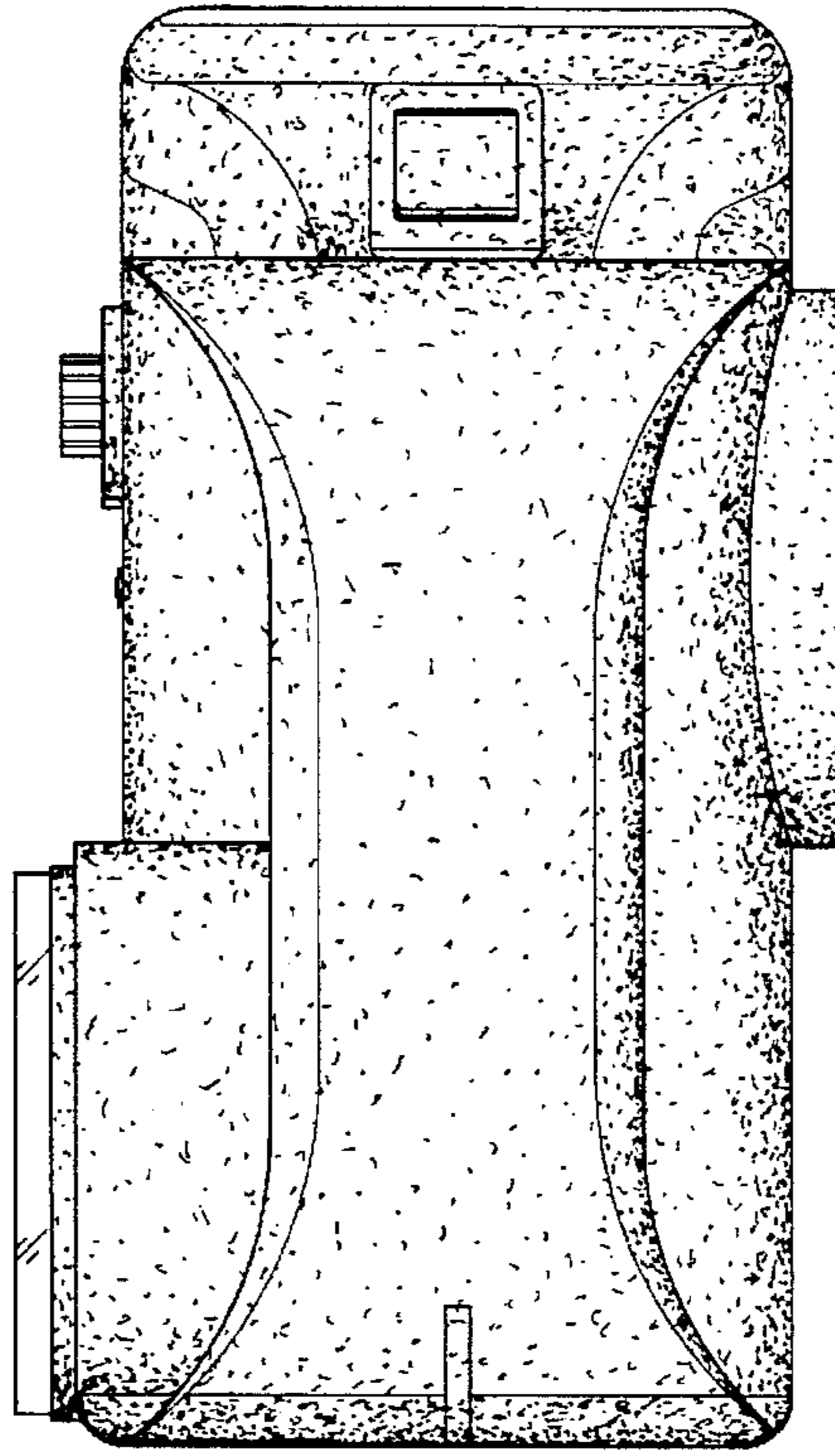


FIG. 5

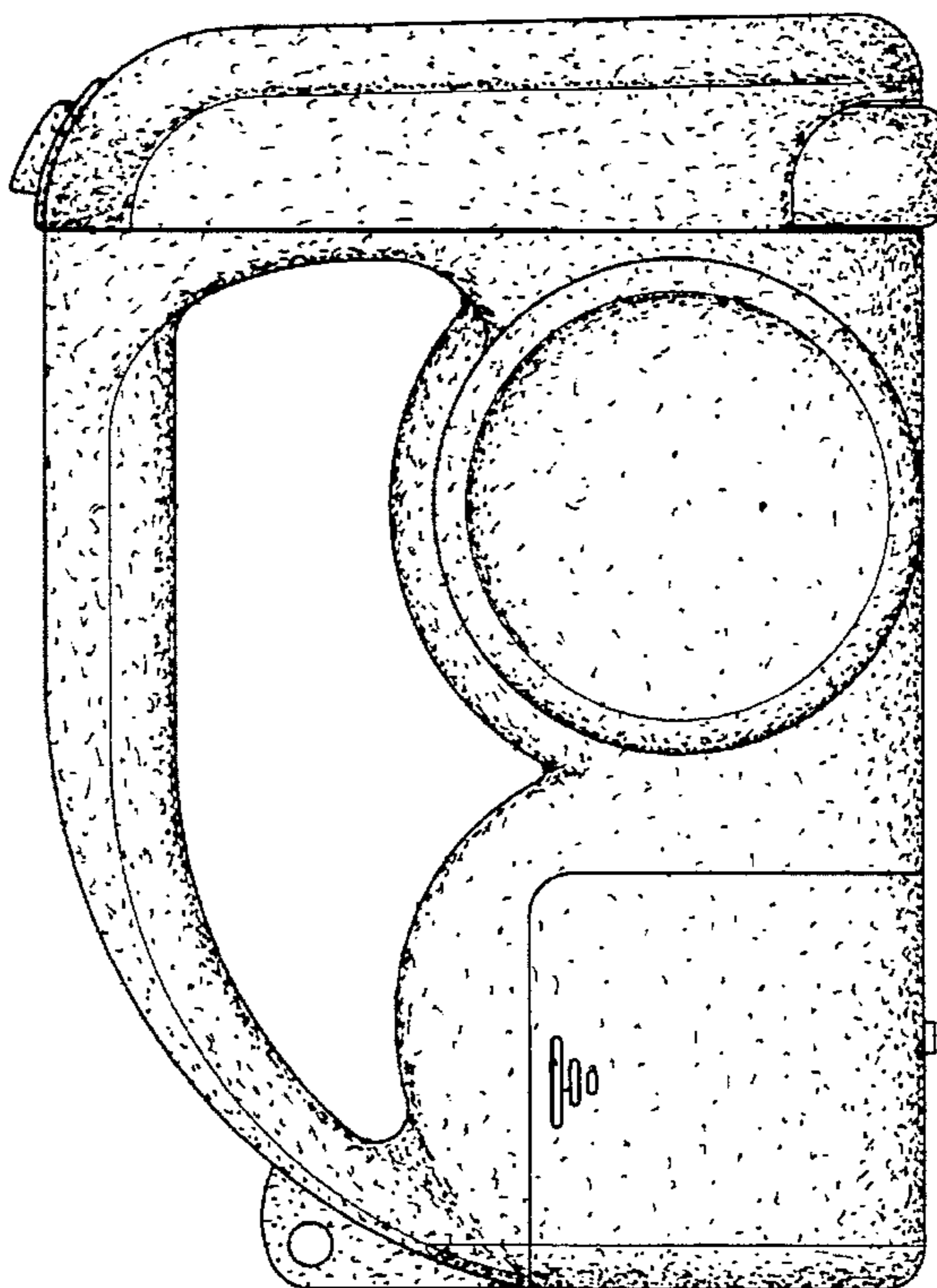


FIG. 6

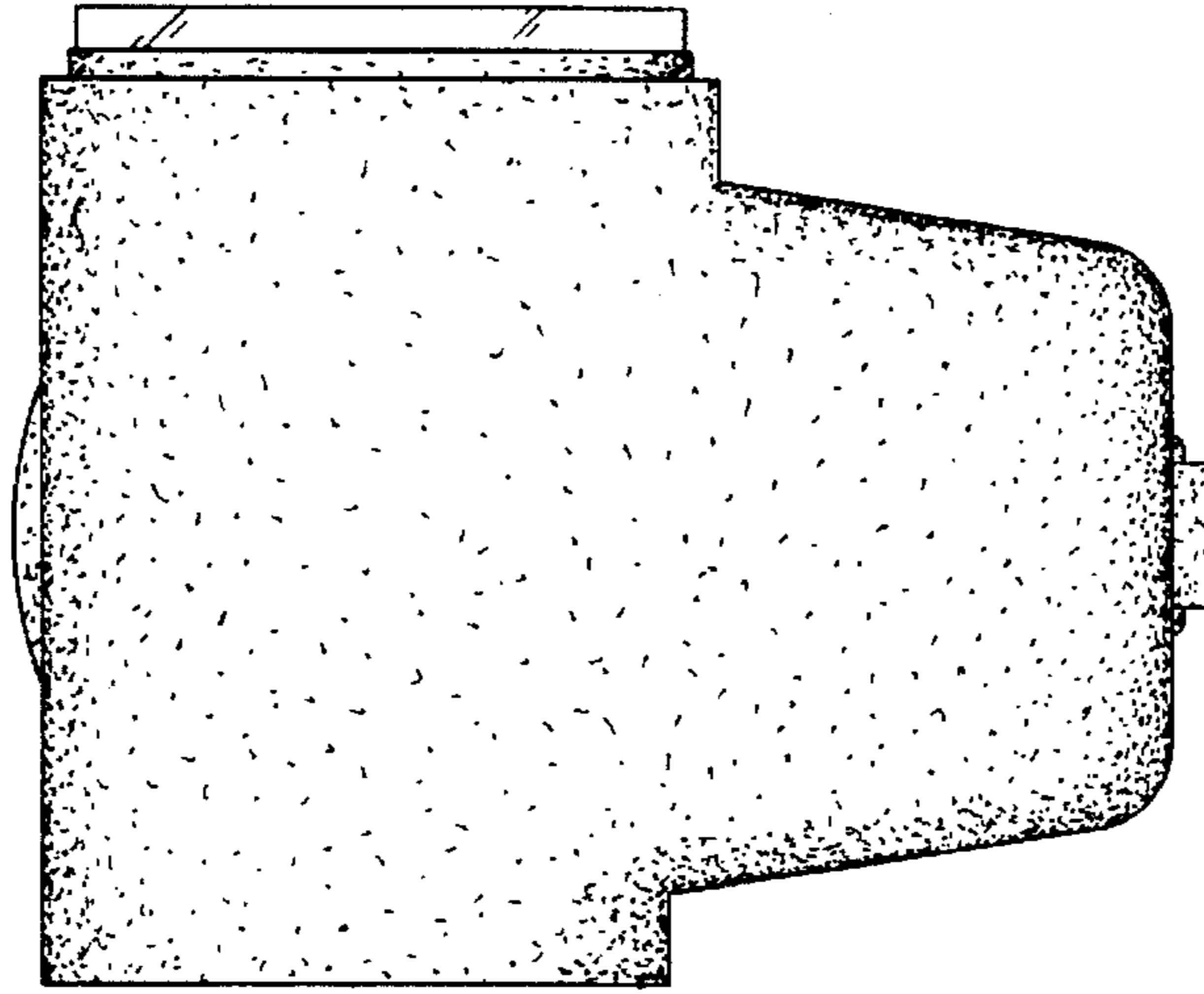


FIG. 7

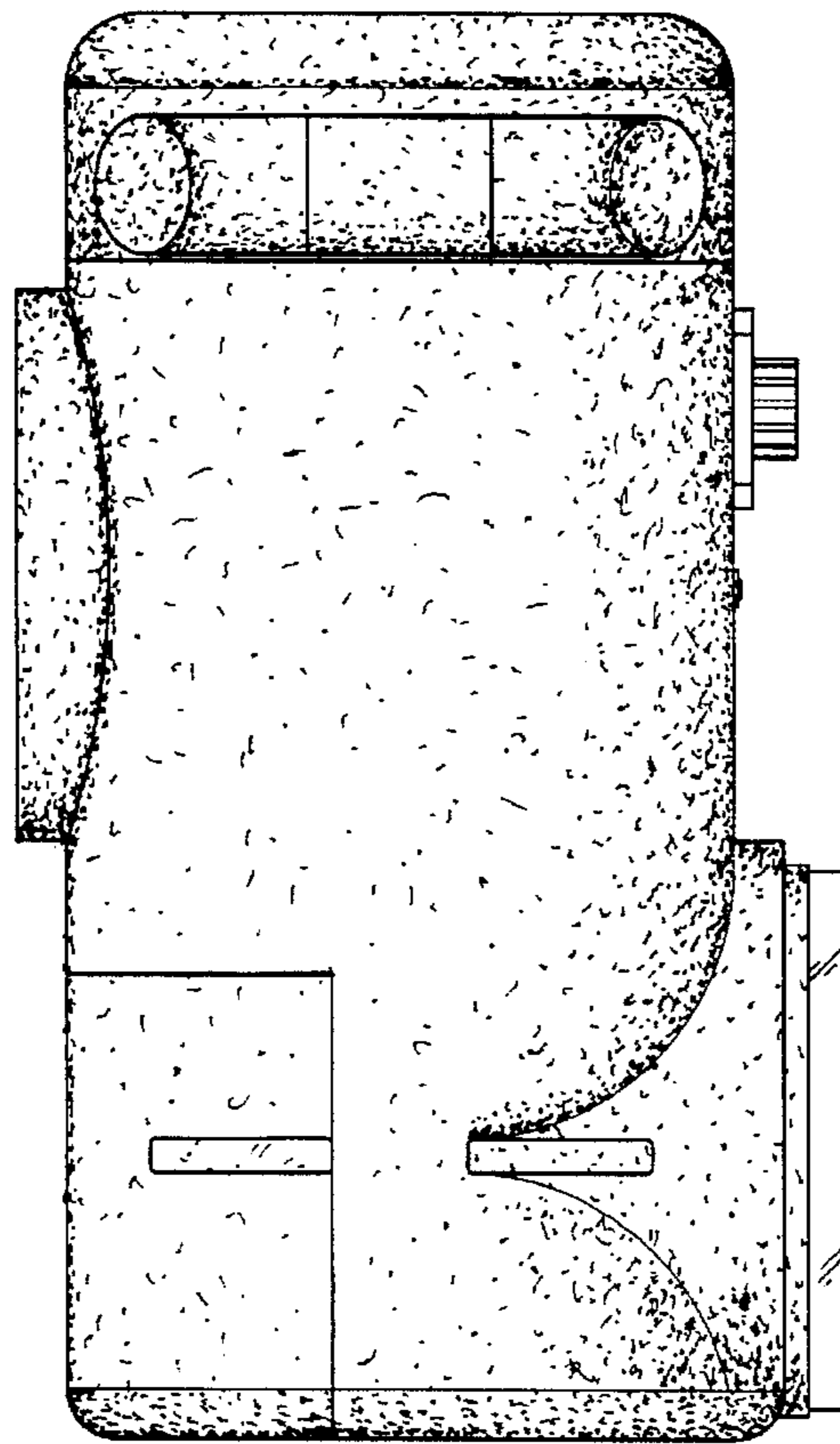


FIG. 8