



US00D382863S

United States Patent [19]

[11] Patent Number: Des. 382,863

Horiuchi et al.

[45] Date of Patent: **Aug. 26, 1997

[54] INTERNAL CD-ROM DRIVE FOR A PERSONAL COMPUTER

[75] Inventors: Yasuhiro Horiuchi, Yamato; Tatsuo Ikegami, Yokohama, both of Japan

[73] Assignee: International Business Machines Corporation, Armonk, N.Y.

[**] Term: 14 Years

[21] Appl. No.: 43,297

[22] Filed: Aug. 31, 1995

[51] LOC (6) Cl. 14-02

[52] U.S. Cl. D14/109

[58] Field of Search D14/100, 102, D14/107-109, 156; D13/162, 184, 199; 360/97.01, 97.04, 98.01, 99.01, 99.12, 99.04, 99.09, 133, 900; 369/226

[56] References Cited

U.S. PATENT DOCUMENTS

- D. 372,022 7/1996 Sawada et al. D14/109
- 4,481,552 11/1984 Dona et al. 360/97

- 4,974,103 11/1990 Ifikar et al. 360/97.01
- 5,053,903 10/1991 Harney et al. 360/99.06
- 5,175,657 12/1992 Ifikar et al. 360/98.01
- 5,235,481 8/1993 Kamo et al. 360/97.01
- 5,282,099 1/1994 Kawagoe et al. 360/97.01

Primary Examiner—Freda Nunn
Attorney, Agent, or Firm—D. A. Shifrin

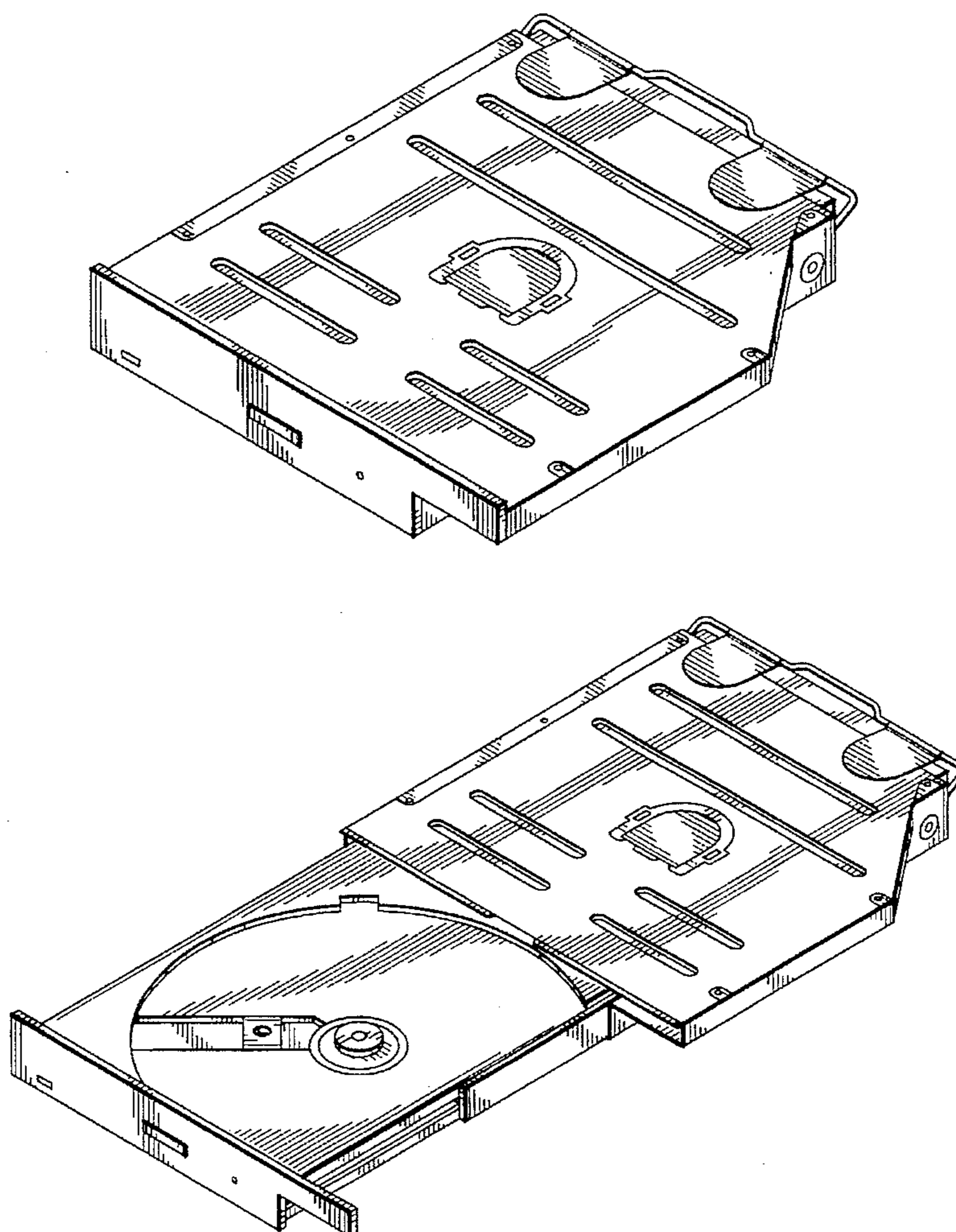
[57] CLAIM

The ornamental design for an internal CD-ROM drive for a personal computer, as shown and described.

DESCRIPTION

FIG. 1 is a top front and right side perspective view of an internal CD-ROM drive for personal computer;
 FIG. 2 is a top front and right side perspective view thereof, with a disk loading tray in an extended position;
 FIG. 3 is a front elevational view thereof;
 FIG. 4 is a top plan view thereof;
 FIG. 5 is a rear elevational view thereof;
 FIG. 6 is a bottom plan view thereof;
 FIG. 7 is a left side elevational view thereof; and,
 FIG. 8 is a right side elevational view thereof.

1 Claim, 3 Drawing Sheets



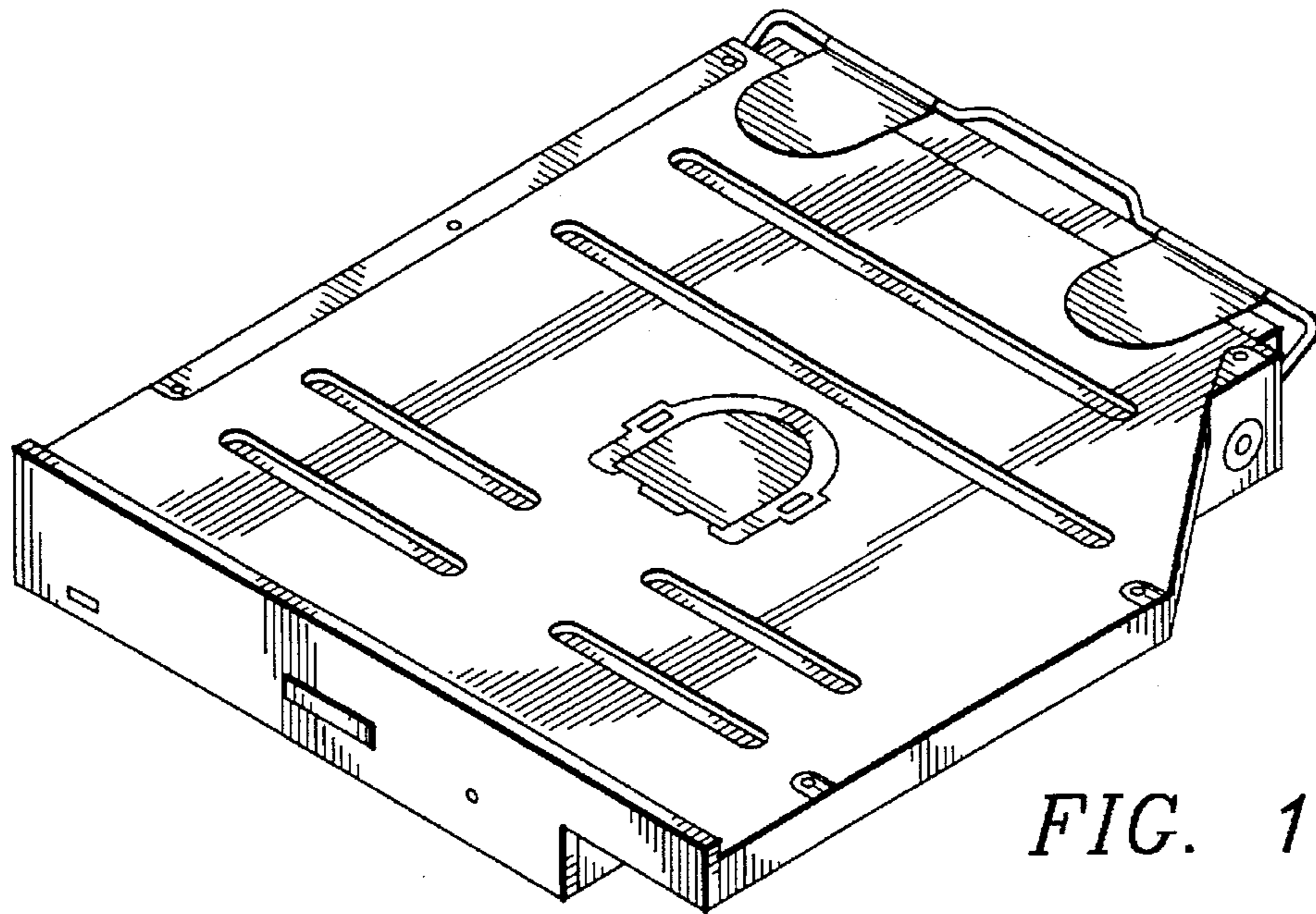


FIG. 1

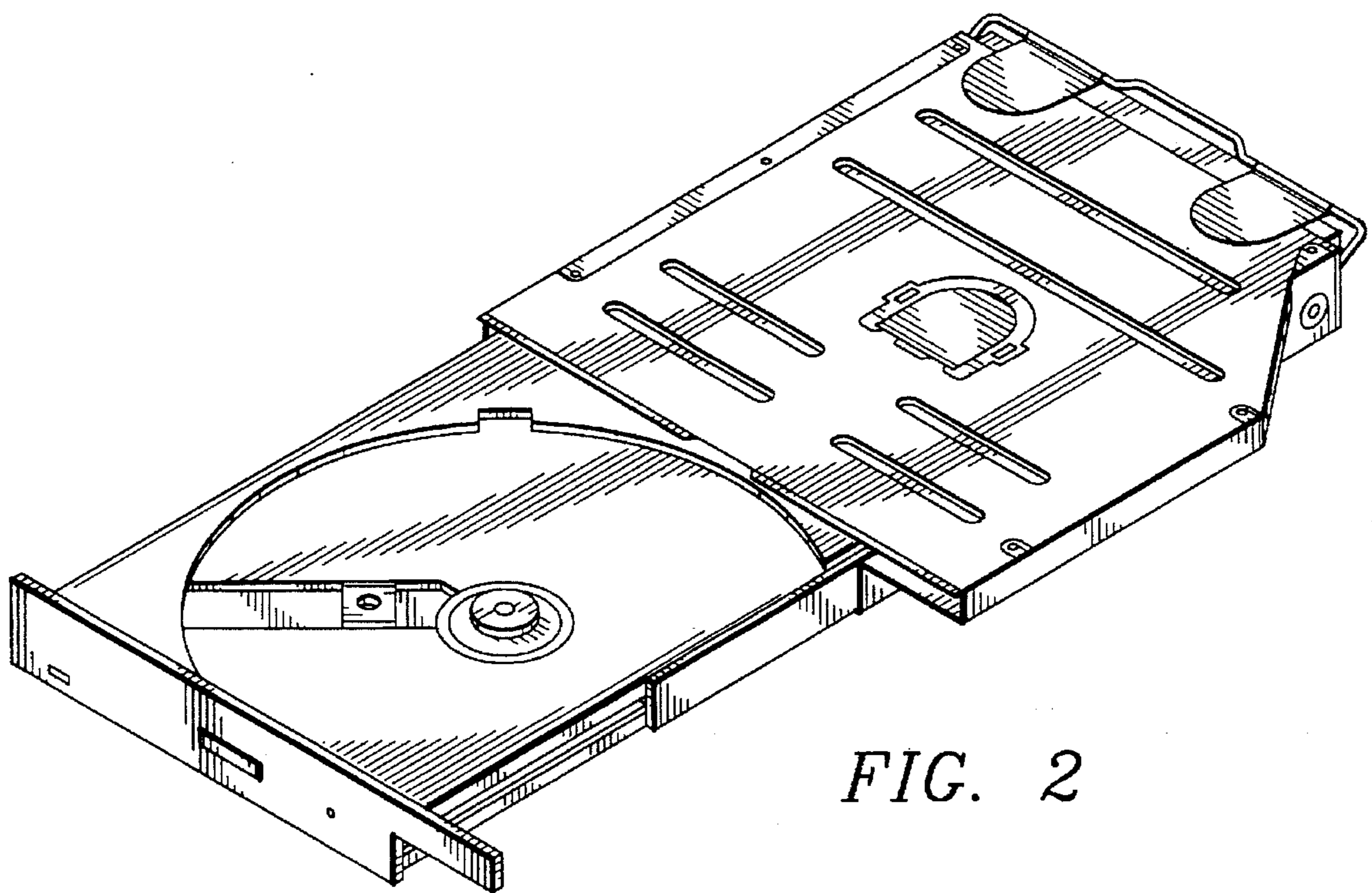


FIG. 2

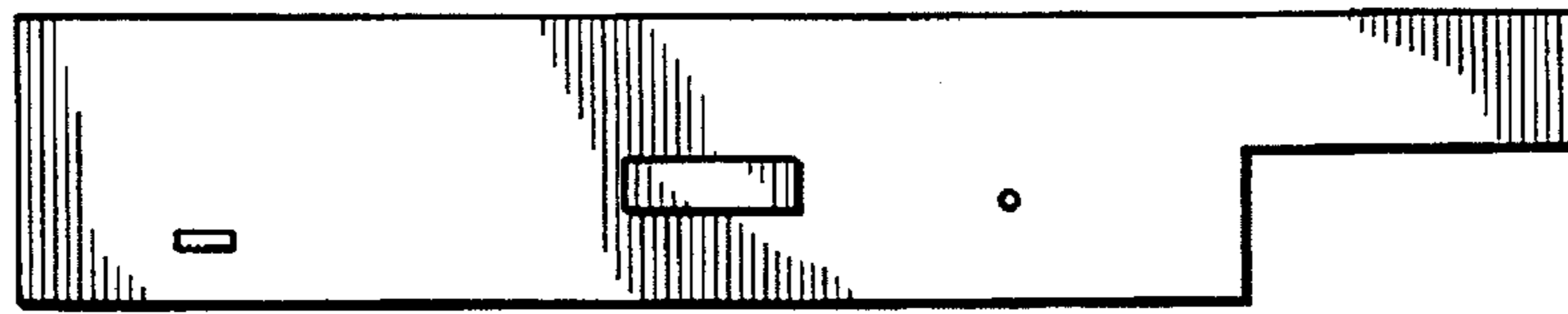


FIG. 3

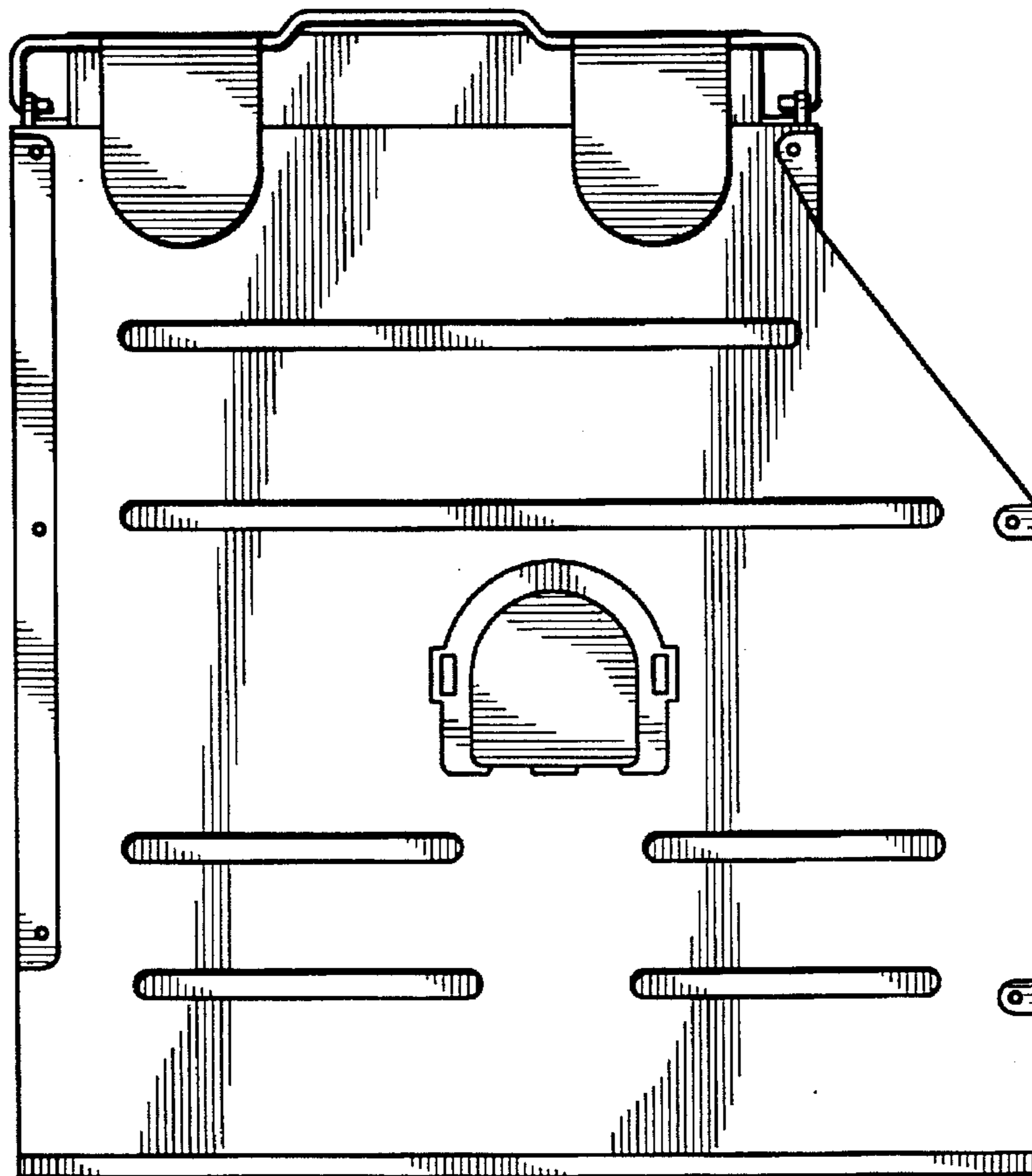


FIG. 4

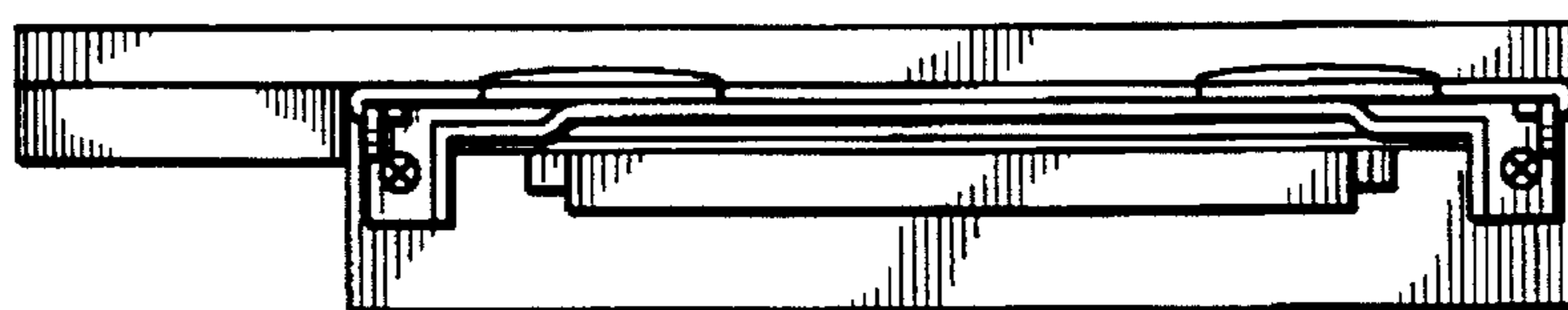


FIG. 5

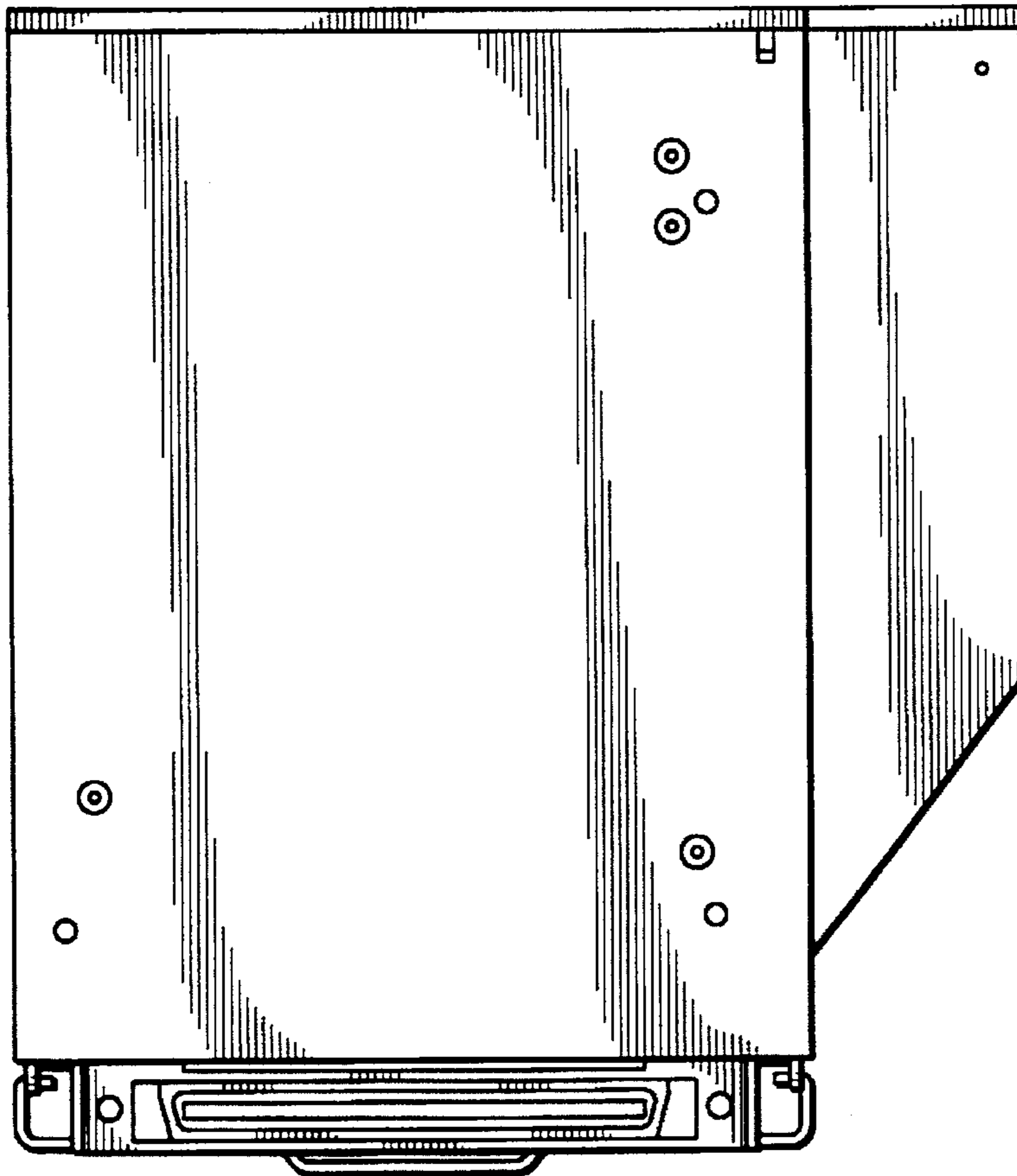


FIG. 6



FIG. 7

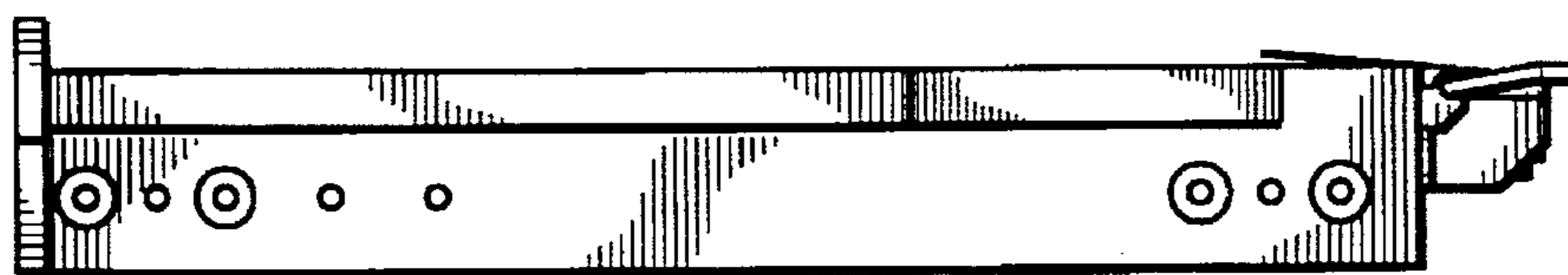


FIG. 8