



US00D382862S

# United States Patent [19]

[11] Patent Number: Des. 382,862

Nakayama et al.

[45] Date of Patent: \*\*Aug. 26, 1997

[54] **SENSOR PLATE FOR A FINGERPRINT IDENTIFYING MACHINE**

5,193,855 3/1993 Shamos ..... 283/68 X

[75] Inventors: **Akihito Nakayama; Mitsuo Sakamoto**, both of Tokyo, Japan

### OTHER PUBLICATIONS

Business Week May 10, 1969 p. 151 New Products Identimat System by Sibany Mfg. Corp.

[73] Assignee: **Sony Corporation**, Tokyo, Japan

*Primary Examiner*—Freda Nunn  
*Attorney, Agent, or Firm*—Foley & Lardner

[\*\*] Term: **14 Years**

### [57] CLAIM

[21] Appl. No.: **52,148**

The ornamental design for a sensor plate for a fingerprint identifying machine, as shown and described.

[22] Filed: **Mar. 25, 1996**

### DESCRIPTION

[51] LOC (6) Cl. .... **14-02**

[52] U.S. Cl. .... **D14/107**

[58] **Field of Search** ..... D14/105, 107, D14/114; 356/71; 382/124, 126, 116, 181, 312; 283/68, 69, 70, 72, 74, 75, 78; 235/380, 382, 382.5; 118/31.5

FIG. 1 is a perspective view of a sensor plate for a fingerprint identifying machine showing our new design;

FIG. 2 is a perspective view thereof in the using condition;

FIG. 3 is a top plan view thereof;

FIG. 4 is a left side elevational view thereof;

FIG. 5 is a front elevational view thereof; and,

FIG. 6 is a right side elevational view thereof.

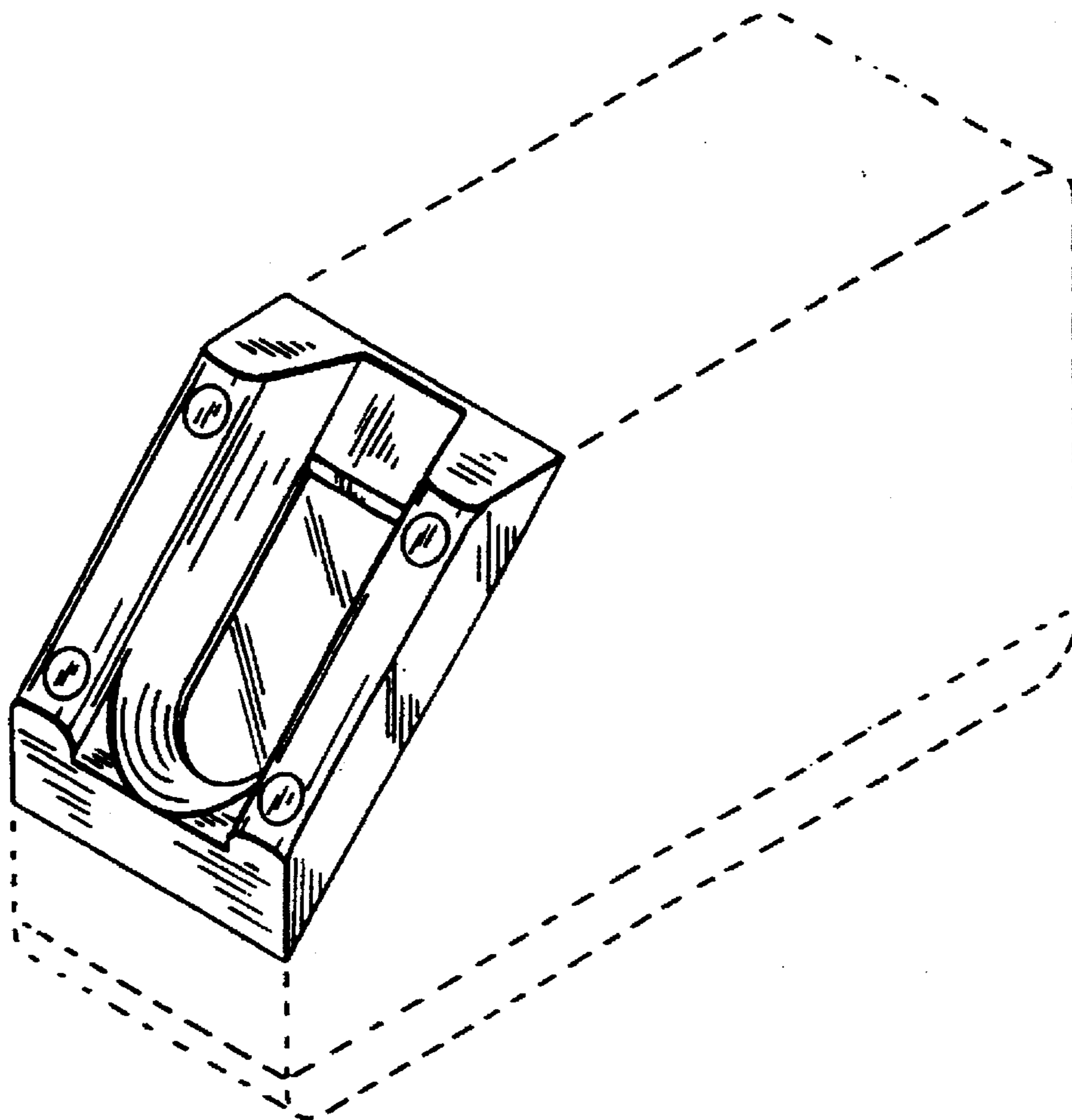
The base portion thereof shown in broken lines in FIGS. 1-6 and the hand portion shown in FIG. 2 are for illustrative purposes only and form no part of the claimed design.

### [56] References Cited

#### U.S. PATENT DOCUMENTS

- D. 308,863 6/1990 Soren et al. .... D14/107
- D. 351,144 10/1994 Fishbine et al. .... D14/100 X
- D. 367,270 2/1996 Levering ..... D14/107

**1 Claim, 2 Drawing Sheets**



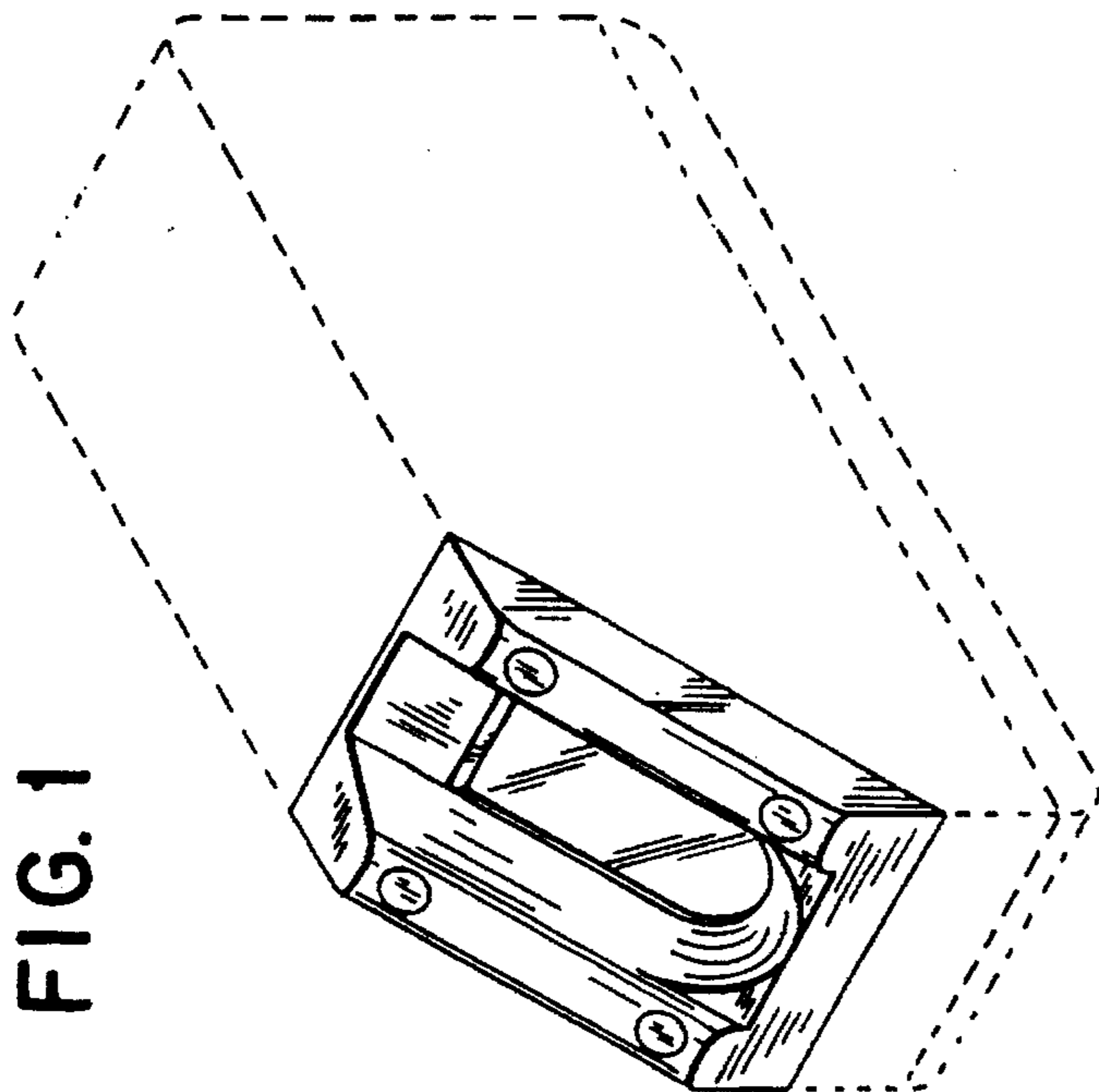
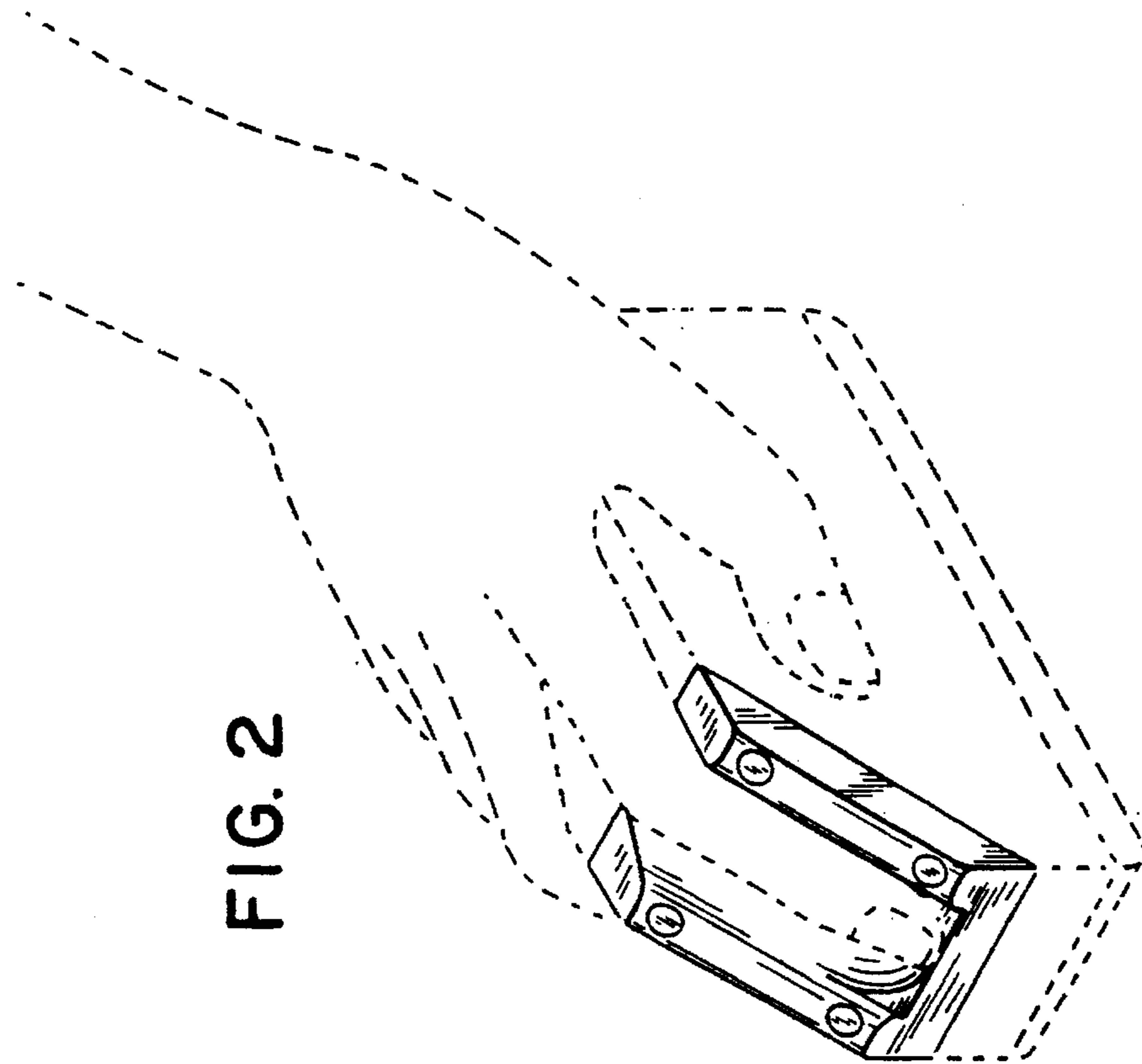


FIG. 3

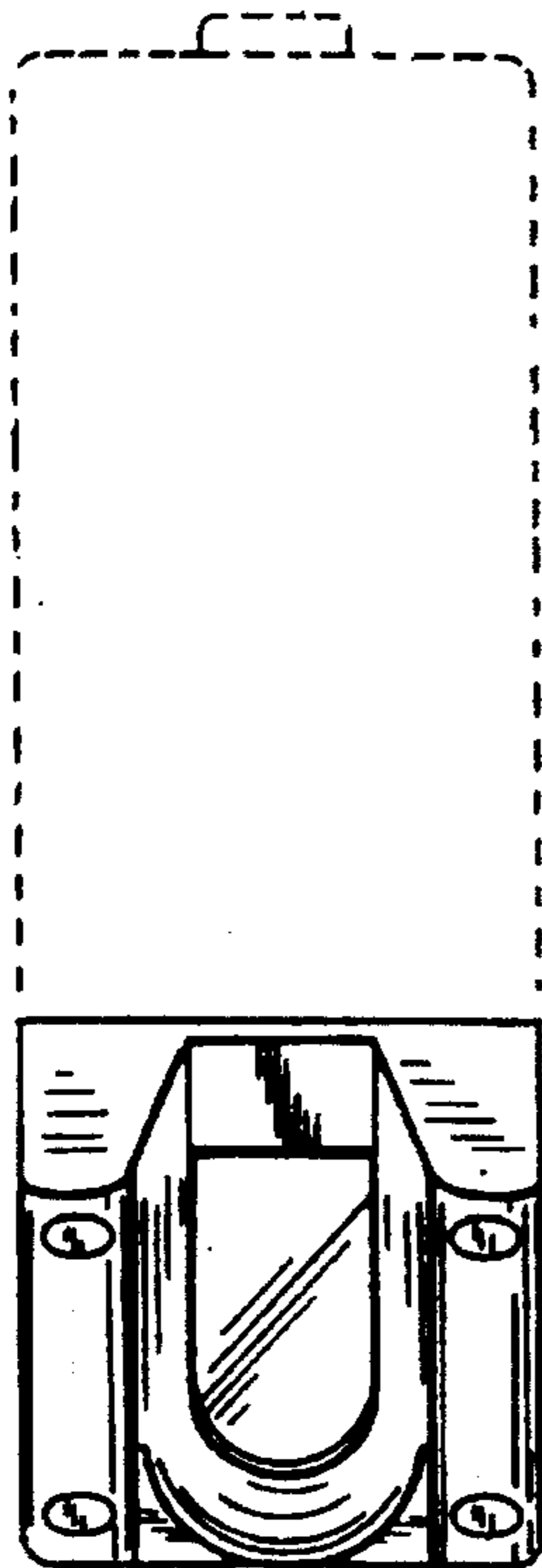


FIG. 4

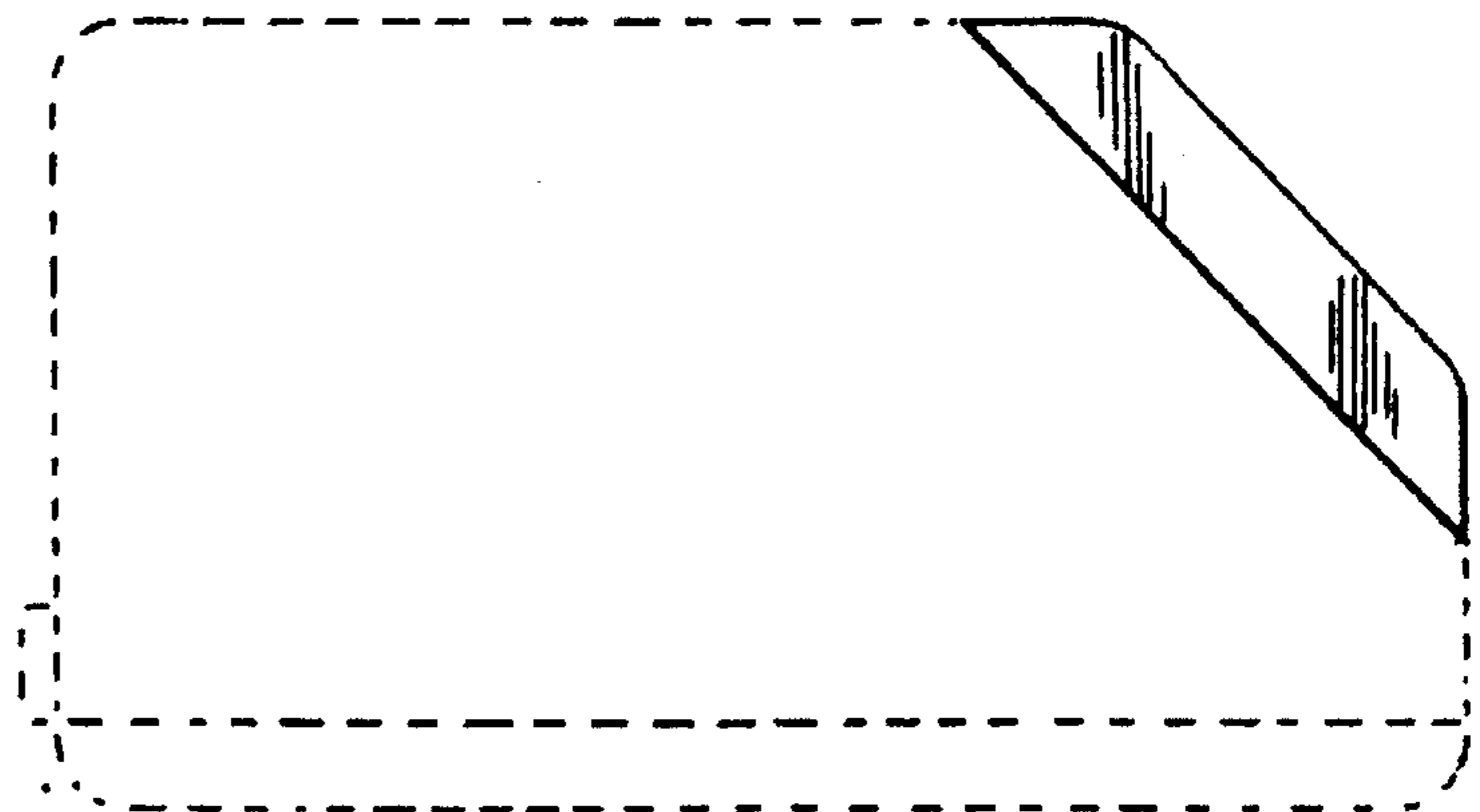


FIG. 5

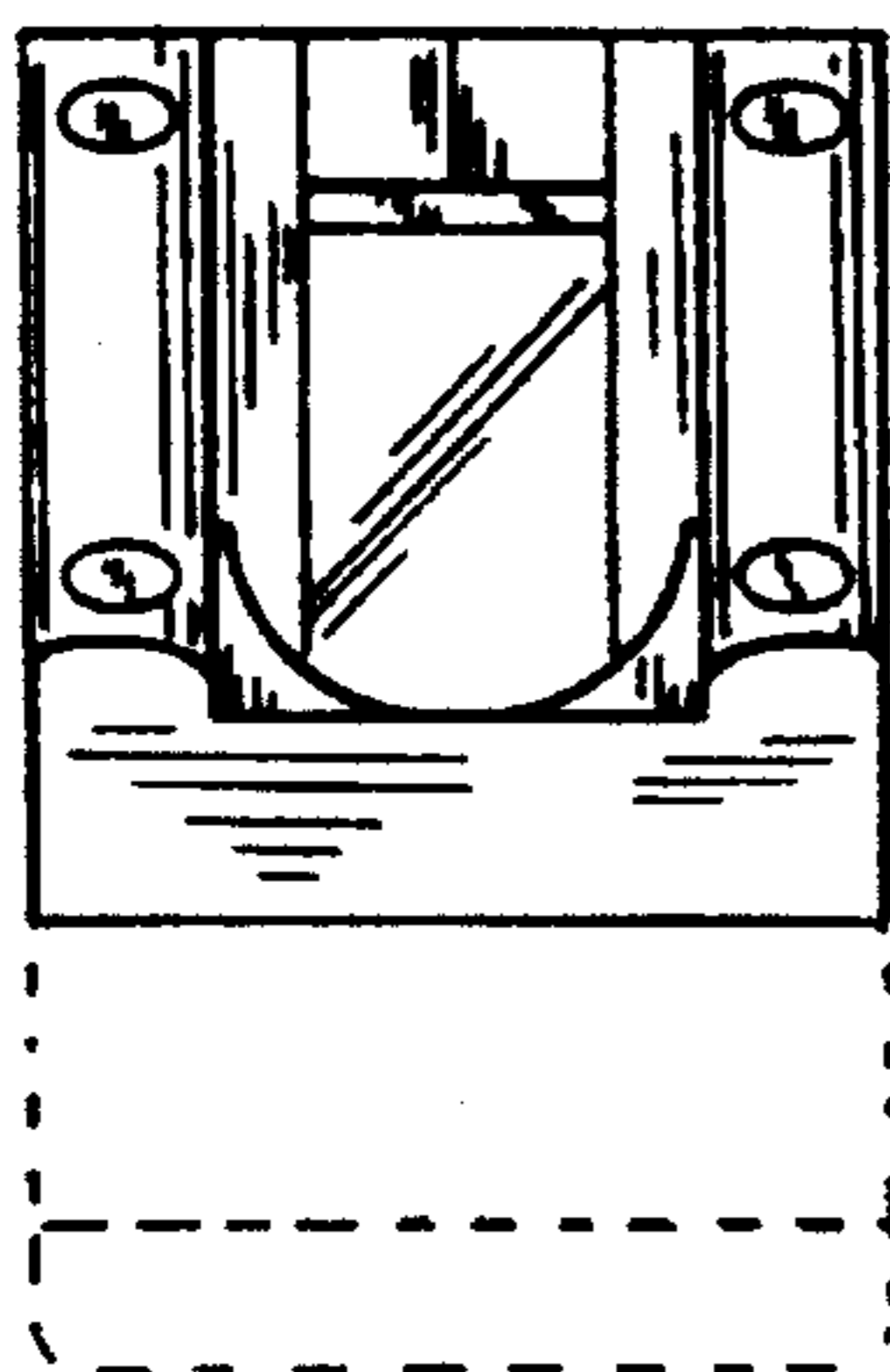
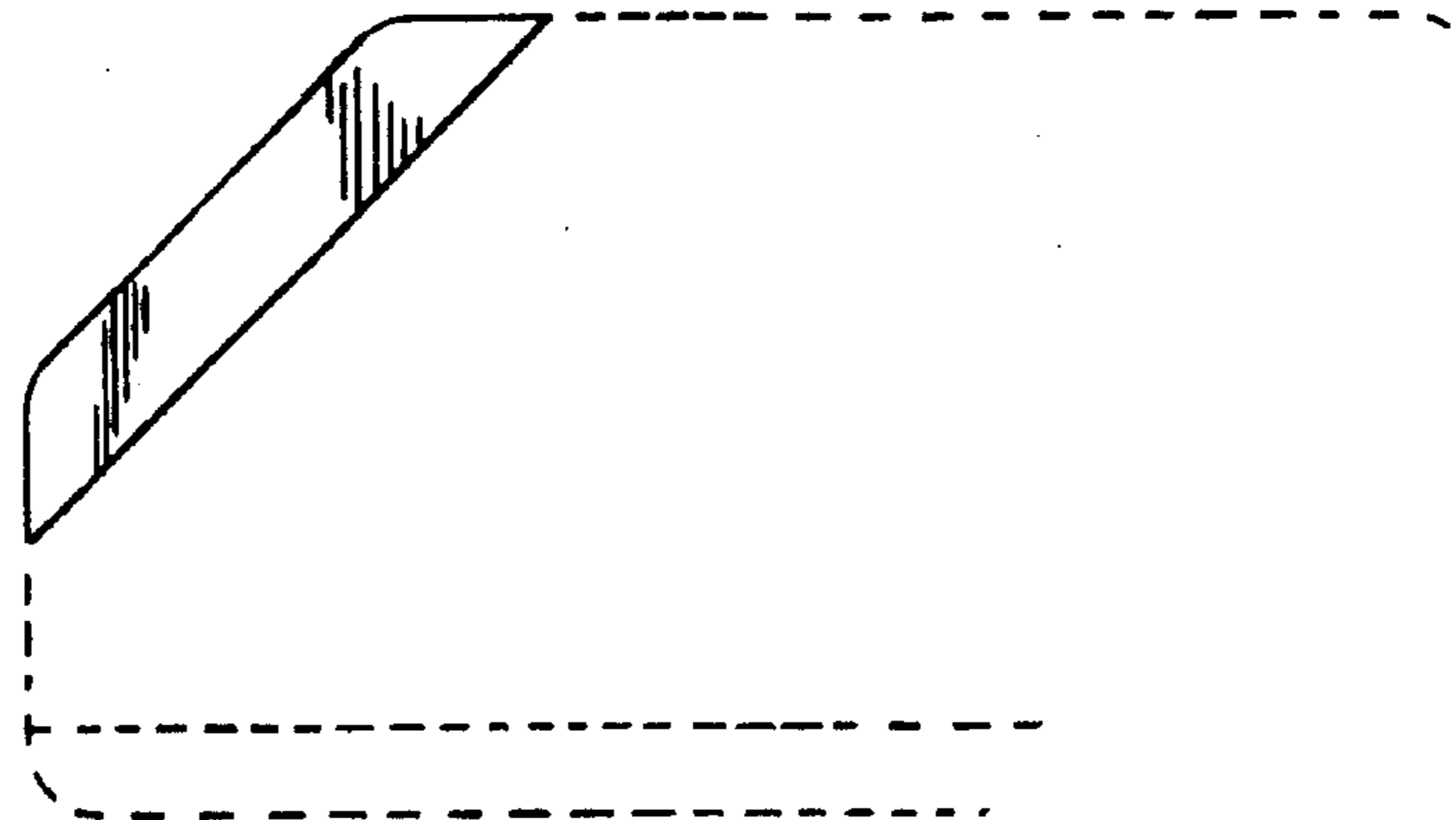


FIG. 6



UNITED STATES PATENT AND TRADEMARK OFFICE  
**CERTIFICATE OF CORRECTION**

PATENT NO. : Des. 382,862  
DATED : August 26, 1997  
INVENTOR(S) : Nakayama et al

It is certified that error appears in the above-identified patent and that said Letters Patent is hereby corrected as shown below:

On the title page: Item [30] Foreign Priority should read  
-- Sep.27,1995 [JP] Japan ..... 7-28797--

Signed and Sealed this  
Twenty-seventh Day of July, 1999

*Attest:*



Q. TODD DICKINSON

*Attesting Officer*

*Acting Commissioner of Patents and Trademarks*