



US00D382860S

United States Patent [19]

[11] Patent Number: Des. 382,860

Kondo

[45] Date of Patent: **Aug. 26, 1997

[54] INFORMATION REPRODUCER FOR COMPACT DISKS

FOREIGN PATENT DOCUMENTS

[75] Inventor: Osamu Kondo, Tokyo, Japan

920538 2/1995 Japan .

[73] Assignee: Kabushiki Kaisha Toshiba, Kanagawa-ken, Japan

OTHER PUBLICATIONS

"CXA-300" Midori Electronics, Dec. 27, 1993.

[**] Term: 14 Years

Primary Examiner—Freda Nunn
Attorney, Agent, or Firm—Banner & Witcoff, Ltd.

[21] Appl. No.: 41,676

[57] CLAIM

[22] Filed: Jul. 21, 1995

The ornamental design for an information reproducer for compact disks, as shown and described.

[30] Foreign Application Priority Data

DESCRIPTION

Jan. 26, 1995 [JP] Japan 7-1639

FIG. 1 is a top, front and right side perspective view of an information reproducer for compact disks;
FIG. 2 is a front elevational view thereof;
FIG. 3 is a rear elevational view thereof;
FIG. 4 is a top plan view thereof;
FIG. 5 is a bottom plan view thereof;
FIG. 6 is a right side elevational view thereof, the left side being a mirror image; and,
FIG. 7 is a top, front and right side perspective view thereof with the CD case being pulled out.

[51] LOC (6) Cl. 14-02

[52] U.S. Cl. D14/107; D14/124

[58] Field of Search D14/100, 107, D14/164, 108, 109, 162, 167, 168; D13/162, 184, 199; D10/46, 81; 360/99.12; 361/622, 724, 727; 369/33; 312/208.1

[56] References Cited

U.S. PATENT DOCUMENTS

D. 315,723 3/1991 Ito et al. D14/107 X
D. 360,883 8/1995 Ito et al. D14/107

1 Claim, 3 Drawing Sheets

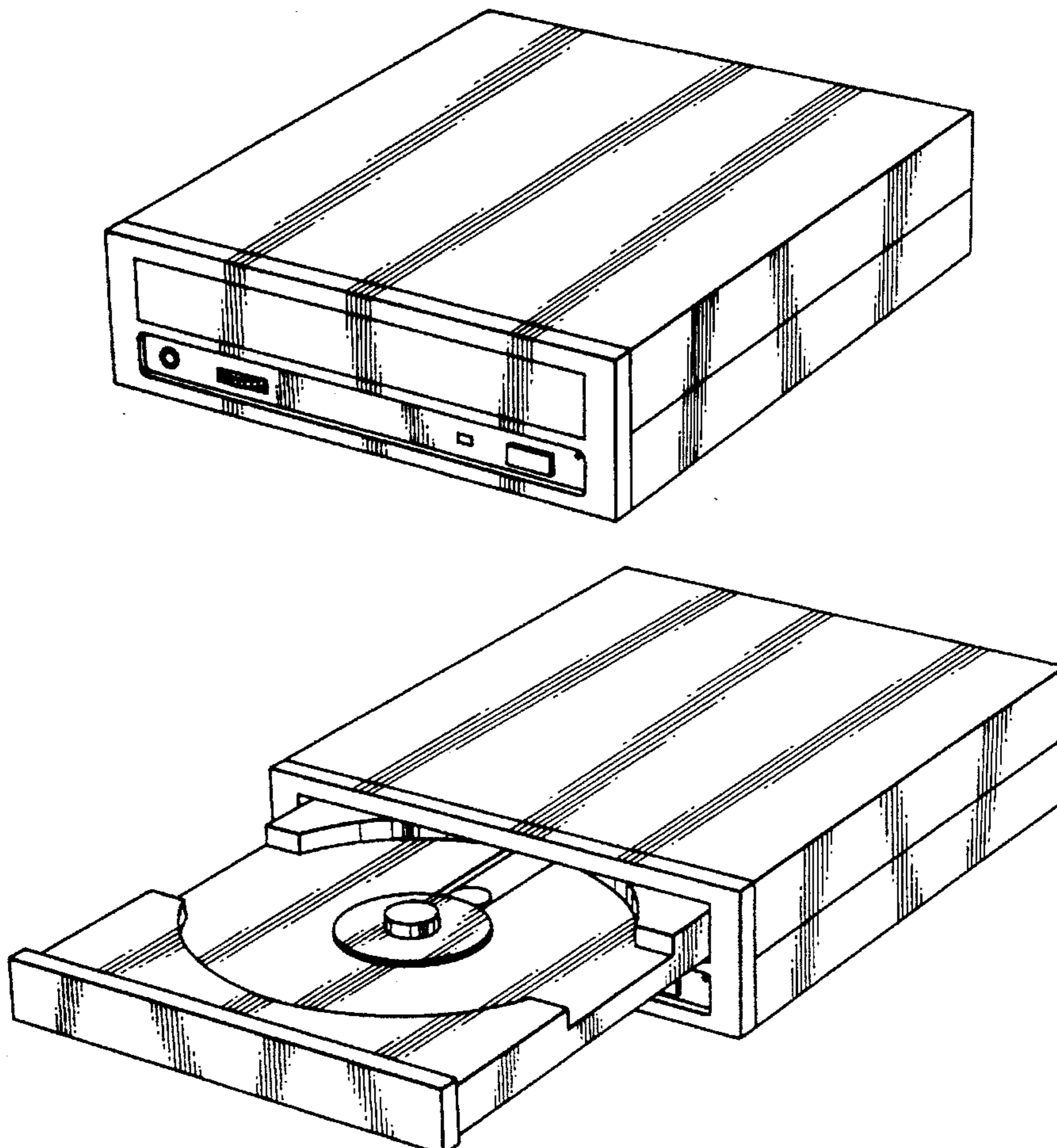


FIG. 1

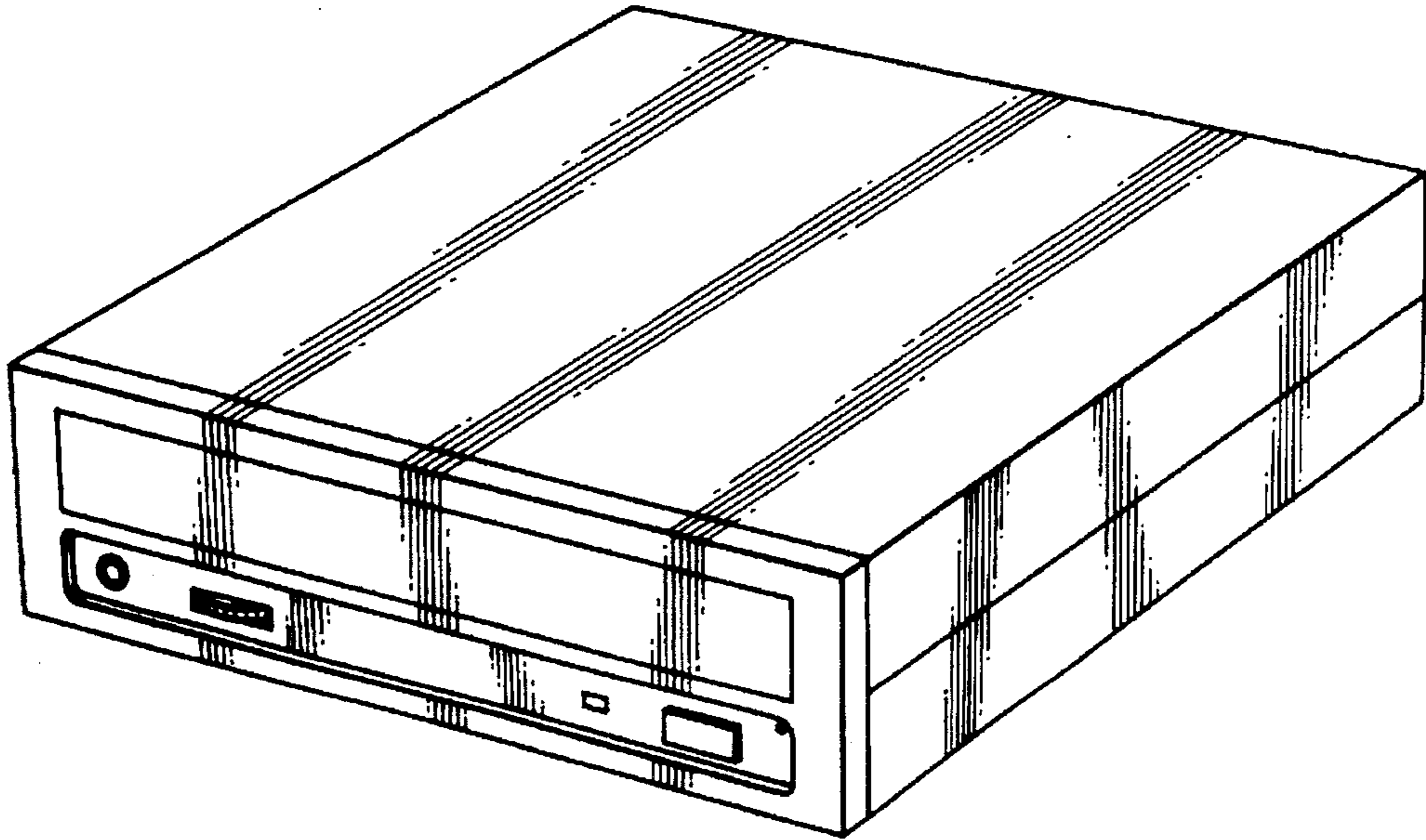


FIG. 2

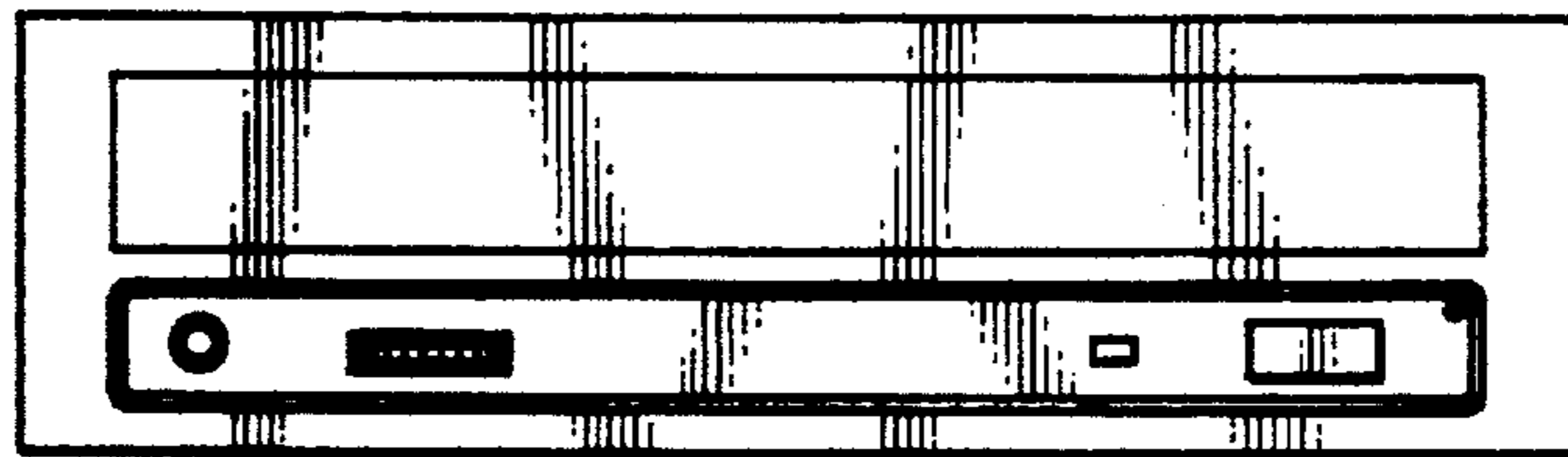


FIG. 3

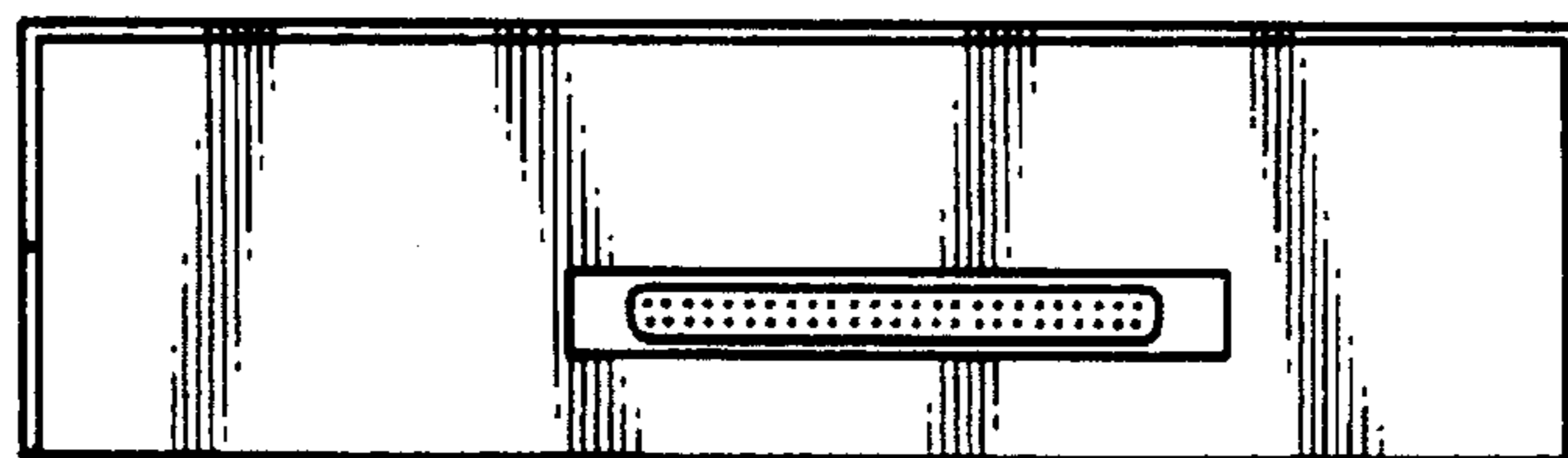


FIG. 4

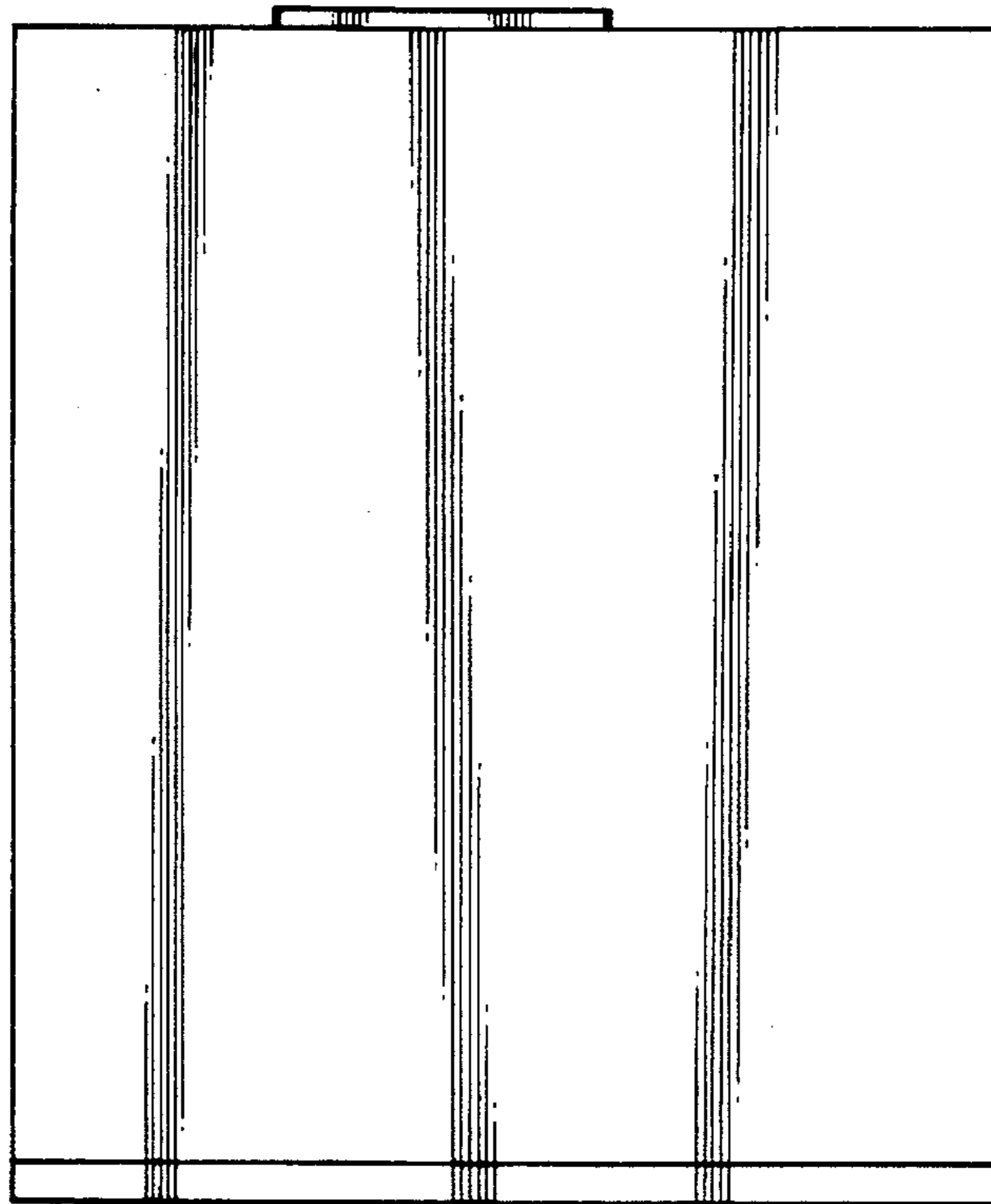


FIG. 5

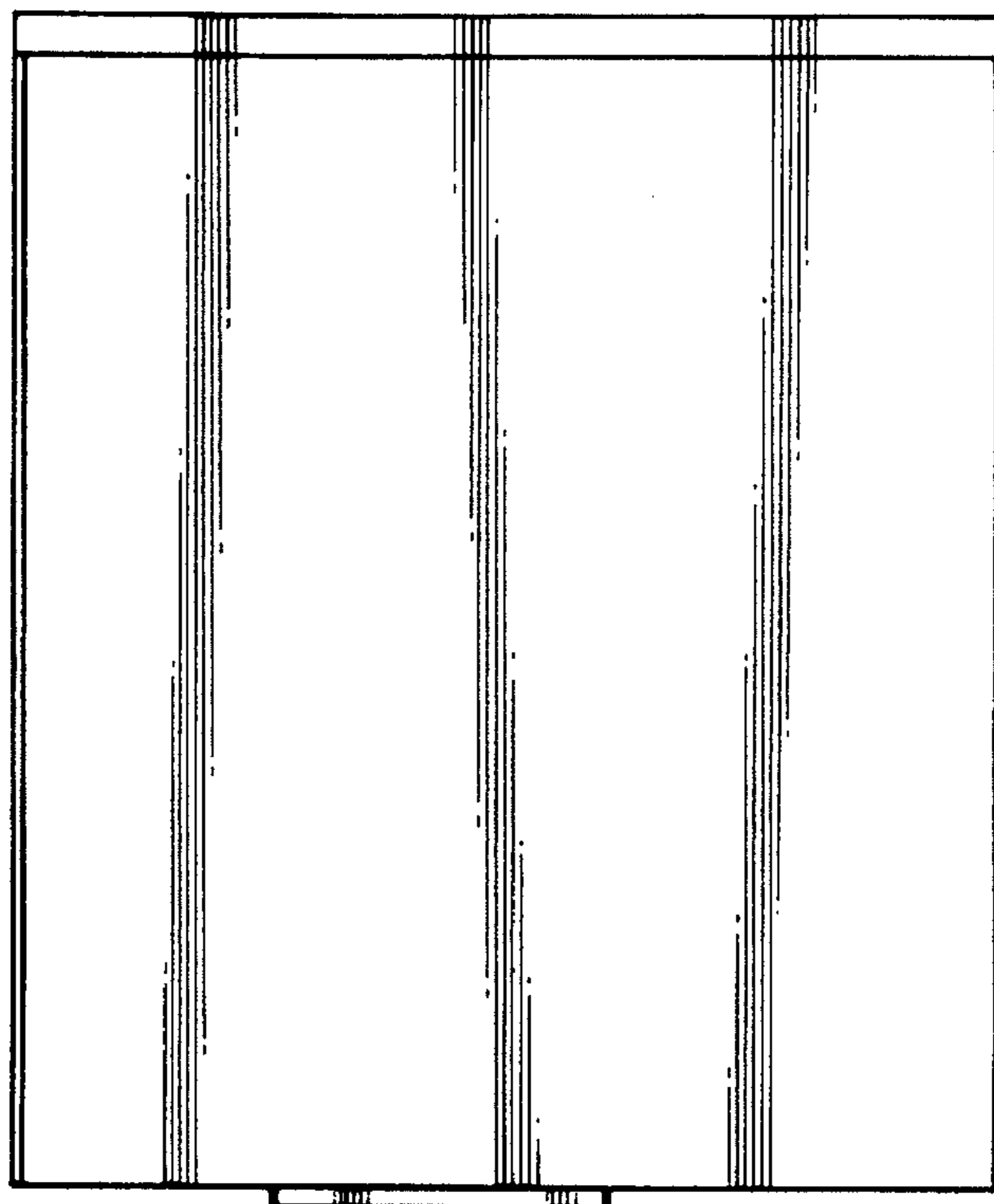


FIG.6

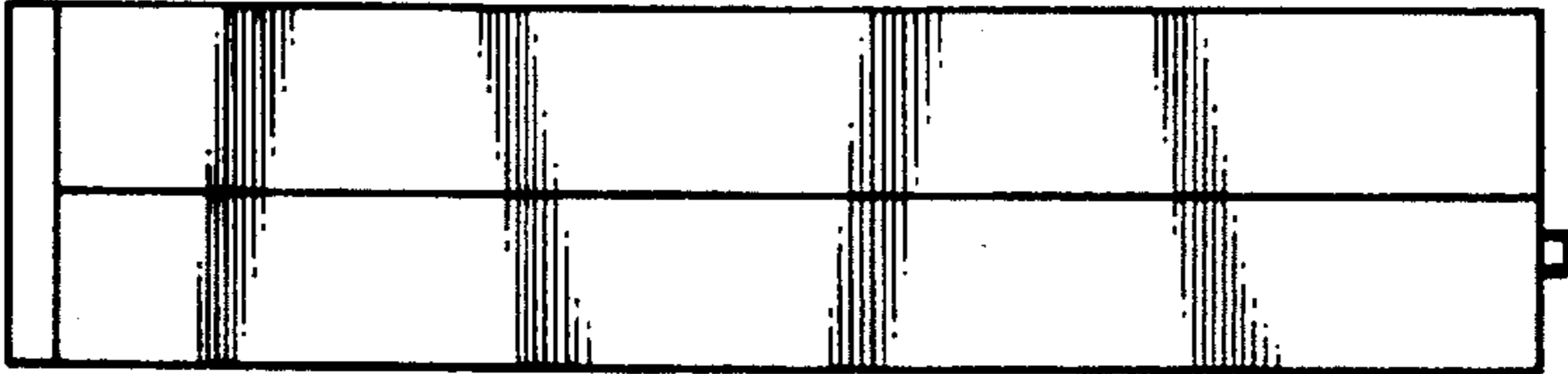


FIG.7

