



US00D382859S

# United States Patent [19]

Alfonso et al.

[11] Patent Number: **Des. 382,859**

[45] Date of Patent: **\*\*Aug. 26, 1997**

[54] **COMPUTER CASE**

D. 345,148 3/1994 Hong ..... D14/100  
D. 357,902 5/1995 Daniels ..... D14/100

[75] Inventors: **Pedro Marcos Alfonso**, Austin, Tex.;  
**Sean Joseph Kieley**, Cincinnati, Ohio;  
**Jeffrey Lustig Kline**, Austin, Tex.

*Primary Examiner*—Freda Nunn  
*Attorney, Agent, or Firm*—Richard A. Henkler

[73] Assignee: **International Business Machines Corporation**, Armonk, N.Y.

[57] **CLAIM**

[\*\*] Term: **14 Years**

The ornamental design for the computer case, as shown and described.

[21] Appl. No.: **54,241**

### DESCRIPTION

[22] Filed: **May 10, 1996**

FIG. 1 is a front, top, and right side perspective view of a computer case;

[51] LOC (6) Cl. .... **14-02**

[52] U.S. Cl. .... **D14/100; D14/109**

FIG. 2 is a front view thereof;

[58] **Field of Search** ..... D14/100, 102,

D14/107-109; D13/162, 184, 199; D6/432, 436, 445, 448; 312/208.1, 254, 292; 360/99.12; 361/694, 696

FIG. 3 is a rear view thereof;

FIG. 4 is a top plan view thereof;

FIG. 5 is a bottom plan view thereof;

FIG. 6 is a left side view thereof; and,

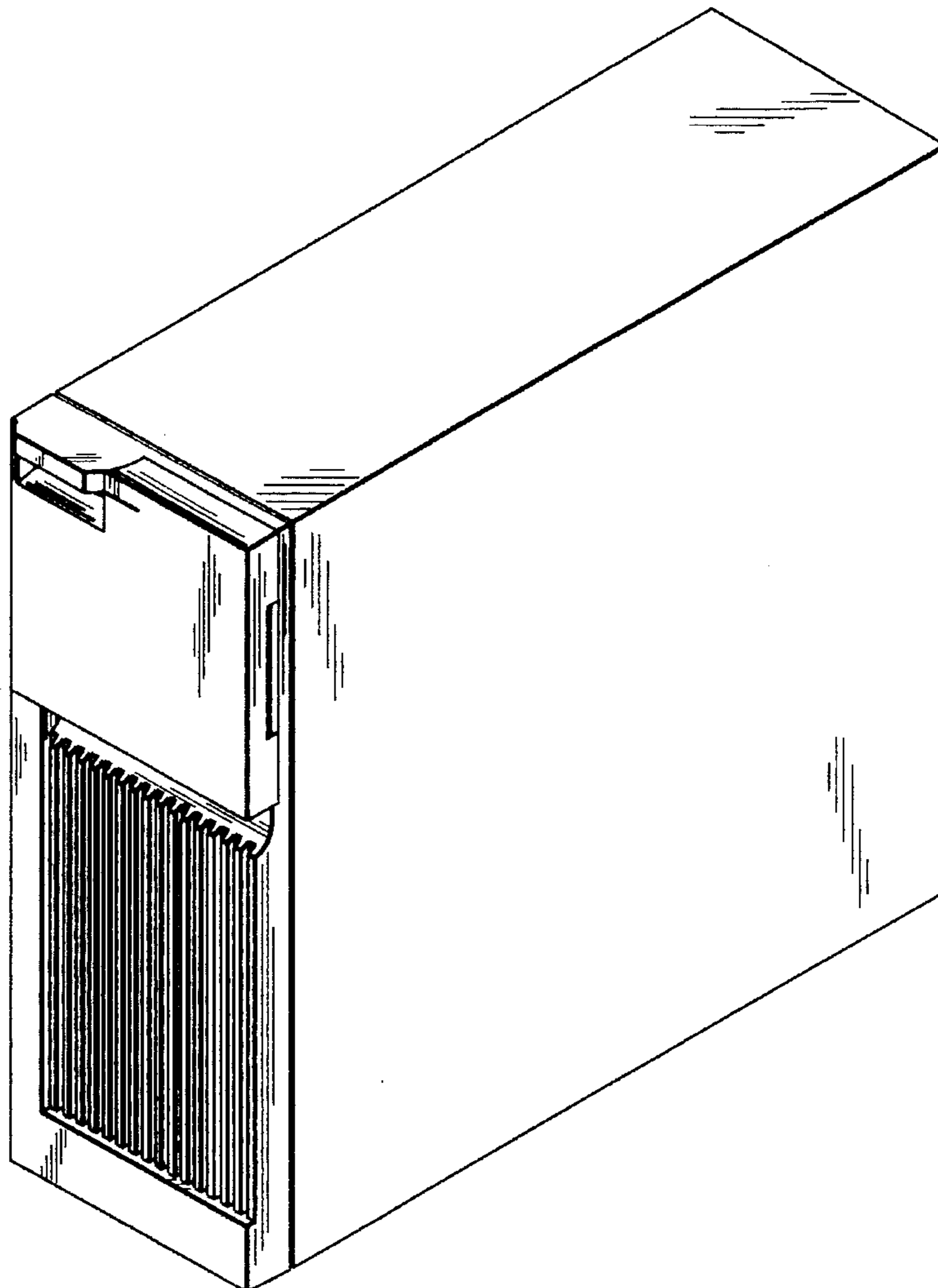
FIG. 7 is a right side view thereof.

[56] **References Cited**

#### U.S. PATENT DOCUMENTS

D. 342,488 12/1993 Kuzumoto et al. .... D14/109

**1 Claim, 5 Drawing Sheets**



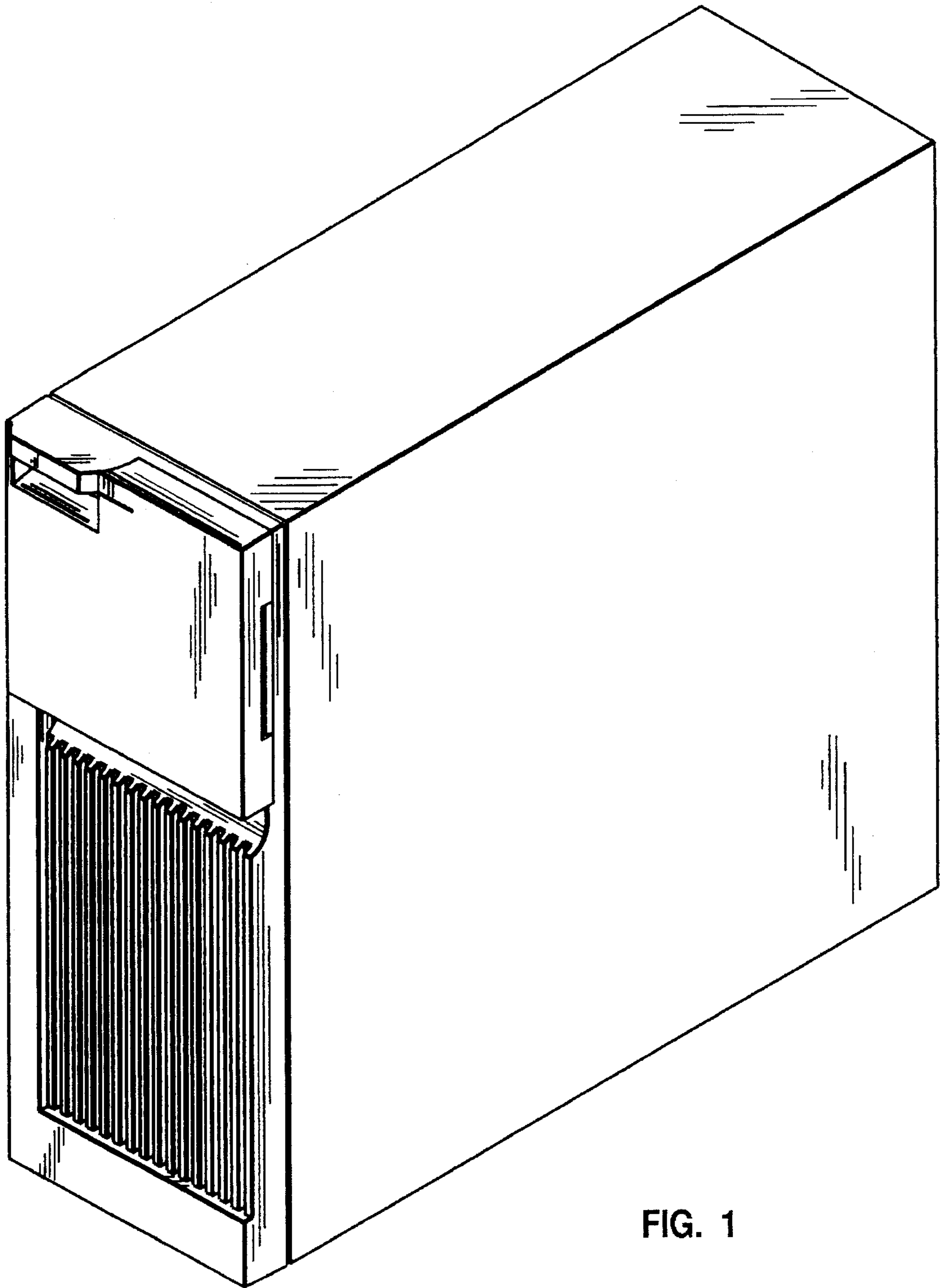


FIG. 1

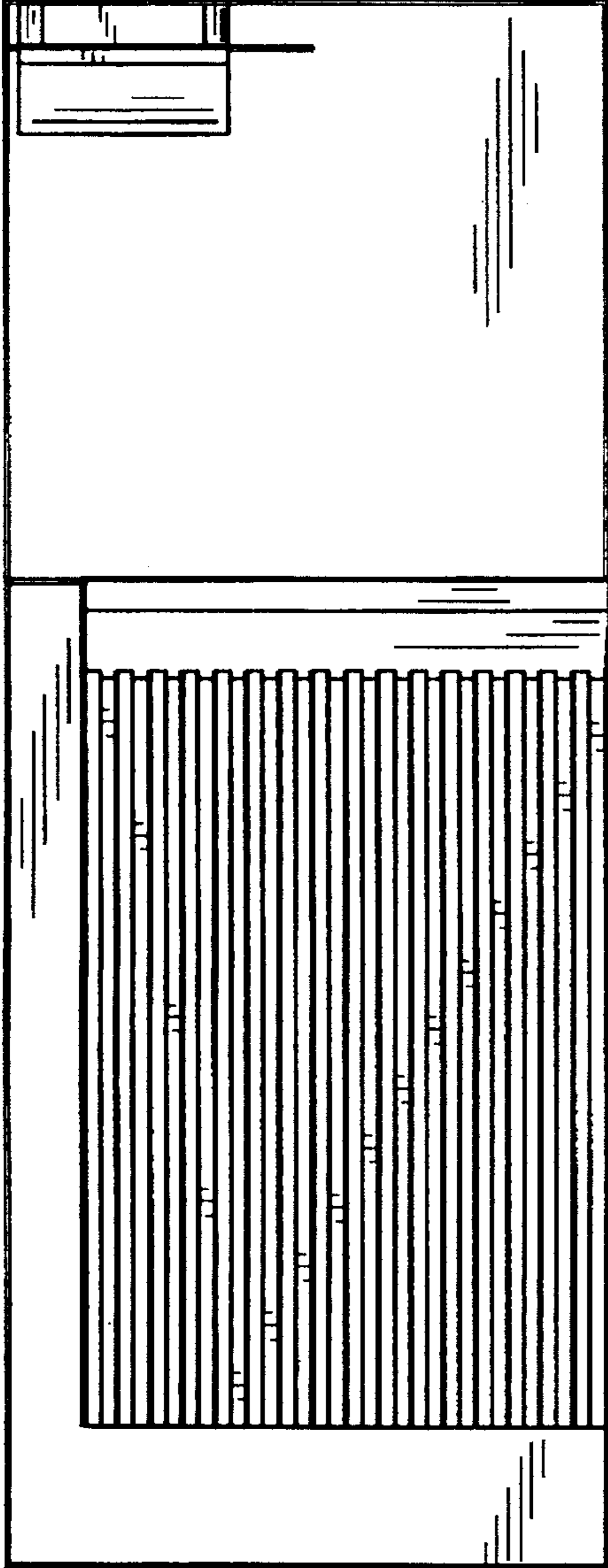


FIG. 2

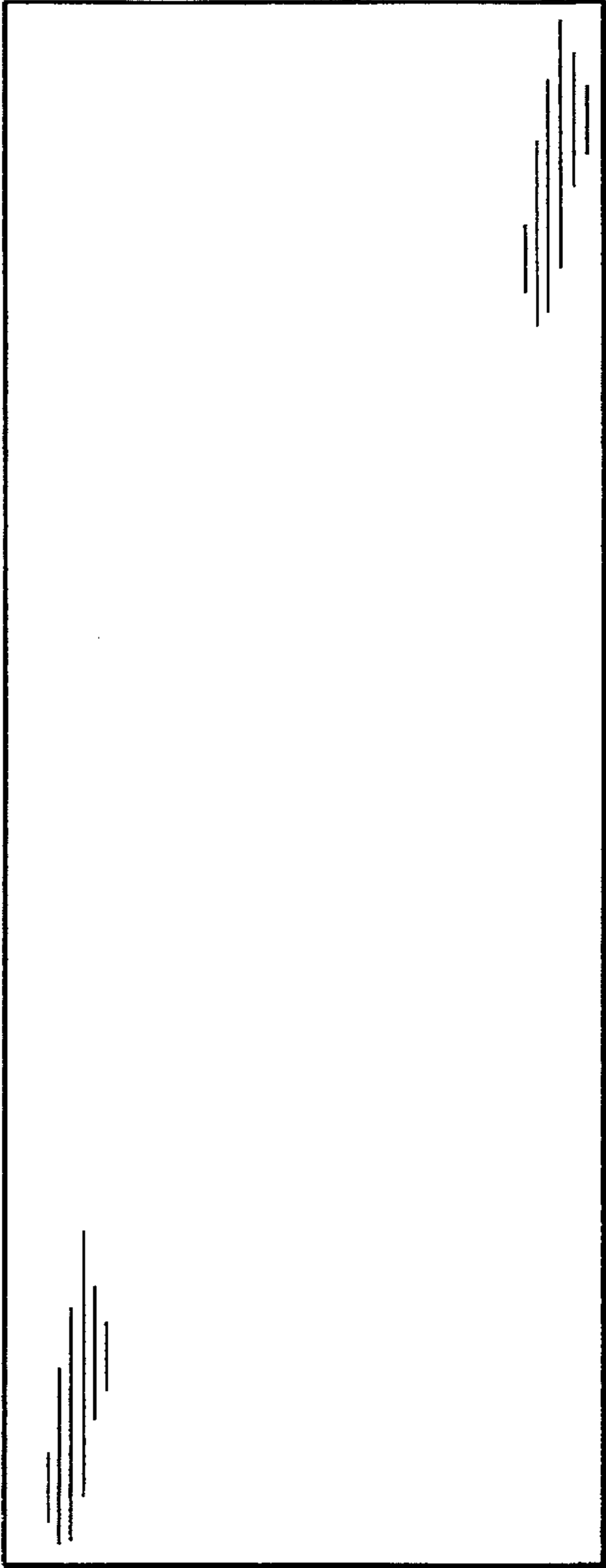


FIG. 3

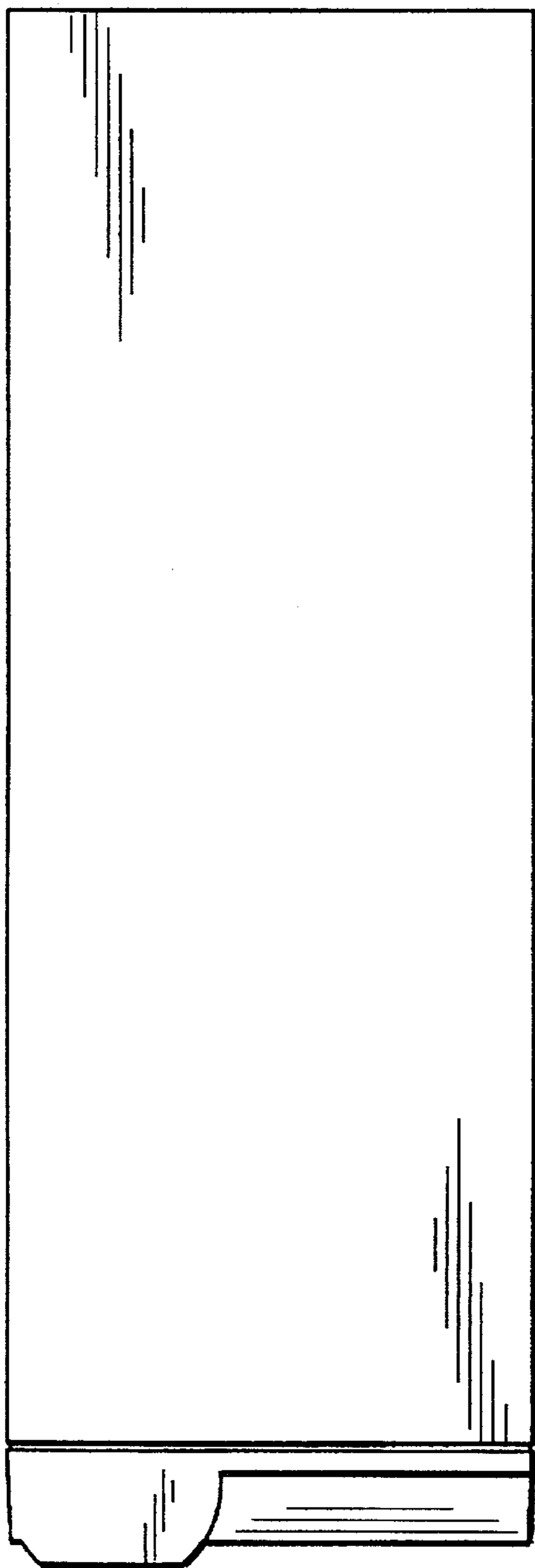


FIG. 4

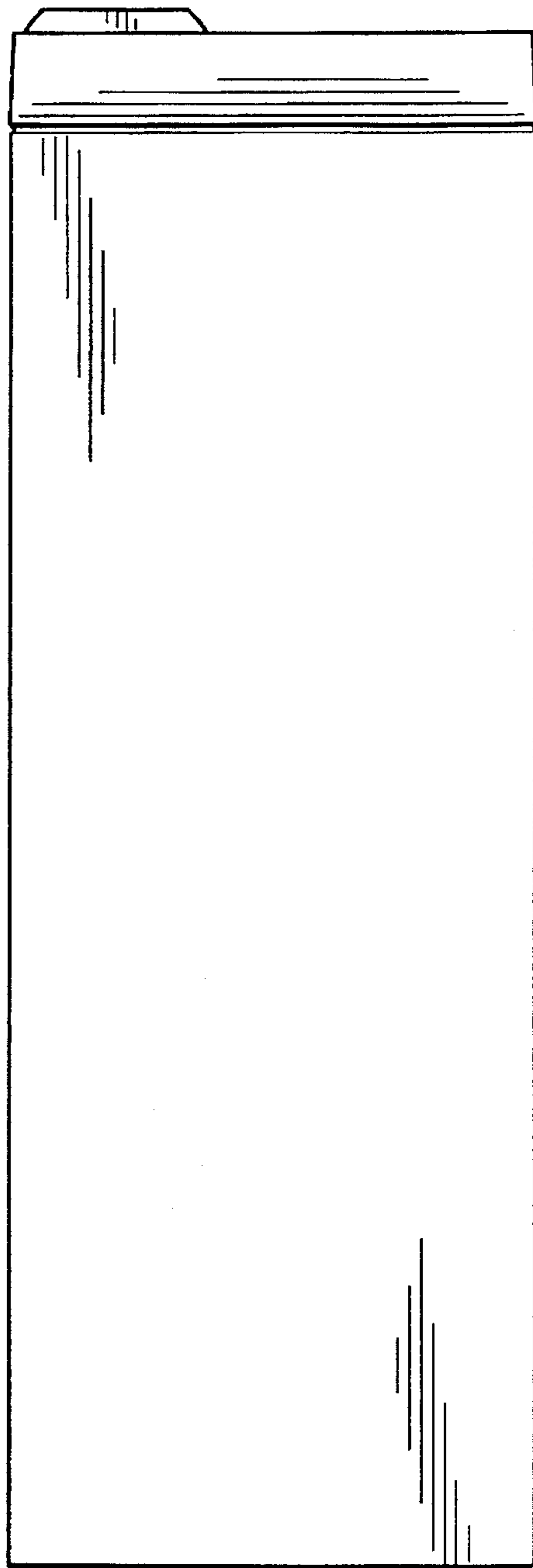


FIG. 5

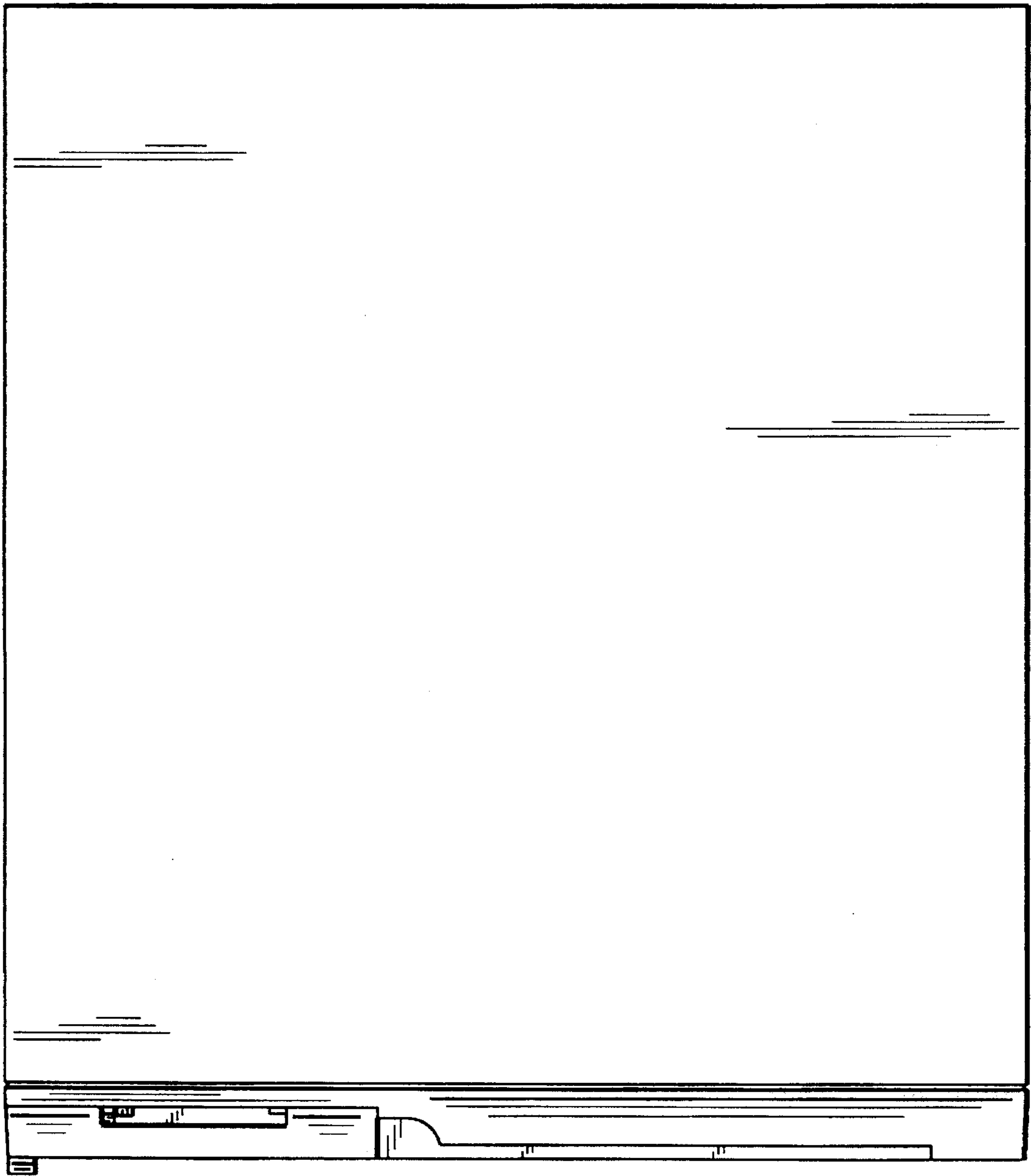


FIG. 6

FIG. 7

