



US00D382852S

United States Patent [19] Takahashi

[11] Patent Number: **Des. 382,852**

[45] Date of Patent: ****Aug. 26, 1997**

[54] **PORTABLE BATTERY CHARGER**

D. 343,381 1/1994 Inukai et al. D13/107
D. 369,343 4/1996 Bliven D13/108

[75] Inventor: **Tomoyuki Takahashi**, Fujisawa, Japan

Primary Examiner—Joel Sincavage

[73] Assignee: **International Business Machines Corporation**, Armonk, N.Y.

[57] **CLAIM**

[**] Term: **14 Years**

The ornamental design for a portable battery charger, as shown and described.

[21] Appl. No.: **43,410**

DESCRIPTION

[22] Filed: **Sep. 1, 1995**

[30] **Foreign Application Priority Data**

FIG. 1 is a perspective view of the portable battery charger showing our new design;

Mar. 3, 1995 [JP] Japan 7-5996

FIG. 2 is a front elevation view thereof;

[51] LOC (6) Cl. **13-02**

FIG. 3 is a rear elevation view thereof;

[52] U.S. Cl. **D13/107**

FIG. 4 is a left side elevation view thereof;

[58] Field of Search D13/107, 108;
D14/149, 151; 320/2, 3, 4, 15

FIG. 5 is a right side elevation view thereof;

FIG. 6 is a top plan view thereof; and,

FIG. 7 is a bottom plan view thereof.

[56] **References Cited**

U.S. PATENT DOCUMENTS

D. 333,651 3/1993 Ito et al. D13/108

1 Claim, 4 Drawing Sheets

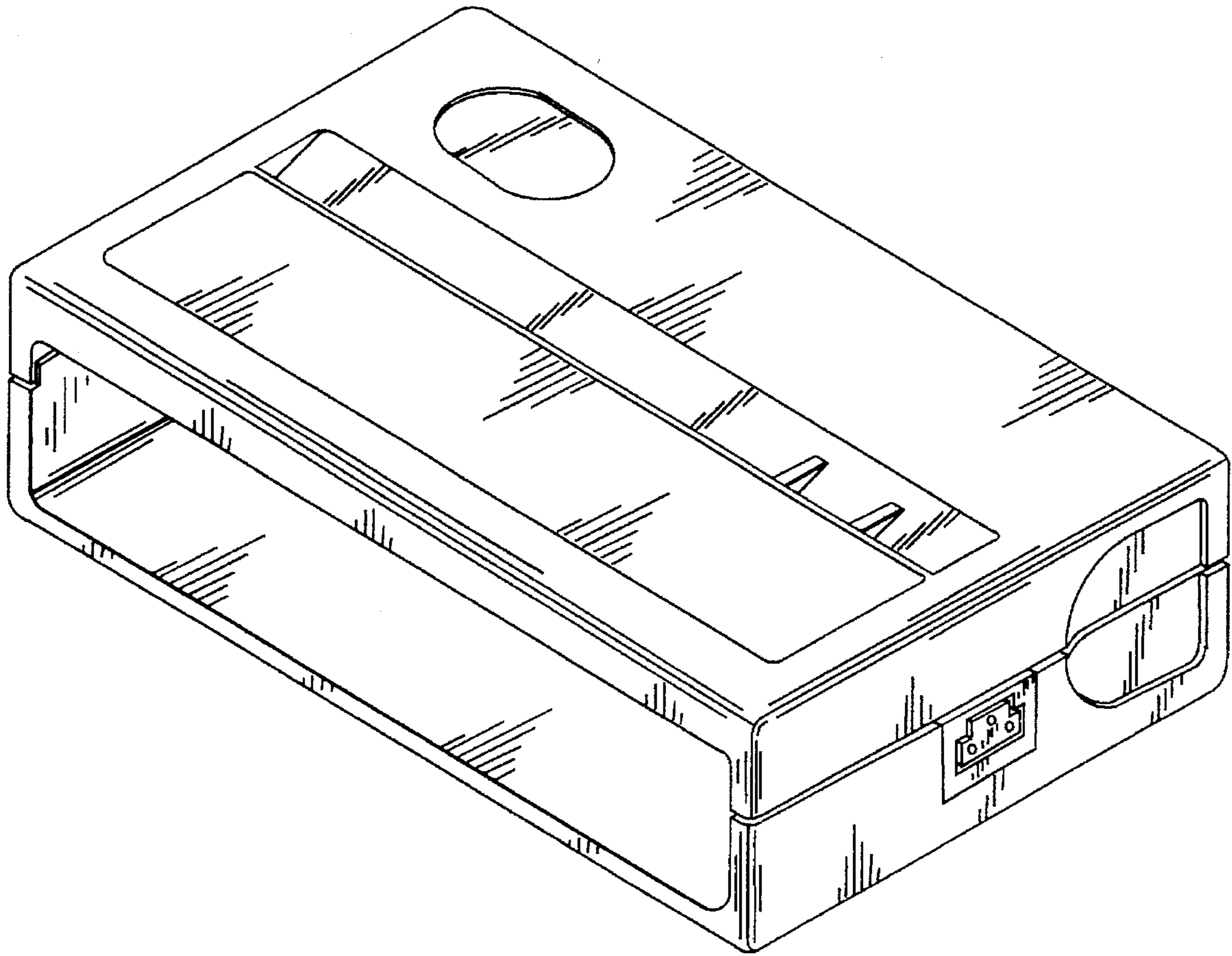


FIG. 1

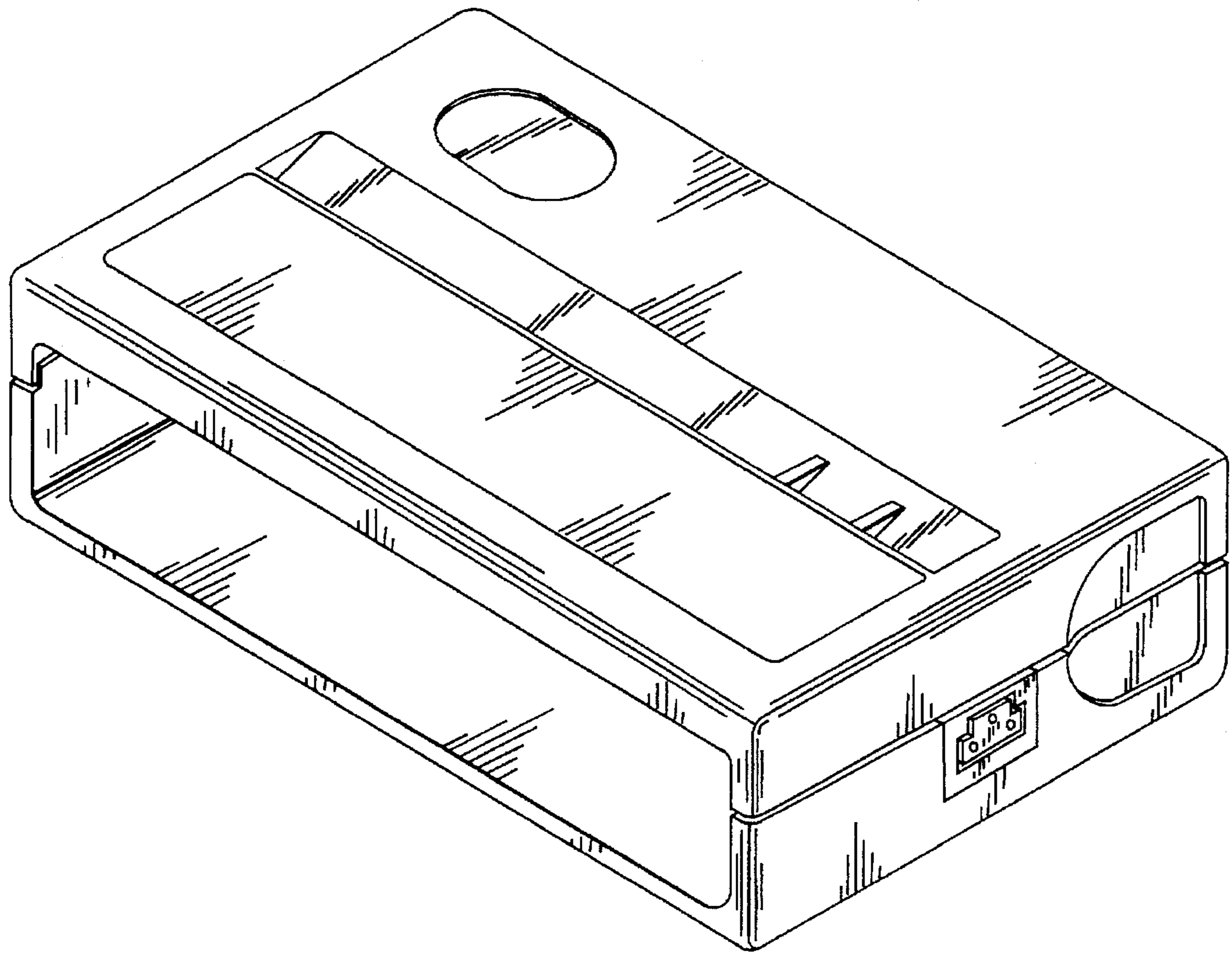


FIG. 2

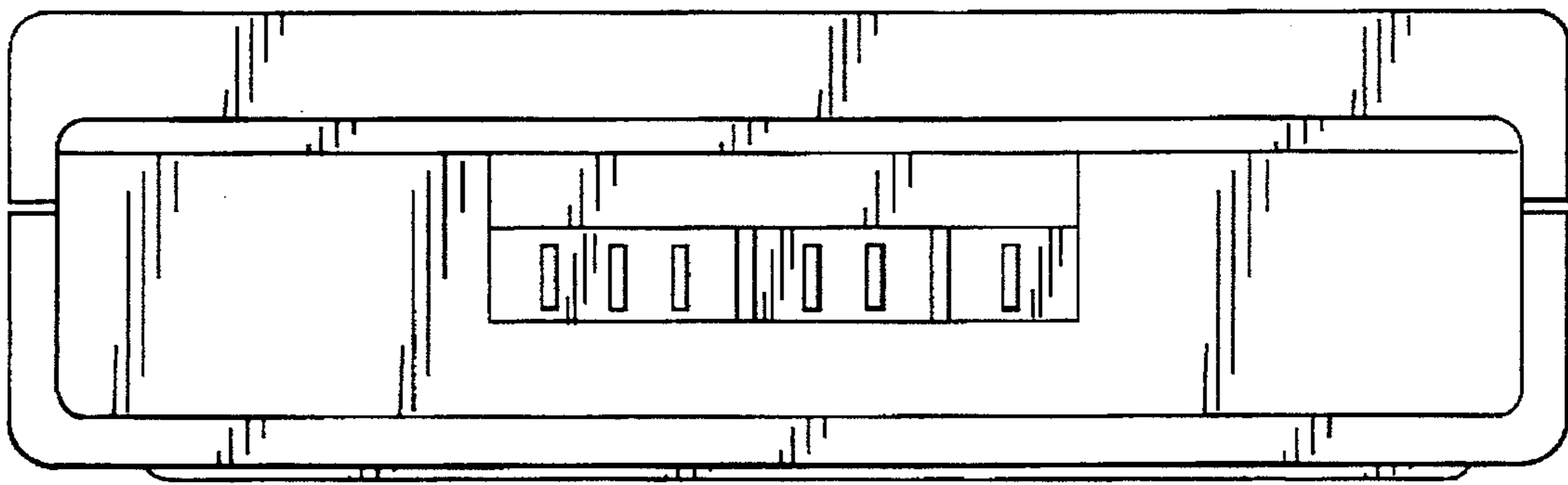


FIG. 3

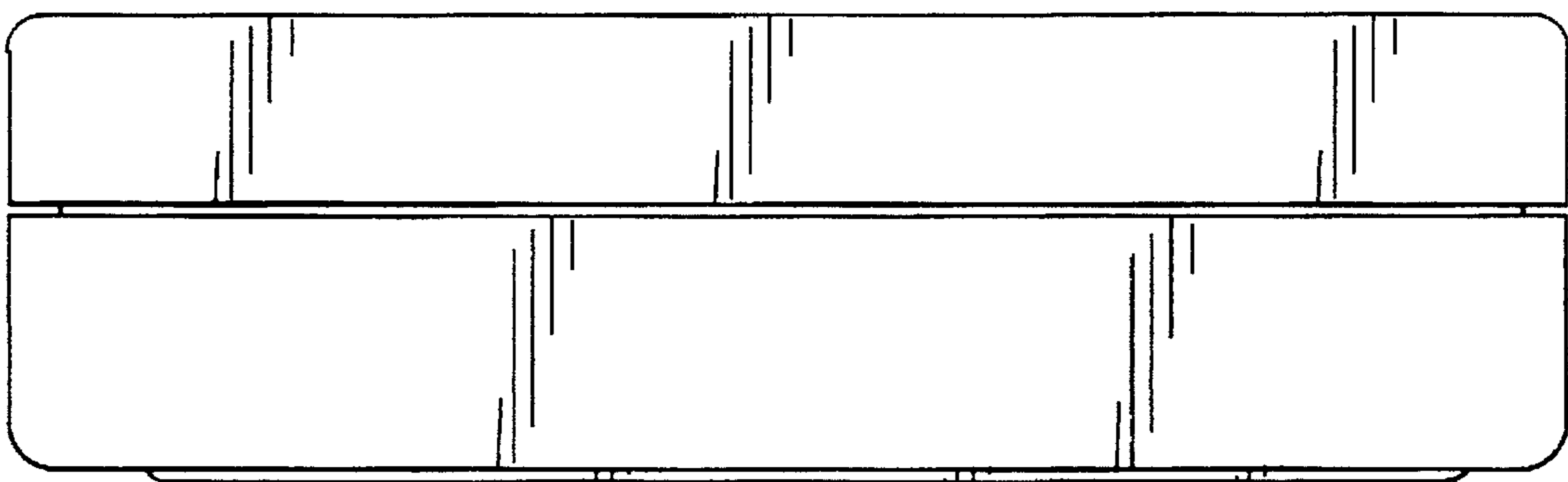


FIG. 4

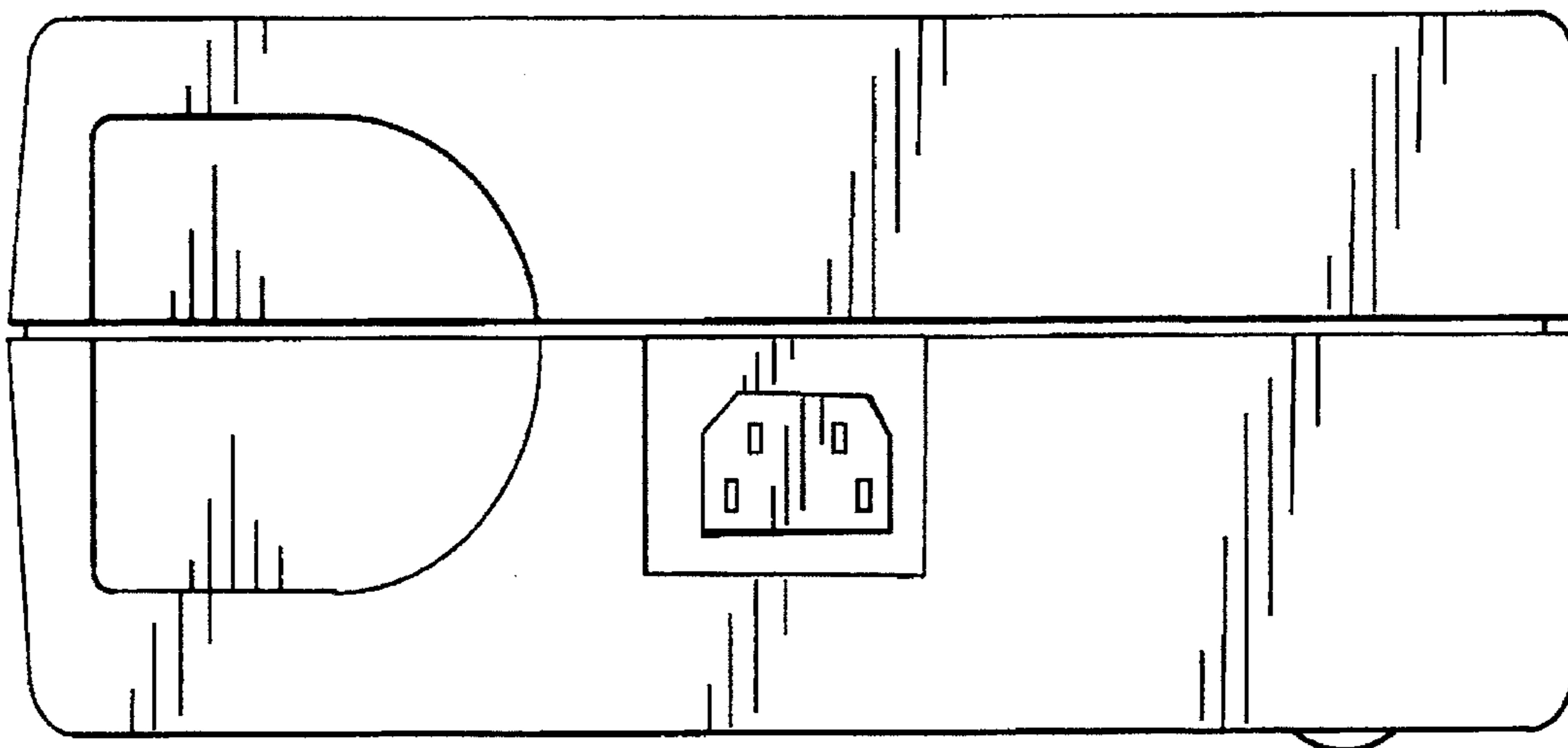


FIG. 5

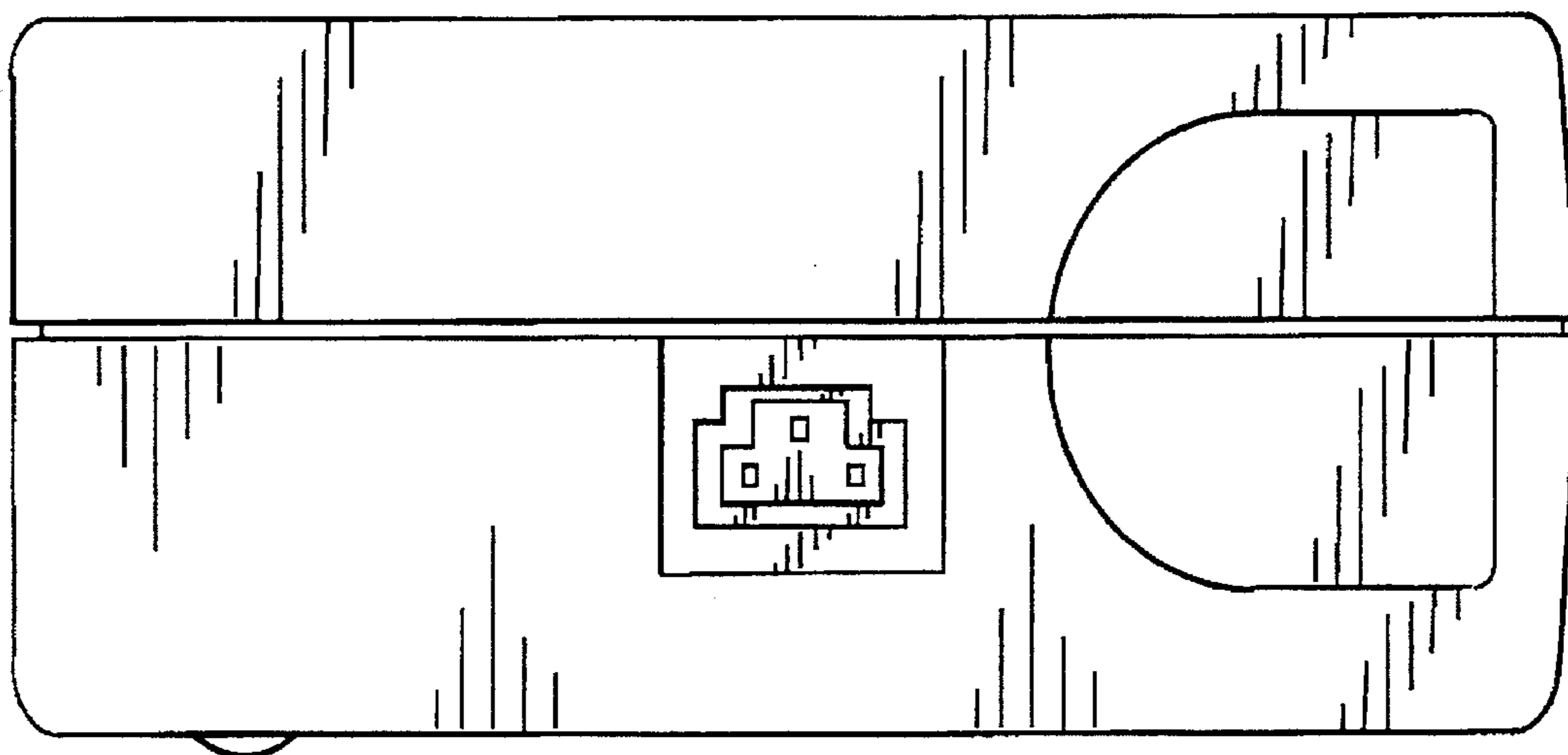


FIG. 6

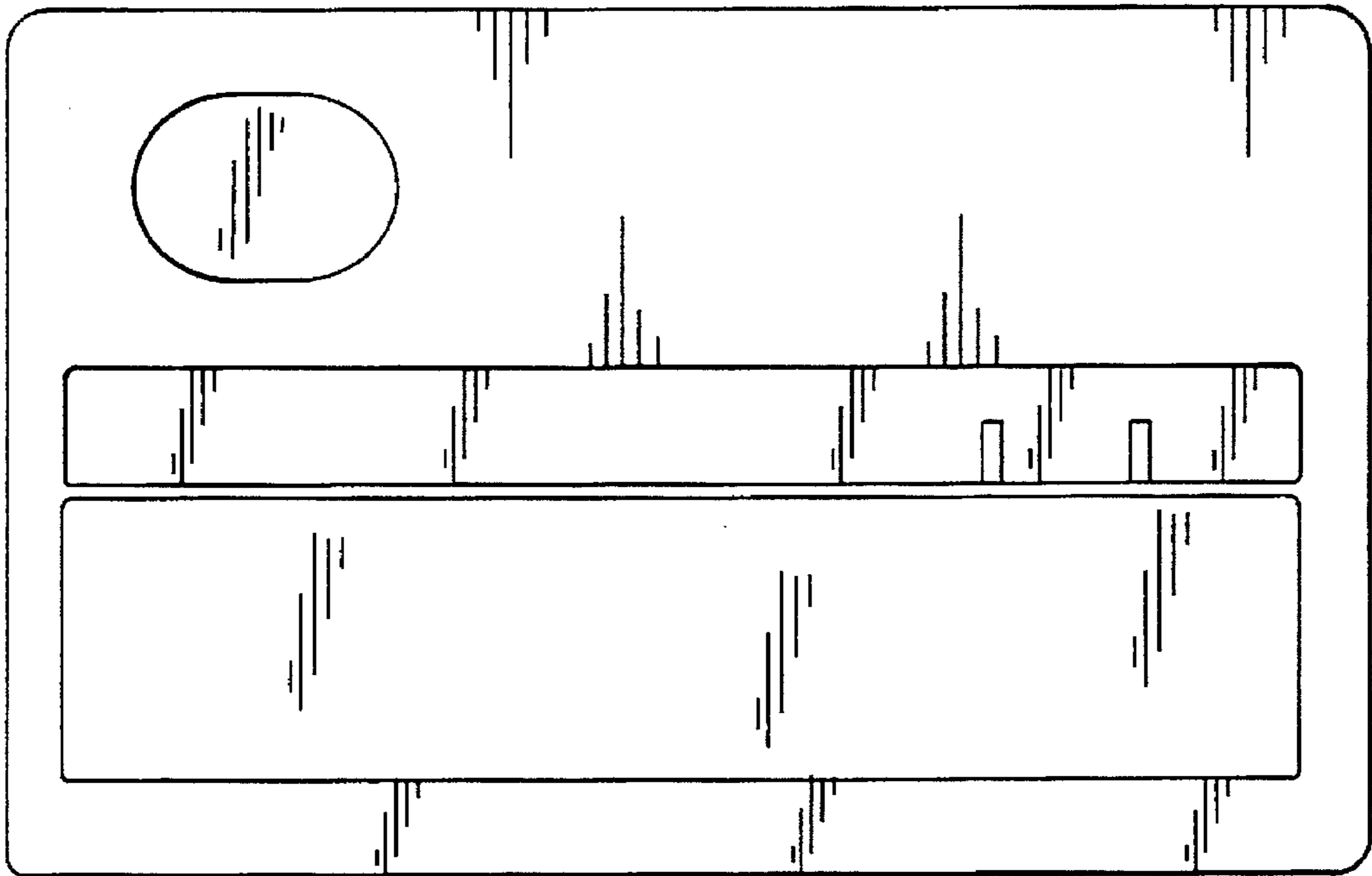


FIG. 7

