



US00D382845S

United States Patent [19]

[11] Patent Number: **Des. 382,845**

Dunn

[45] Date of Patent: ****Aug. 26, 1997**

[54] **BICYCLE SPLASH GUARD**

5,121,935 6/1992 Mathieu et al. 280/152.3

[76] Inventor: **Christopher J. Dunn**, 2929 N. 70th St., Apt. No. 2056, Scottsdale, Ariz. 85251

Primary Examiner—Melody N. Brown
Attorney, Agent, or Firm—Owen, Wickersham & Erickson, P.C.

[**] Term: **14 Years**

[57] CLAIM

[21] Appl. No.: **55,022**

The ornamental design for a bicycle splash guard, as shown and described.

[22] Filed: **Jun. 3, 1996**

DESCRIPTION

[51] LOC (6) Cl. **12-16**

[52] U.S. Cl. **D12/186**

[58] Field of Search D12/186; 280/152.2, 280/152.3, 158.1, 288.4, 304.3; 403/142

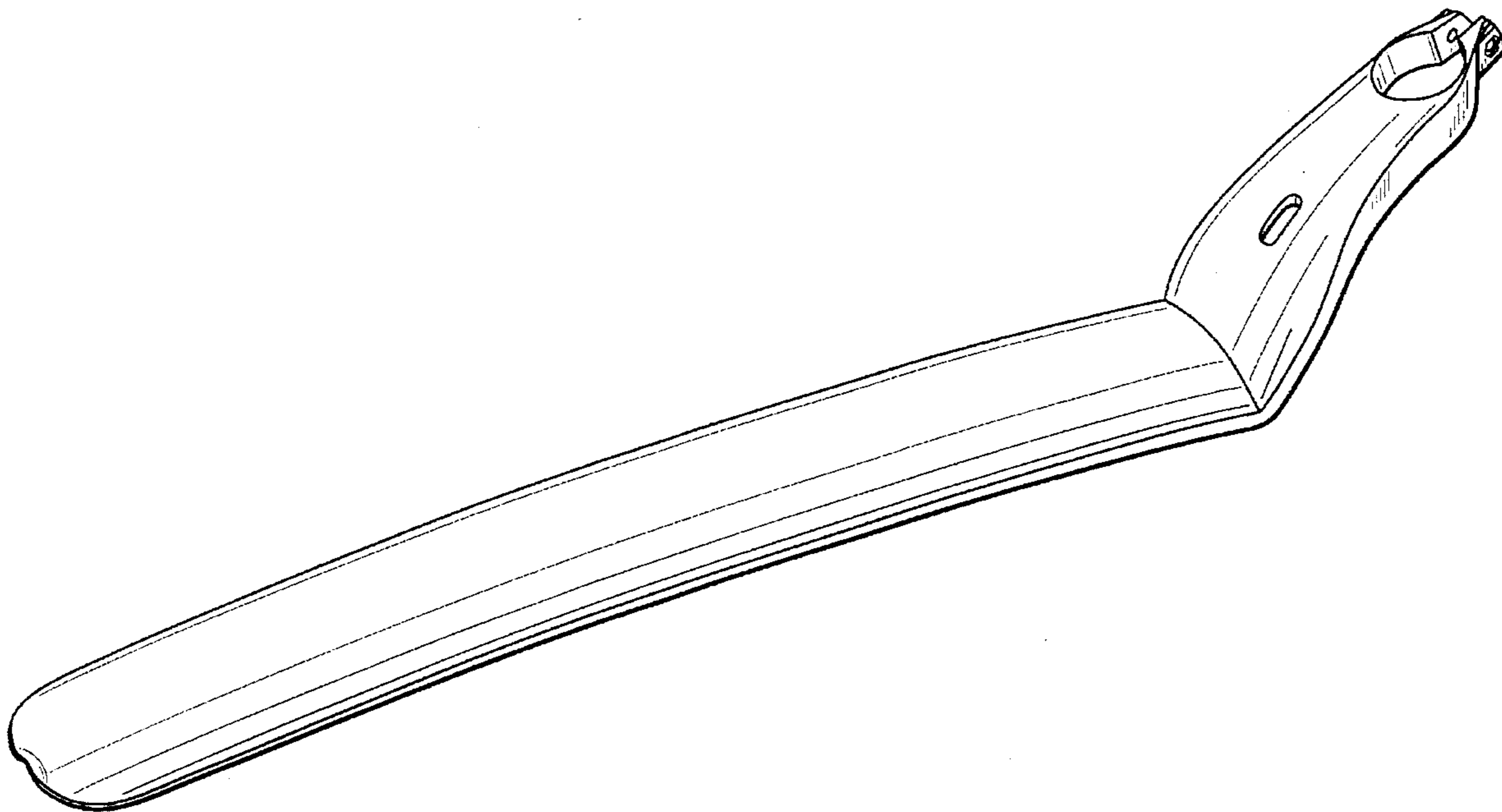
FIG. 1 is a view in perspective of a bicycle splash guard embodying my new design;
FIG. 2 is a top plan view thereof;
FIG. 3 is a bottom plan view thereof;
FIG. 4 is a front elevational view thereof;
FIG. 5 is a rear elevational view thereof;
FIG. 6 is a left side elevational view thereof; and,
FIG. 7 is a right side elevational view thereof.

[56] References Cited

U.S. PATENT DOCUMENTS

- D. 320,590 10/1991 Dunn D12/186
- D. 349,087 7/1994 Rowley D12/186
- 5,112,071 5/1992 Jones 280/152.3

1 Claim, 3 Drawing Sheets



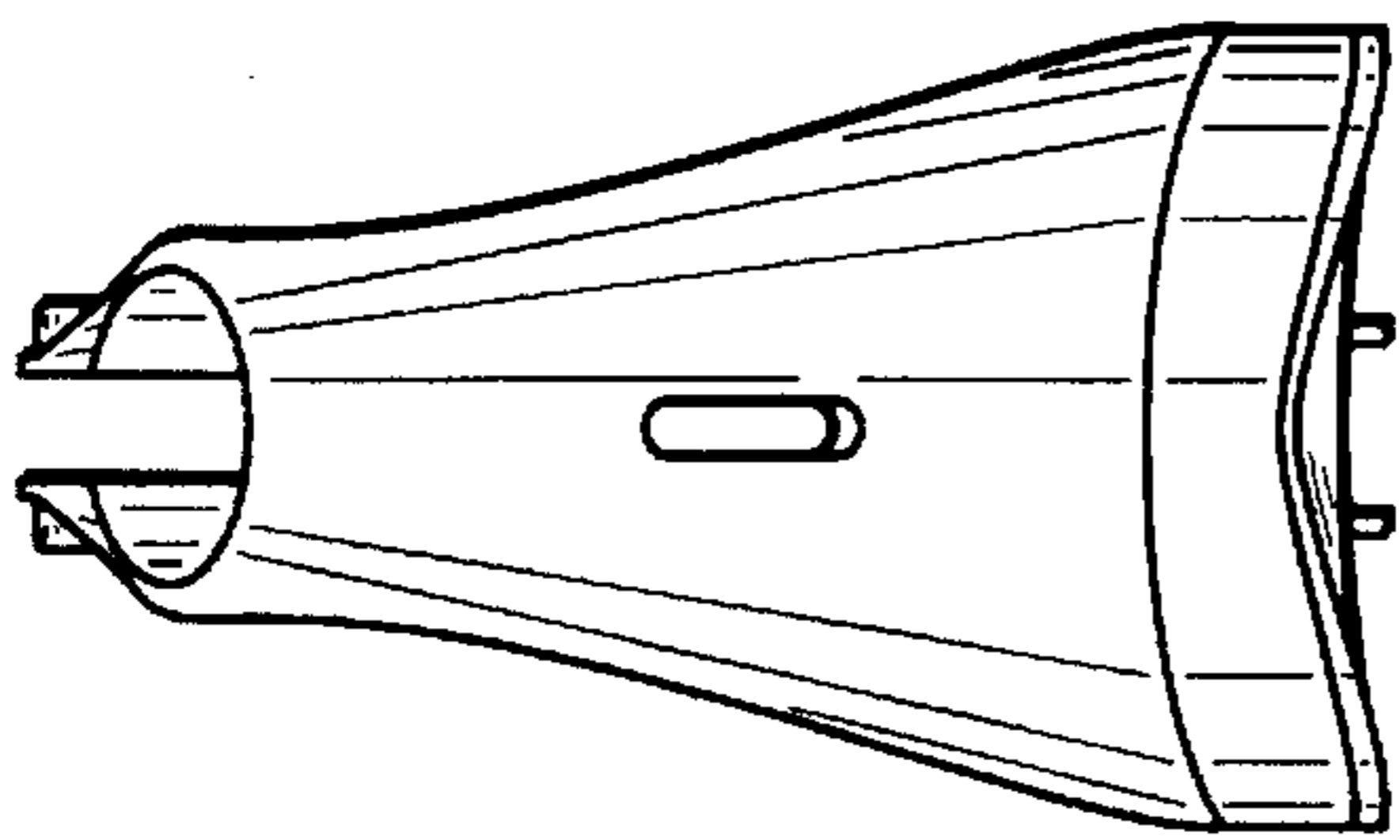


FIG. 5

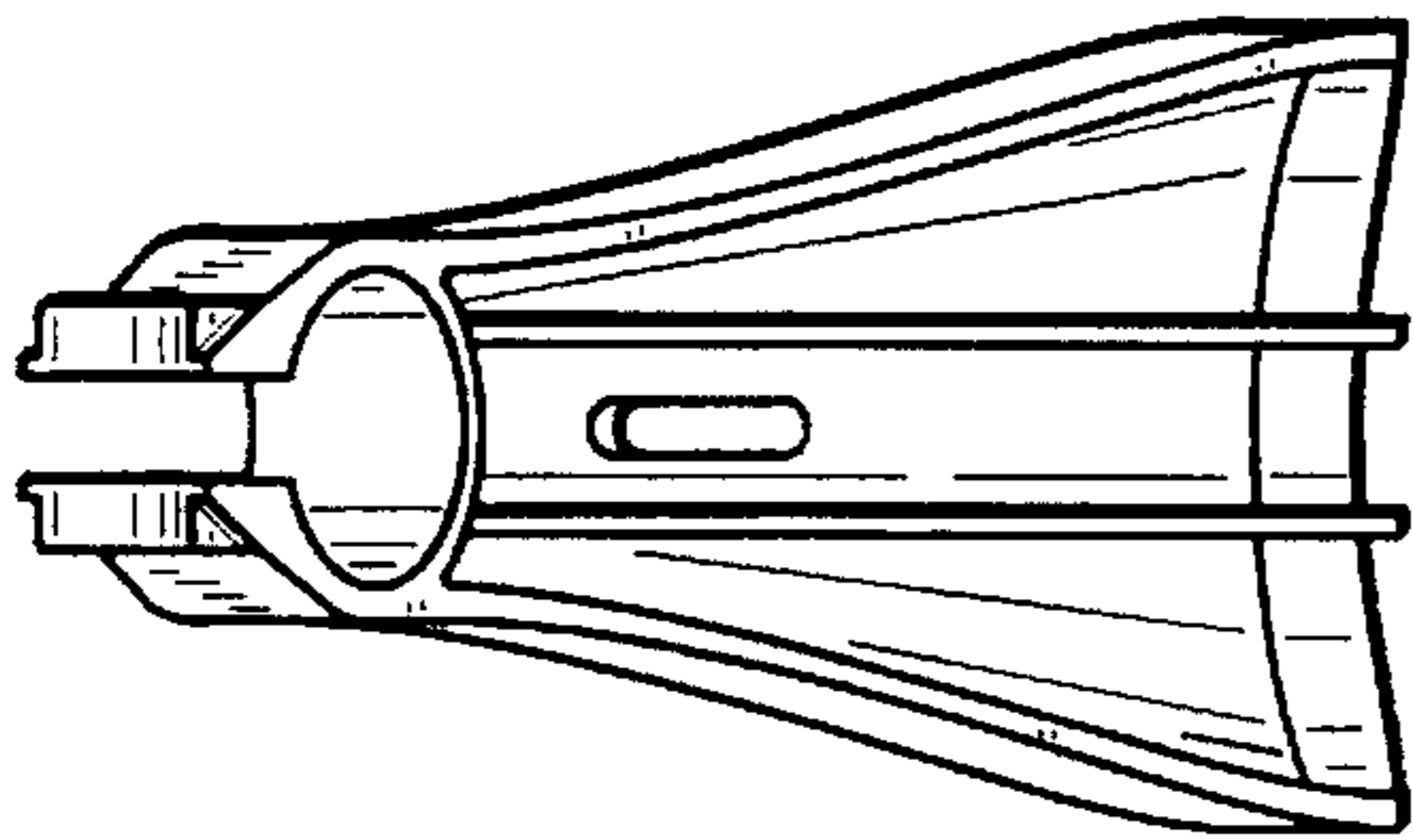


FIG. 4

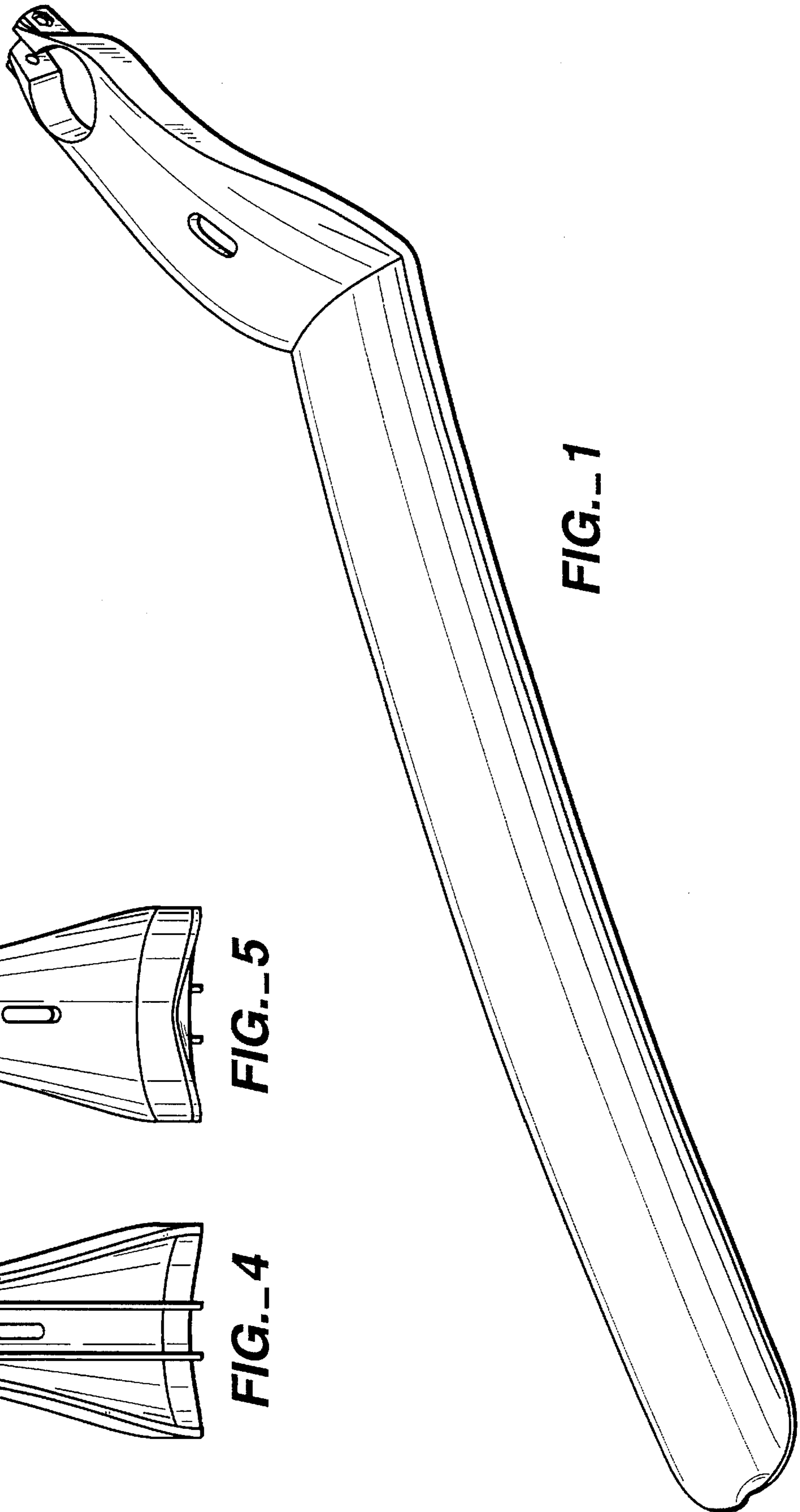


FIG. 1

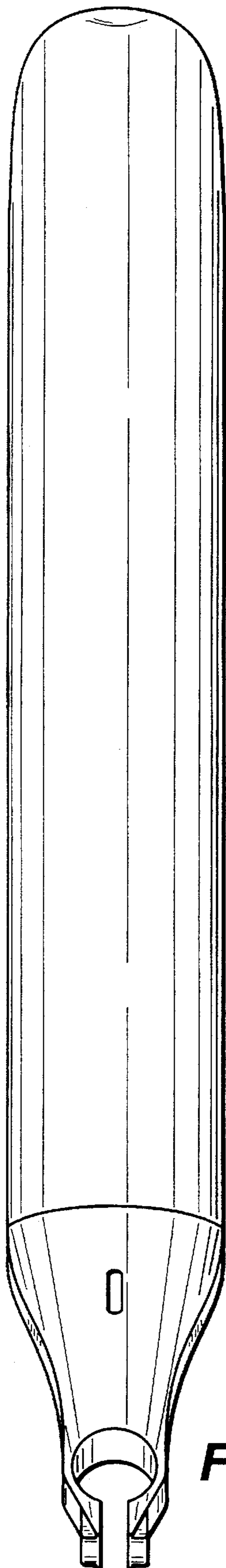


FIG. 2

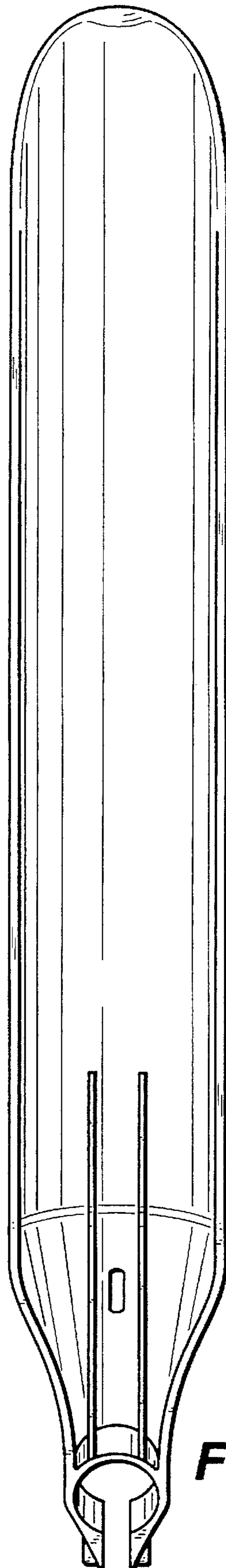


FIG. 3

