



US00D382842S

# United States Patent [19] Nishimura

[11] Patent Number: Des. 382,842

[45] Date of Patent: \*\*Aug. 26, 1997

- [54] BRAKE LEVER FOR A BICYCLE
- [75] Inventor: Tomohiko Nishimura, Osaka, Japan
- [73] Assignee: Shimano Inc., Osaka, Japan
- [\*\*] Term: 14 Years
- [21] Appl. No.: 56,548
- [22] Filed: Jul. 2, 1996
- [51] LOC (6) Cl. .... 12-16
- [52] U.S. Cl. .... D12/179
- [58] Field of Search ..... D12/179; 74/502.2,  
74/489, 551.8, 551.9, 475

5,186,071	2/1993	Iwasuki	.....	74/475
5,385,070	1/1995	Tseng	.....	74/502.2
5,481,934	1/1996	Toyawa	.....	74/475

Primary Examiner—Melody N. Brown  
Attorney, Agent, or Firm—Jordan and Hamburg

### [57] CLAIM

The ornamental design for a brake lever for a bicycle, as shown and described.

### DESCRIPTION

FIG. 1 is a perspective view of a brake lever for a bicycle showing my new design;  
 FIG. 2 is a front elevational view thereof;  
 FIG. 3 is a rear elevational view thereof;  
 FIG. 4 is a top plan view thereof;  
 FIG. 5 is a bottom plan view thereof;  
 FIG. 6 is a left side elevational view thereof; and,  
 FIG. 7 is a right side elevational view thereof.

1 Claim, 4 Drawing Sheets

### [56] References Cited

#### U.S. PATENT DOCUMENTS

D. 339,096	9/1993	Bean et al.	.....	D12/179
D. 356,061	3/1995	Gelbein	.....	D12/179
D. 368,061	3/1996	Burns	.....	D12/179
D. 374,205	10/1996	Levinkron	.....	D12/179

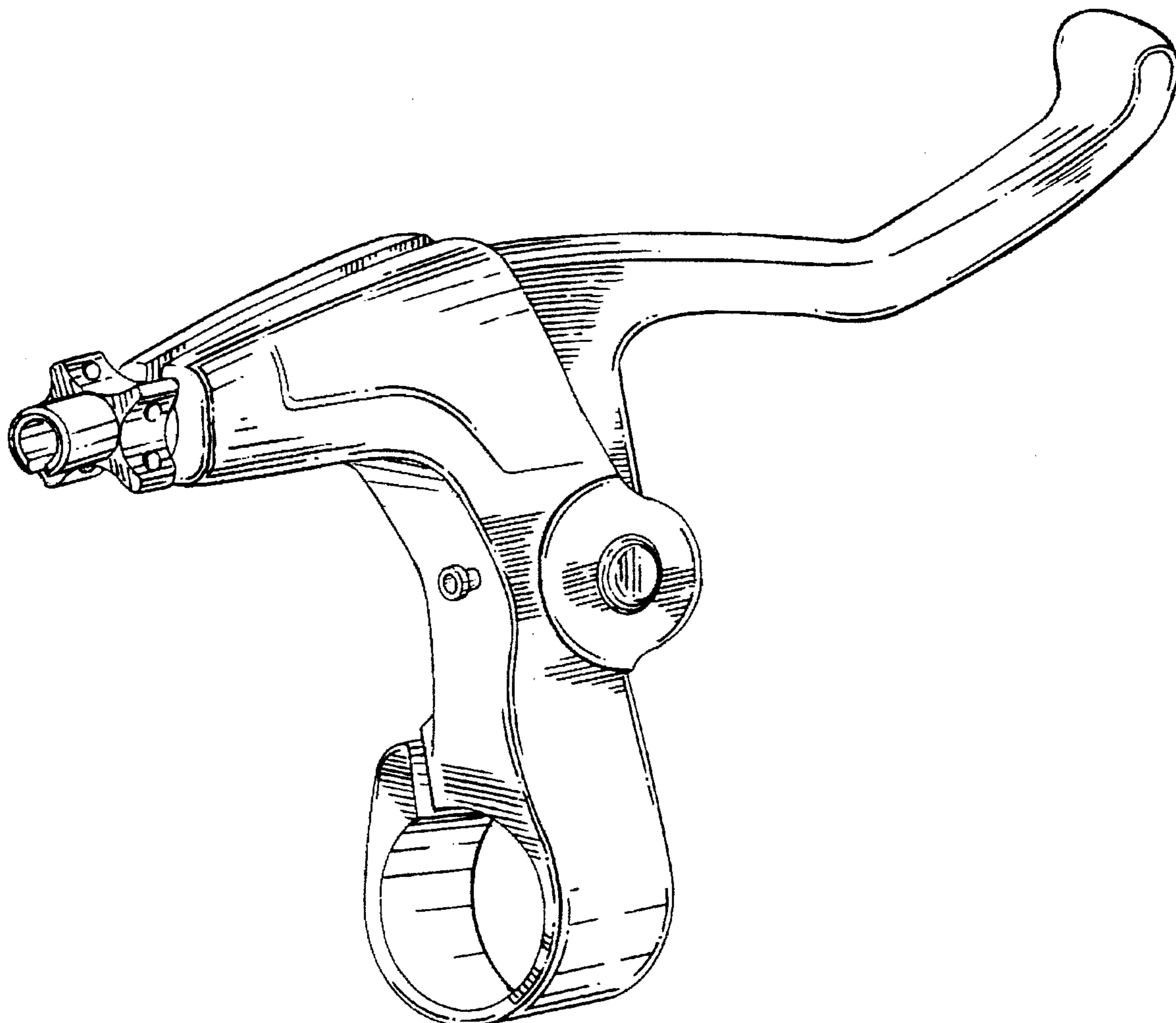


FIG .1

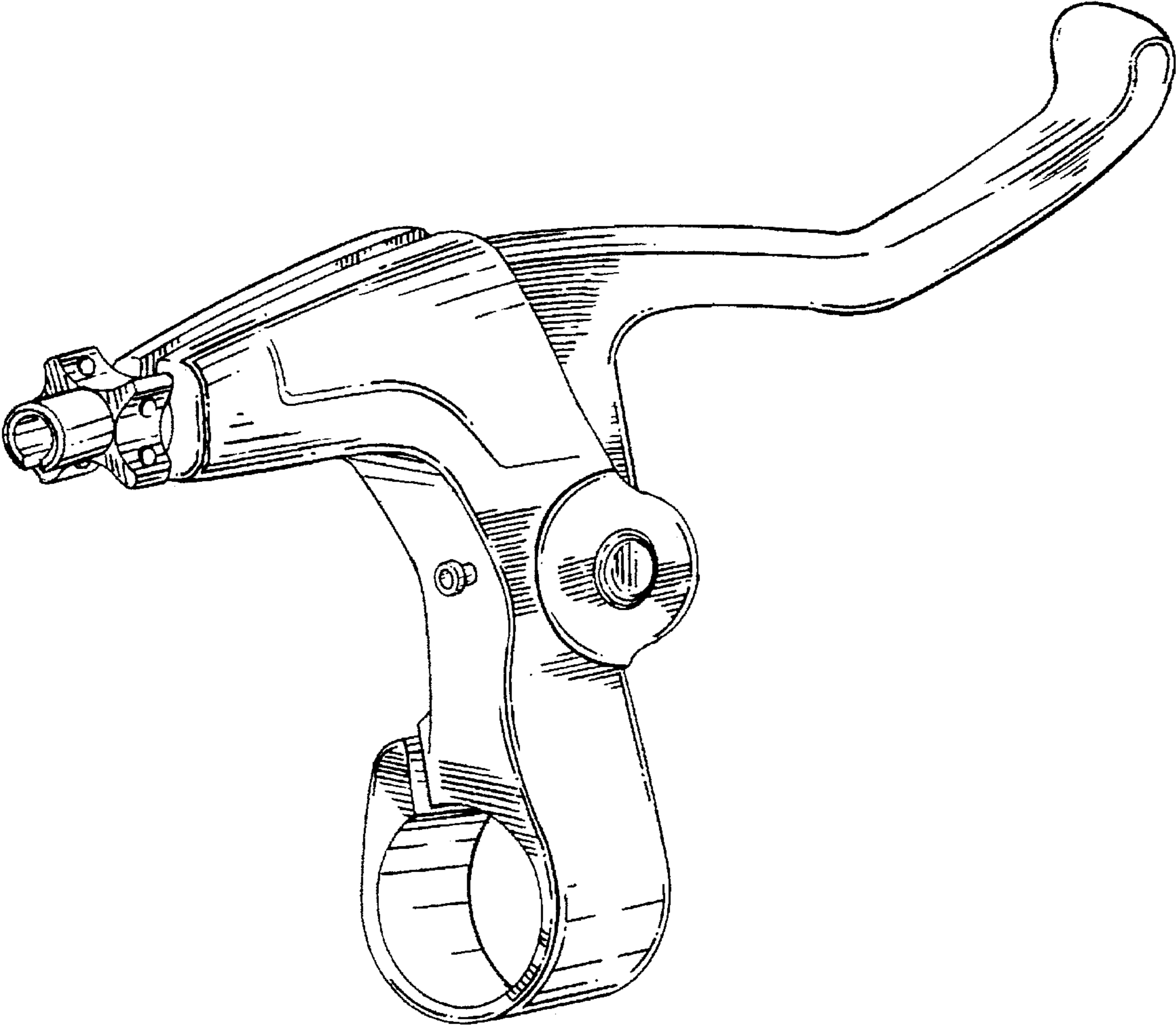


FIG. 2

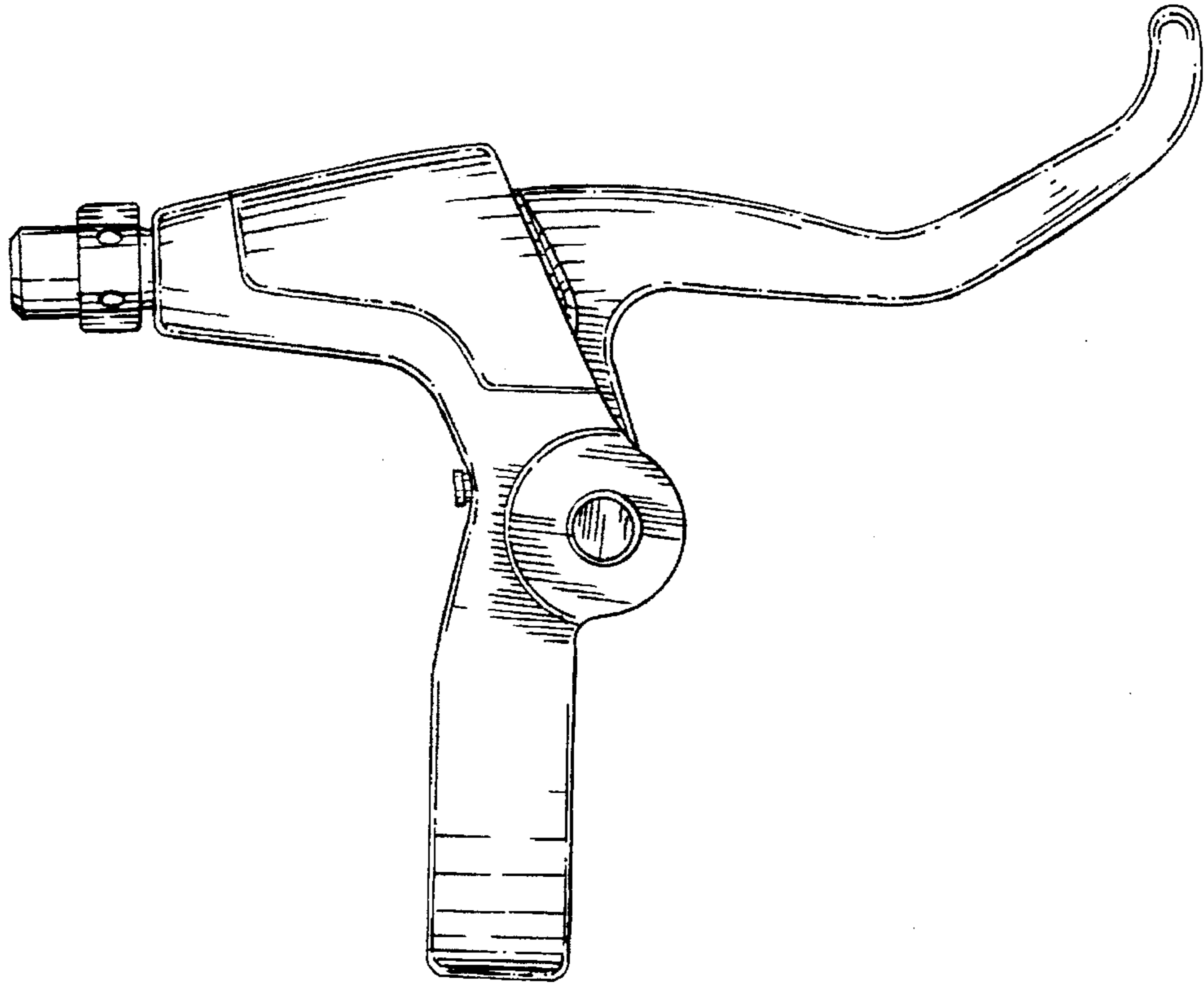


FIG. 3

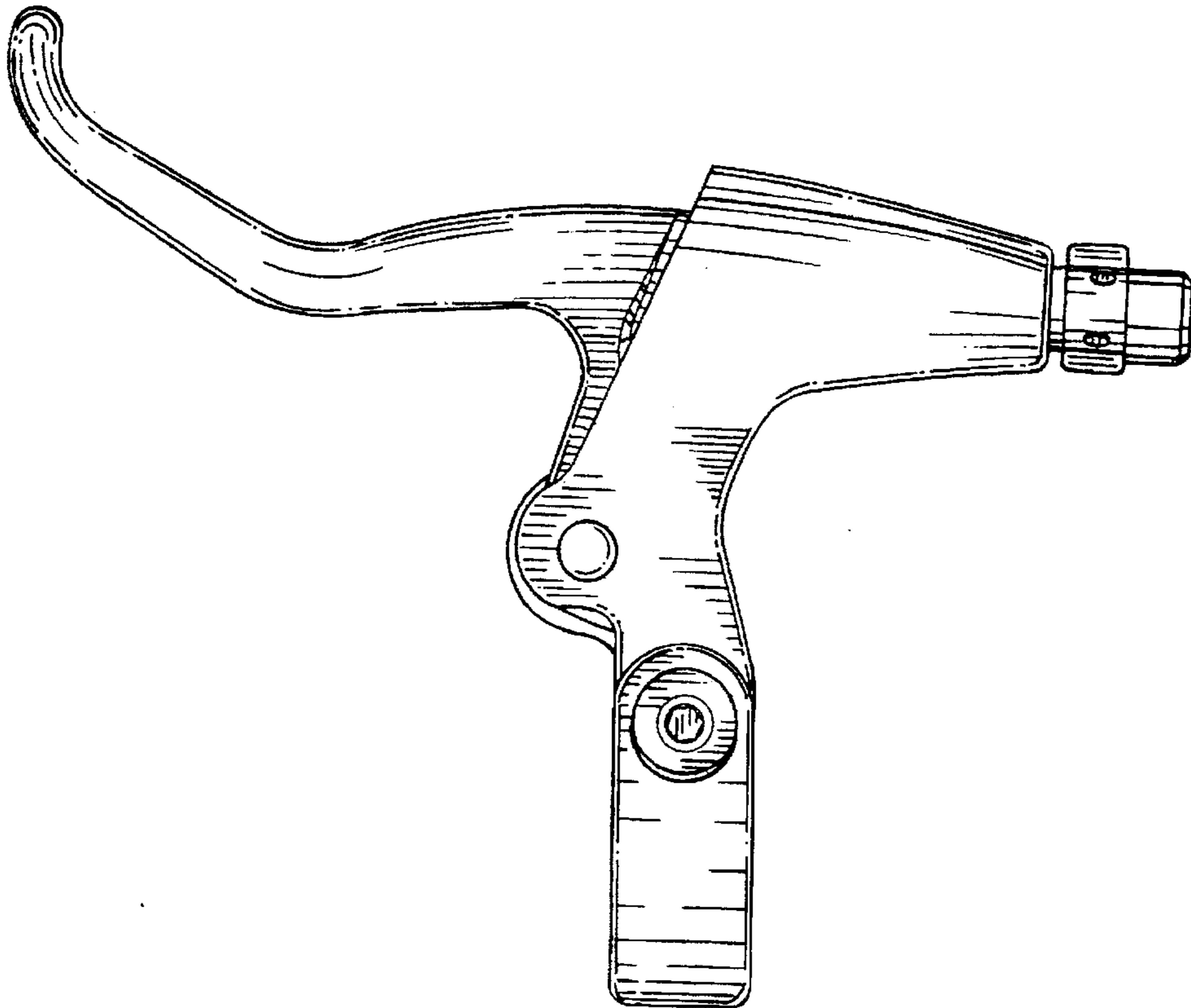


FIG. 4

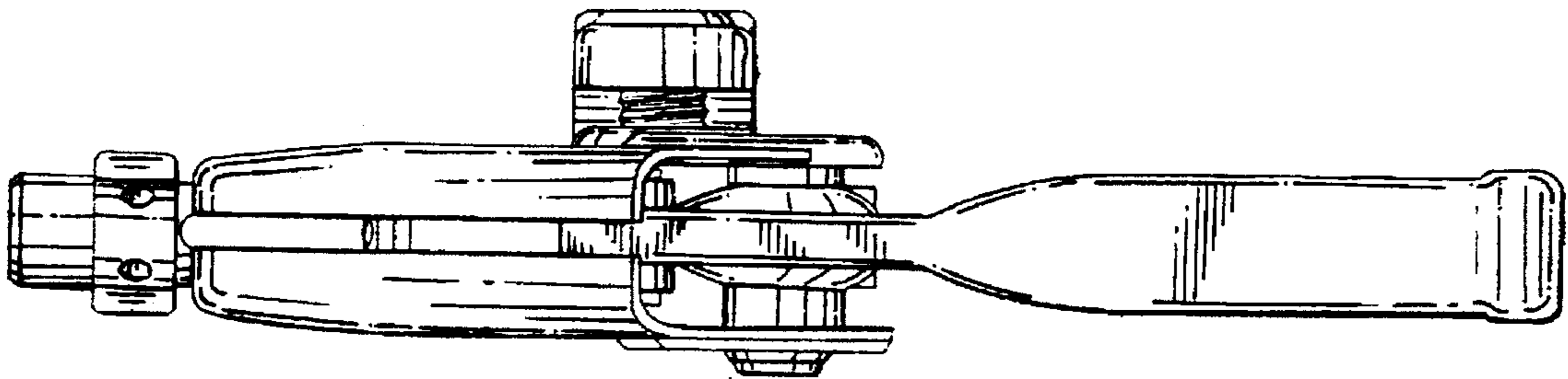


FIG. 5

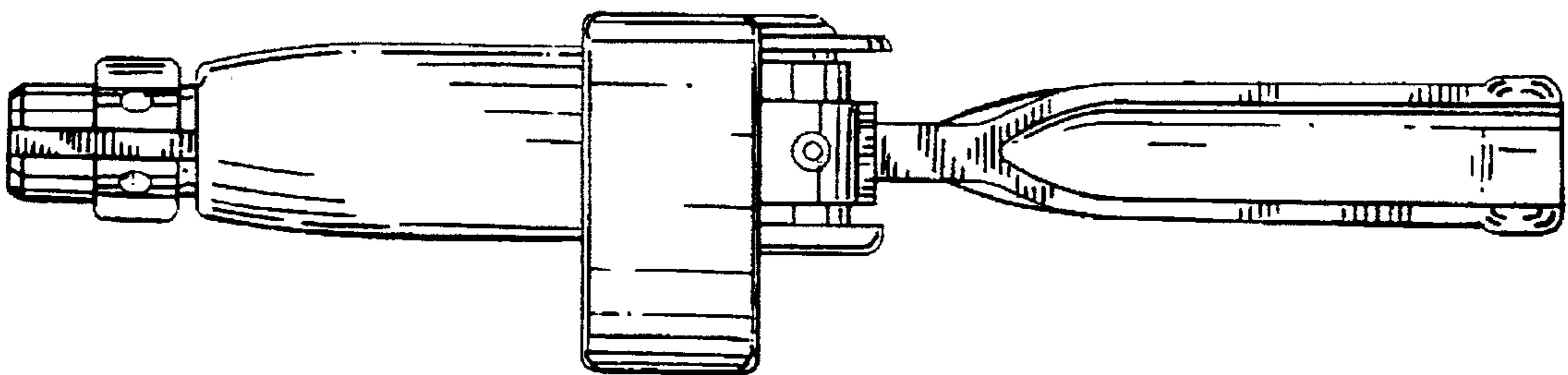


FIG. 6

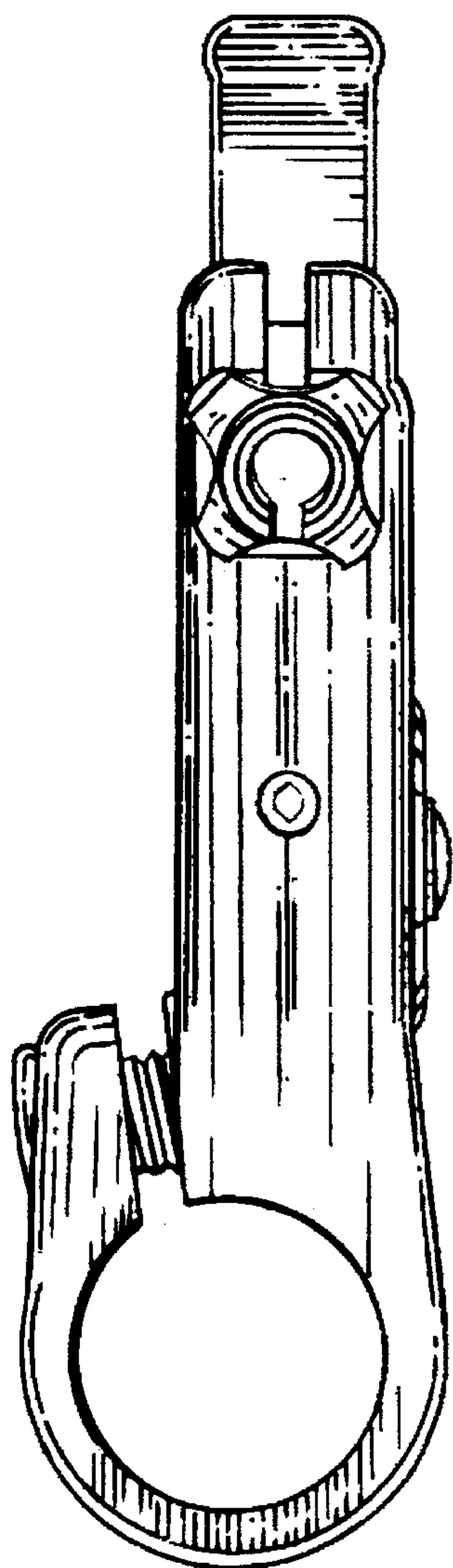


FIG. 7

