



US00D382839S

# United States Patent [19]

[11] Patent Number: **Des. 382,839**

Labbe et al.

[45] Date of Patent: **\*\*Aug. 26, 1997**

[54] **TIRE TREAD**

[75] Inventors: **Christian Labbe**, Meix-le-Tige; **Claude Lardo**, Walzing, both of Belgium

[73] Assignee: **The Goodyear Tire & Rubber Company**, Akron, Ohio

[\*\*] Term: **14 Years**

[21] Appl. No.: **51,459**

[22] Filed: **Mar. 8, 1996**

[51] LOC (6) Cl. .... **12-15**

[52] U.S. Cl. .... **D12/146**

[58] Field of Search ..... D12/136, 138, D12/141-151; 152/209 R, 209 D

[56] **References Cited**

**U.S. PATENT DOCUMENTS**

D. 328,583	8/1992	Graas et al. ....	D12/147
D. 344,475	2/1994	Croyle .....	D12/145
D. 350,103	8/1994	Graas .....	D12/151
D. 361,966	9/1995	Graas et al. ....	D12/146
D. 363,456	10/1995	Graas et al. ....	D12/151
4,632,166	12/1986	Fontaine et al. ....	D12/144

**OTHER PUBLICATIONS**

Montgomery Ward Road Tamer by BFGoodrich Tire, Tread Design Guide, p. 45 Jan. 1994.

Avon CR22 Tire, Tread Design Guide, p. 9 Jan. 1995.

*Primary Examiner*—James Gandy  
*Assistant Examiner*—Robert M. Spear  
*Attorney, Agent, or Firm*—T. P. Lewandowski

[57] **CLAIM**

The ornamental design for a tire tread, as shown and described.

**DESCRIPTION**

FIG. 1 is a perspective view of a tire tread, it being understood that the pattern is repeated uniformly throughout the circumference of the tread;

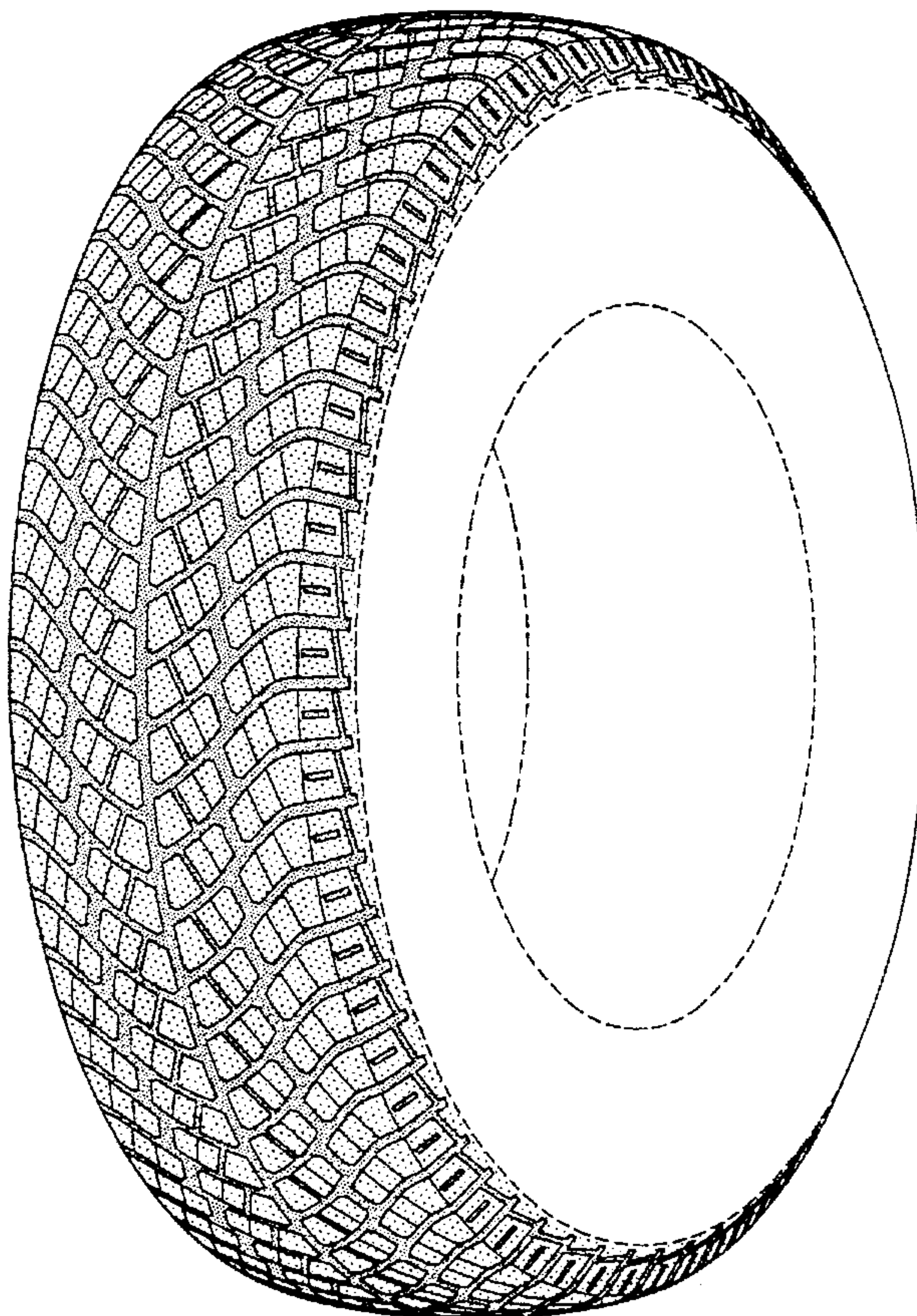
FIG. 2 is a front elevational view thereof;

FIG. 3 is a side elevational view thereof, the opposite side elevational view being a mirror image thereof; and,

FIG. 4 is an enlarged fragmentary front view thereof.

The dark stippled surface shading represents the recessed portion of the tread grooves, having a depth as best shown in FIG. 2; the broken lines defining the tire inner bead, sidewall, and the peripheral boundary between the sidewall and the tread are for illustrative purposes only and form no part of the claimed design.

**1 Claim, 4 Drawing Sheets**





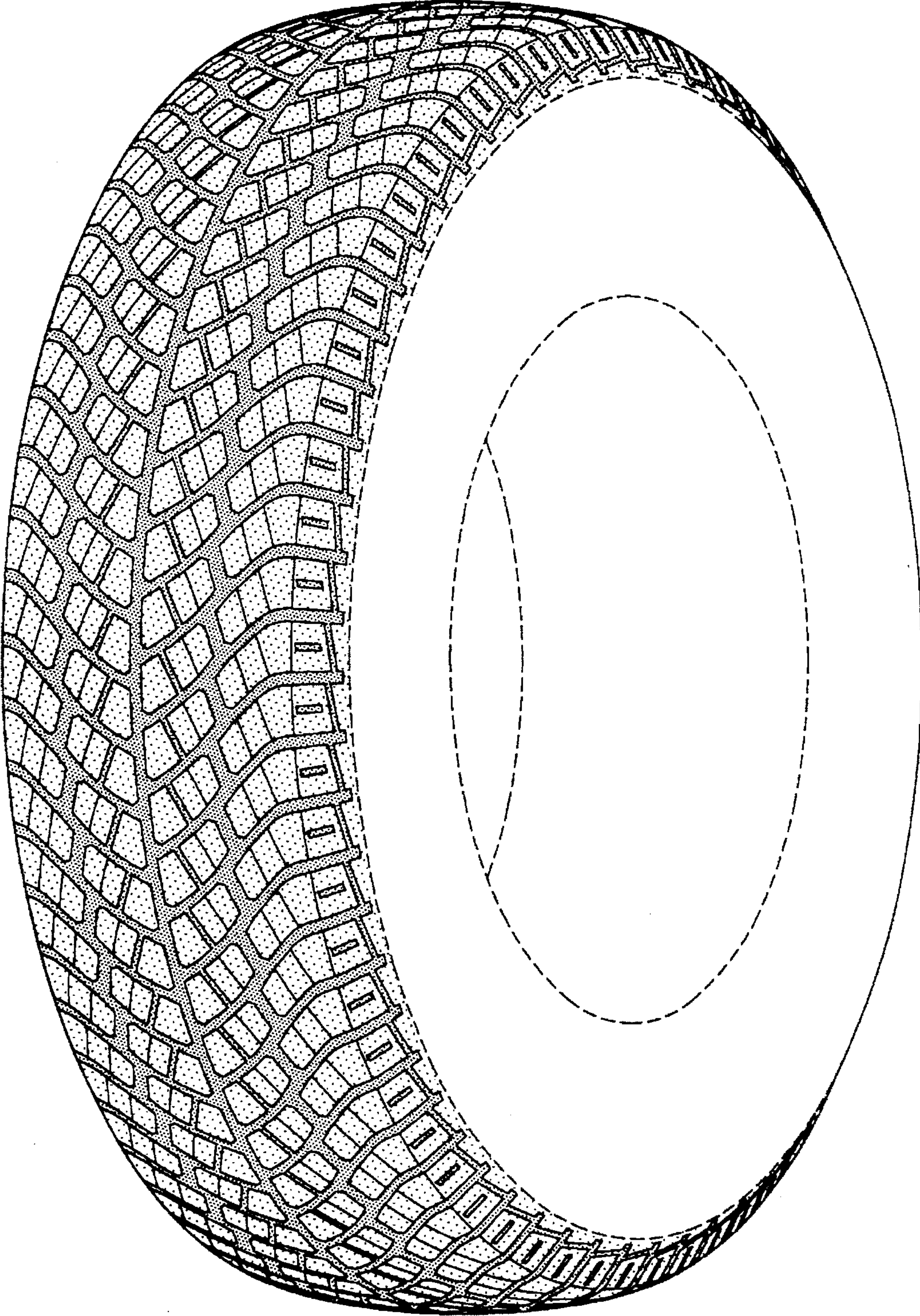


FIG-1



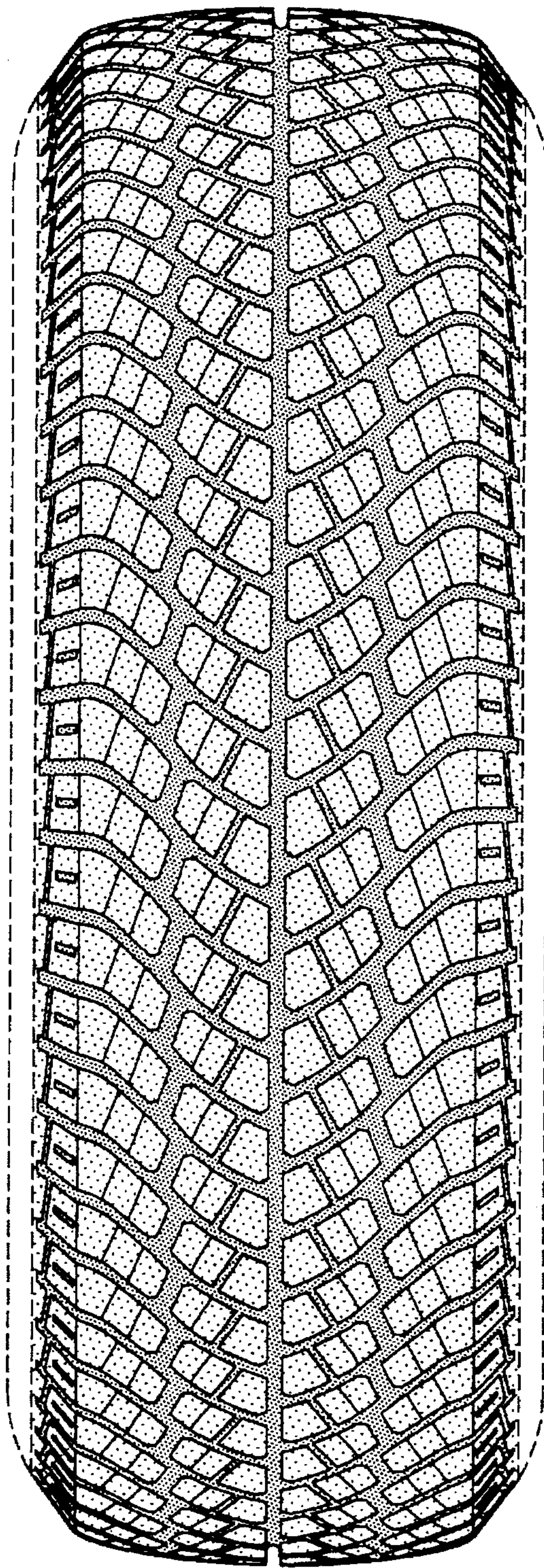


FIG-2

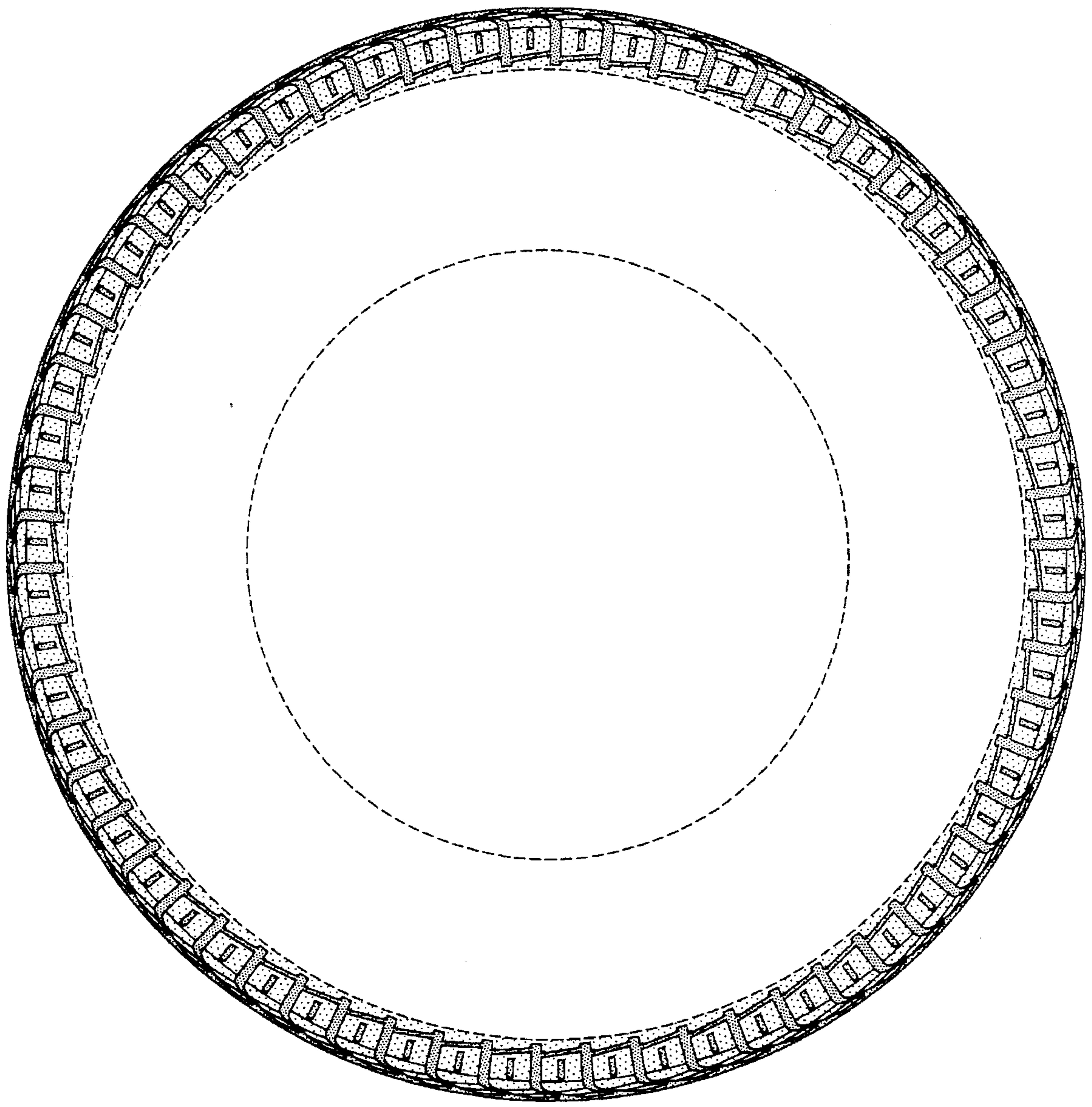


FIG-3



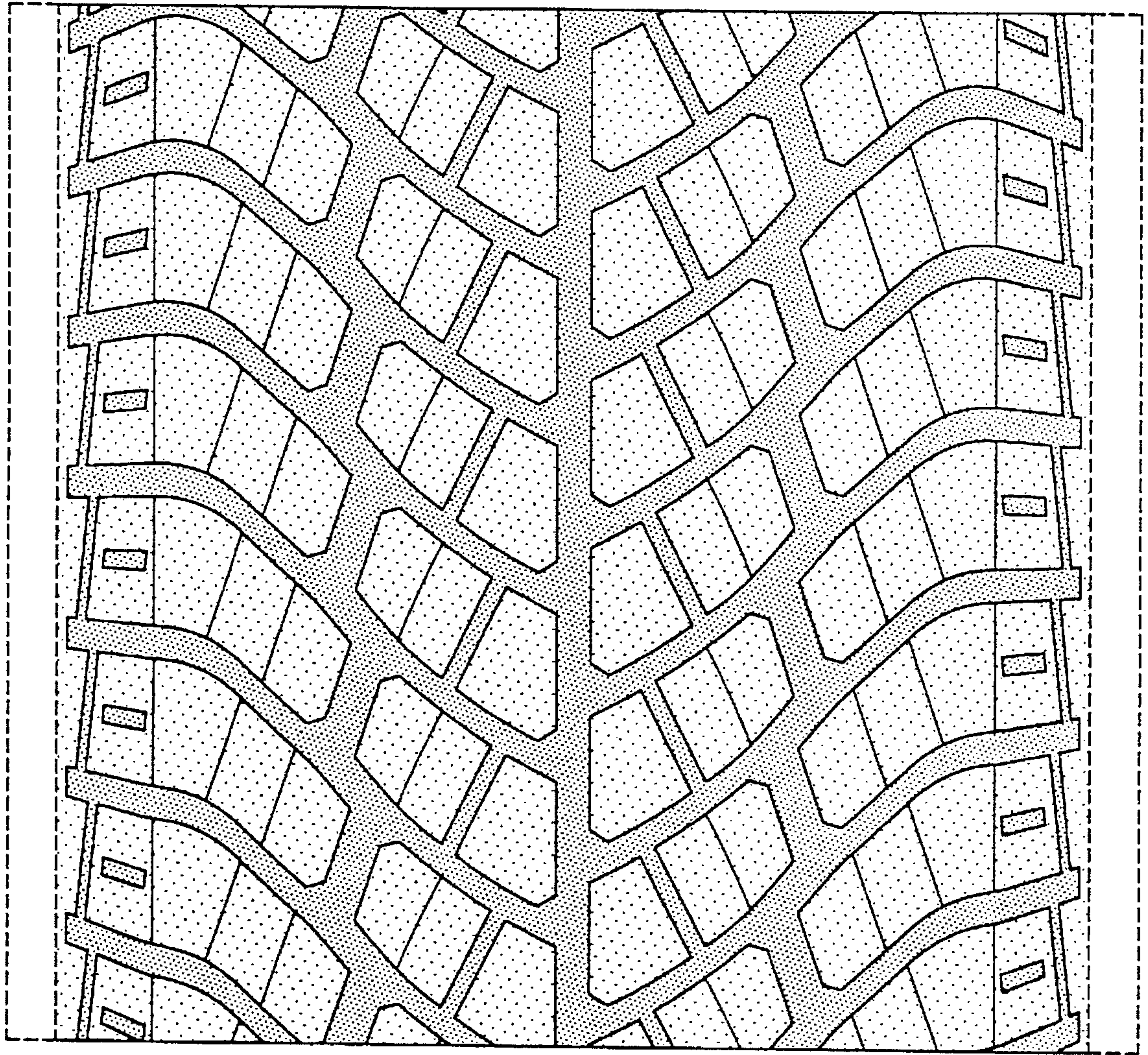


FIG-4