



US00D382837S

# United States Patent [19]

[11] Patent Number: **Des. 382,837**

Haut et al.

[45] Date of Patent: **\*\*Aug. 26, 1997**

[54] **ALL-TERRAIN STROLLER WITH SWIVEL WHEELS**

[75] Inventors: **Robert E. Haut, Paoli; Eric A. Schneider, Philadelphia; Steven Pancheri, Downingtown, all of Pa.**

[73] Assignee: **Graco Children's Products, Inc., Elverson, Pa.**

[\*\*] Term: **14 Years**

[21] Appl. No.: **46,236**

[22] Filed: **Nov. 9, 1995**

[51] LOC (6) Cl. .... **12-12**

[52] U.S. Cl. .... **D12/129**

[58] Field of Search ..... **D12/128, 129; 280/642, 643, 644, 647, 648, 650, 658**

D. 357,439	4/1995	Haut et al. .	
D. 362,832	10/1995	Haut et al. ....	D12/129
D. 370,438	6/1996	Haut et al. .	
3,967,342	7/1976	Gebhard .	
4,108,468	8/1978	Orlanski .	
4,173,355	11/1979	Perego .	
4,232,897	11/1980	Maciaren et al. .	
4,542,915	9/1985	Wheeler, III et al. .	
4,564,212	1/1986	Orlandino et al. .	
4,632,421	12/1986	Shamie .	
4,725,071	2/1988	Shamie .	
4,741,551	5/1988	Perego .	
4,762,335	8/1988	Kassai .	
4,763,911	8/1988	Gebhard et al. .	
4,763,919	8/1988	Nakao et al. .	
4,765,644	8/1988	Bell .	
4,765,645	8/1988	Shamie .	
4,768,795	9/1988	Mar .	
4,773,124	9/1988	Nakao et al. .	
4,779,879	10/1988	Kassai .	

(List continued on next page.)

## [56] References Cited

### U.S. PATENT DOCUMENTS

D. 296,540	7/1988	Perego .
D. 297,525	9/1988	Baechler .
D. 298,815	12/1988	Kassai .
D. 300,310	3/1989	Kassai .
D. 305,012	12/1989	Bigo et al. .
D. 305,013	12/1989	Bigo et al. .
D. 305,316	1/1990	Lin .
D. 305,317	1/1990	Kassai .
D. 307,249	4/1990	Yee et al. .
D. 307,250	4/1990	Kassai .
D. 307,879	5/1990	Giambrone .
D. 308,656	6/1990	Takahashi et al. .
D. 310,645	9/1990	Julien .
D. 311,363	10/1990	Lin .
D. 317,280	6/1991	Takahashi et al. .
D. 319,906	9/1991	Takahashi et al. .
D. 320,370	10/1991	Takahashi et al. .
D. 321,850	11/1991	Mong-Hsing .
D. 325,550	4/1992	Kato et al. .
D. 328,047	7/1992	Huang .
D. 329,832	9/1992	Ishikura et al. .
D. 331,208	11/1992	Peebles et al. .
D. 332,591	1/1993	Reely .
D. 335,642	5/1993	Huang .
D. 348,637	7/1994	Globerman et al. .

### FOREIGN PATENT DOCUMENTS

0 258 826 9/1988 European Pat. Off. .

*Primary Examiner*—Kay H. Chin

*Attorney, Agent, or Firm*—Morgan, Lewis and Bockius LLP

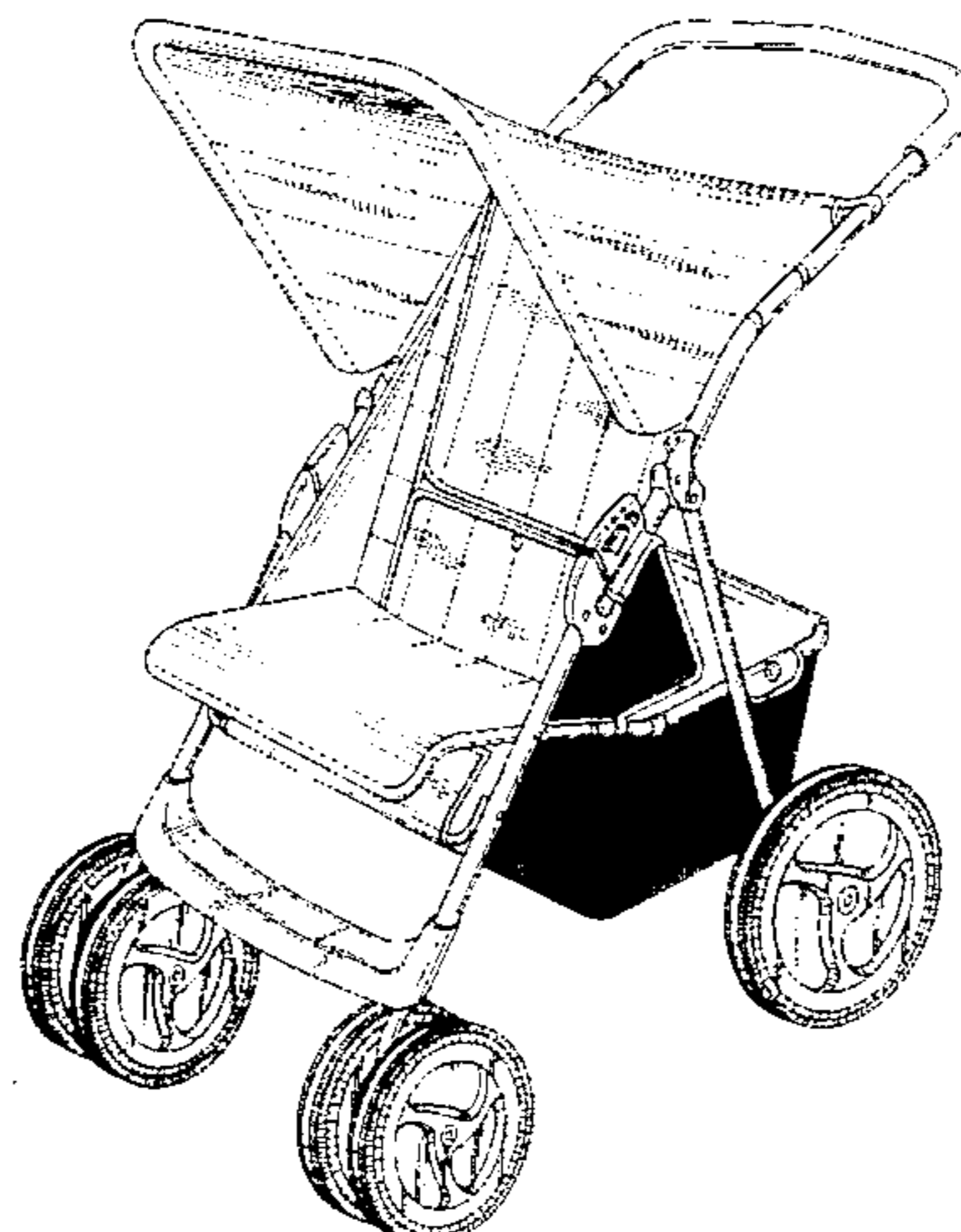
## [57] CLAIM

The ornamental design for an all-terrain stroller with swivel wheels, as shown and described.

### DESCRIPTION

FIG. 1 is a perspective view of the all-terrain stroller with swivel wheels with the seat back in an up position;  
 FIG. 2 is a side view of the all-terrain stroller with swivel wheels with the seat back in the down position;  
 FIG. 3 is a front view of the all-terrain stroller with swivel wheels with the seat back in the down position;  
 FIG. 4 is a back view of the all-terrain stroller with swivel wheels with the seat back in the down position;  
 FIG. 5 is a top view of the all-terrain stroller with swivel wheels; and,  
 FIG. 6 is a bottom view of the all-terrain stroller with swivel wheels.

**1 Claim, 6 Drawing Sheets**



## U.S. PATENT DOCUMENTS

4,805,928	2/1989	Nakao et al. .	5,123,767	6/1992	Ishikura et al. .
4,817,982	4/1989	Kassai .	5,143,398	9/1992	Teng .
4,819,958	4/1989	Perego .	5,144,717	9/1992	Siesholtz et al. .
4,832,361	5/1989	Nakao et al. .	5,149,115	9/1992	Sampedro .
4,836,573	6/1989	Gebhard .	5,158,319	10/1992	Norcia et al. .
4,848,787	7/1989	Kassai .	5,167,425	12/1992	Chen .
4,856,809	8/1989	Kohus et al. .	5,168,601	12/1992	Liu .
4,892,327	1/1990	Cabagnero .	5,181,735	1/1993	Onishi .
4,906,017	3/1990	Kassai .	5,184,835	2/1993	Huang .
4,915,401	4/1990	Severson et al. .	5,188,389	2/1993	Baechler et al. .
4,930,697	6/1990	Takahashi et al. .	5,192,091	3/1993	Liu .
4,953,880	9/1990	Sudakoff et al. .	5,195,770	3/1993	Ishikura .
5,029,891	7/1991	Jacobs .	5,197,753	3/1993	Liu .
5,056,805	10/1991	Wang .	5,201,535	4/1993	Kato et al. .
5,071,146	12/1991	Lewis et al. .	5,203,577	4/1993	Kato et al. .
5,074,575	12/1991	Bigo .	5,205,577	4/1993	Liu .
5,076,599	12/1991	Lockett et al. .	5,205,578	4/1993	Liu .
5,087,066	2/1992	Mong-Hsing .	5,205,579	4/1993	Kato et al. .
5,121,940	6/1992	March .	5,244,228	9/1993	Chiu .
5,123,670	6/1992	Chen .	5,257,799	11/1993	Cone et al. .
			5,454,584	10/1995	Haut et al. .... 280/642

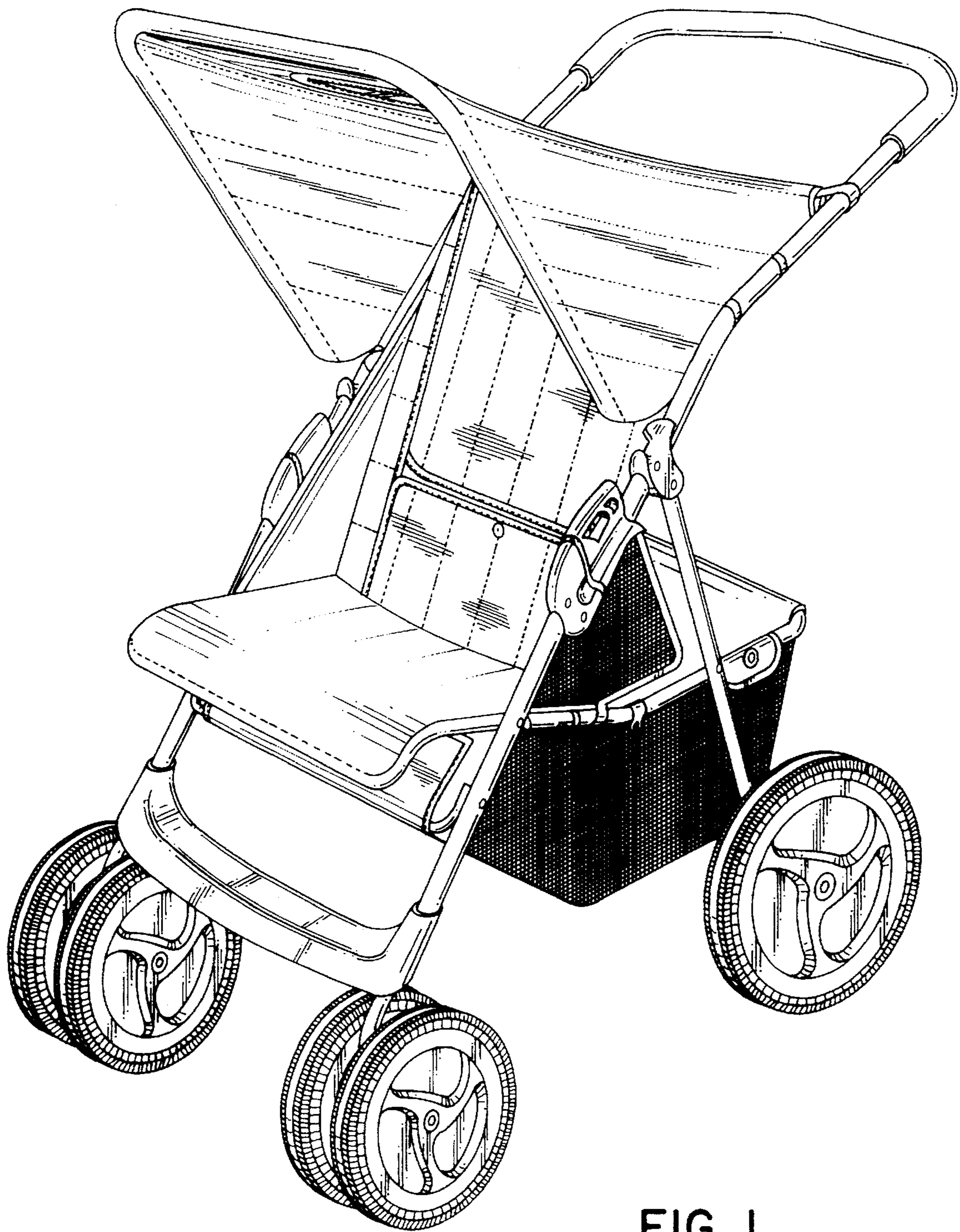


FIG. 1

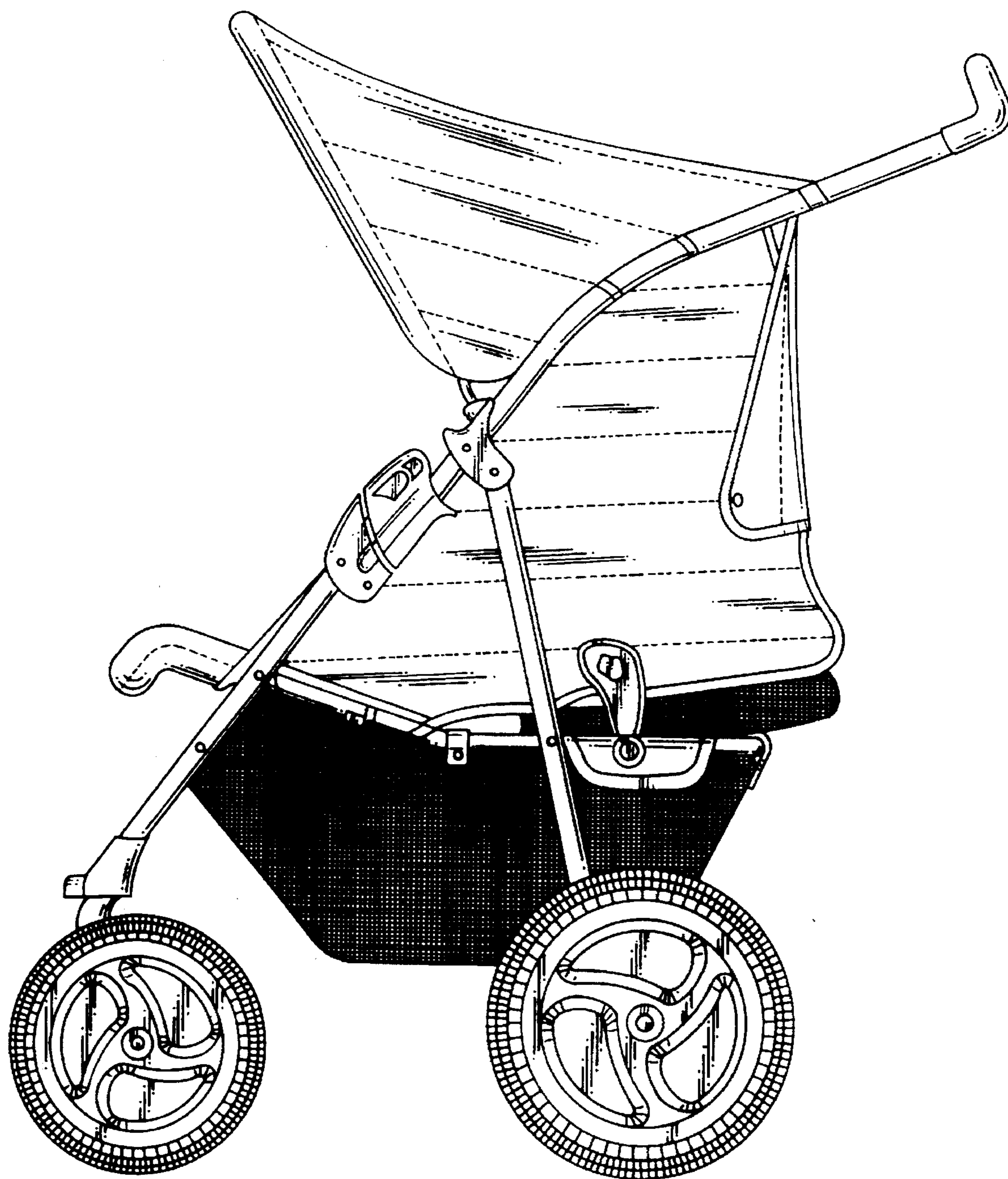


FIG. 2

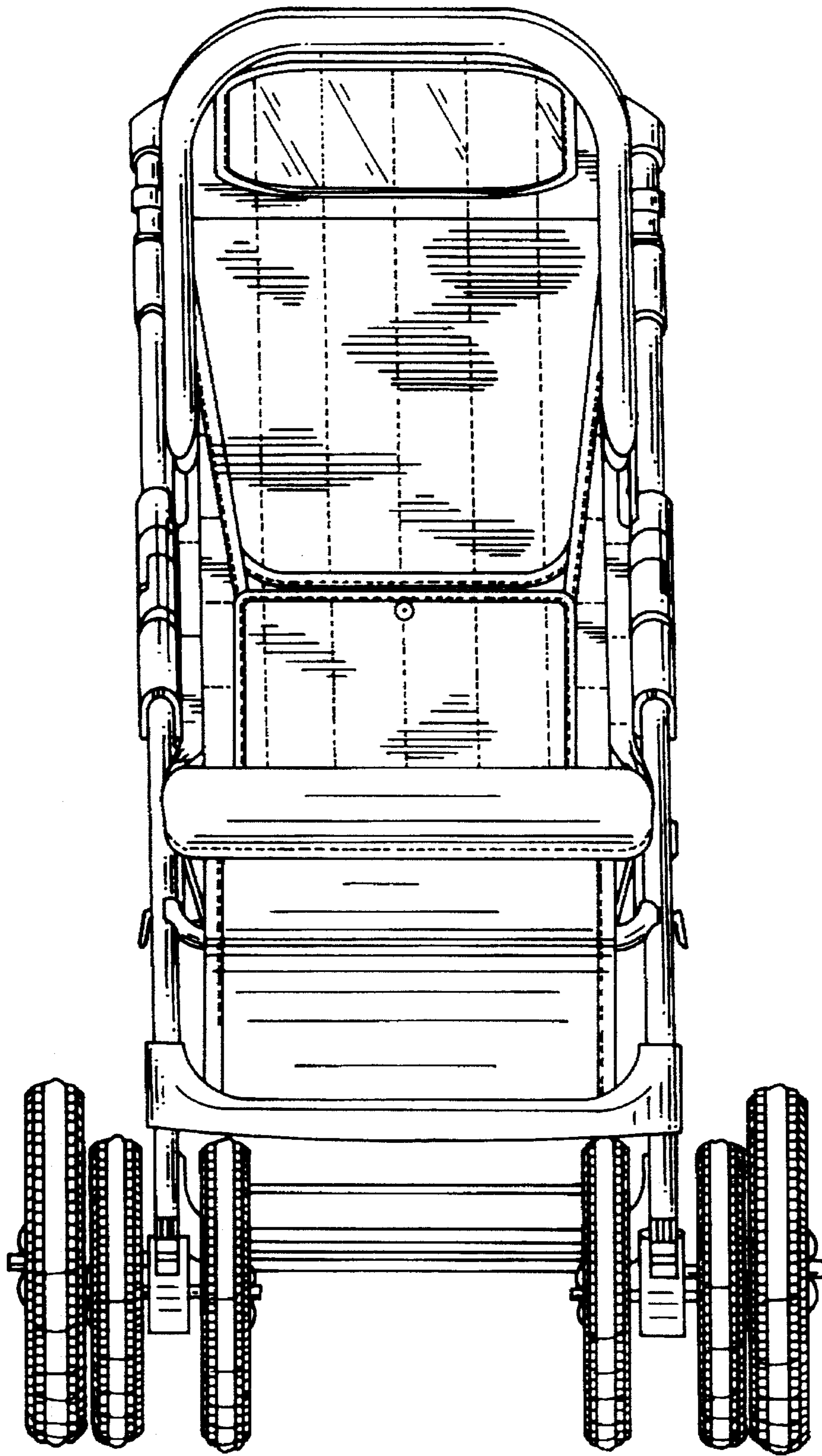


FIG. 3

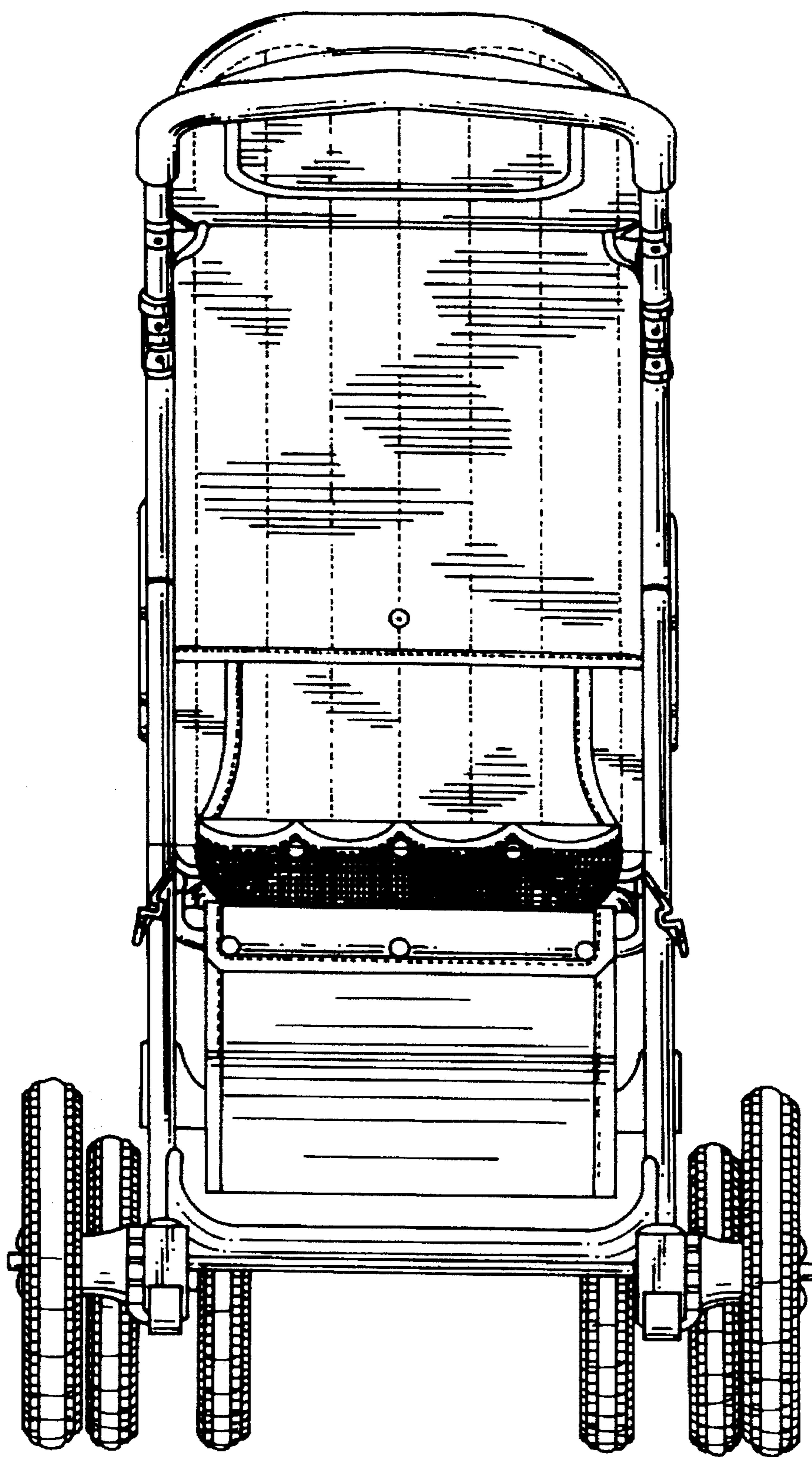


FIG. 4

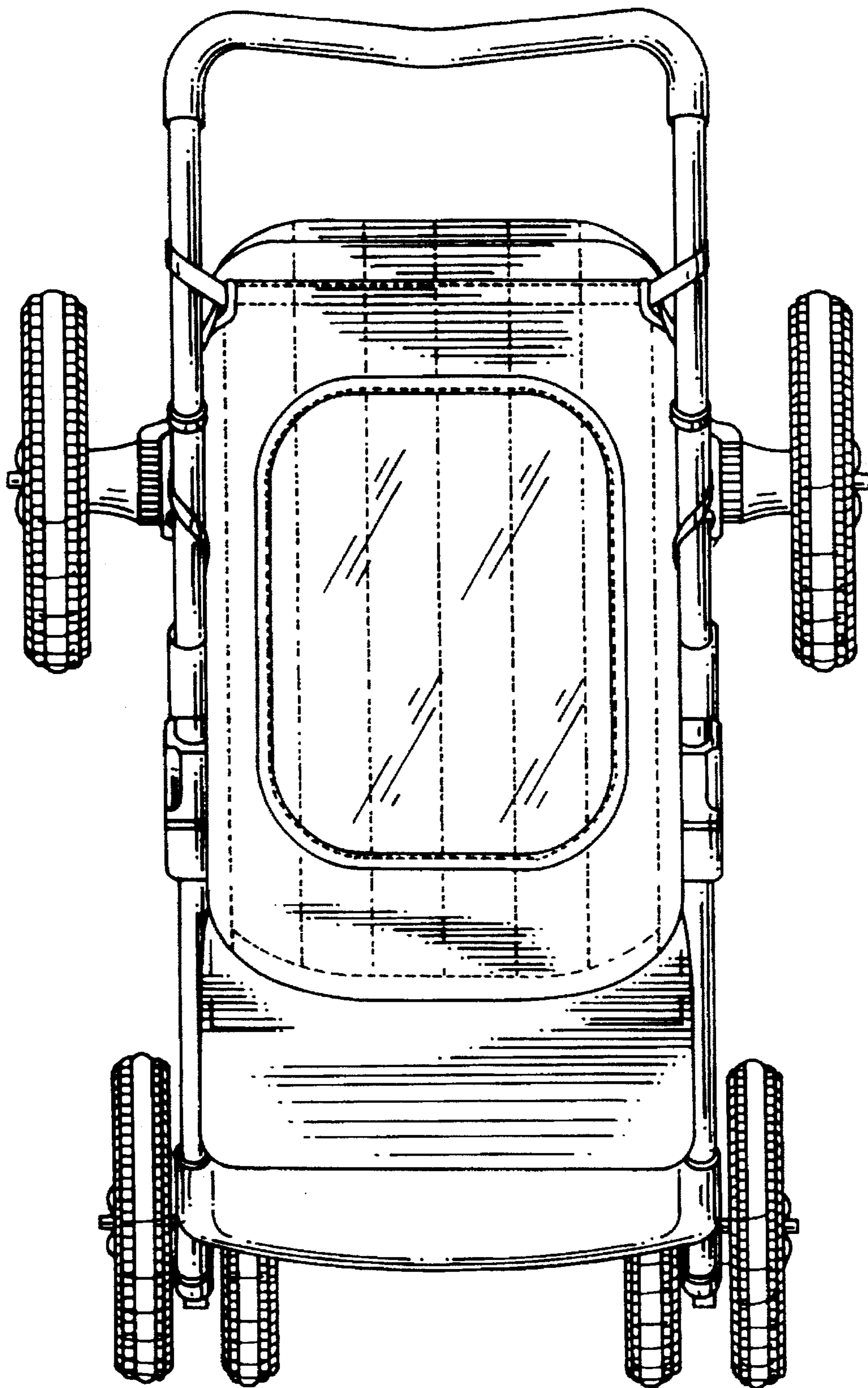


FIG. 5

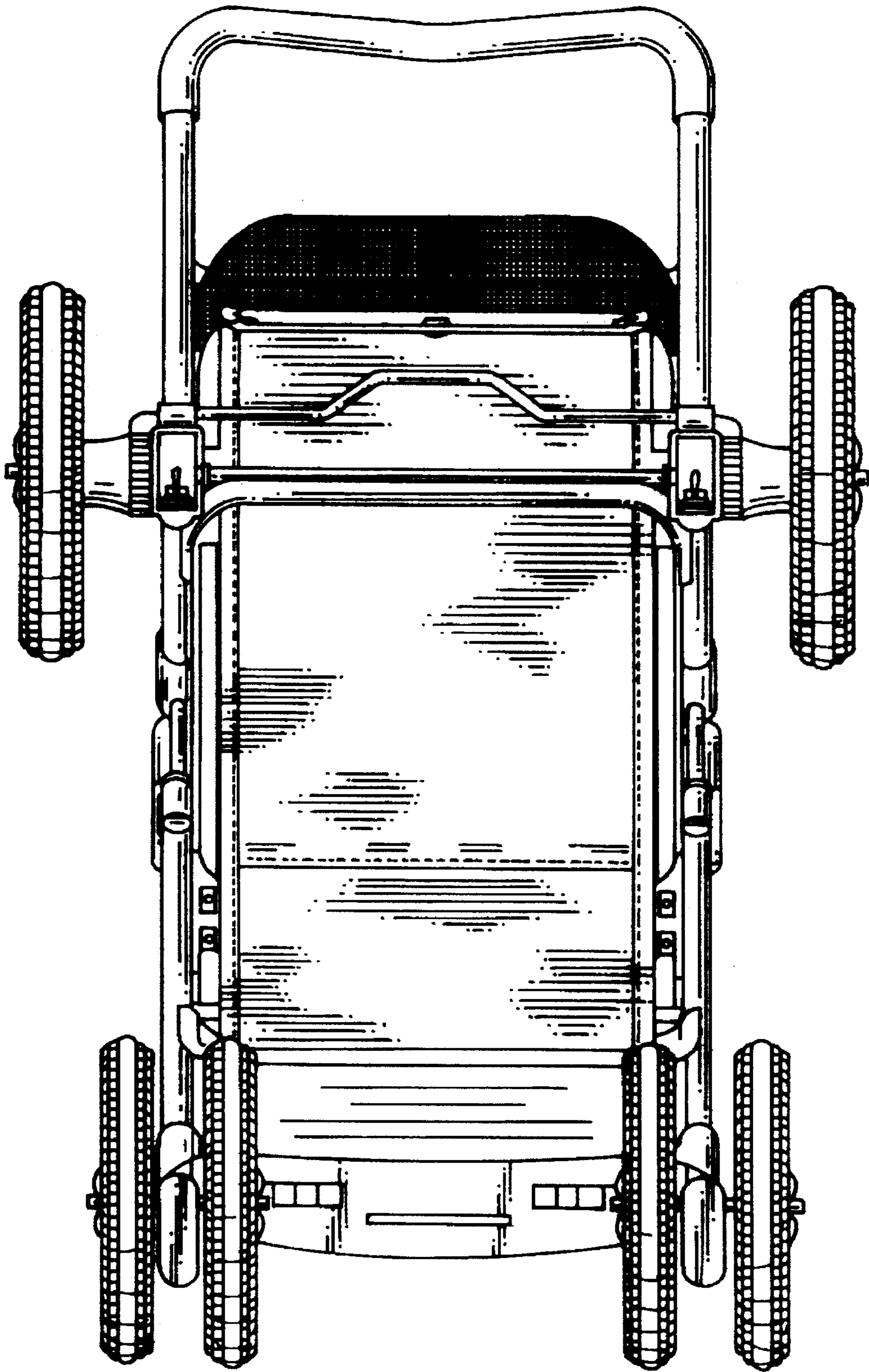


FIG. 6