



US00D382834S

United States Patent [19]

[11] Patent Number: Des. 382,834

Perlman et al.

[45] Date of Patent: **Aug. 26, 1997

[54] TRUCK BODY

[75] Inventors: **Dan Perlman**, Auburn; **Richard Gordon**, Shillington; **Jack O'Donnell**, Lancaster; **William Rahn**, Reading; **Lynn Gordon**; **Jim DeTemple**, both of Shillington, all of Pa.

[73] Assignee: **Reading Body Works, Inc.**, Shillington, Pa.

[**] Term: **14 Years**

[21] Appl. No.: **56,178**

[22] Filed: **Jun. 25, 1996**

[51] LOC (6) Cl. **12-08**

[52] U.S. Cl. **D12/98**

[58] Field of Search D12/98, 14, 196, D12/169; 296/24.1, 37.6, 183, 50, 55, 57

[56] References Cited

U.S. PATENT DOCUMENTS

D. 301,572	6/1989	McKinnon	D12/196
D. 323,476	1/1992	Shea, Sr.	D12/100
D. 342,930	1/1994	Lewellen et al.	D12/98
D. 345,123	3/1994	Lewellen et al.	D12/98
D. 345,124	3/1994	Lewellen et al.	D12/98
D. 346,571	5/1994	Lewellen et al.	D12/98
D. 351,816	10/1994	Lewellen et al.	D12/98
D. 351,817	10/1994	Lewellen et al.	D12/98
2,722,352	11/1955	Dehnel	296/24.1
3,245,713	4/1966	Ogilvie	296/37.6
4,126,349	11/1978	Nelson	296/24.1
4,135,761	1/1979	Ward	296/37.6
4,170,119	10/1979	Kalis, Jr.	70/221
4,861,096	8/1989	Hastings	296/183
5,188,414	2/1993	Burnham et al.	296/37.6
5,239,753	8/1993	Kalis, Jr. et al.	29/897.2
5,267,773	12/1993	Kalis, Jr. et al.	296/183
5,368,357	11/1994	Kalis, Jr. et al.	296/183

OTHER PUBLICATIONS

"Utility, Construction Show Nation's Largest," Trailer/Body Builders, Oct. 1981, p. 30.

"What's New in Wreckers —New Holmes Bantam Wrecker," Trailer/Body Builders, Feb. 1983, p. 68.

"New Work Van Has a Cab Connector," Trailer/Body Builders, Nov. 1983, p. 39.

"Truck Equipment Roundup," Trailer/Body Builders, Oct. 1983, p. 54.

"Maximum Storage Capacity Offered," Trailer/Body Builders, Jan. 1981, p. 101.

Advertisement, Kindwall Corporation, Trailer/Body Builders, Jan. 1981, p. 12.

"Light Truck Accessories," Trailer/Body Builders, Nov. 1985, p. 123.

"New Vehicles," Trailer/Body Builders, Jul. 1986, p. 384.

"Gem Top Introduces Its Poly Top", Trailer/Body Builders, Jul. 1986, p. 339.

Advertisement by Hanco Manufacturing Co., Trailer/Body Builders, Sep. 1983, p. 42.

"Gem Top Designs Cap for Isuzu Pickups," Trailer/Body Builders, Mar. 1989, p. —.

"Products demonstrated at the TBEA Convention," Trailer/Body Builders, Nov. 1981, p. 90.

"Chevrolet Introduces New Small Pickup," Trailer/Body Builders, Oct. 1981, p. 44.

"Putting Together an Open House . . ." Trailer/Body Builders, Sep. 1982, p. 62.

(List continued on next page.)

Primary Examiner—Melody N. Brown

Attorney, Agent, or Firm—William H. Murray; Robert E. Rosenthal

[57] CLAIM

The ornamental design for a truck body, as shown.

DESCRIPTION

FIG. 1 is a perspective view of a truck body showing our new design;

FIG. 2 is a right side elevational view thereof;

FIG. 3 is a left side elevational view thereof;

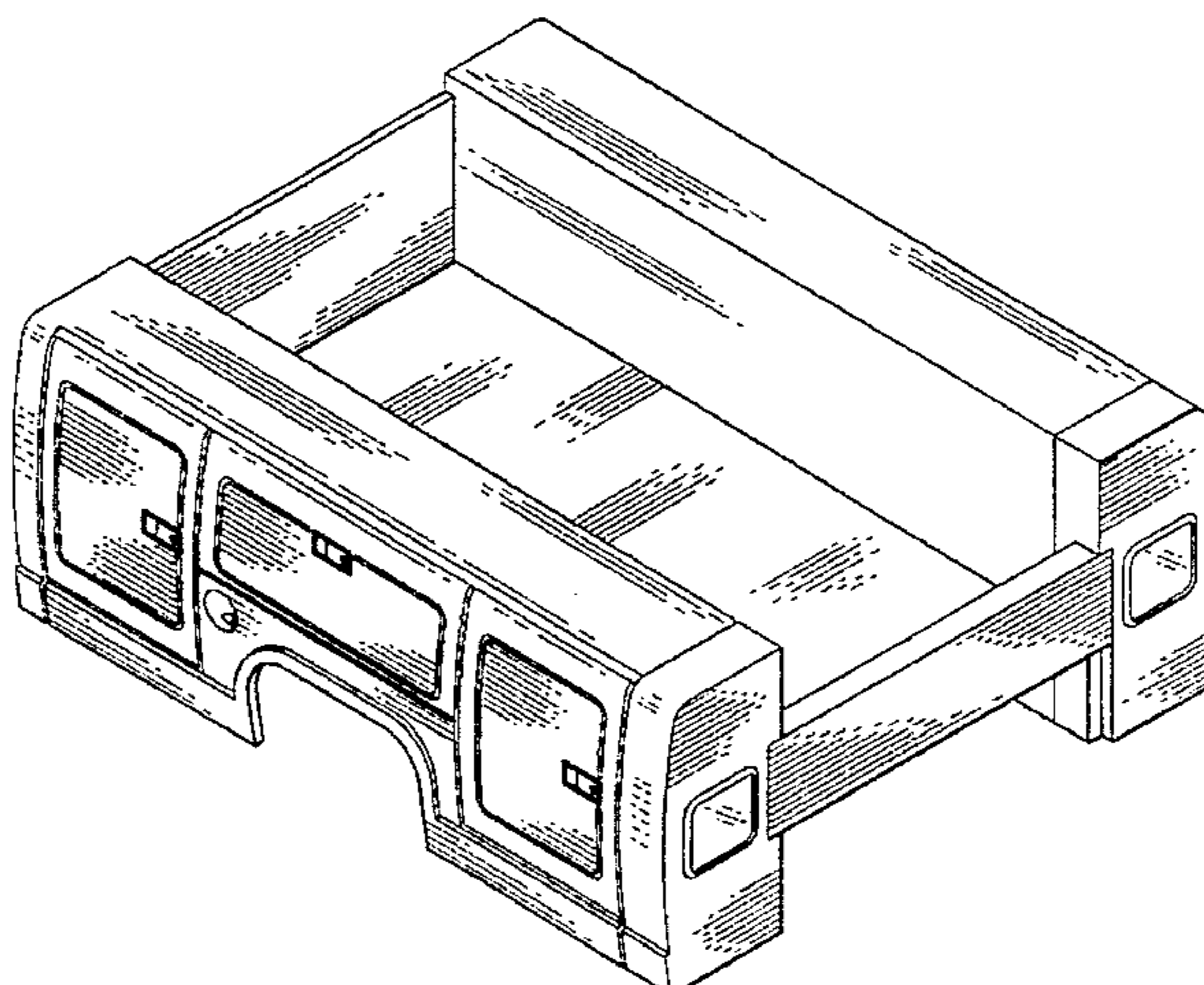
FIG. 4 is a top plan view thereof;

FIG. 5 is a bottom plan view thereof;

FIG. 6 is a front plan view thereof; and,

FIG. 7 is a rear plan view thereof.

1 Claim, 5 Drawing Sheets



OTHER PUBLICATIONS

Advertisement, Husky Corporation, Trailer/Body Builders, Mar. 1985, p. 85.

"What's New In Pickup Truck Accessories," Trailer/Body Builders, Feb. 1982, p. 103.

"New Aerodynamically Styled Truck Cap," Trailer/Body Builders, Mar. 1987, p. 163.

"Gem Top's Navijo Features Curved Glass," Trailer/Body Builders, Apr. 1986, p. 58.

Advertisement by Weather Guard, Trailer/Body Builders, Apr. 1986, p. 137.

Advertisement by Hanco Manufacturing Company, Trailer/Body Builders, Jul. 1987, p. 28.

General Motors Corporation, 1991 Chassis Layout and Body Builder's Instruction Drawings, Light and Medium Duty Models, Series 10/1500 through 70/7000 (cover).

1991 Dodge Truck Body Builders Guide, pp. 75-76.

General Motors Corporation 1989 Chassis Layout and Body Builder's Instruction Drawings, Light and Medium Duty Models, Series 10/1500 Through 70/7000, p. 28 and Drawing TX-012953.

General Motors Corporation 1990 Chassis Layout and Body Builder's Instruction Drawings, Light and Medium Duty Models, Series 10/1500 Through 70/7000, pp. 30 & 82.

General Motors Corporation 1991 Chassis Layout and Body Builder's Instruction Drawings, Light and Medium Duty Models, Series 10/1500 Through 70/7000, cover, pp. 22 & 37.

1989 Ford Truck Body Builders Layout Book, pp. A8 & F-Series Pickup Bodies.

1990 Ford Truck Body Builders Layout Book, Dimensional Data-Ranger Pickup Body; F-Series Pickup Body.

1991 Ford Truck Body Builders Layout Book, pp. A8 & B28.

Advertisement by Delco GM, S-Truck and M-2000 Radio, 1982.

Advertisement by Core Industries Inc. Mt. Clemens, Michigan, "Cover your pick-up with a Mark-Van!" 1982.

Advertisement by Chevrolet, Trailer/Body Builders, Jan. 1991, p. 15.

"New Products," Trailer/Body Builders, Mar. 1991, p. 69.

Advertisement by The Crown Divisions of The Allen Group Inc., Trailer/Body Builders, Mar. 1991, p. 69.

Advertisement by Rugby Manufacturing Co., Rugby, North Dakota, Trailer/Body Builders, Mar. 1991, p. 71.

"Truck Cap Industry Meeting," Trailer/Body Builders, Mar. 1991, p. 136.

Trailer/Body Builders, Mar. 1991, pp. 133 & 134.

Trailer Body/Builders, Mar. 1991, p. 137.

1991 Truck & Chassis Guide, Trailer/Body Builders, Nov. 1990, pp. 98-114, pp. 119-130.

1990 Truck & Chassis Guide, Trailer/Body Builders, Nov. 1989, pp. 97-112.

Toyota Pickups, Chassis, Vans, and Utility Vehicles, Truck/Body Builders, Nov. 1989, p. 113.

Light Trucks -1989 Truck & Chassis Guide, Trailer/Body Builders, Nov. 1988, pp. 112-156.

Industry News, Trailer/Body Builders, Jul. 1989, p. 12.

1986 Mazda B2000 Truck Bulletin.

1988 Truck & Chassis Guide, Trailer/Body Builders, Nov. 1987, pp. 116-152.

1987 Truck & Chassis Guide, Trailer/Body Builders, Nov. 1986, pp. 100-136.

GMC Truck News, vol. 46, No. 4, Aug. 1981.

1986 Mazda B2000 Trucks brochure.

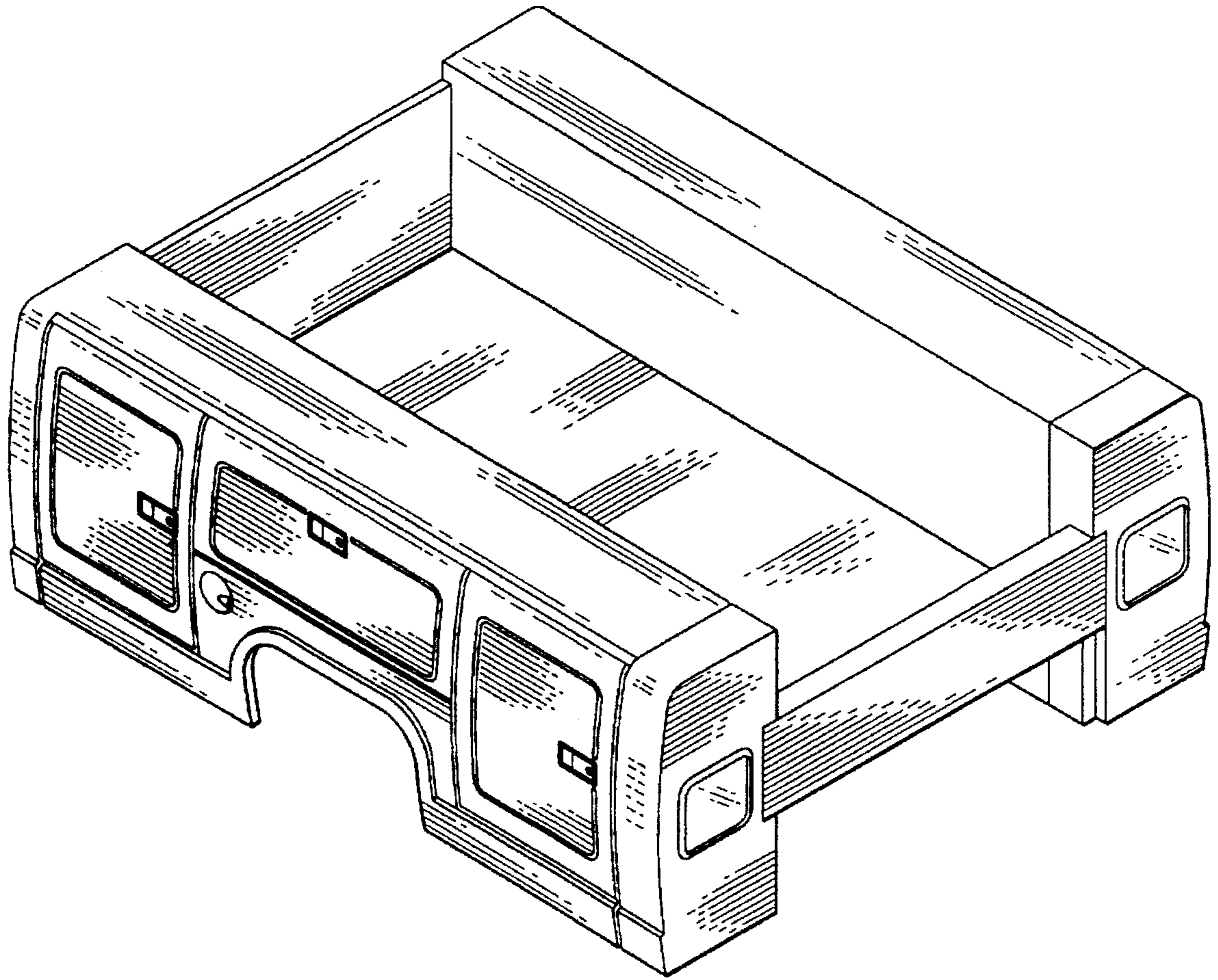


FIG. 1

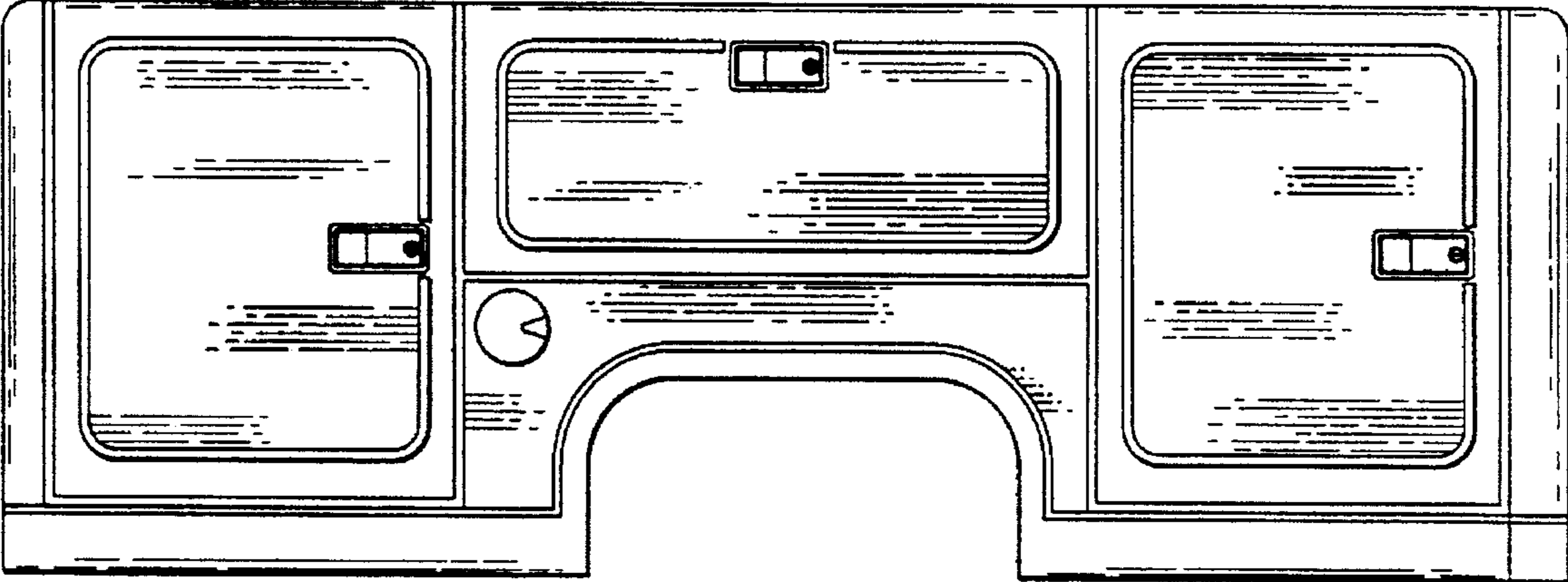


FIG. 2

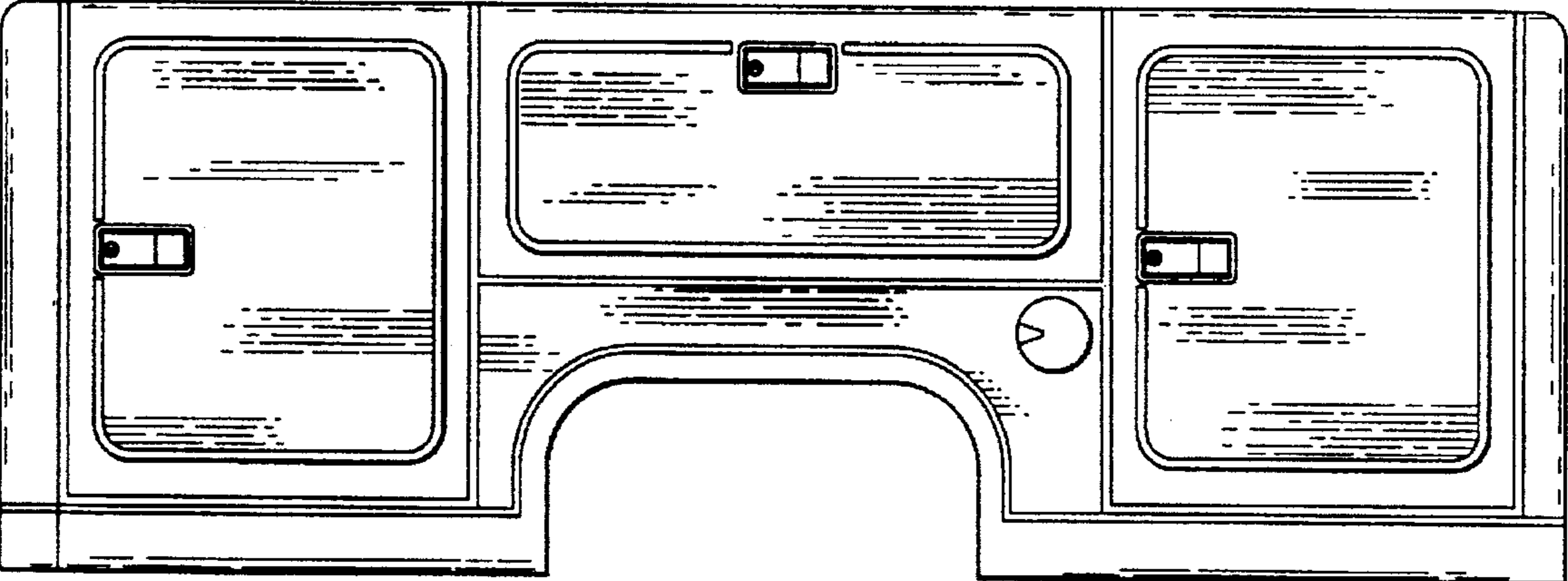


FIG. 3

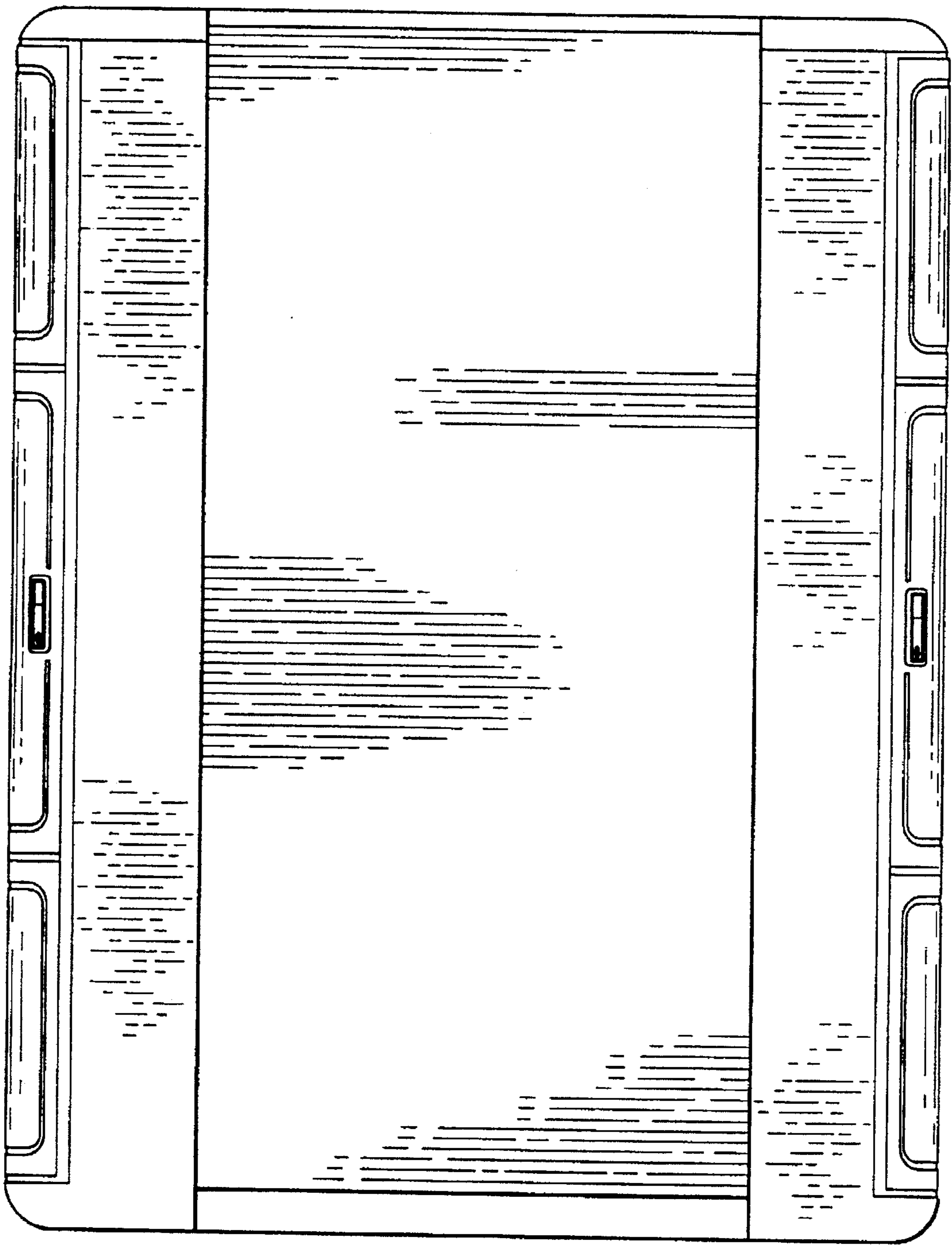


FIG. 4

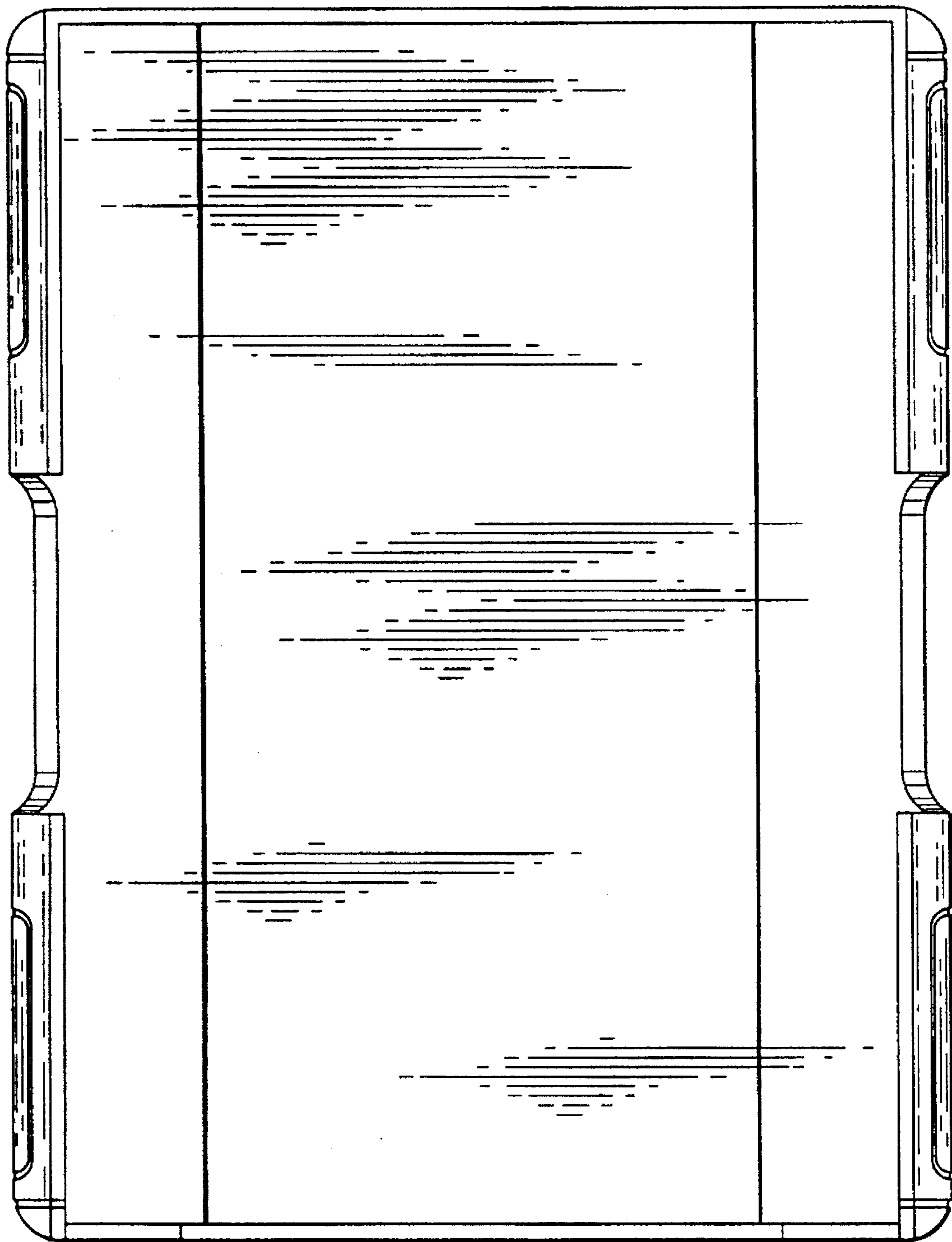


FIG. 5

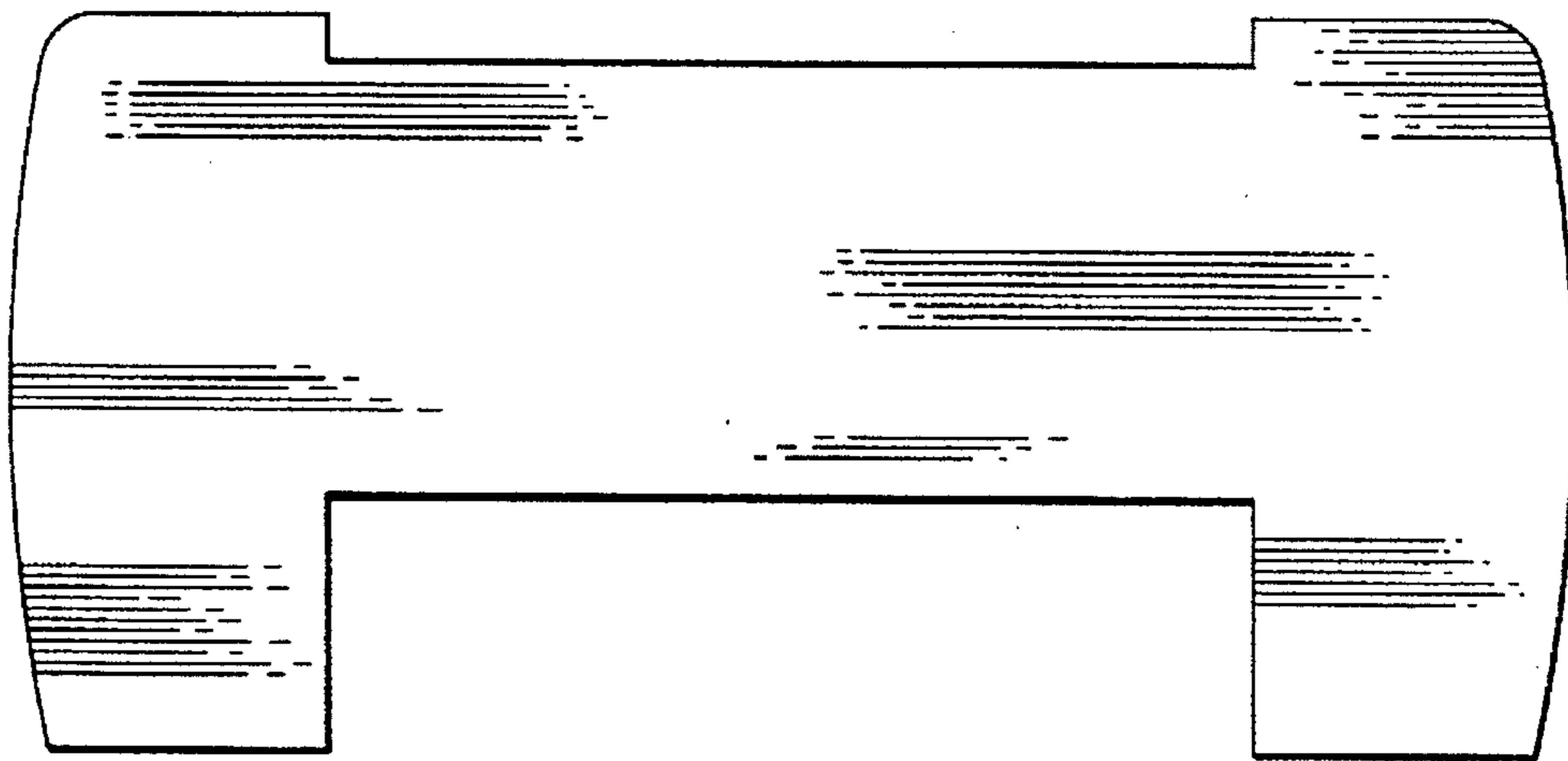


FIG. 6

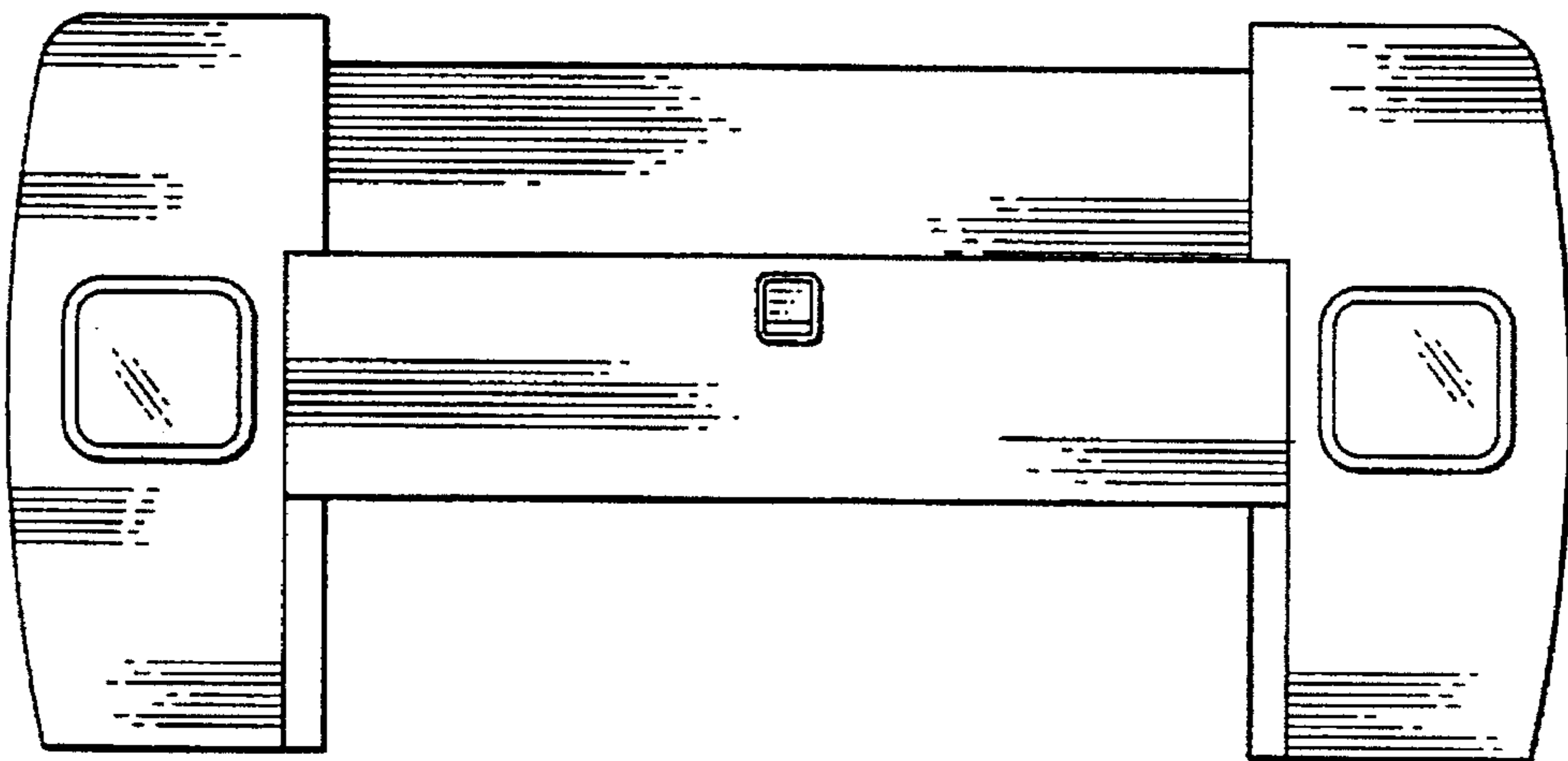


FIG. 7