



US00D382823S

United States Patent [19]

[11] Patent Number: **Des. 382,823**

Newland, Jr. et al.

[45] Date of Patent: ****Aug. 26, 1997**

[54] **COMBINED SMOKE DETECTOR AND REMOTE ALARM**

[76] Inventors: **James A. Newland, Jr.; Marilyn Newland**, both of 12 Ashton St., Holloway, Ohio 43985

[**] Term: **14 Years**

[21] Appl. No.: **56,379**

[22] Filed: **Jun. 27, 1996**

[51] LOC (6) Cl. **10-05**

[52] U.S. Cl. **D10/106**

[58] Field of Search D10/104, 106, D10/116, 121; 340/540, 545, 571, 572, 573, 627, 628, 629, 630; D14/174

[56] **References Cited**

U.S. PATENT DOCUMENTS

- D. 297,219 8/1988 Taylor D10/106
- D. 333,796 3/1993 Bannon D10/106
- D. 337,734 7/1993 Platt D10/106

Primary Examiner—Marcus A. Jackson
Attorney, Agent, or Firm—Harold H. Dutton, Jr.; Diane F. Liebman

[57] **CLAIM**

The ornamental design for a combined smoke detector and remote alarm, as shown and described.

DESCRIPTION

FIG. 1 is a perspective view of a combined smoke detector and remote alarm showing our new design, with the wire broken away to indicate indeterminate length;

FIG. 2 is a top plan view of the smoke detector portion thereof, with the remote alarm portion emitted for clarity of illustration only;

FIG. 3 is a bottom view thereof;

FIG. 4 is a front view thereof; and the rear view is a mirror image thereof;

FIG. 5 is a right view thereof;

FIG. 6 is a left view thereof;

FIG. 7 is a top plan view of the remote alarm portion, with the smoke detector portion emitted for clarity of illustration only;

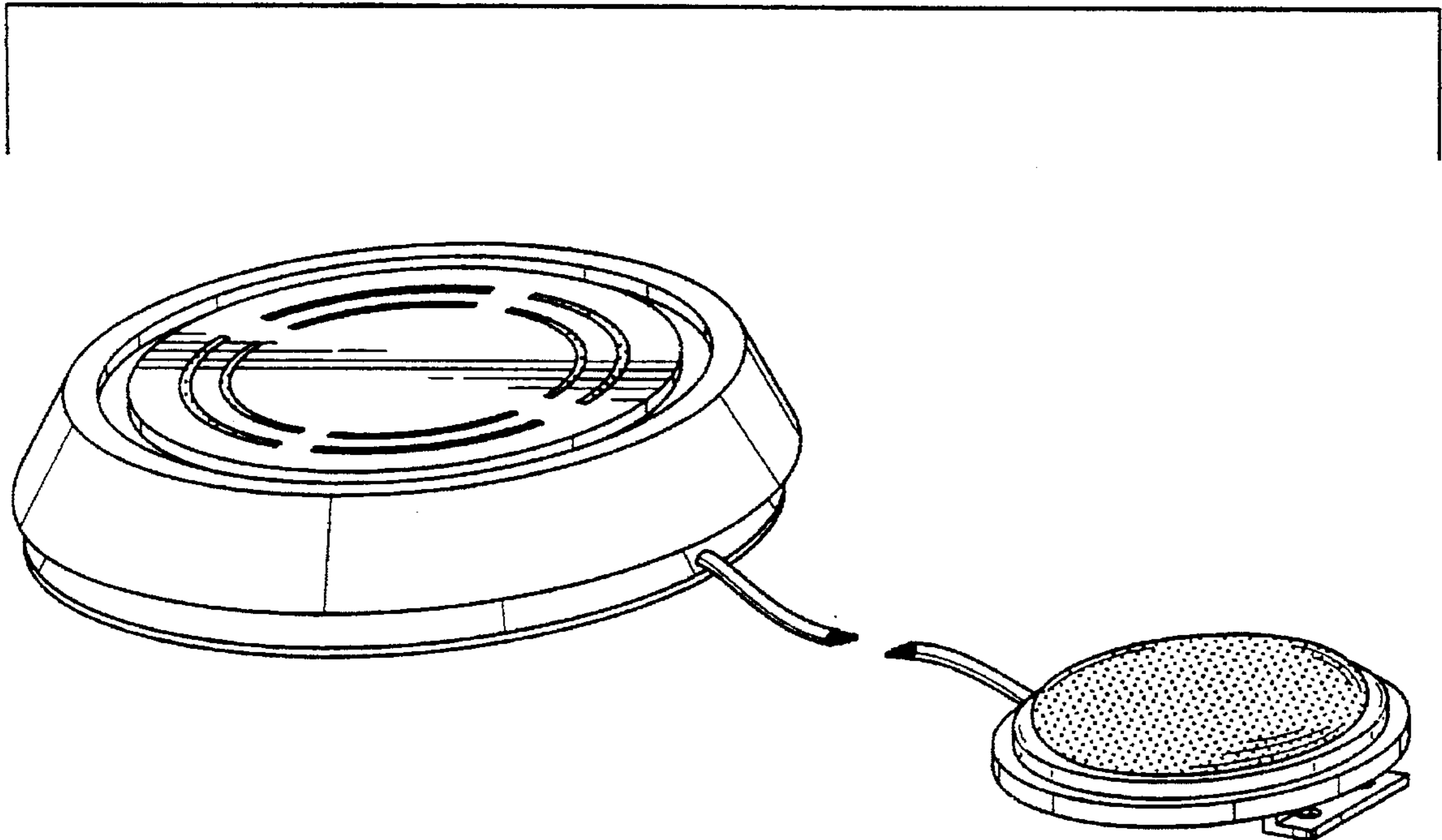
FIG. 8 is a bottom view thereof;

FIG. 9 is a rear view thereof; and the front view is a mirror image thereof;

FIG. 10 is a left view thereof; and,

FIG. 11 is a right view thereof.

1 Claim, 5 Drawing Sheets



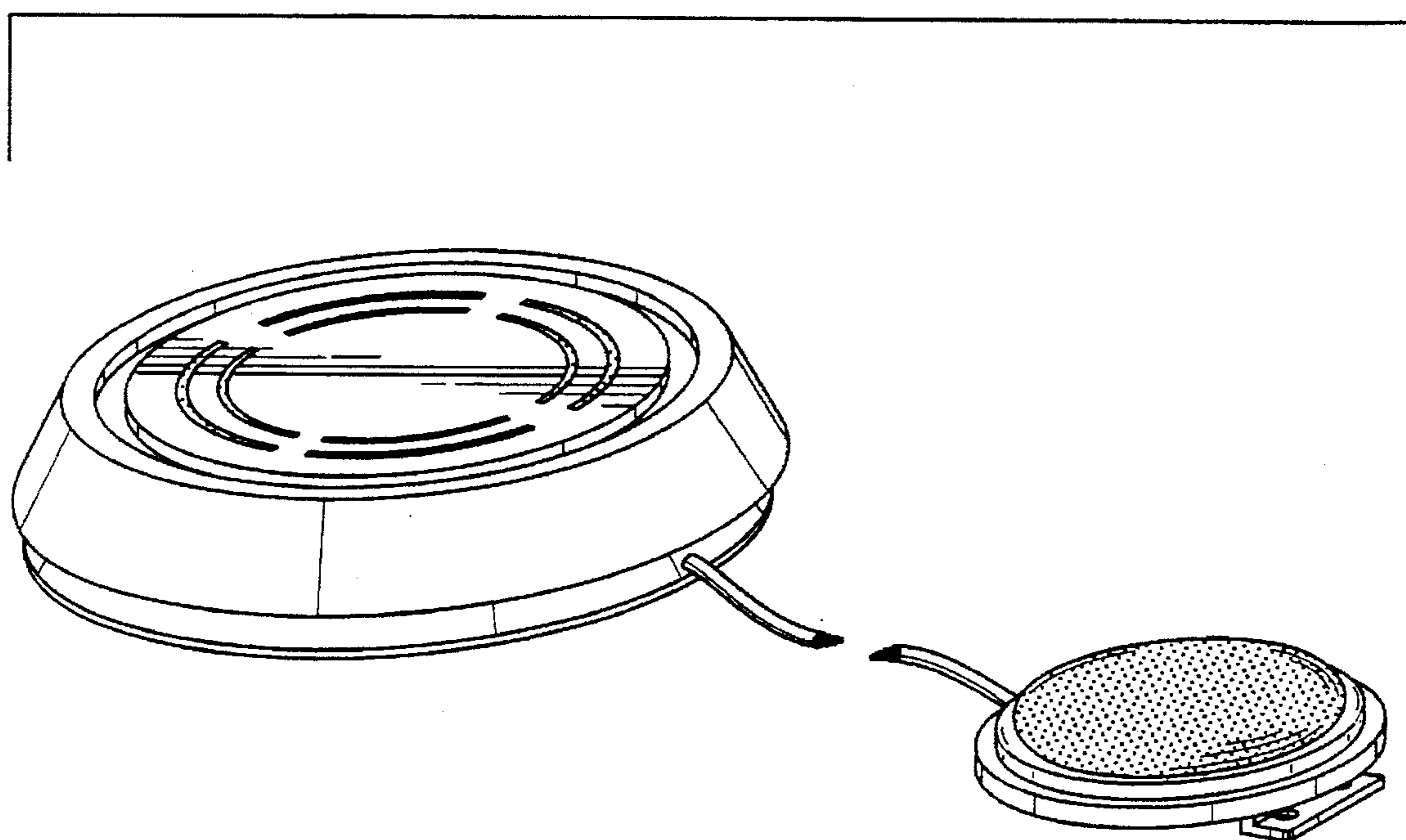


FIG. 1

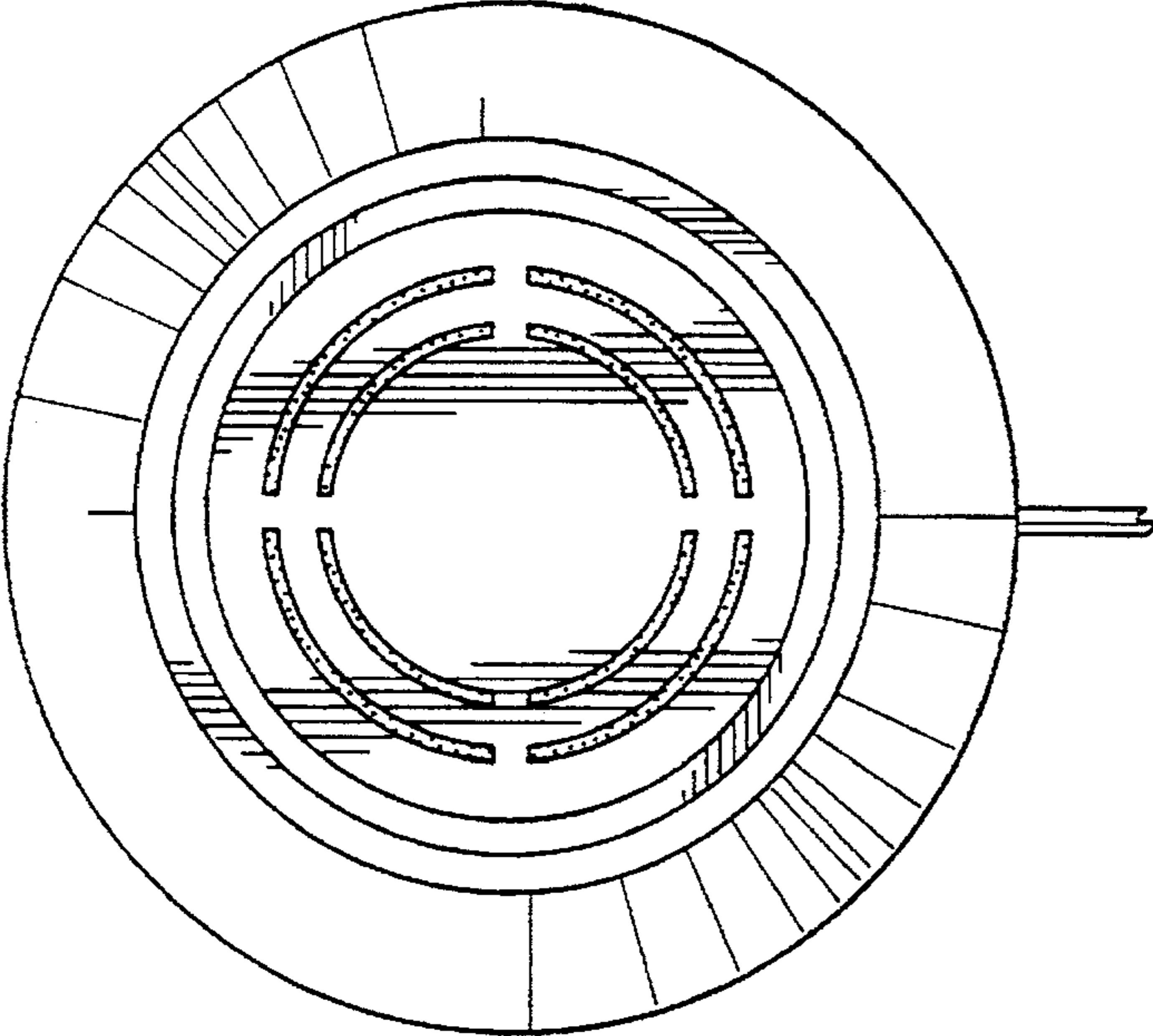


FIG. 2

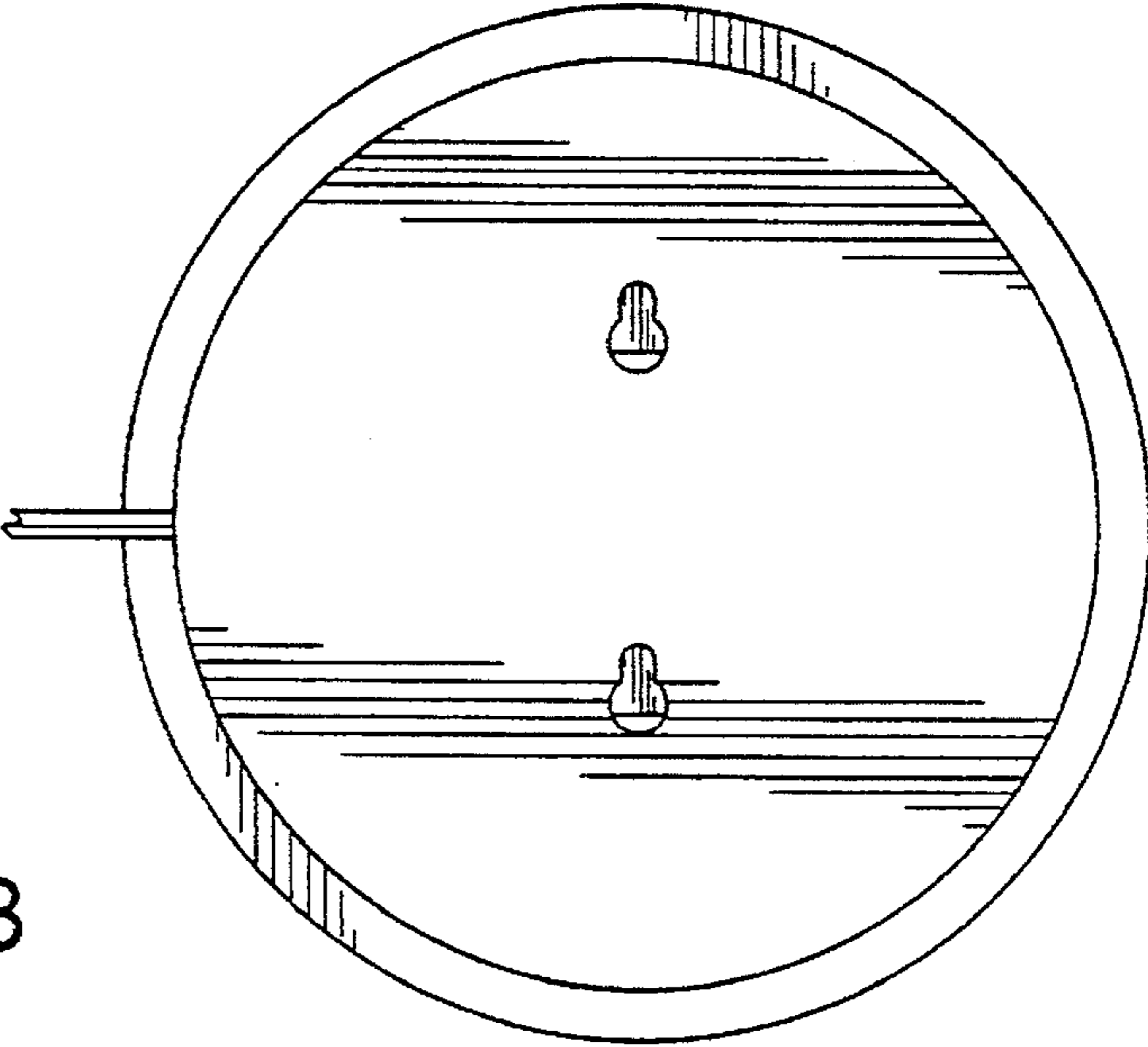


FIG. 3

FIG. 4

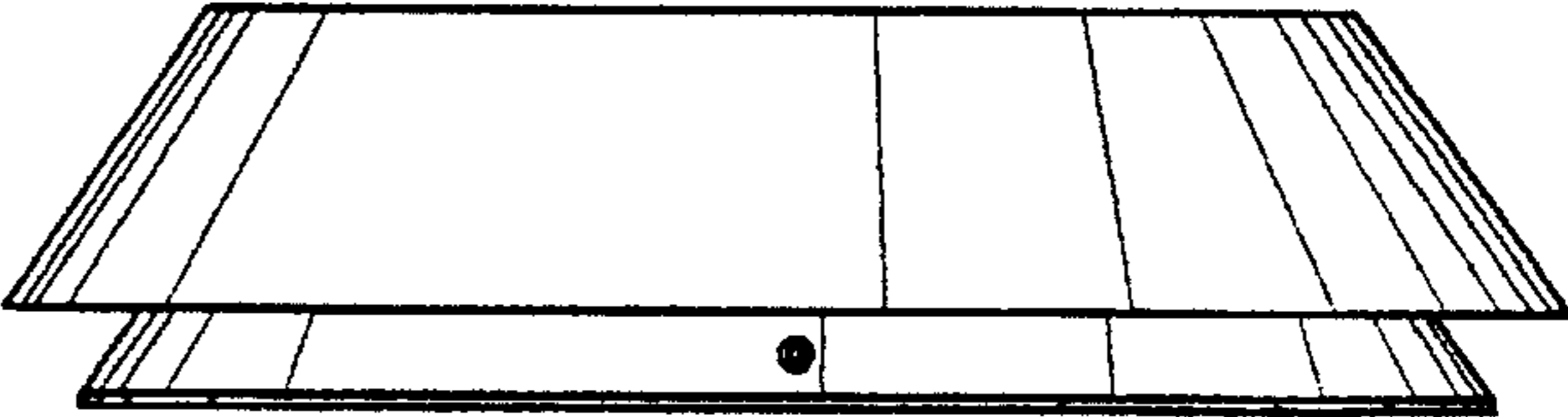
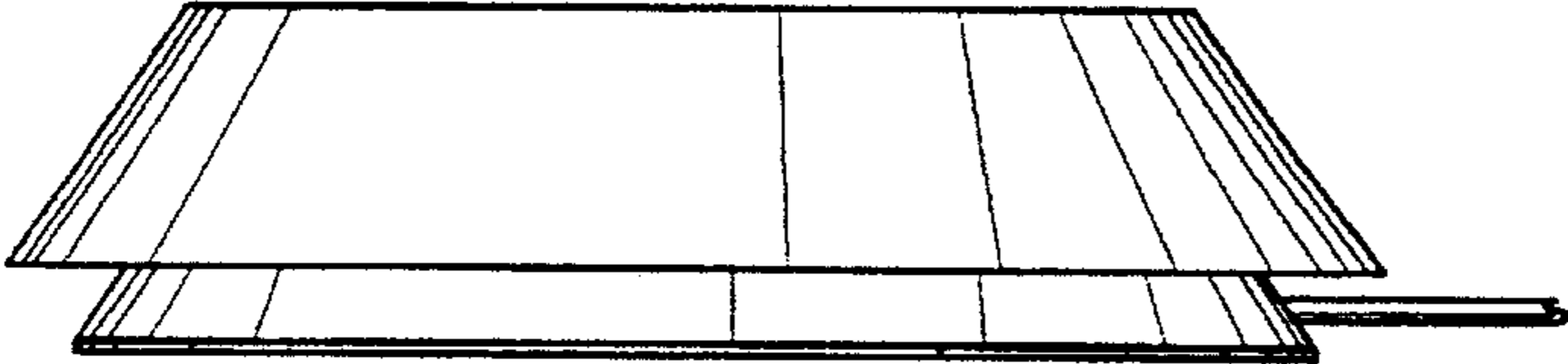
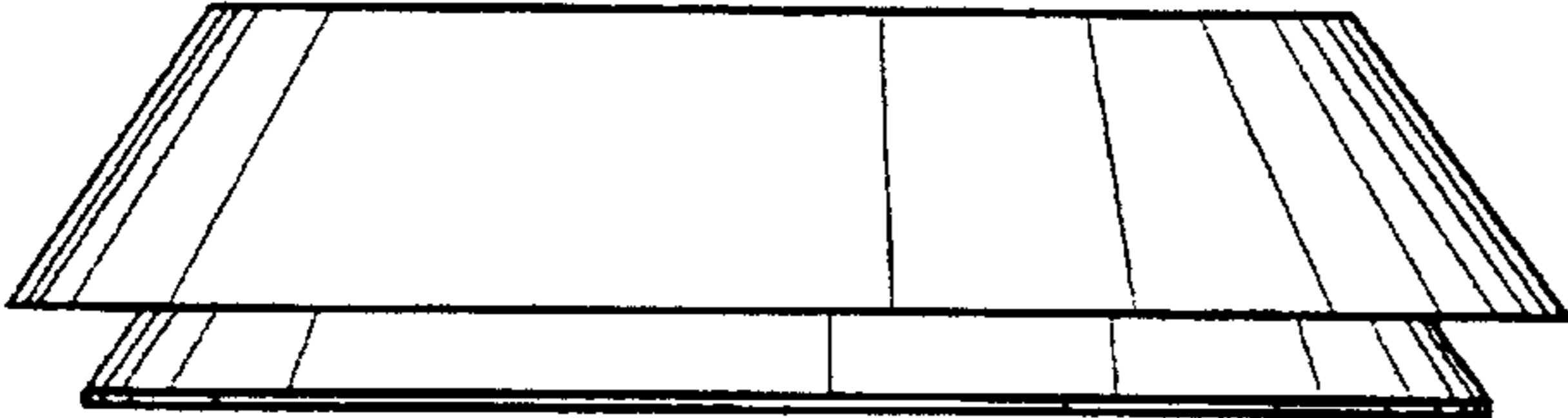


FIG. 5

FIG. 6



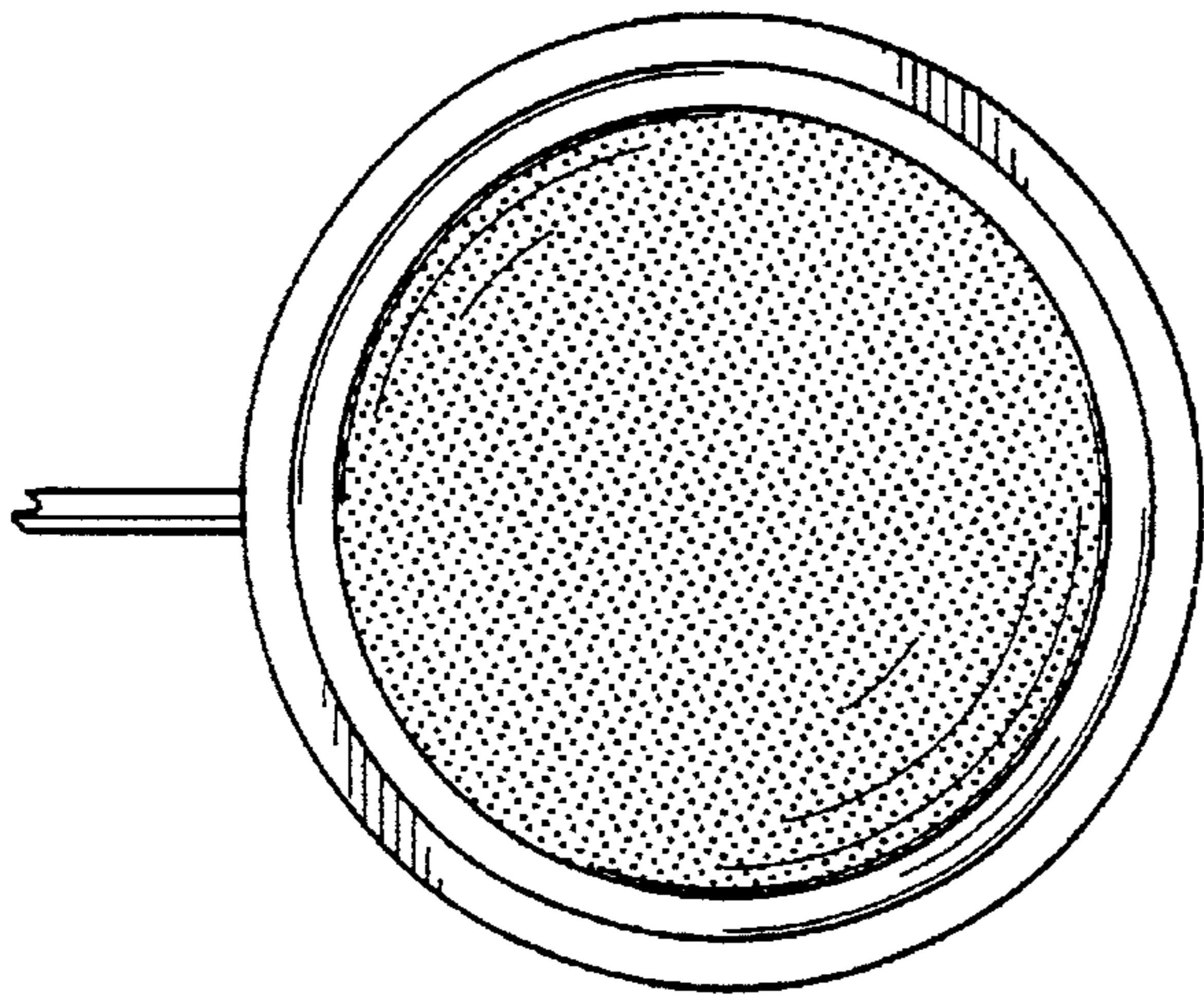


FIG. 7

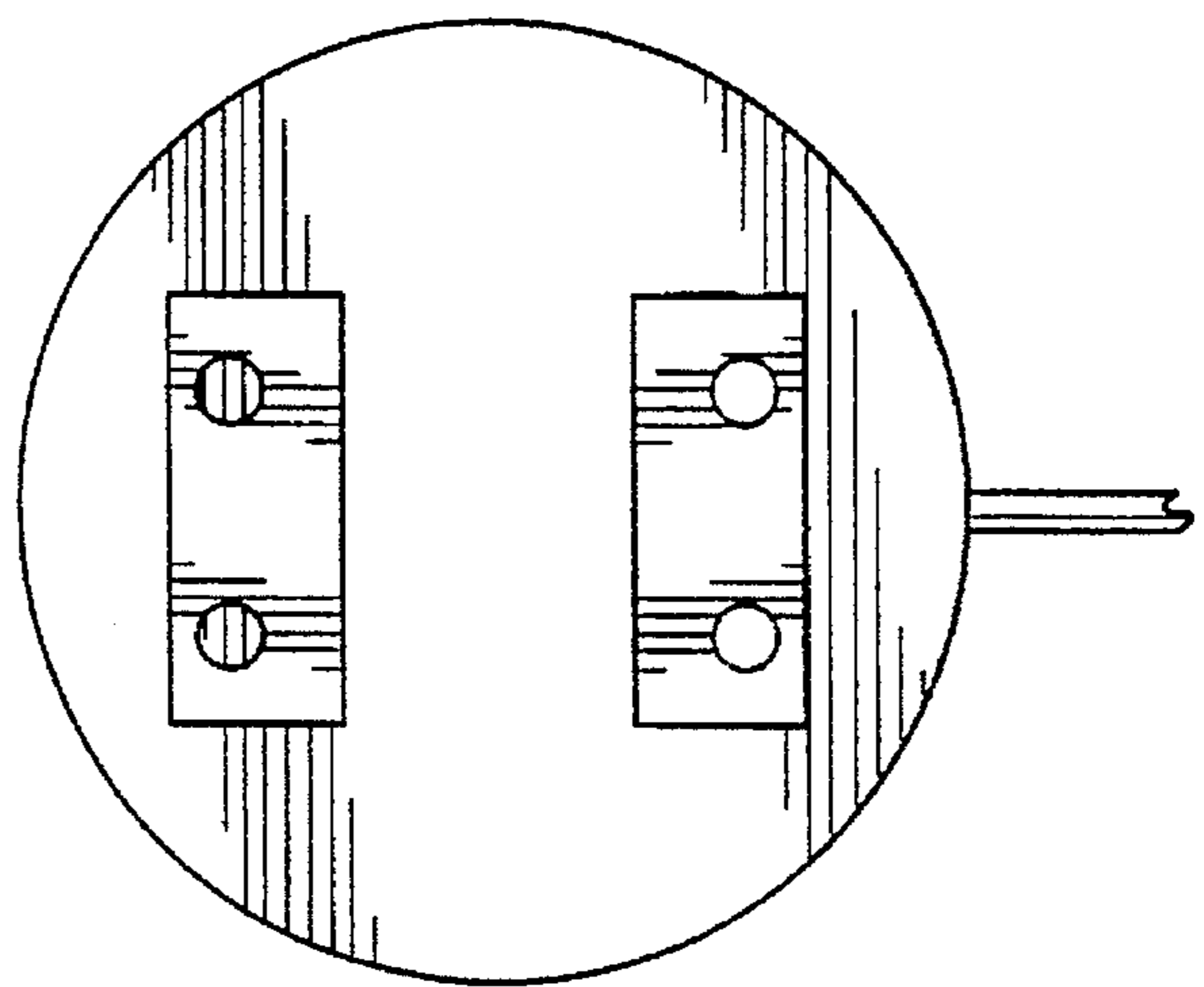


FIG. 8

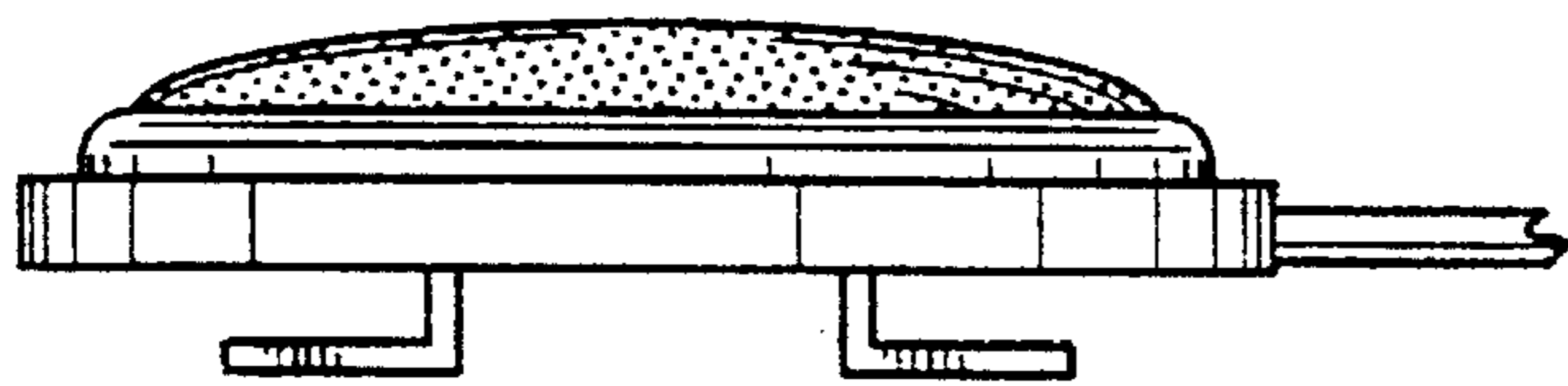


FIG. 9

FIG. 10

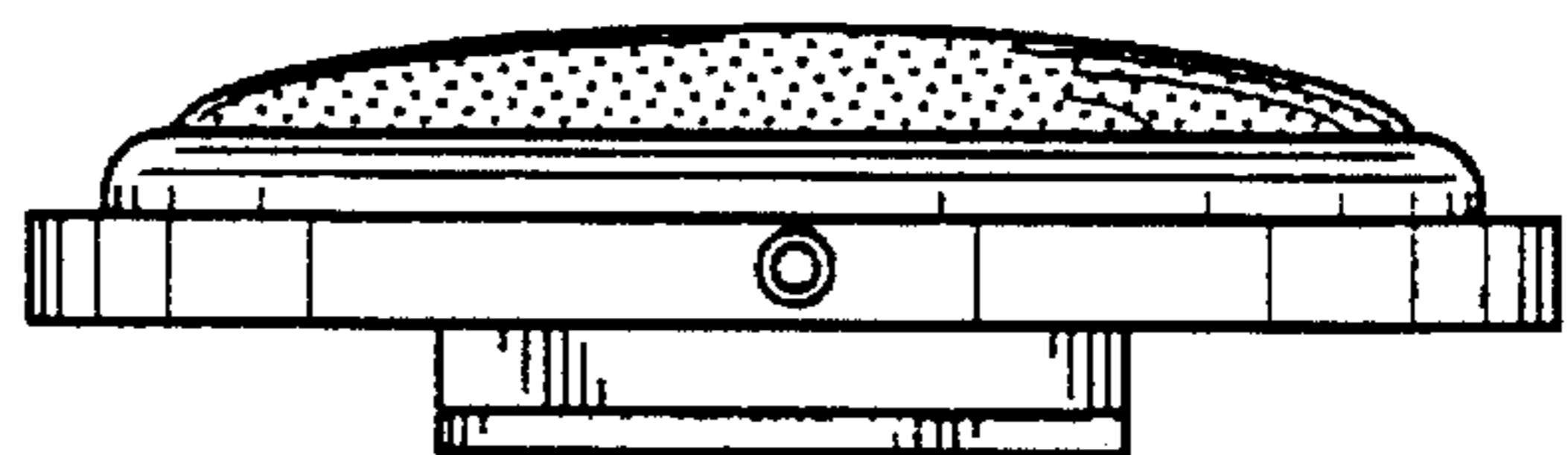


FIG. 11

