



US00D382822S

**United States Patent** [19]  
**Maurer**

[11] **Patent Number: Des. 382,822**

[45] **Date of Patent: \*\*Aug. 26, 1997**

[54] **FORCE SENSOR**

[76] **Inventor: D. Joseph Maurer, 785 N. Silberman Rd., Pearl City, Ill. 61062**

[\*\*] **Term: 14 Years**

[21] **Appl. No.: 57,189**

[22] **Filed: Jul. 18, 1996**

[51] **LOC (6) Cl. .... 10-04**

[52] **U.S. Cl. .... D10/83**

[58] **Field of Search ..... D10/83, 84, 85; 338/36, 47**

[56] **References Cited**

**U.S. PATENT DOCUMENTS**

5,353,003 10/1994 Maurer ..... 338/47  
5,581,226 12/1996 Shah ..... 338/36 X

*Primary Examiner*—Antoine Duval Davis  
*Attorney, Agent, or Firm*—William D. Lanyi

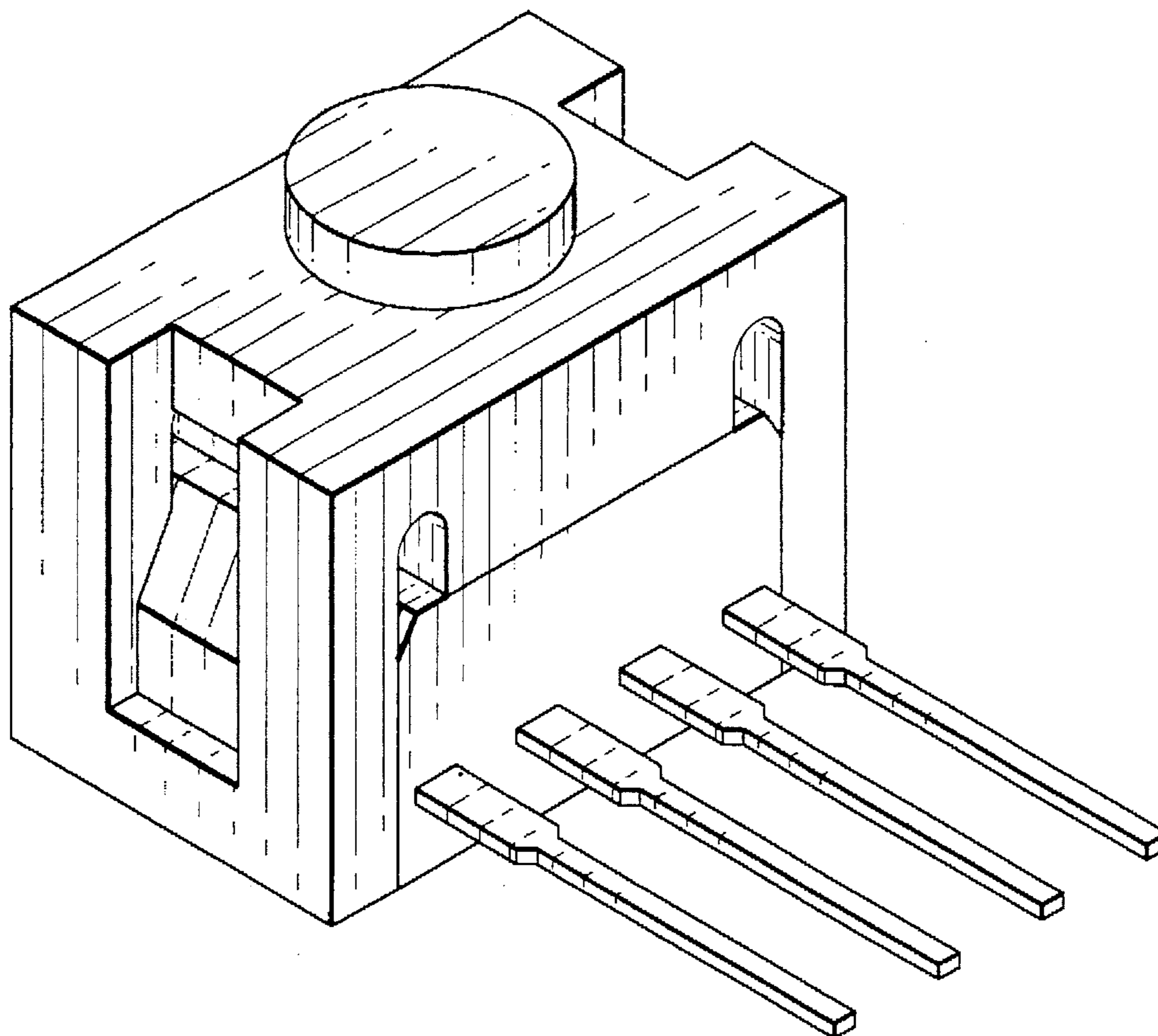
[57] **CLAIM**

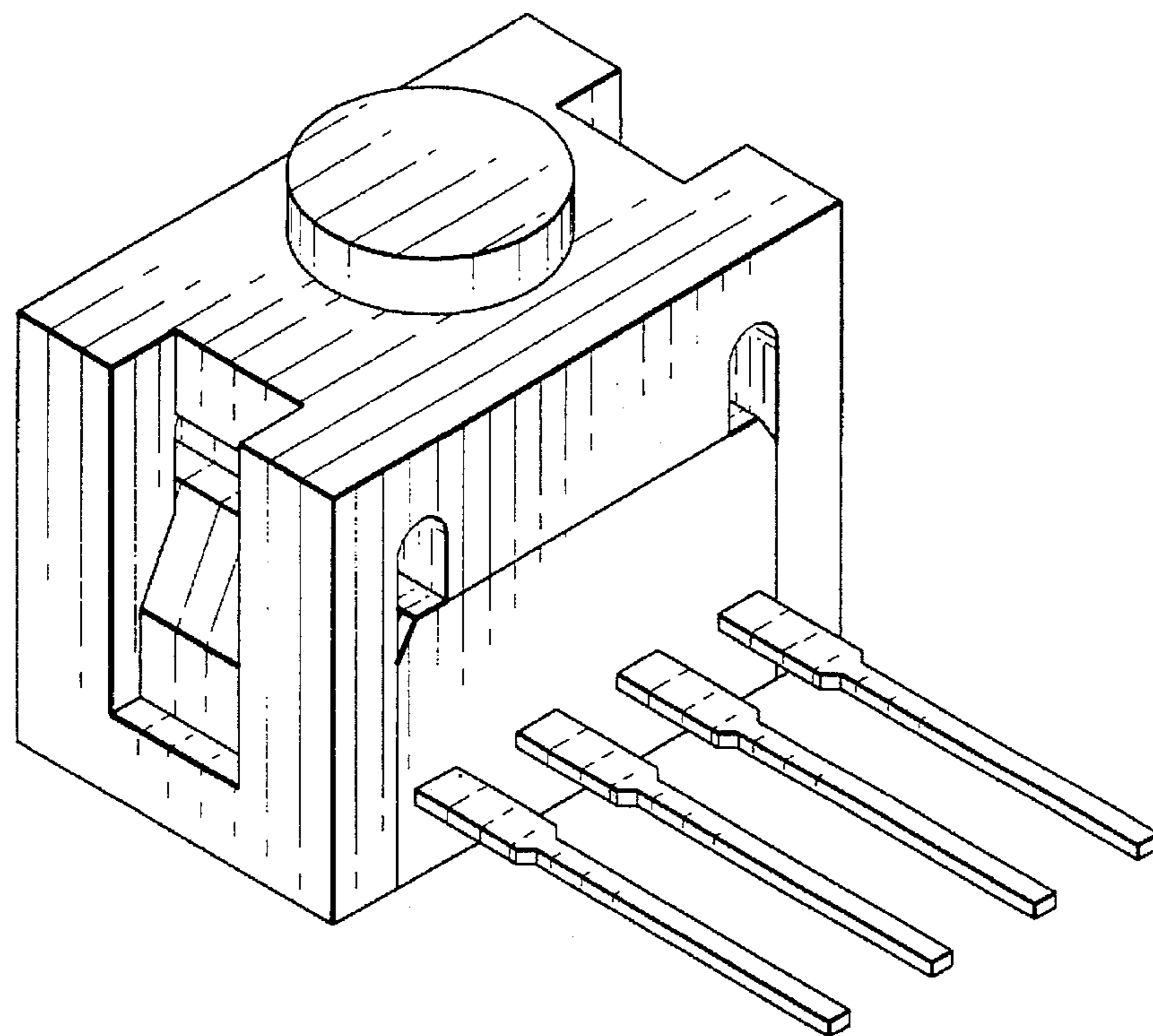
The ornamental design for a force sensor, as shown.

**DESCRIPTION**

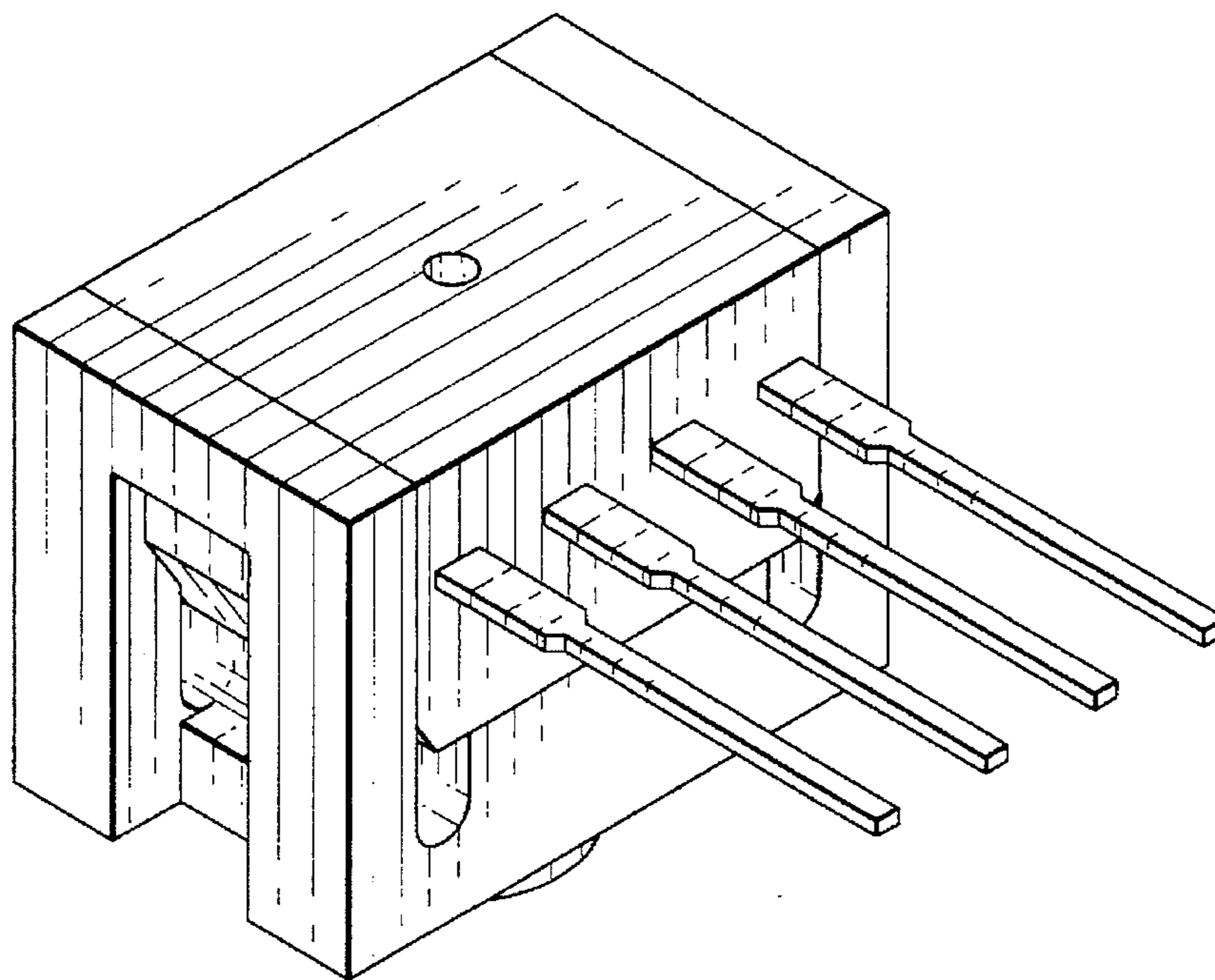
FIG. 1 is a top perspective view of the present invention; FIG. 2 is a bottom perspective view of the present invention; FIG. 3 is a front view of the present invention; FIG. 4 is a top view of the present invention; FIG. 5 is a bottom view of the present invention; FIG. 6 is a side view of the present invention; FIG. 7 is a side view of the present invention which is opposite to that of FIG. 6; and, FIG. 8 is a back view of the present invention which is opposite to that of FIG. 3.

**1 Claim, 3 Drawing Sheets**

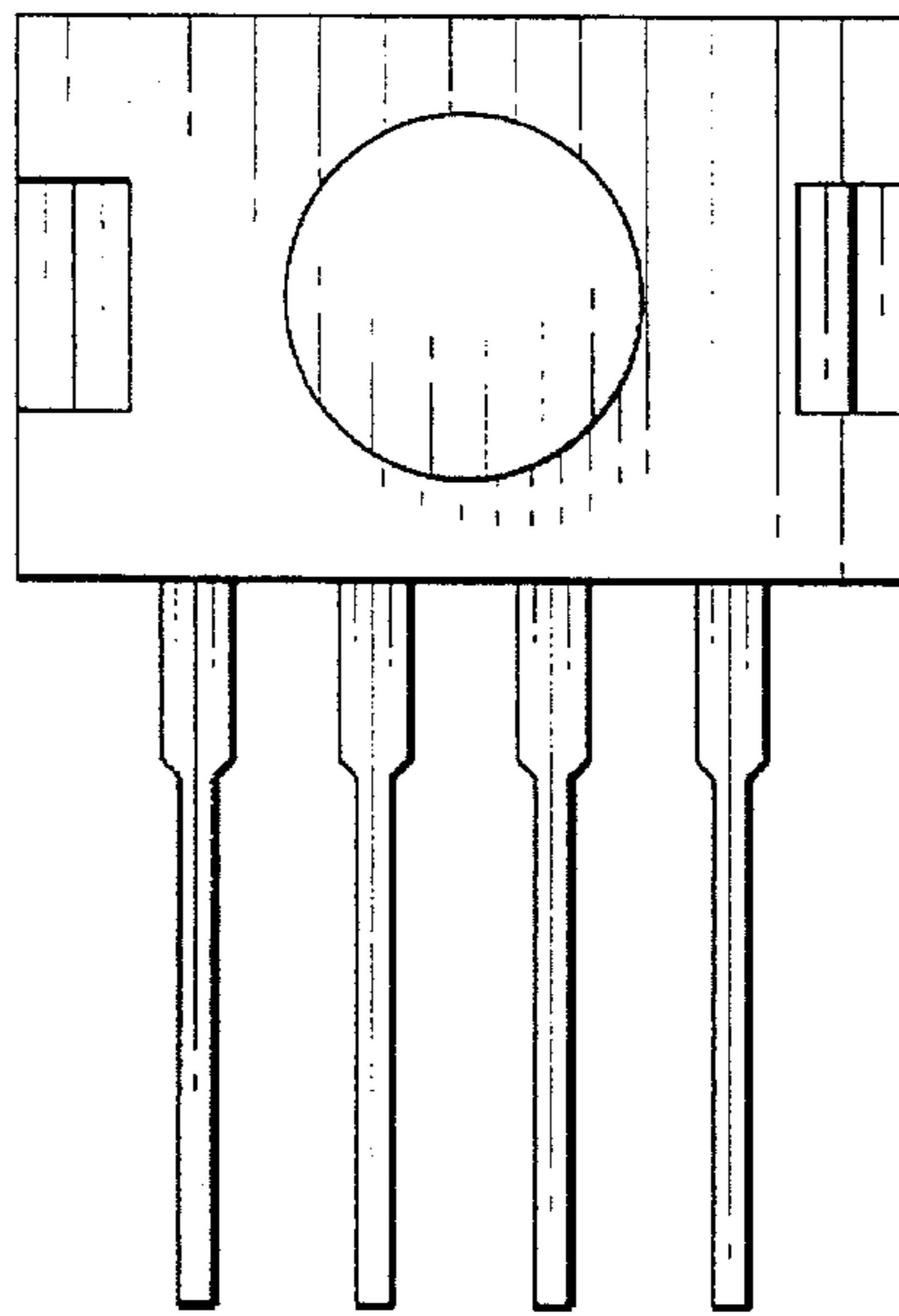




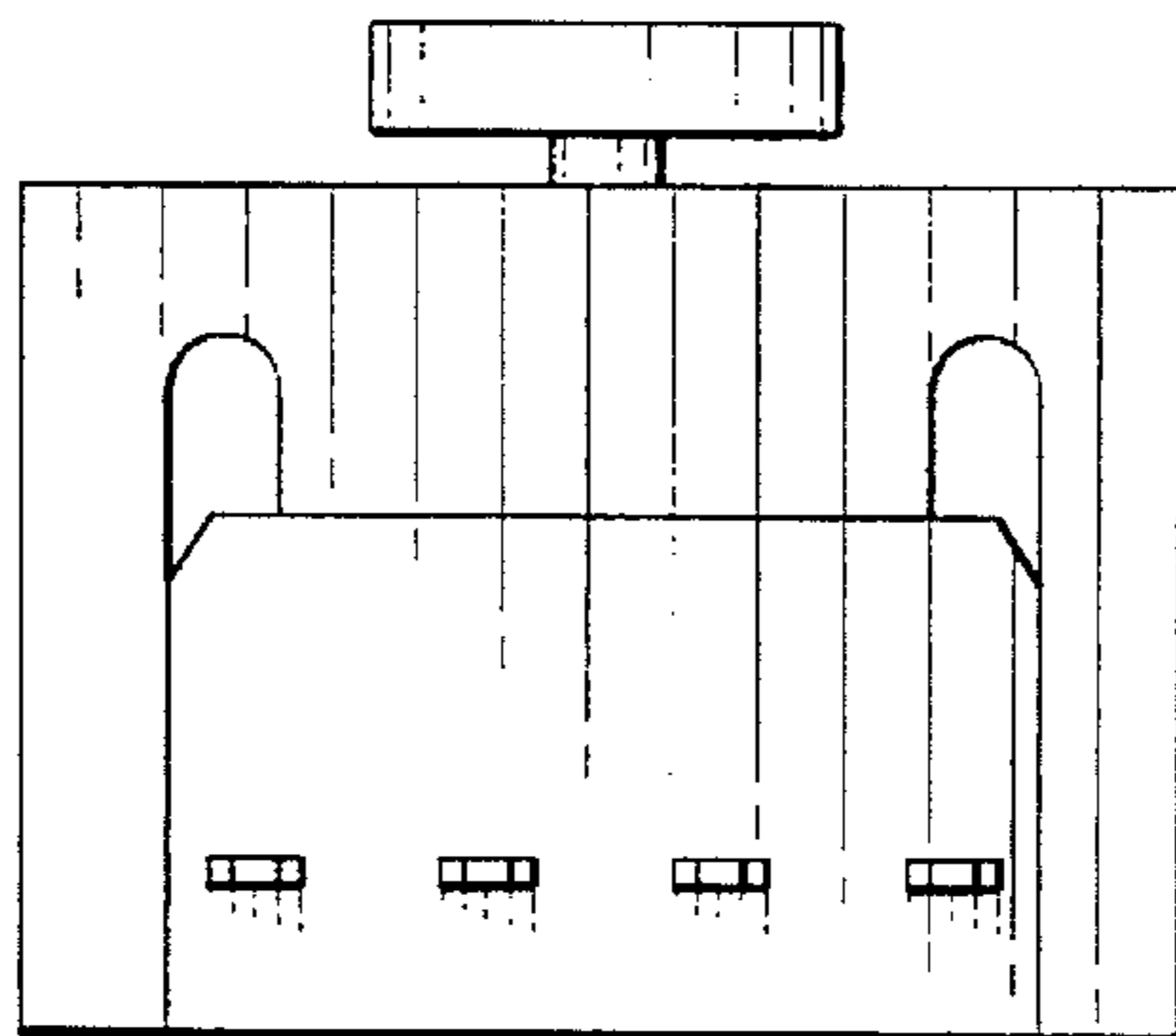
**FIG. 1**



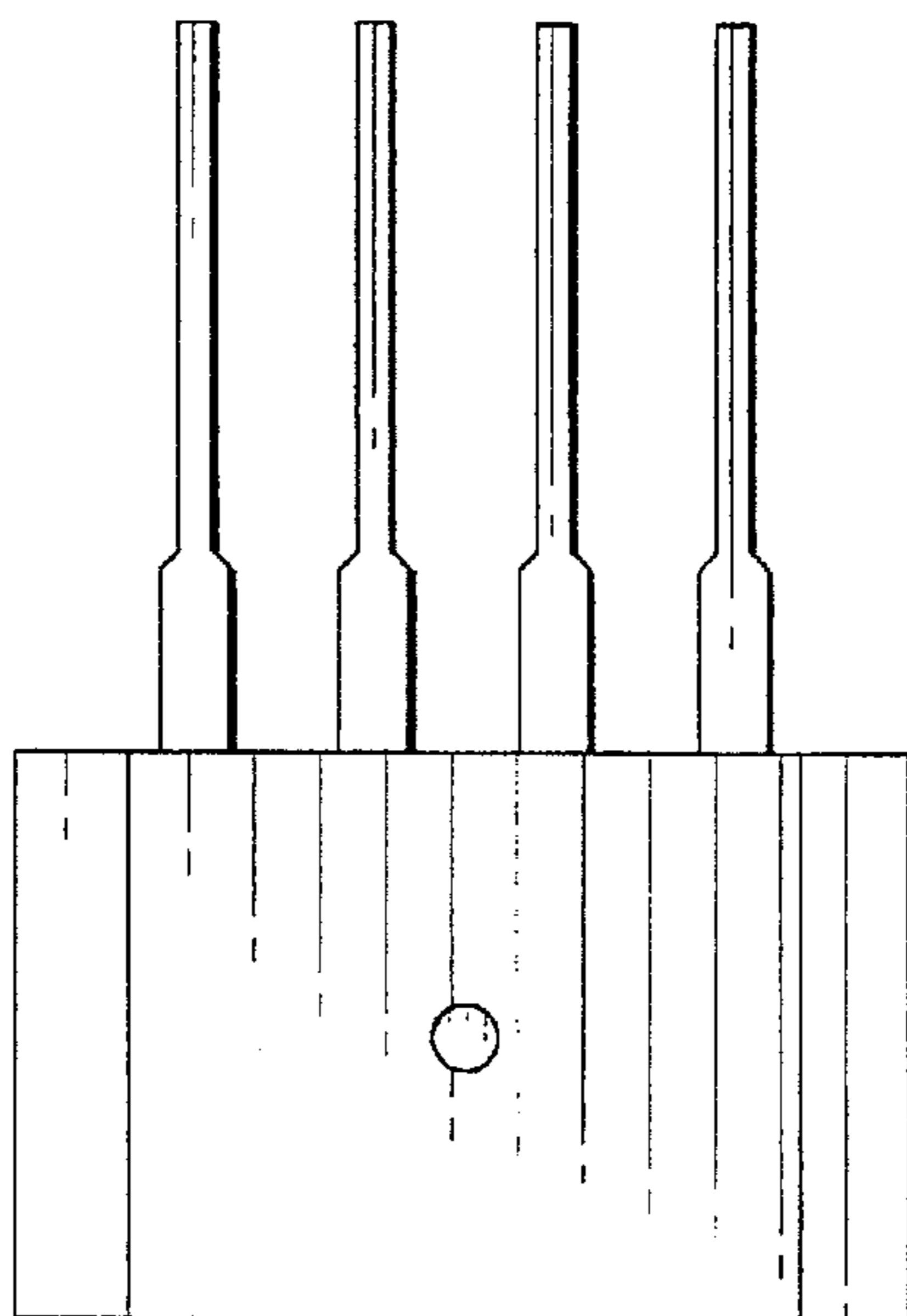
**FIG. 2**



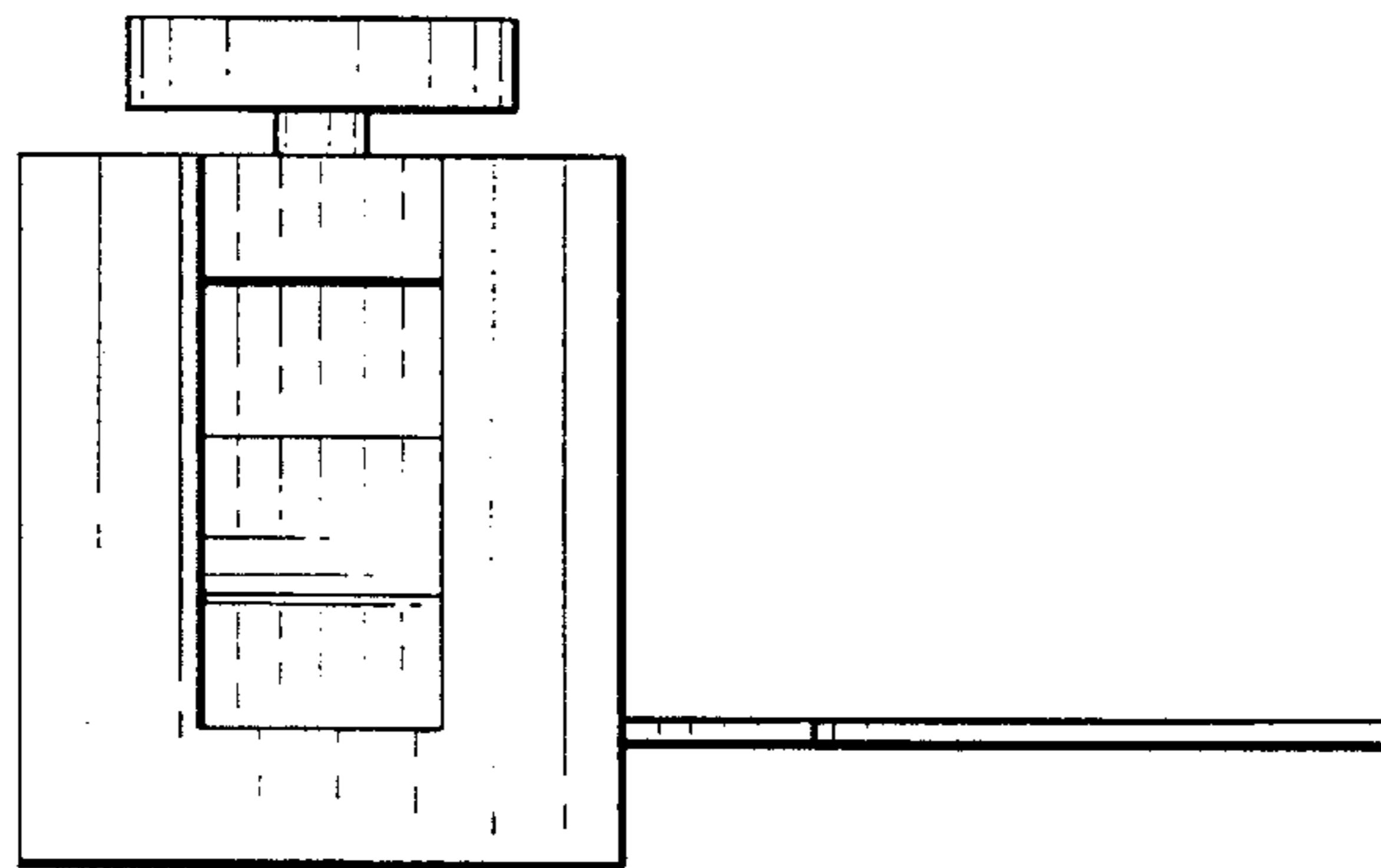
*FIG. 4*



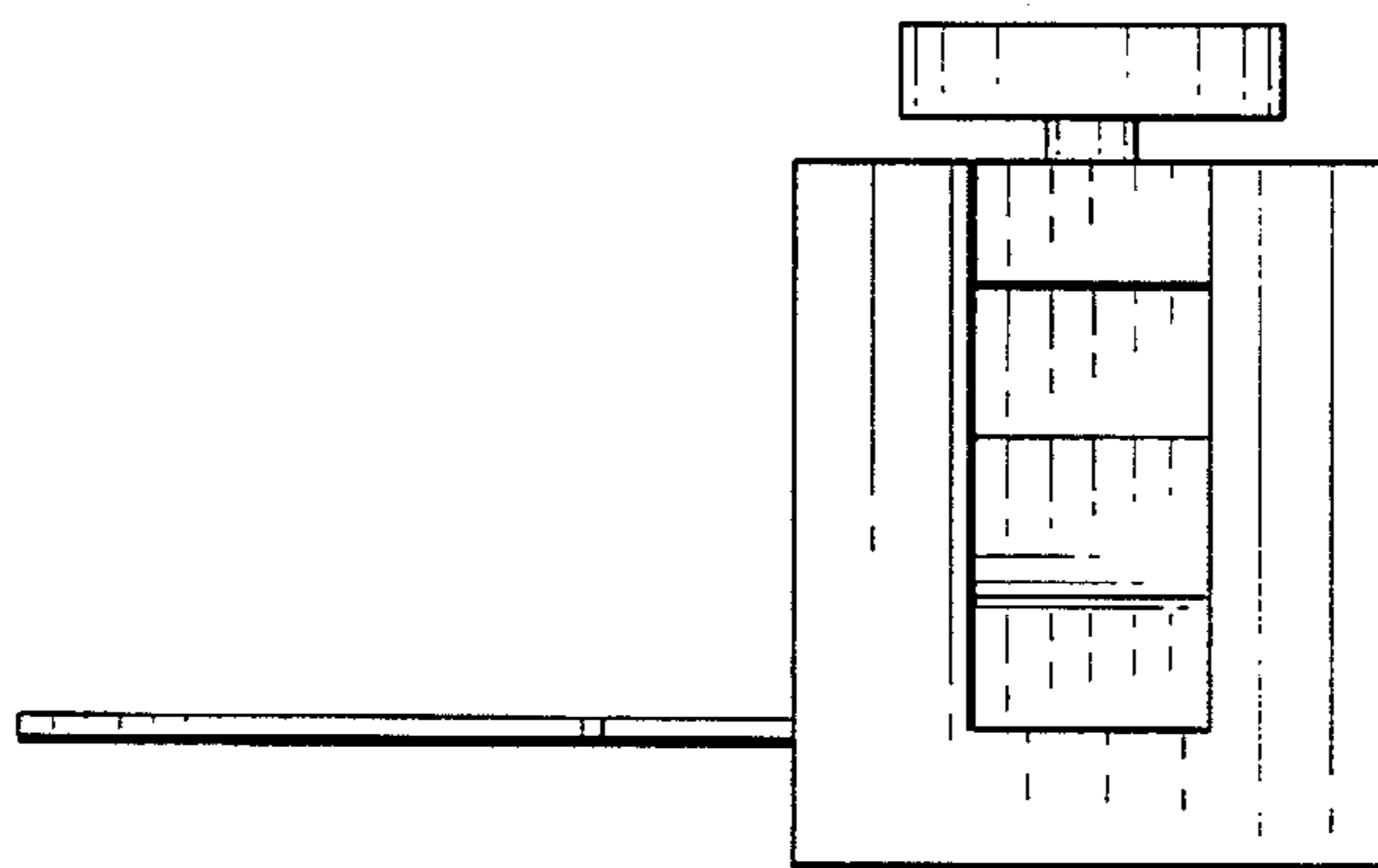
*FIG. 3*



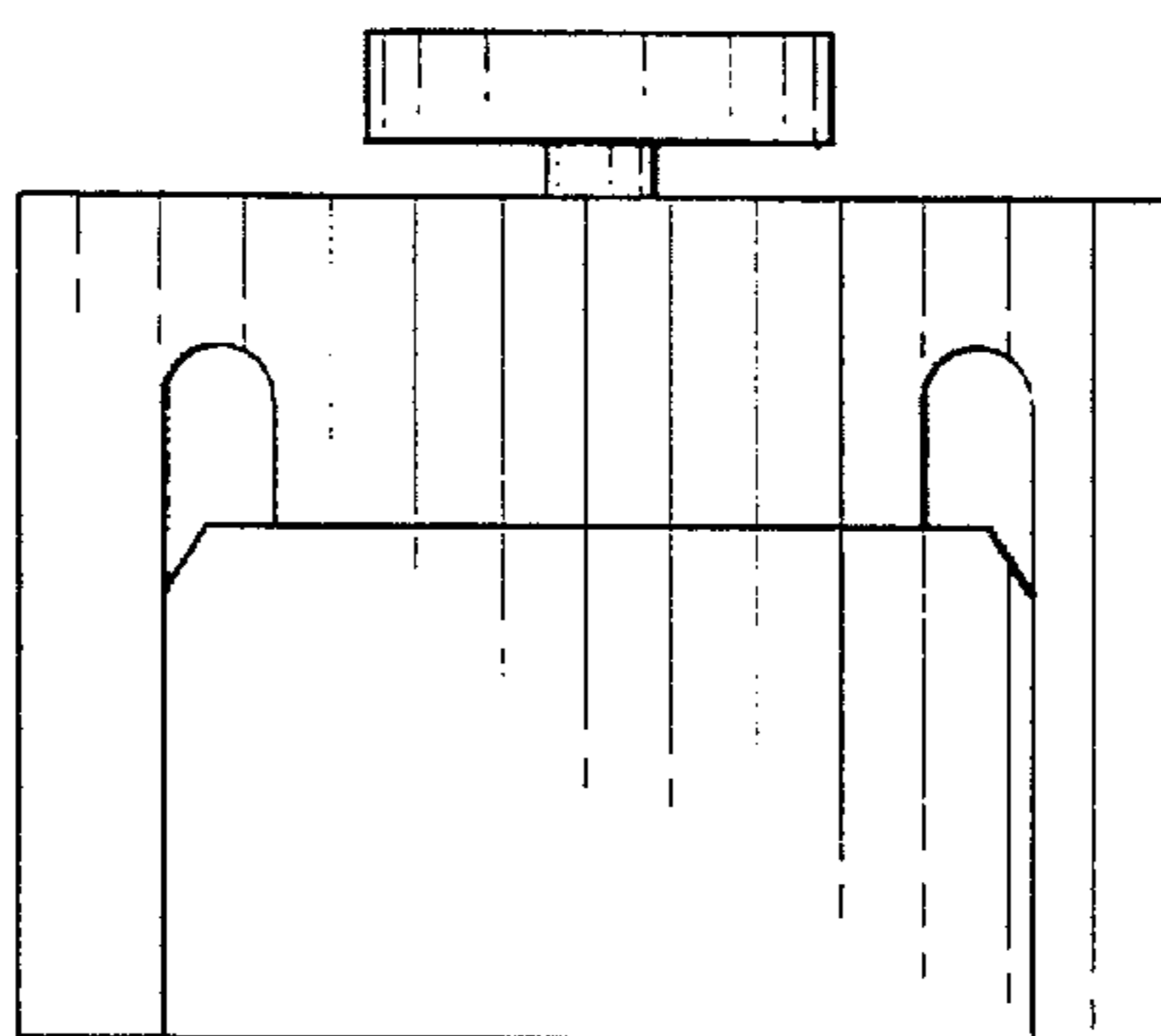
*FIG. 5*



**FIG. 6**



**FIG. 7**



**FIG. 8**