



US00D382820S

# United States Patent [19] Chan

[11] Patent Number: **Des. 382,820**

[45] Date of Patent: **\*\*Aug. 26, 1997**

[54] **TIMER**

[75] Inventor: **Raymond Chan**, Kowloon, Hong Kong

[73] Assignee: **IDT International Limited**, Hamilton, Bermuda

[\*\*] Term: **14 Years**

[21] Appl. No.: **54,325**

[22] Filed: **May 9, 1996**

### [30] Foreign Application Priority Data

Nov. 17, 1995 [GB] United Kingdom ..... 2052045

[51] LOC (6) Cl. .... **10-03**

[52] U.S. Cl. .... **D10/40; D10/15**

[58] Field of Search ..... D10/1-40, 122-132;  
368/97-100, 107-121, 276-277, 285, 316,  
317

### [56] References Cited

#### U.S. PATENT DOCUMENTS

D. 274,314 6/1984 Goodin ..... D10/40  
D. 275,082 8/1984 Goodin ..... D10/40

D. 298,416 11/1988 Rakocy ..... D10/40  
D. 335,460 5/1993 Tanaka ..... D10/40  
D. 363,228 10/1995 Healey ..... D10/24 X  
D. 366,837 2/1996 Cooney ..... D10/40  
4,444,511 4/1984 Ogihara ..... 368/70 X  
4,505,595 3/1985 Rose ..... 368/110  
5,140,564 8/1992 Rich ..... 368/107  
5,319,613 6/1994 Adams ..... 368/10

Primary Examiner—Nelson C. Holtje  
Attorney, Agent, or Firm—Leydig, Voit & Mayer

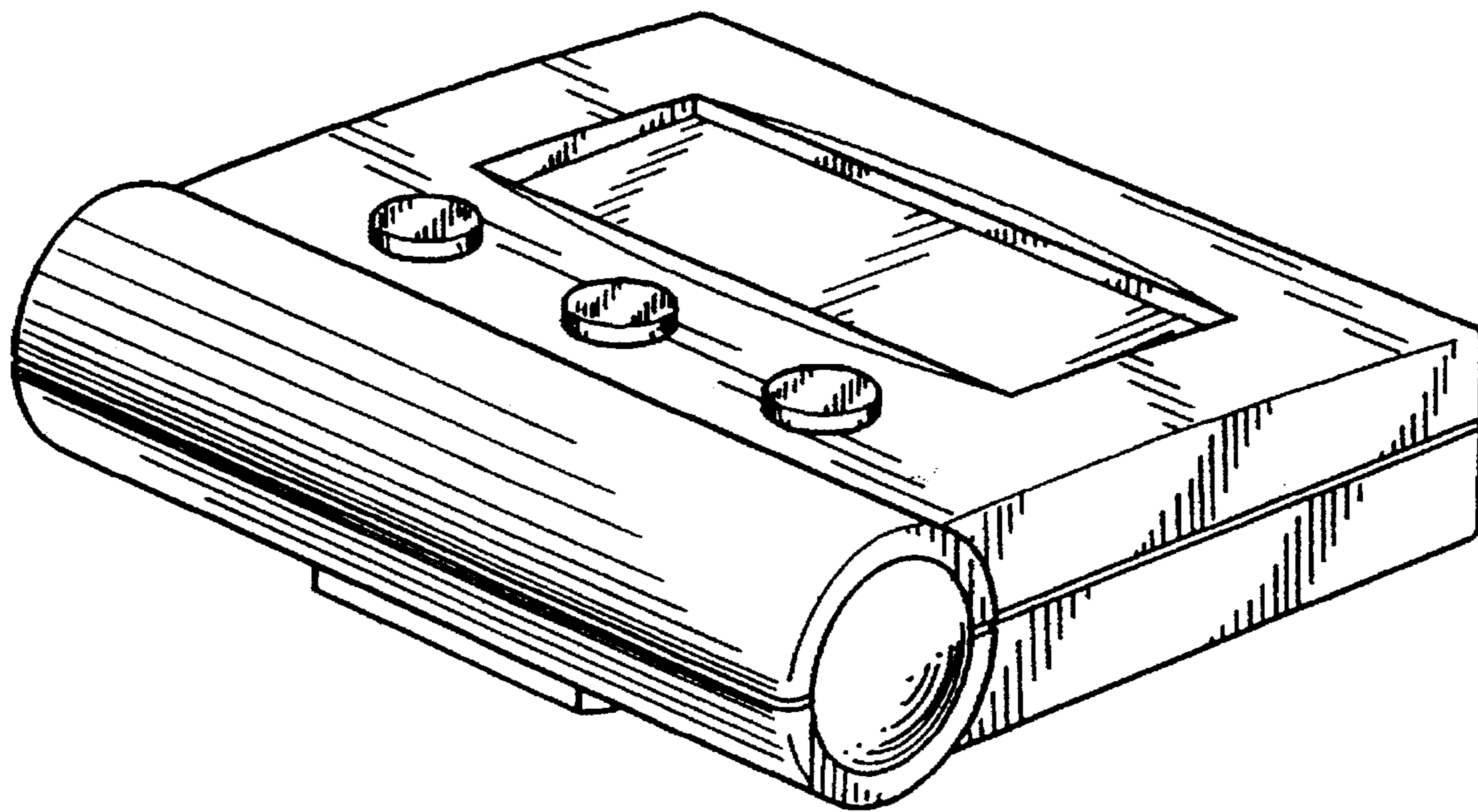
### [57] CLAIM

The ornamental design for a timer, as shown and described.

### DESCRIPTION

FIG. 1 is a front, bottom and right side perspective view of a timer showing my new design;  
FIG. 2 is a front elevational view thereof;  
FIG. 3 is a rear elevational view thereof;  
FIG. 4 is a top plan view thereof;  
FIG. 5 is a bottom plan view thereof;  
FIG. 6 is a right side elevational view thereof; and,  
FIG. 7 is a left side elevational view thereof.

**1 Claim, 4 Drawing Sheets**



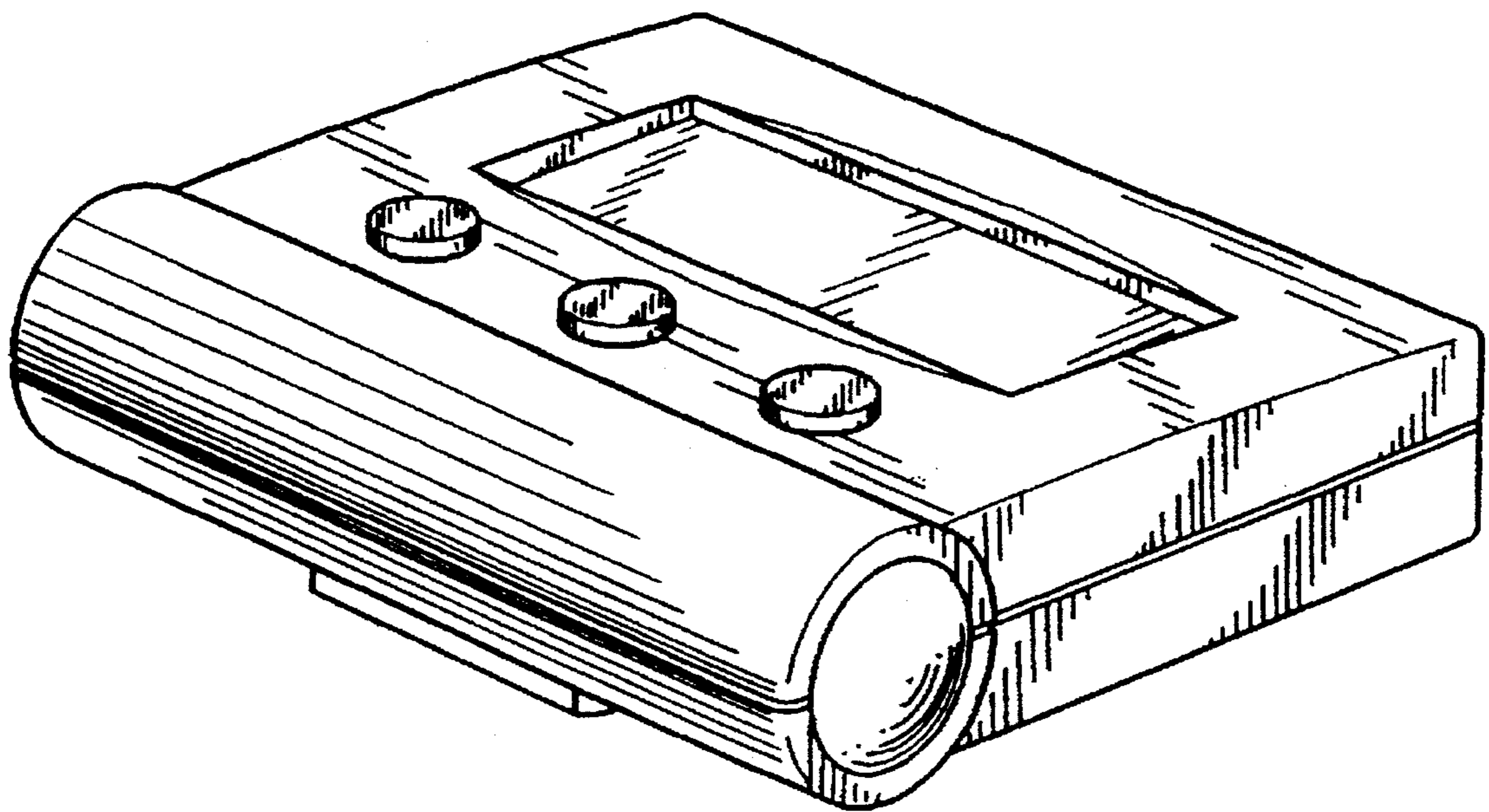


FIG. 1

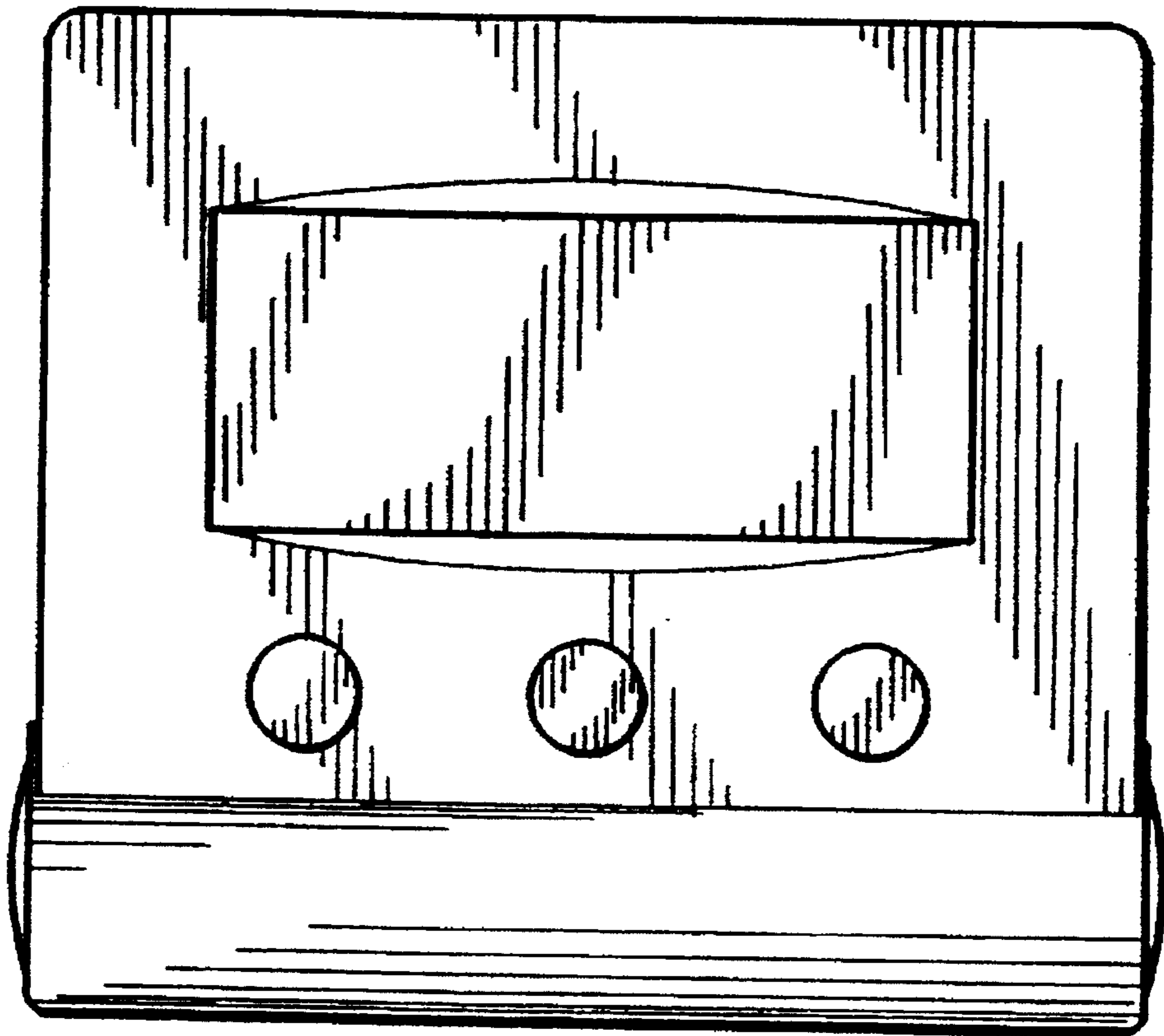


FIG. 2

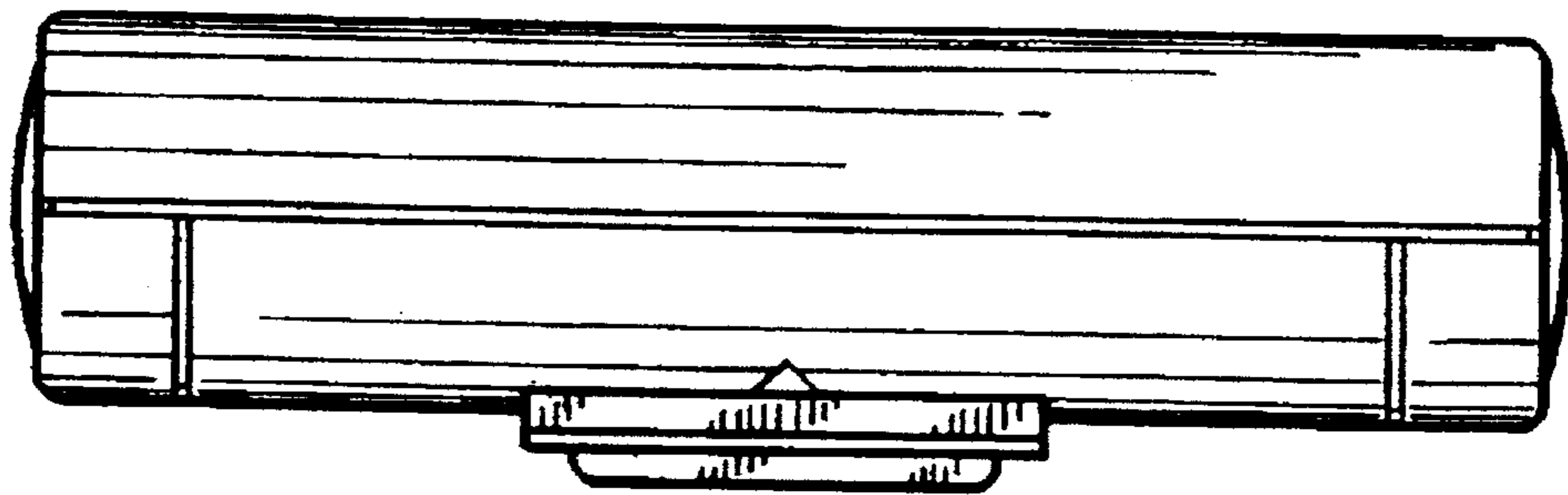


FIG. 5

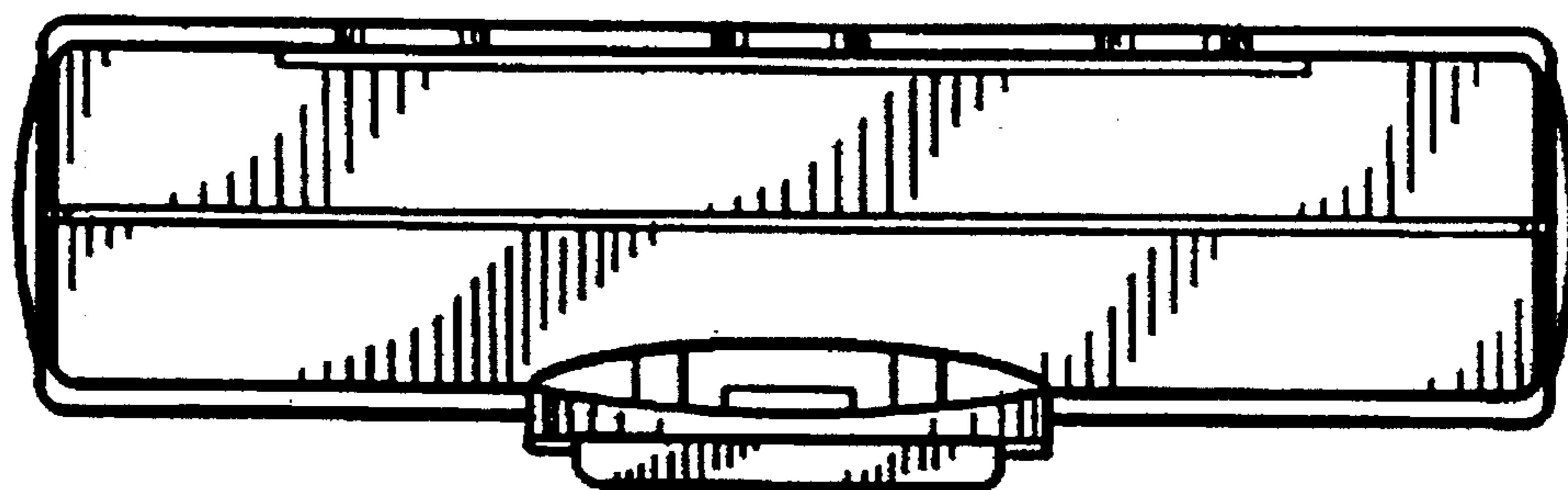


FIG. 4

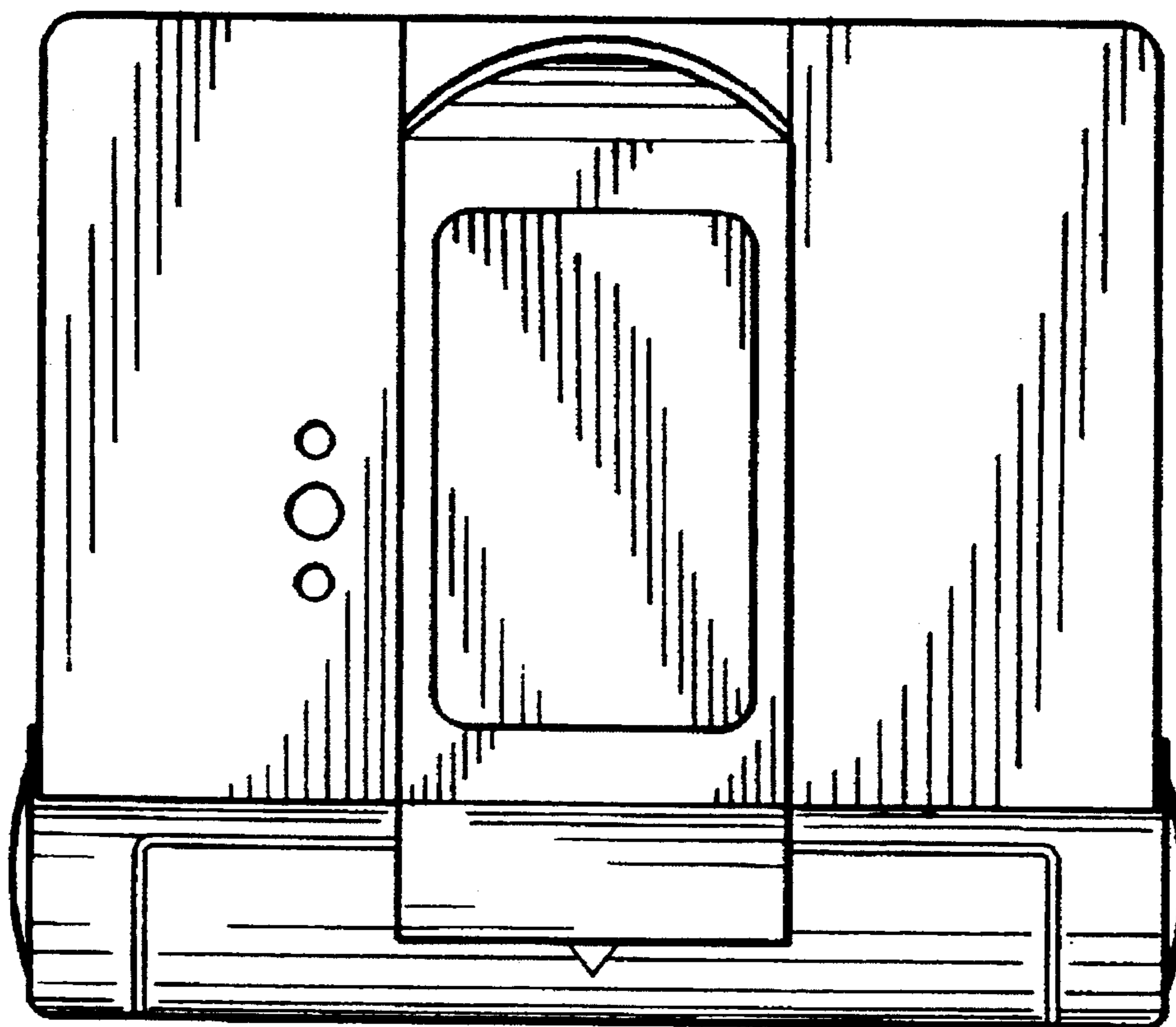


FIG. 3

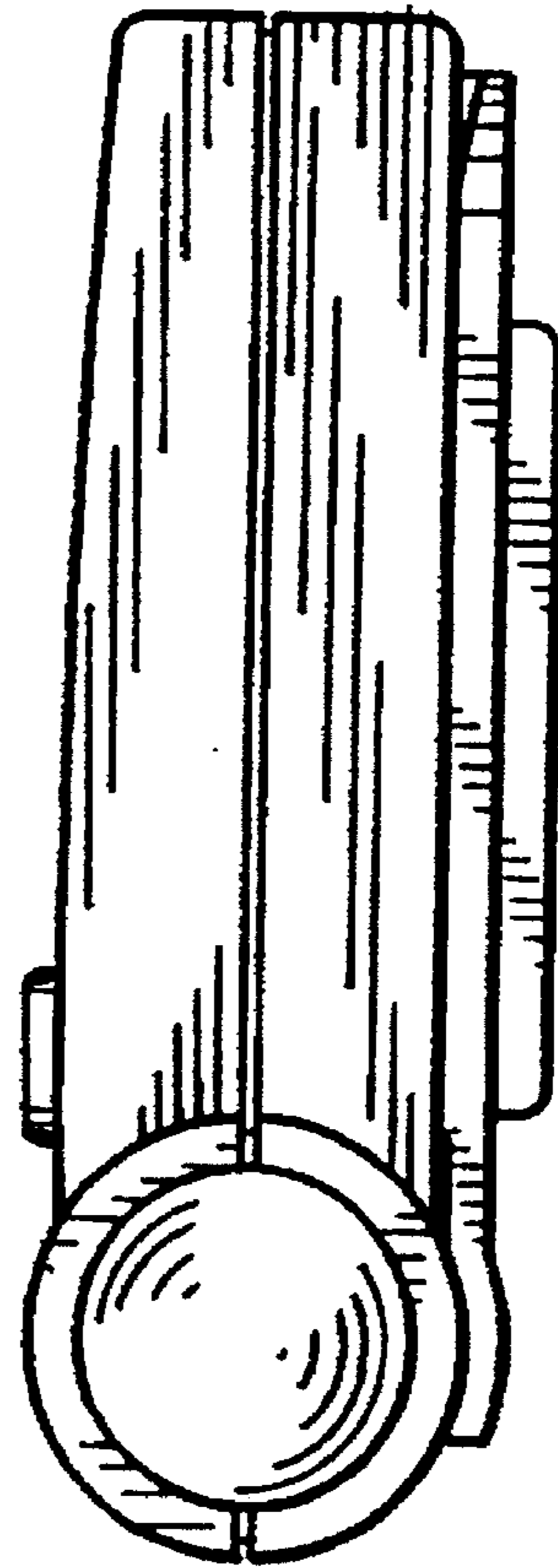


FIG. 6



FIG. 7