



US00D382795S

United States Patent [19]
Abayhan et al.

[11] **Patent Number: Des. 382,795**
[45] **Date of Patent: **Aug. 26, 1997**

[54] **PLASTIC FOOD CONTAINER**

[75] Inventors: **Ayberk Abayhan**, Arlington Heights;
Stephen A. Smith, Naperville, both of Ill.

[73] Assignee: **Tenneco Packaging**, Evanston, Ill.

[**] Term: **14 Years**

[21] Appl. No.: **57,216**

[22] Filed: **Jul. 19, 1996**

[51] **LOC (6) Cl.** **09-07**

[52] **U.S. Cl.** **D9/425**

[58] **Field of Search** D9/420-426, 431,
D9/341, 429; 206/557, 558, 561-565, 541;
229/406, 903, 904; 220/4.21-4.26, 556,
637, 662, 339; 426/106, 128

[56] **References Cited**

U.S. PATENT DOCUMENTS

D. 282,245	1/1986	Yeung	D9/431	X
D. 305,409	1/1990	Michaud et al.	D9/425	
D. 339,744	9/1993	Seppala	D9/425	
D. 343,576	1/1994	Krupa	D9/423	
D. 348,608	7/1994	Wyslotsky	D9/425	
D. 361,035	8/1995	Krupa	D9/424	
D. 361,036	8/1995	Krupa	D9/424	
D. 363,879	11/1995	Krupa et al.	D9/423	
4,535,889	8/1985	Terauds	229/903	X
4,660,716	4/1987	McMahon et al.	220/556	X
4,974,738	12/1990	Kidd et al.	229/406	X
5,046,659	9/1991	Warburton	220/339	X
5,456,379	10/1995	Krupa et al.	220/339	

OTHER PUBLICATIONS

Packaging, Mar. 1984, p. 65.
PCA: Packaging the World Specification Catalog; pp. 32-33; Feb. 1992.
The Garden Party Catalog; 6 pages; Oct. 1994.
Ultra Pac Catalog; pp. 1-32; Mar., 1995.
Packaging Corporation of America Specialty Packaging Group 1994 Specifications Catalog; pp. 32-35, 42-43; Jul., 1994.

Primary Examiner—Prabhakar G. Deshmukh
Attorney, Agent, or Firm—Arnold, White & Durkee

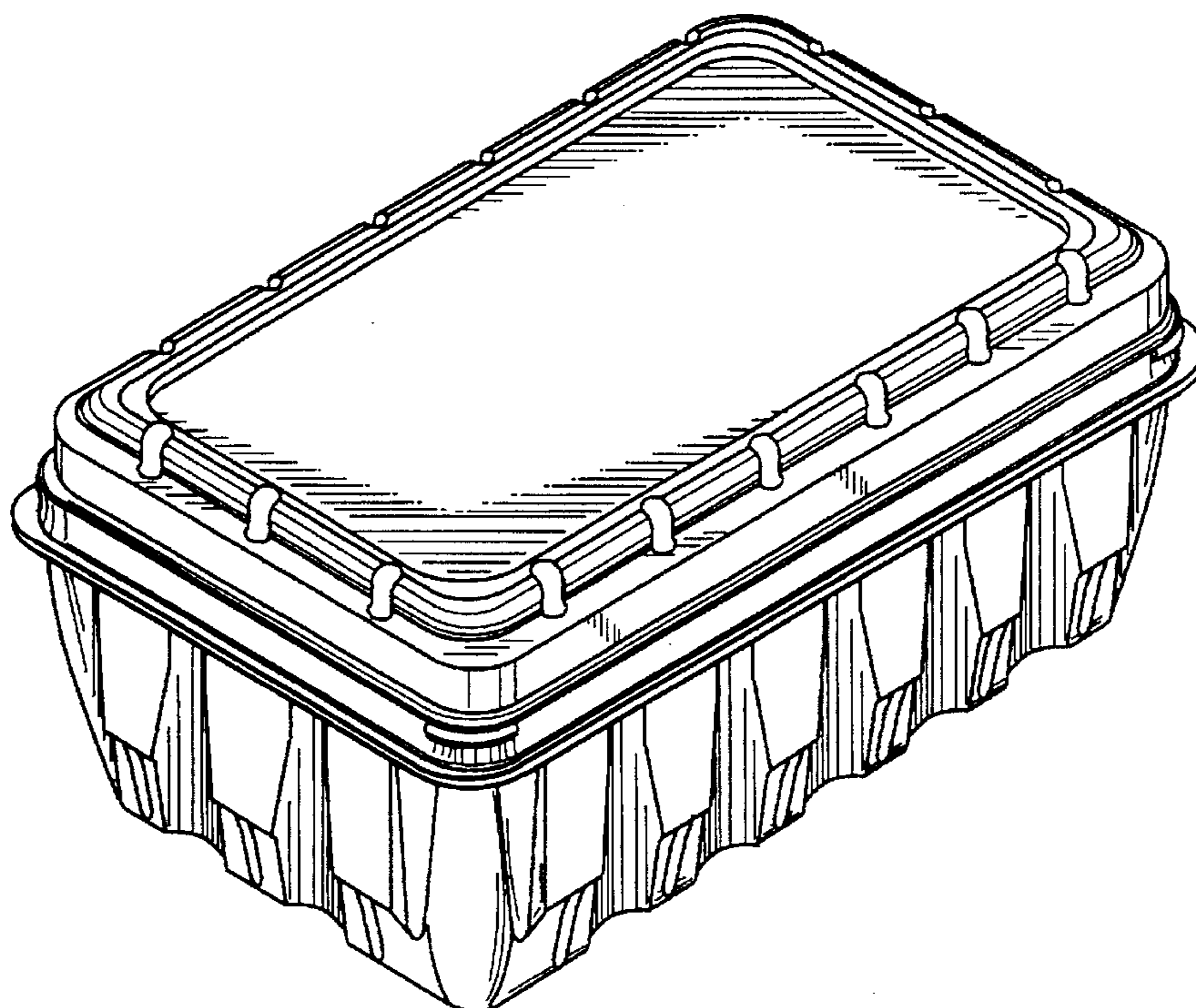
[57] **CLAIM**

The ornamental design for a plastic food container, as shown and described.

DESCRIPTION

FIG. 1 is a perspective view of a plastic food container showing our new design;
FIG. 2 is a front elevational view of the plastic food container shown in FIG. 1;
FIG. 3 is a rear elevational view of the plastic food container shown in FIG. 1;
FIG. 4 is a side elevational view taken from the right side of the plastic food container shown in FIG. 1;
FIG. 5 is a side elevational view taken from the left side of the plastic food container shown in FIG. 1;
FIG. 6 is a top plan view of the plastic food container shown in FIG. 1; and,
FIG. 7 is a bottom plan view of the plastic food container shown in FIG. 1.

1 Claim, 4 Drawing Sheets



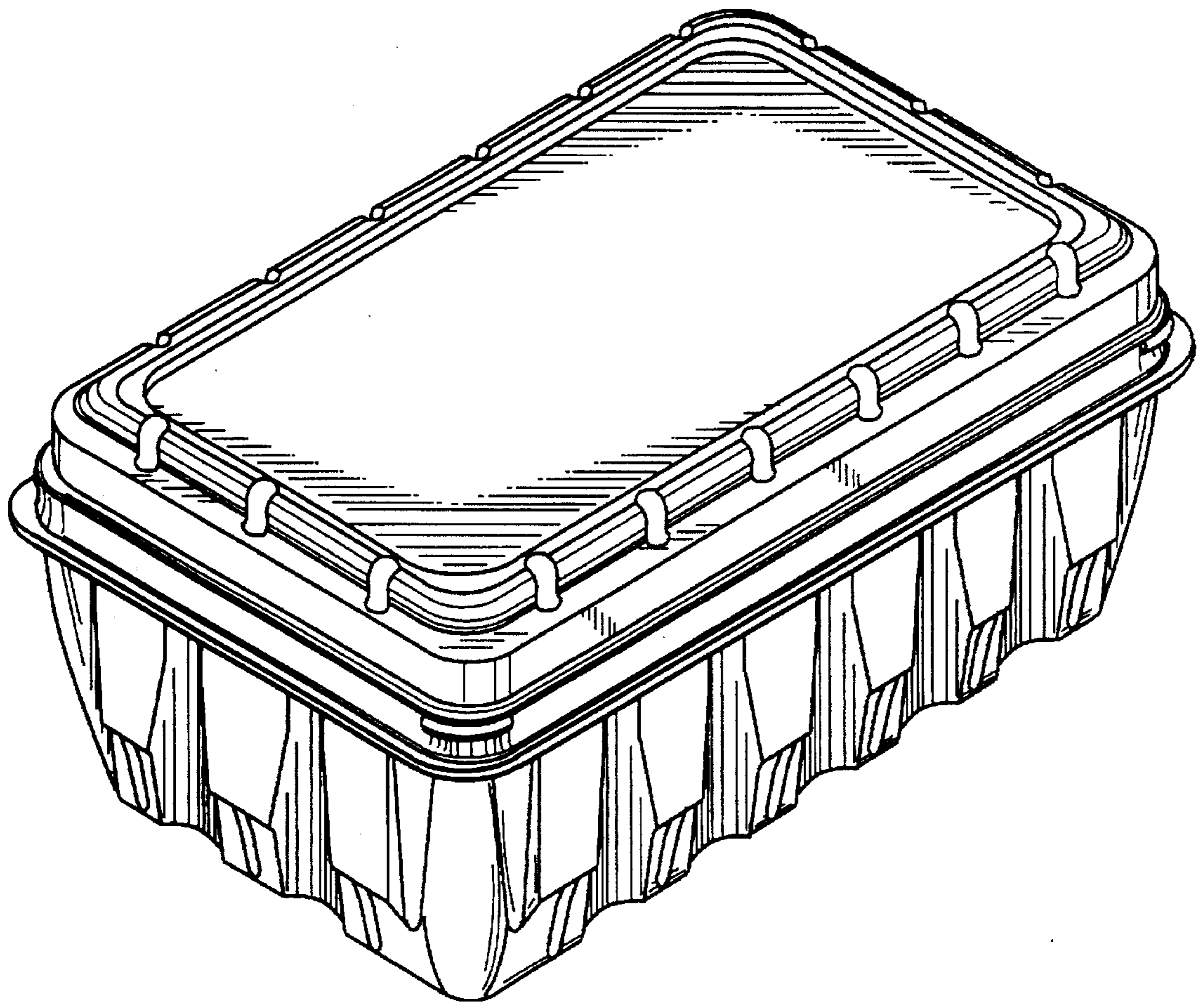


Fig. 1

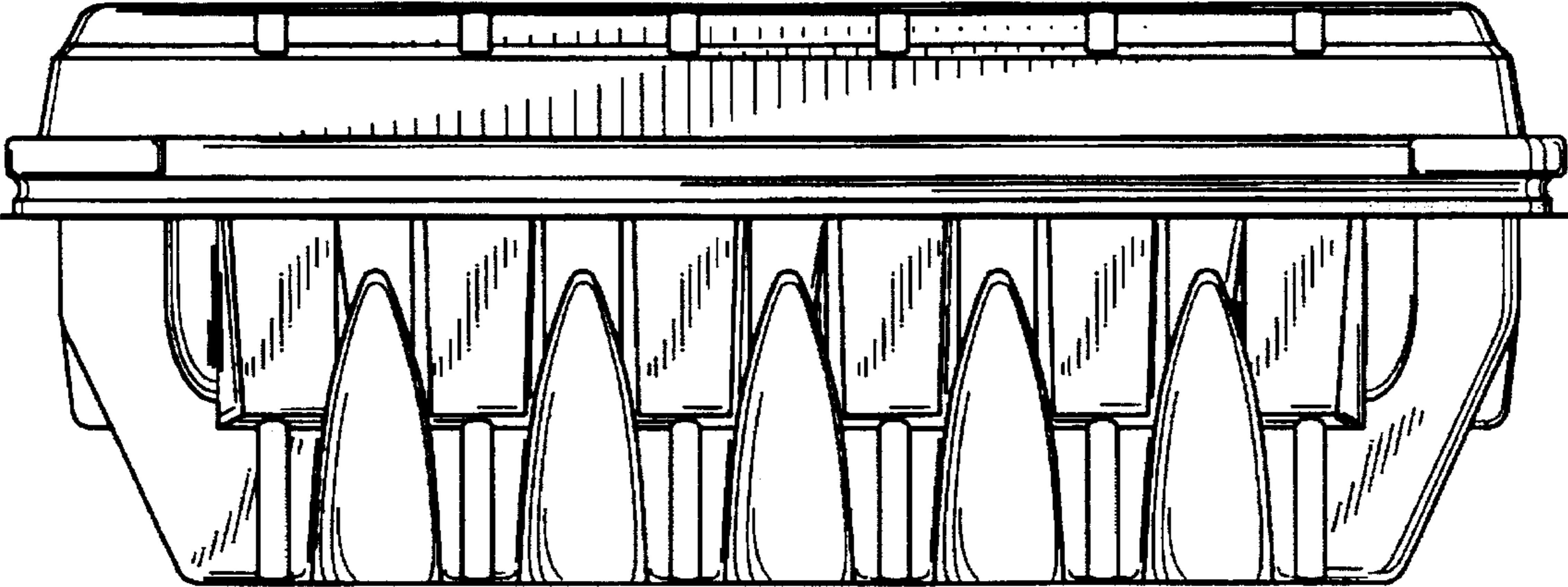


Fig. 2

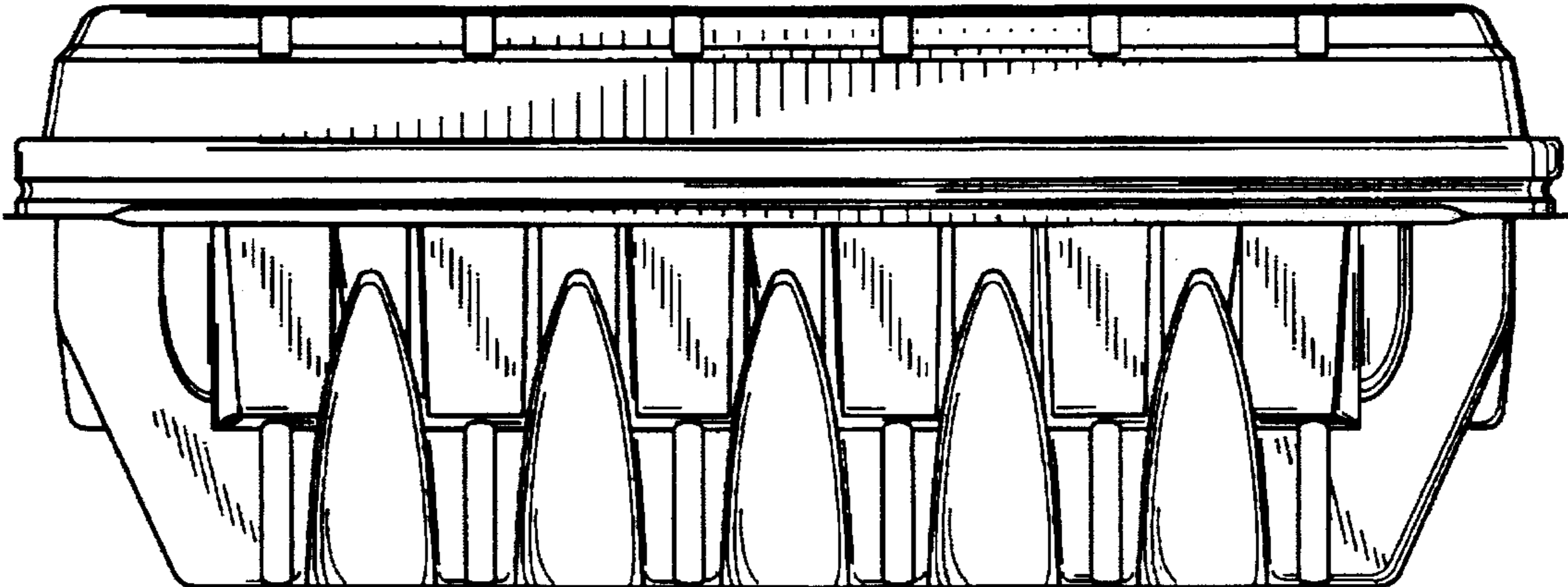


Fig. 3

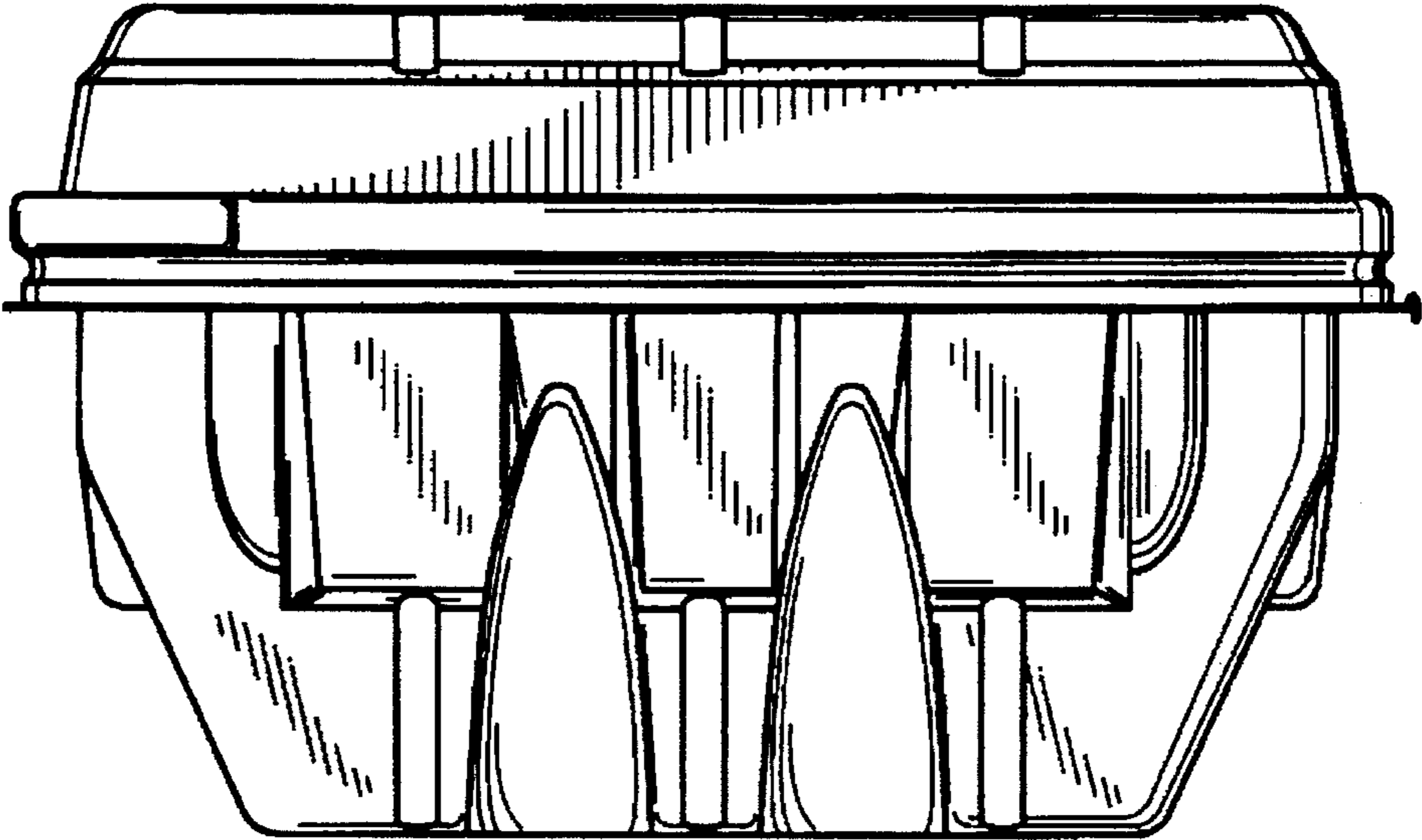


Fig. 4

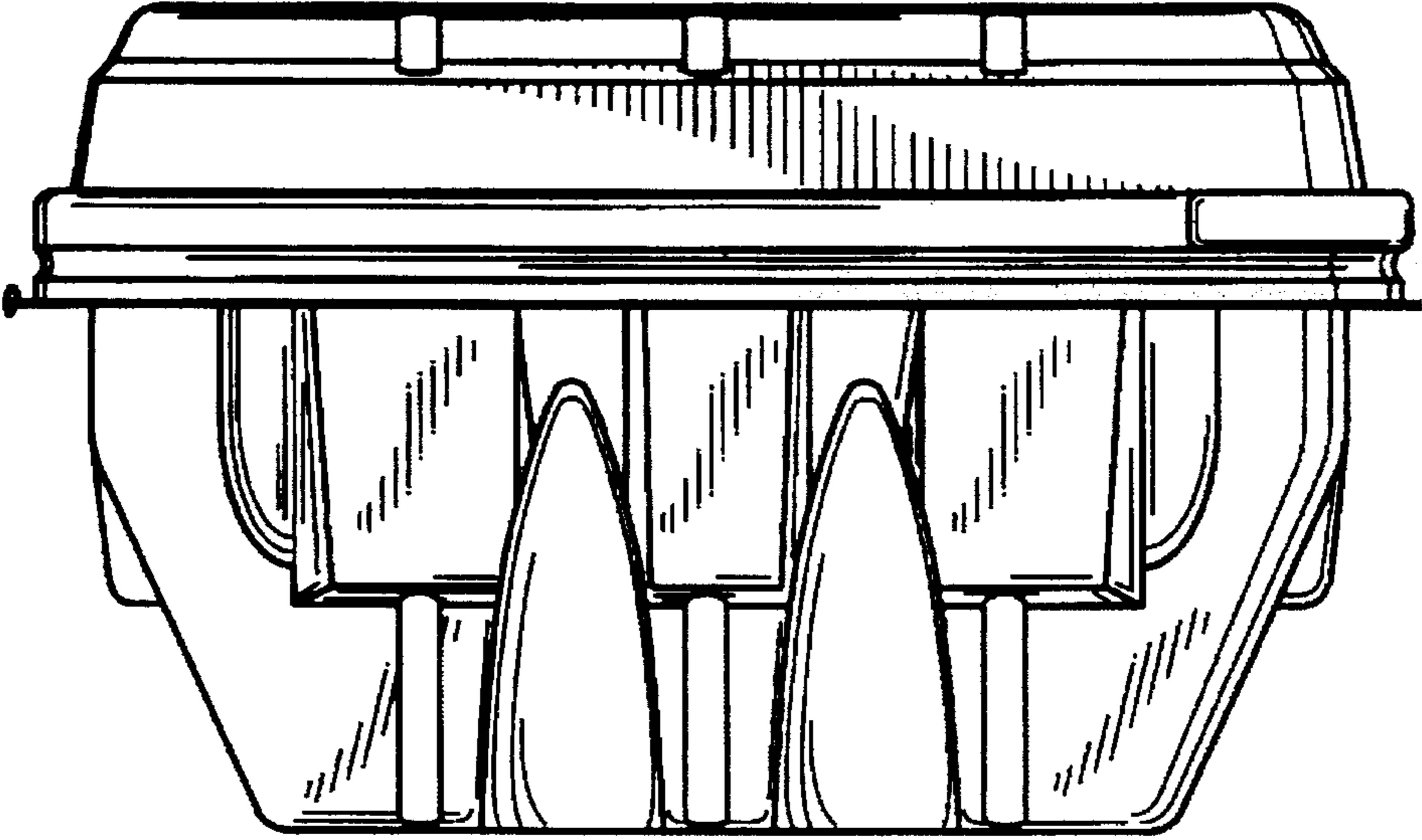


Fig. 5

Fig. 6

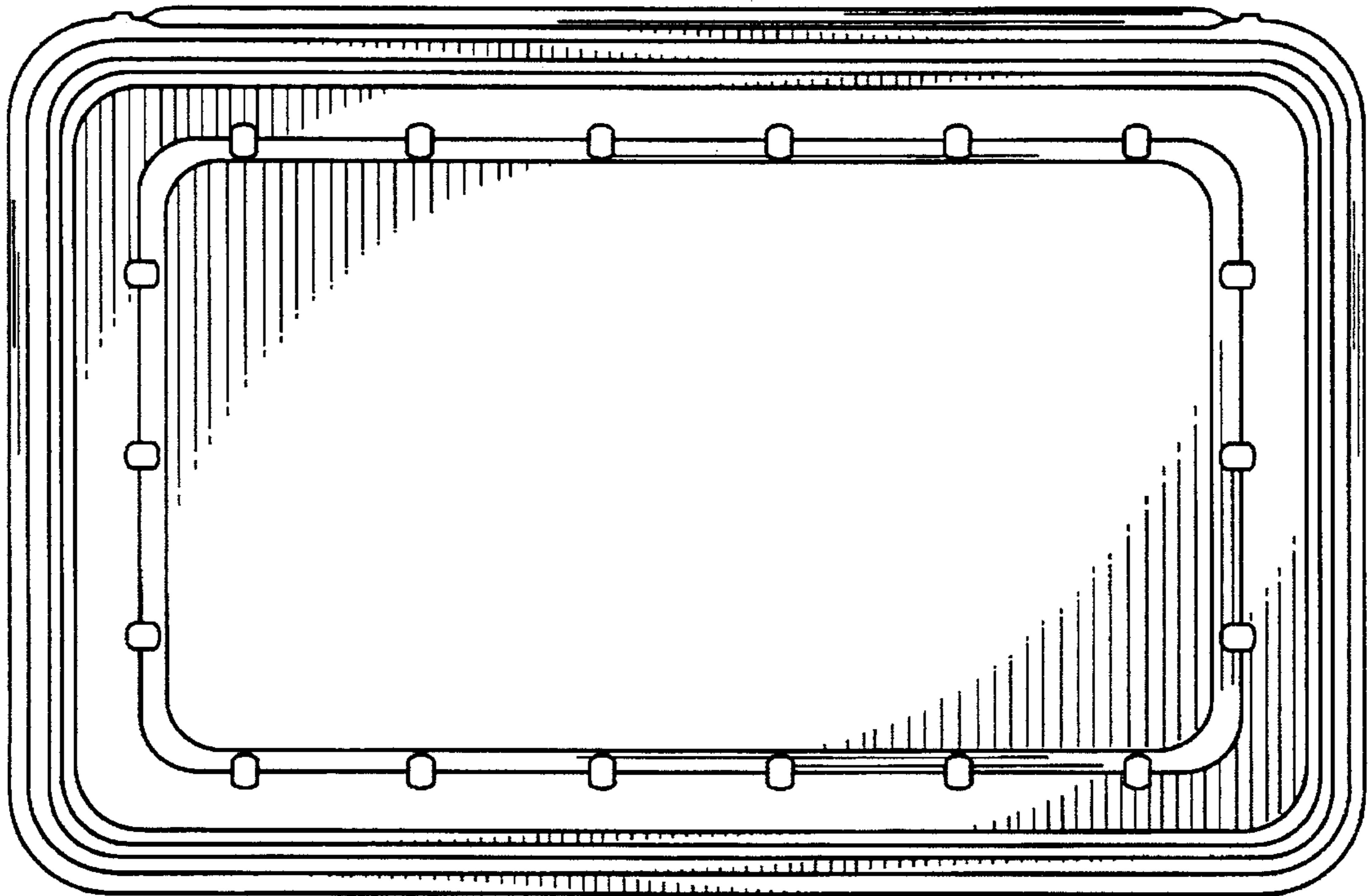


Fig. 7

