



US00D382788S

United States Patent [19]

[11] Patent Number: **Des. 382,788**

Wages

[45] Date of Patent: ****Aug. 26, 1997**

[54] **ALIGNMENT TOOL FOR INSTALLING
BATHTUB DRAINS**

Primary Examiner—Philip S. Hyder

[76] Inventor: **Steven H. Wages**, 1719 S. School St.,
Lodi, Calif. 95240

[57] **CLAIM**

The ornamental design for a alignment tool for installing
bathtub drains, as shown and described.

[**] Term: **14 Years**

DESCRIPTION

[21] Appl. No.: **53,438**

FIG. 1 is a front, top, and side perspective view of an
alignment tool for installing bathtub drains showing my new
design;

[22] Filed: **Apr. 22, 1996**

FIG. 2 is a rear elevational view thereof;

[51] LOC (6) Cl. **08-05**

FIG. 3 is a front elevational view;

[52] U.S. Cl. **D8/71; D8/51**

FIG. 4 is a side elevational view, the opposite side being a
mirror image thereof;

[58] **Field of Search** D8/51, 71; 4/661,
4/286, 287, 288, 290, DIG. 9; 81/488; 269/296;
33/673, 671, 670; 29/464, 468

FIG. 5 is a top plan view; and

FIG. 6 is a bottom plan view; and,

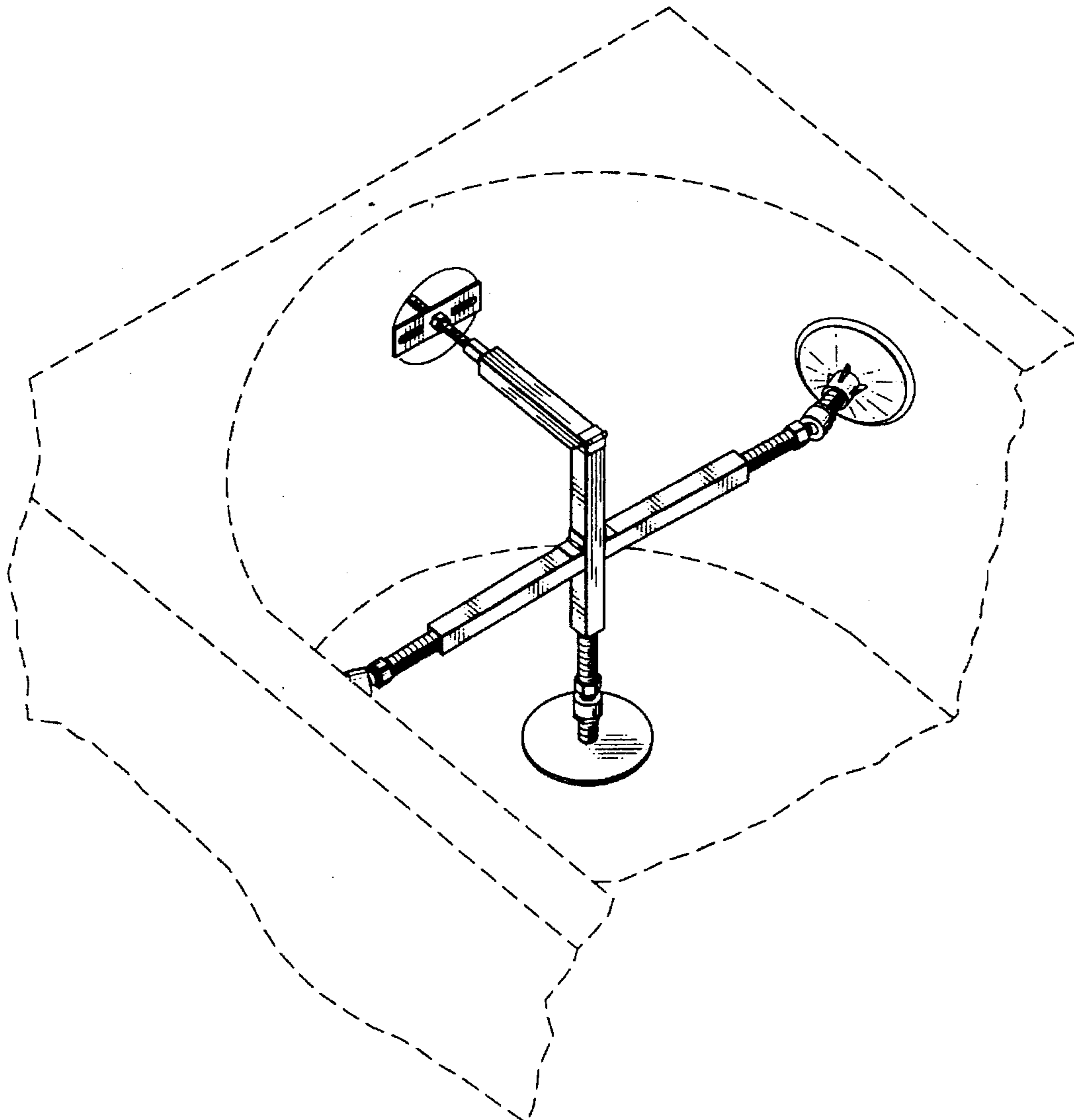
[56] **References Cited**

FIG. 7 is a top, side and rear perspective view, the broken
lines illustrating a portion of a bathtub is for illustrative
purposes and form no part of the claimed design.

U.S. PATENT DOCUMENTS

2,894,263 7/1959 Kunkel et al. 4/661
4,835,798 6/1989 Hernandez 4/661

1 Claim, 3 Drawing Sheets



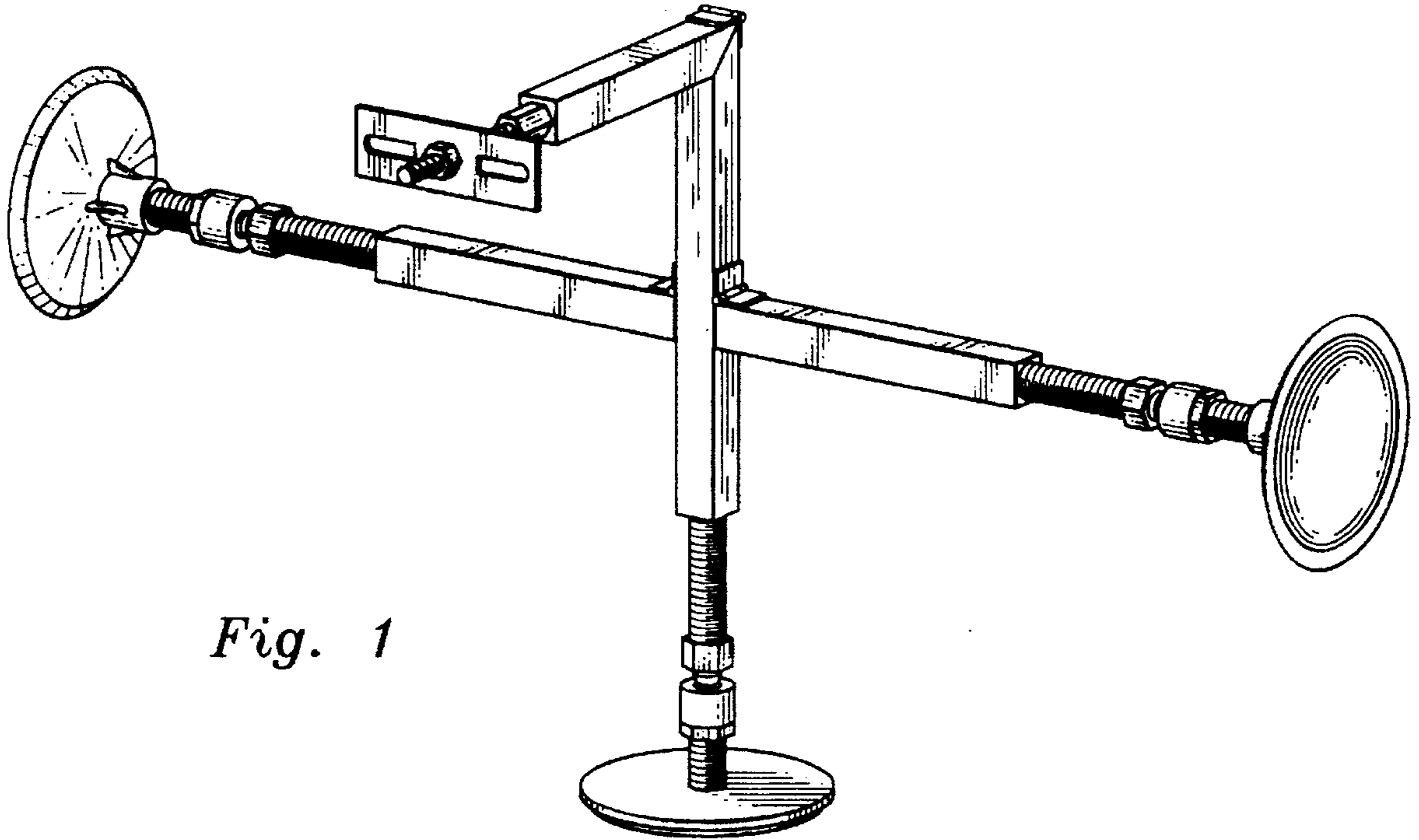


Fig. 1

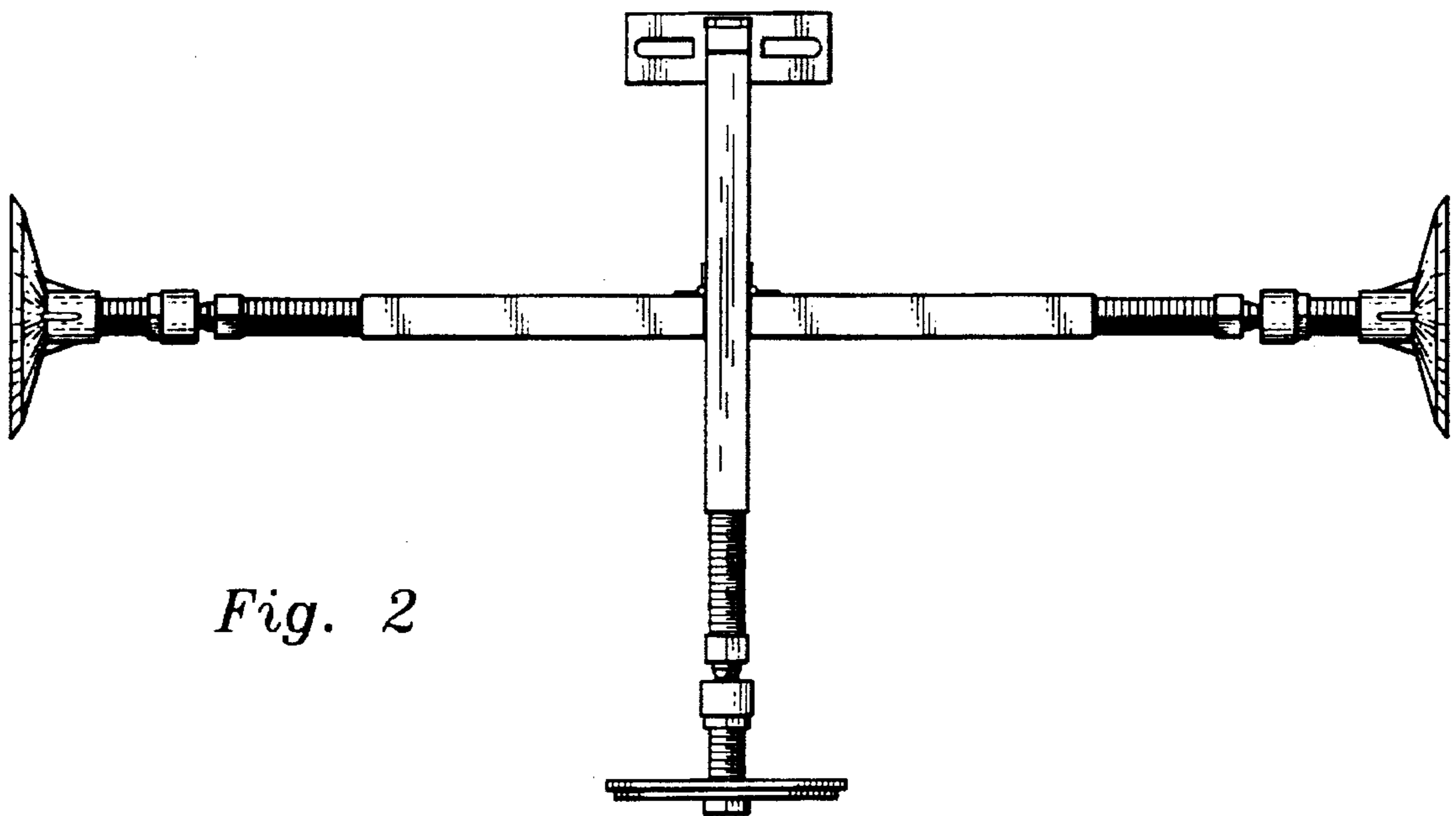


Fig. 2

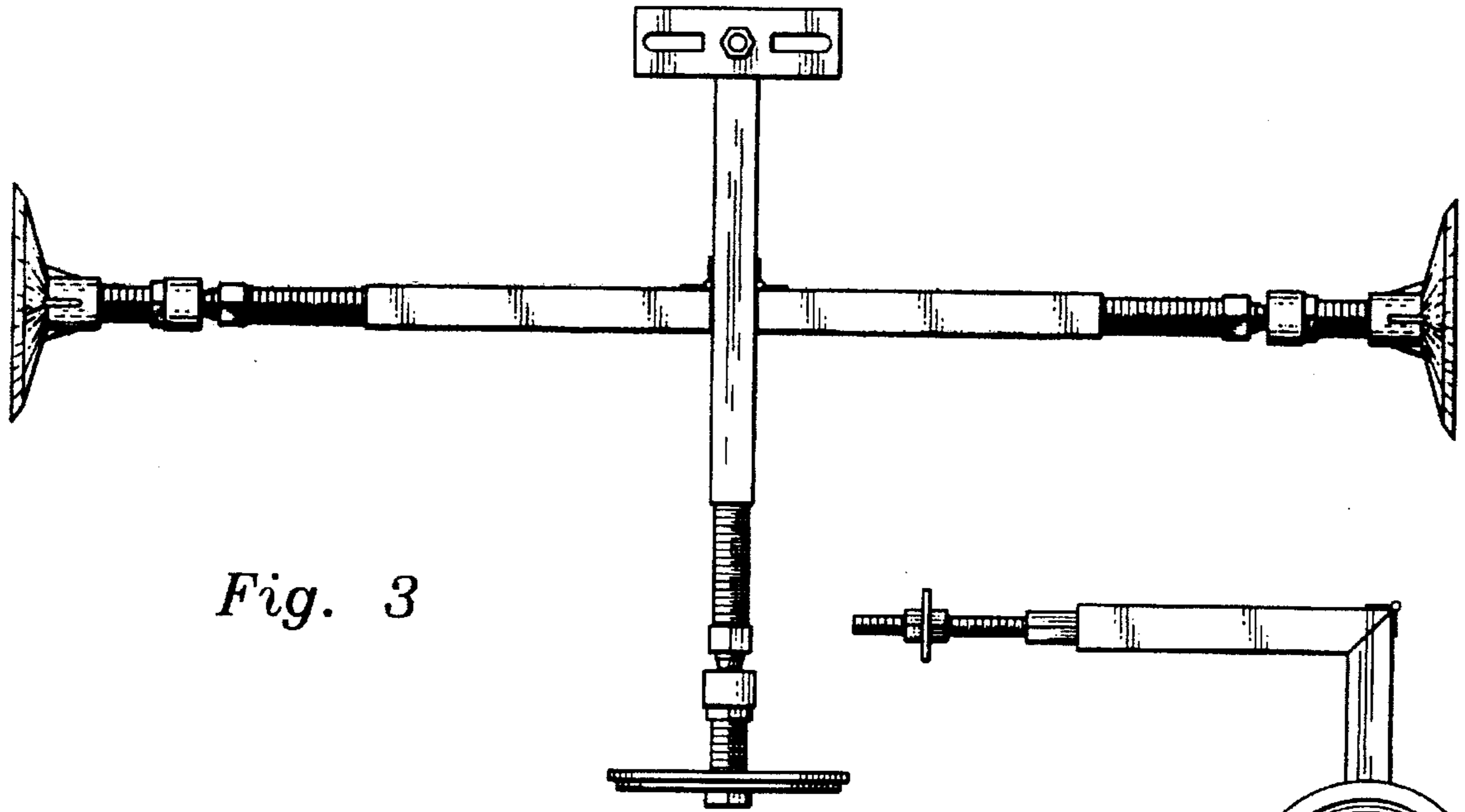


Fig. 3

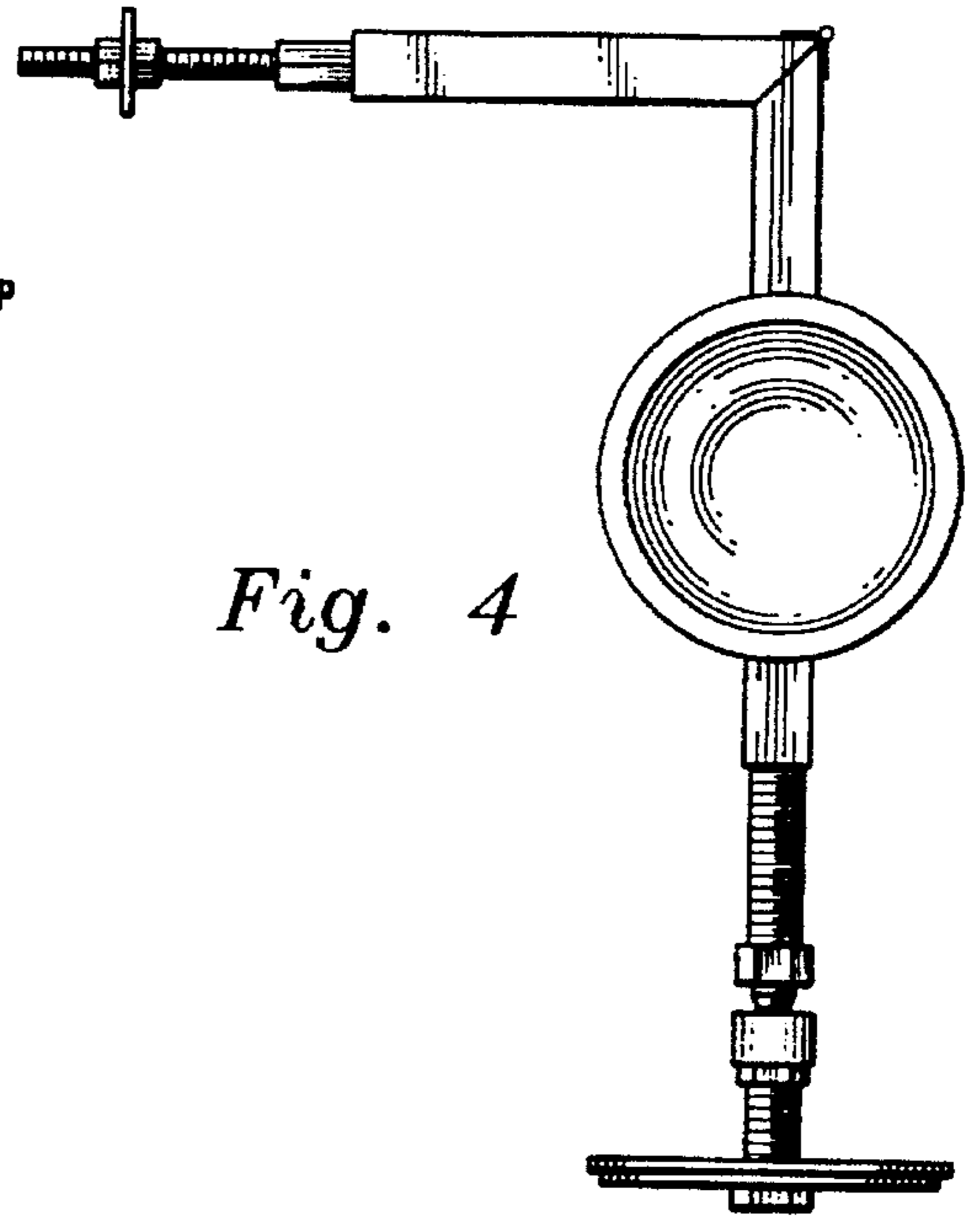


Fig. 4

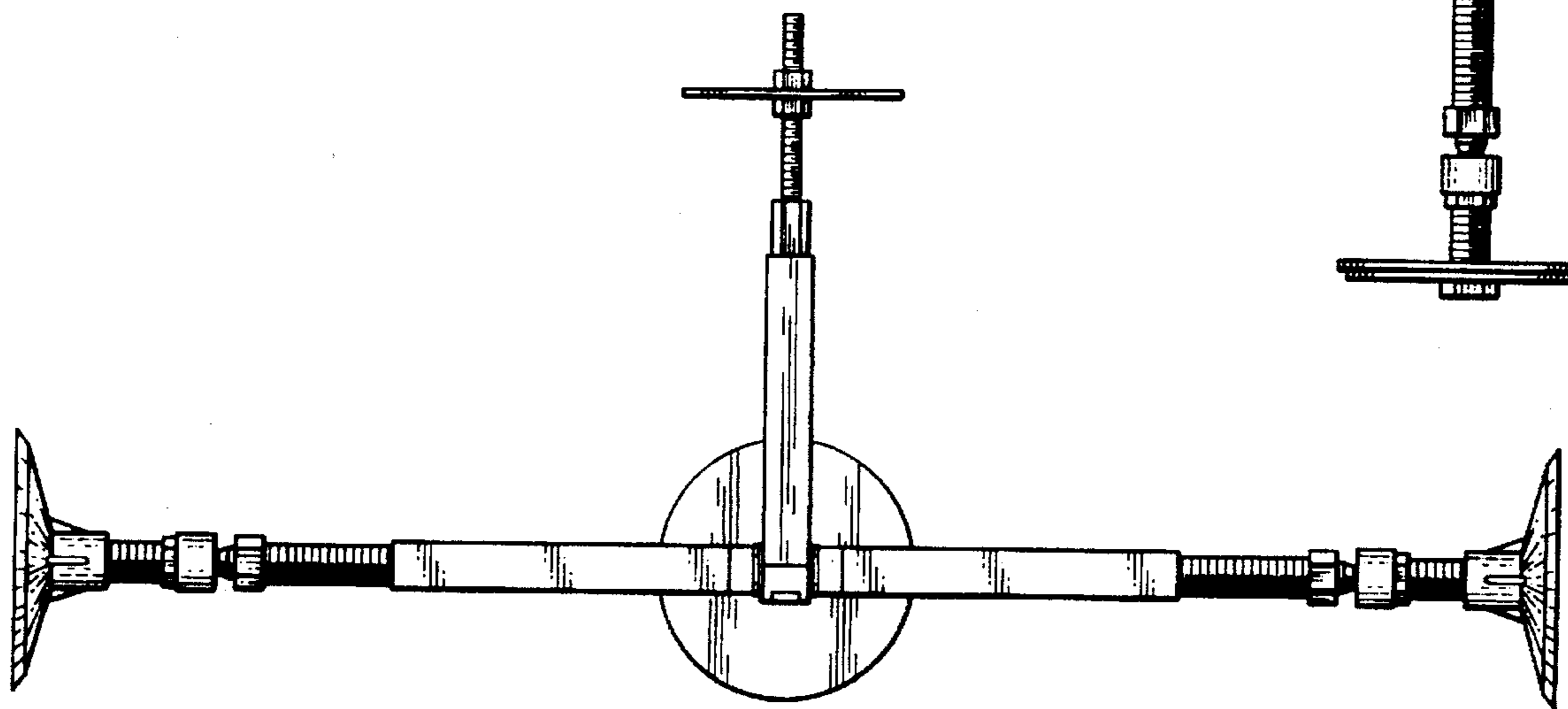


Fig. 5

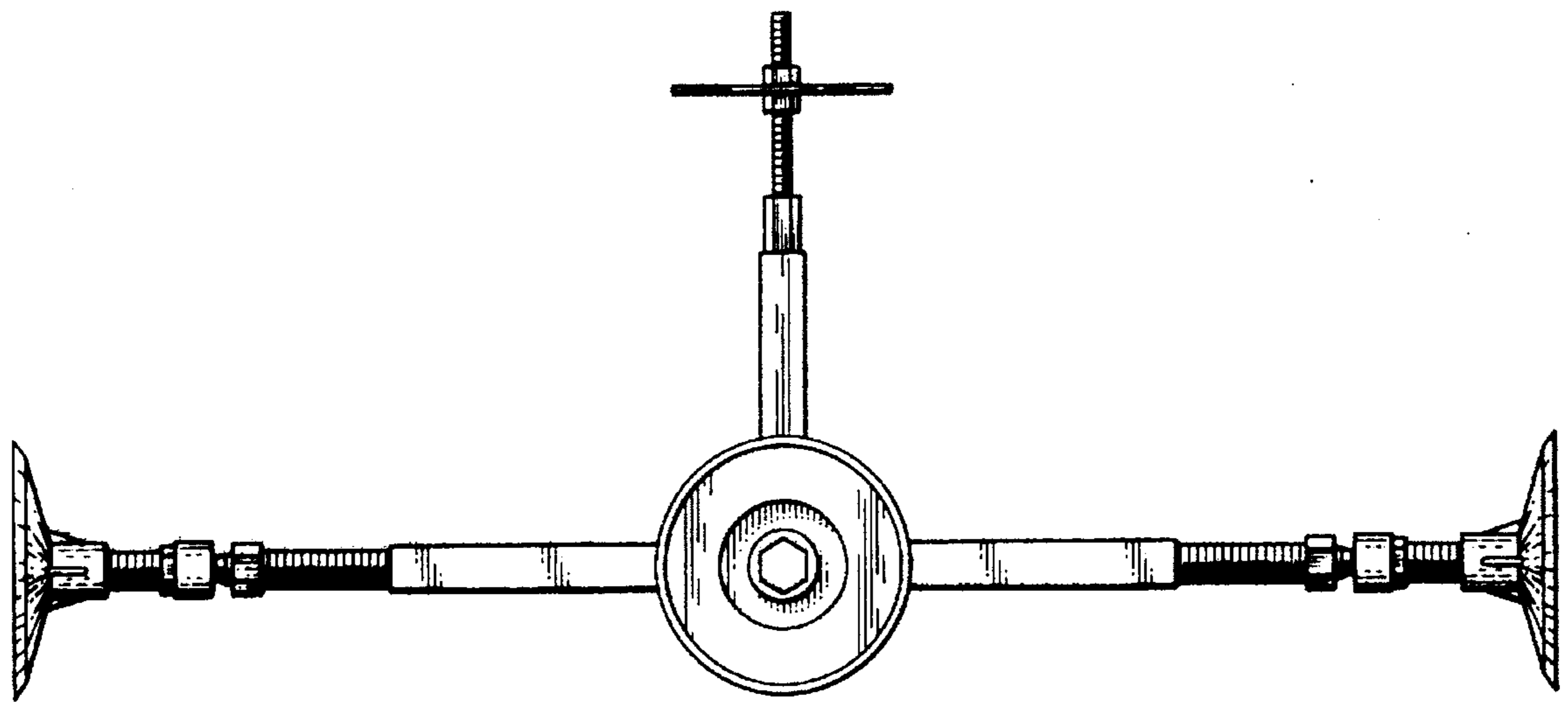


Fig. 6

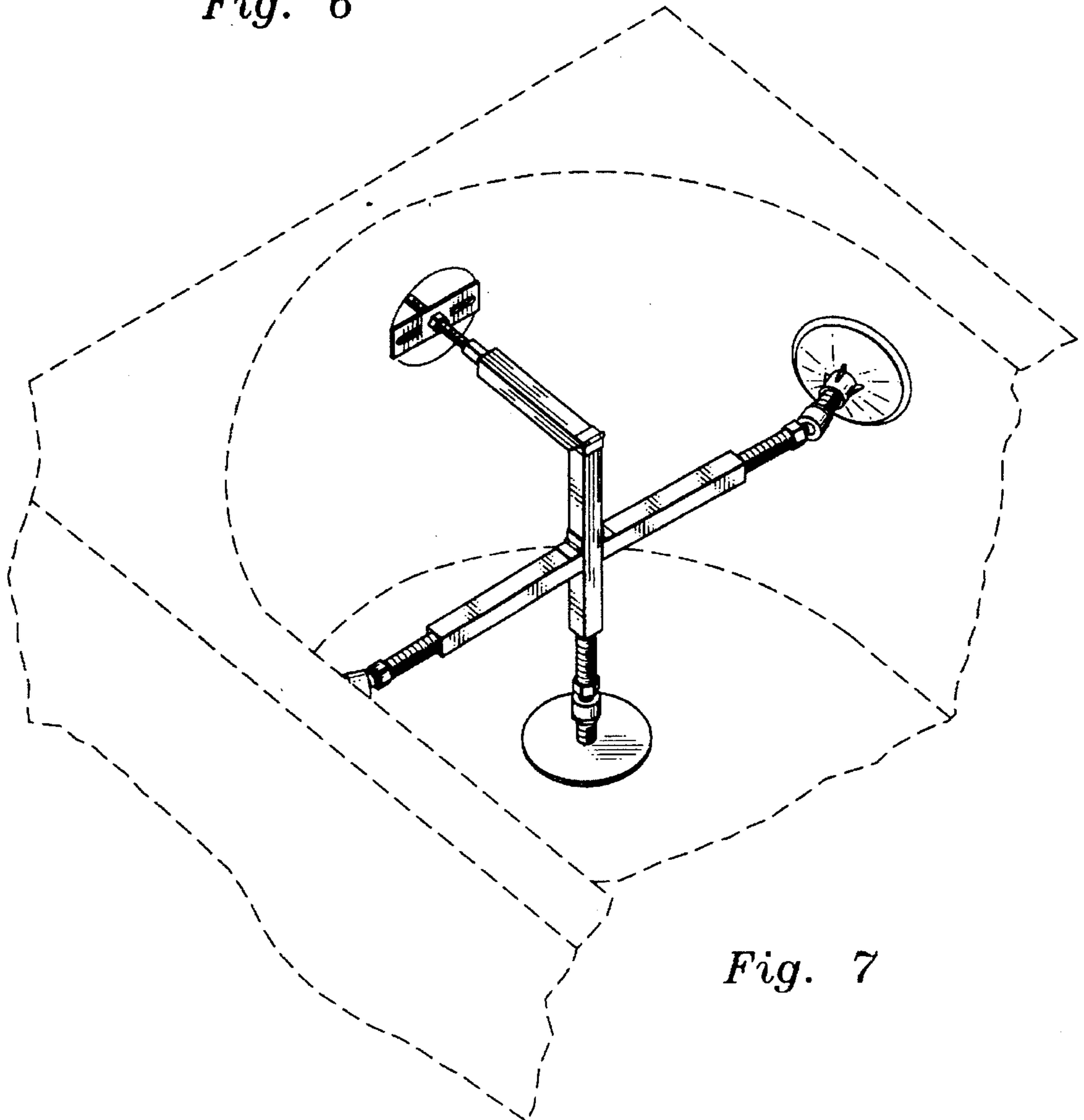


Fig. 7