



US00D382780S

United States Patent [19]

[11] Patent Number: **Des. 382,780**

Meisner et al.

[45] Date of Patent: ****Aug. 26, 1997**

[54] **GUARD FOR VEGETATION-CUTTING TOOL**

[75] Inventors: **Edward Meisner**, Short Hills, N.J.;
Keith Kristiansen, Stratford, Conn.;
Michael Ballone, New Providence,
N.J.; **Roger Q. Smith**, Reisterstown,
Md.

[73] Assignee: **Black & Decker Inc.**, Newark, Del.

[**] Term: **14 Years**

[21] Appl. No.: **55,830**

[22] Filed: **May 6, 1996**

Related U.S. Application Data

[63] Continuation of Ser. No. 40,280, Jun. 14, 1995, abandoned.

[51] LOC (6) Cl. **08-01**

[52] U.S. Cl. **D8/8**

[58] Field of Search D8/8; 56/127;
30/276, 347

[56] References Cited

U.S. PATENT DOCUMENTS

D. 249,630	9/1978	Ballas	D8/8
D. 251,699	5/1979	Averitt	D8/8
D. 251,961	5/1979	Averitt	D8/8
D. 255,764	7/1980	Lombard	D8/8
D. 292,980	12/1987	Tomita et al.	D8/8
D. 301,009	5/1989	Pilatowicz et al.	D8/8
D. 307,860	5/1990	Ellis	D8/8
D. 317,852	7/1991	Fujiwara et al.	D8/8
D. 320,398	10/1991	Clivio	D8/8
D. 335,674	5/1993	Hoshino	D8/8
D. 336,223	6/1993	Miyamoto et al.	D8/8
D. 349,220	8/1994	Griffin	D8/8
D. 349,221	8/1994	Griffin	D8/8
D. 351,768	10/1994	Griffin	D8/8
D. 354,892	1/1995	Griffin	D8/8
D. 356,014	3/1995	Griffin	D8/8
4,200,978	5/1980	Irelan et al.	
4,285,128	8/1981	Schnell et al.	
4,338,719	7/1982	Burkholder	
4,490,910	1/1985	Mattson et al.	56/12.7 X
4,501,332	2/1985	Straayer	
4,578,863	4/1986	Laverick	
4,679,385	7/1987	Carmine	

4,733,471	3/1988	Rahe
4,823,464	4/1989	Gorski
4,825,548	5/1989	Driggers
4,987,732	1/1991	Terai et al.
5,027,591	7/1991	Nakamura et al.
5,181,369	1/1993	Everts
5,265,341	11/1993	Kikuchi

FOREIGN PATENT DOCUMENTS

0515909 5/1992 European Pat. Off. .

OTHER PUBLICATIONS

Hardware Age, p. 36b, guard for the line trimmer—item A at bottom of page Sep. 1985.

Weed Eater Brochure, p. 2, guard for line trimmer—item B at top of page Apr. 10, 1987.

Hardware Age, p. 61, guard for line trimmer—item A at right of page Mar. 1986.

German publication M 92 05 166.9, Mar., 1993, Weed Trimmer.

German publication M 94 07 032.6, Jan. 1995, Weed Trimmer.

German publication M 91 03 881, Jan. 1992, Weed Trimmer. International Designs Bulletin—Dec. 1992 DM/024 776.

Primary Examiner—Holly Baynham

Attorney, Agent, or Firm—Charles E. Yocum; Dennis A. Dearing; John D. Del Ponti

[57] CLAIM

The ornamental design for guard for vegetation-cutting tool, as shown in the drawings.

DESCRIPTION

FIG. 1 is a right side perspective view of a preferred embodiment of a guard for vegetation-cutting tool in accordance with the present invention;

FIG. 2 is a bottom view of the guard of FIG. 1;

FIG. 3 is a top view of the guard of FIG. 1;

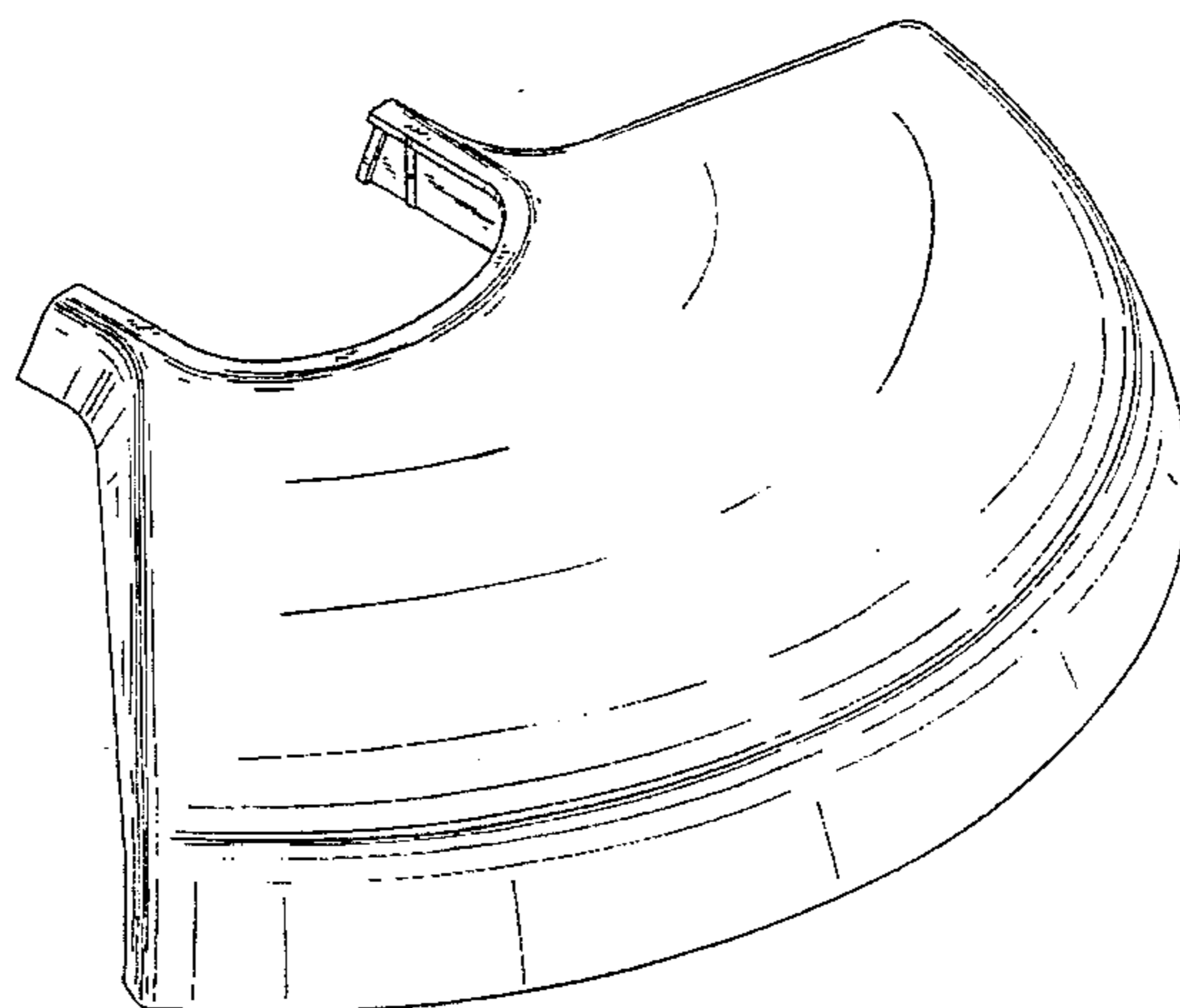
FIG. 4 is a rear view of the guard of FIG. 1;

FIG. 5 is a front view of the guard shown in FIG. 1;

FIG. 6 is a right side view of the guard shown in FIG. 1; and,

FIG. 7 is a left side view of the guard of FIG. 1.

1 Claim, 6 Drawing Sheets



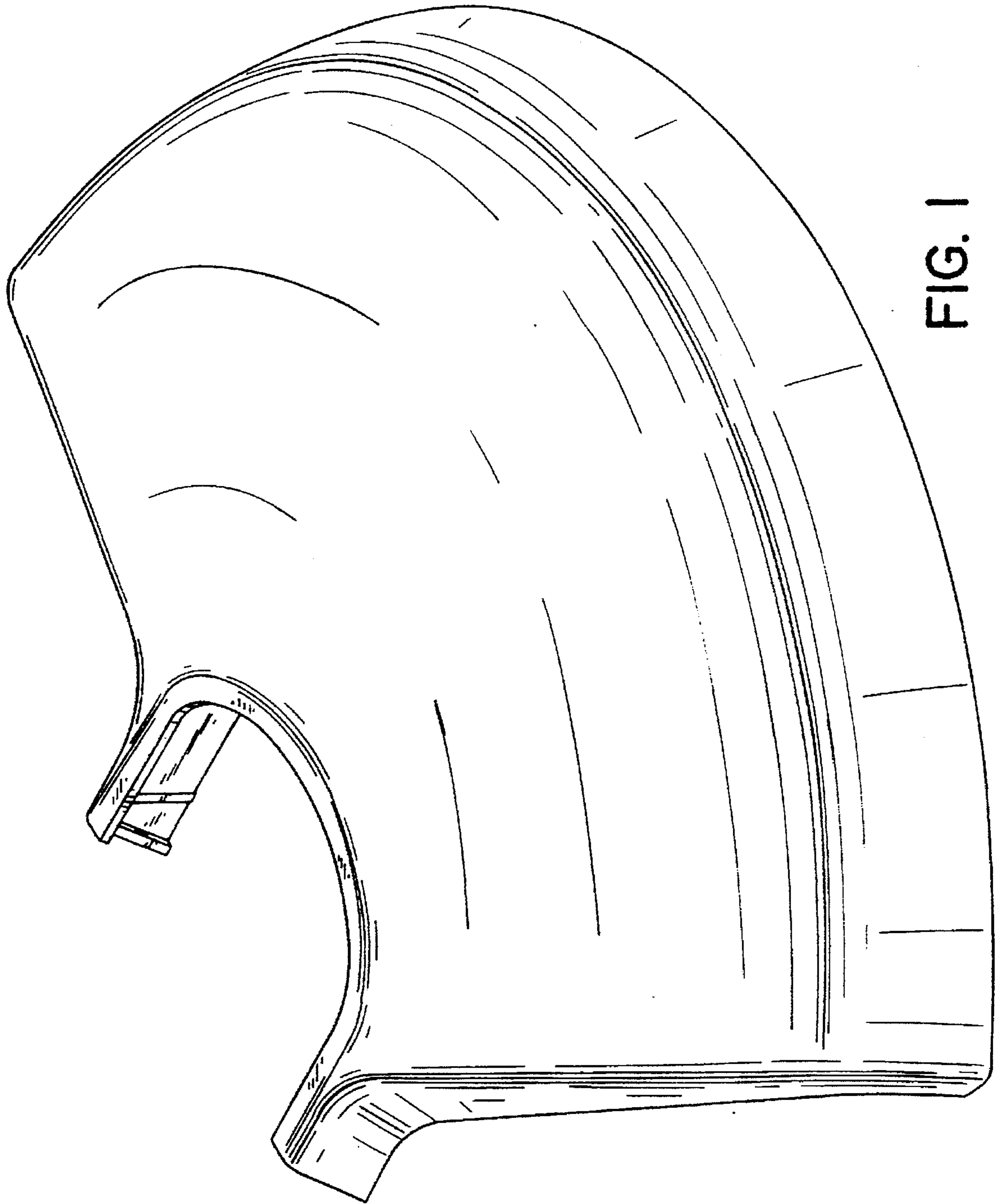


FIG. 1

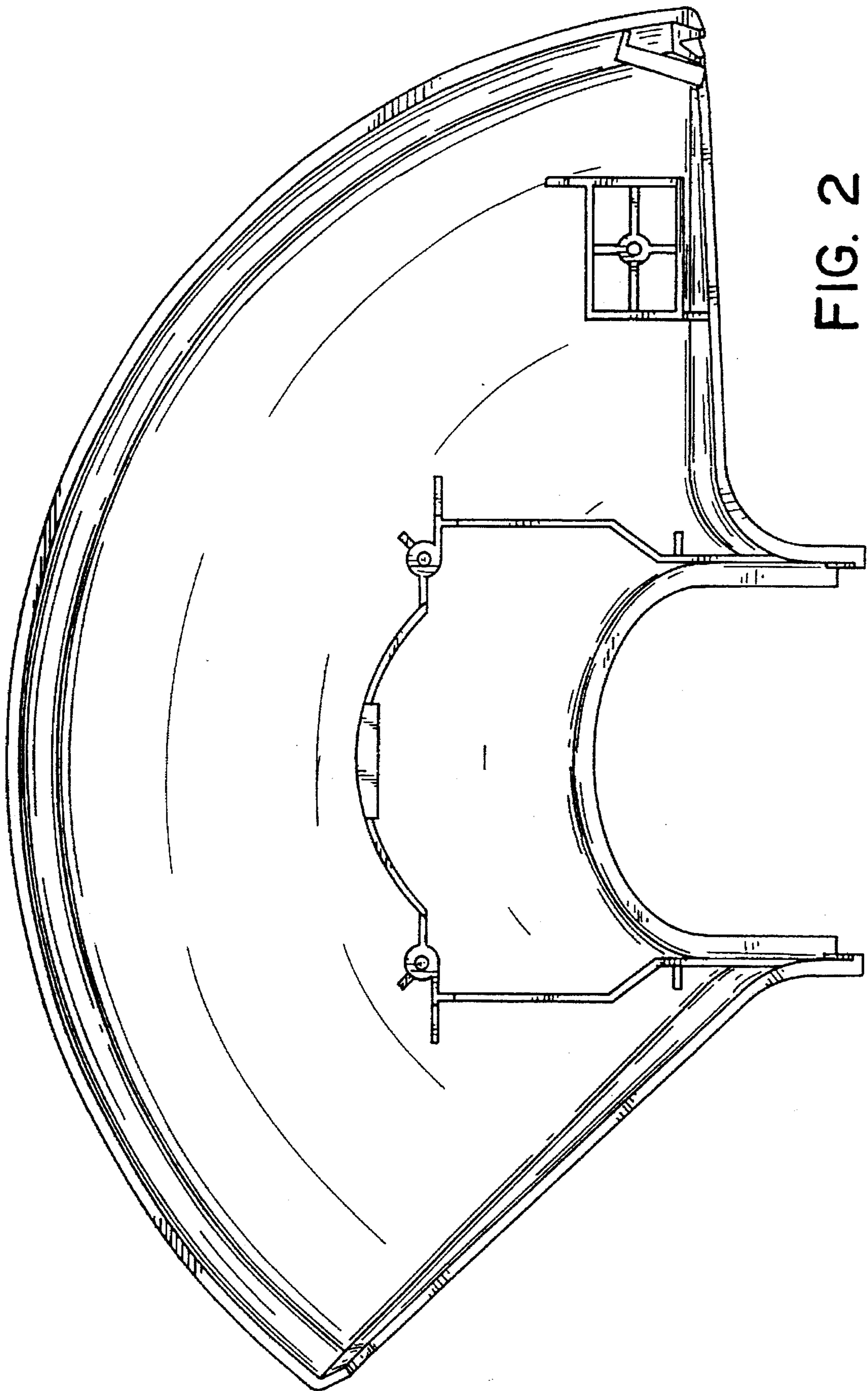


FIG. 2

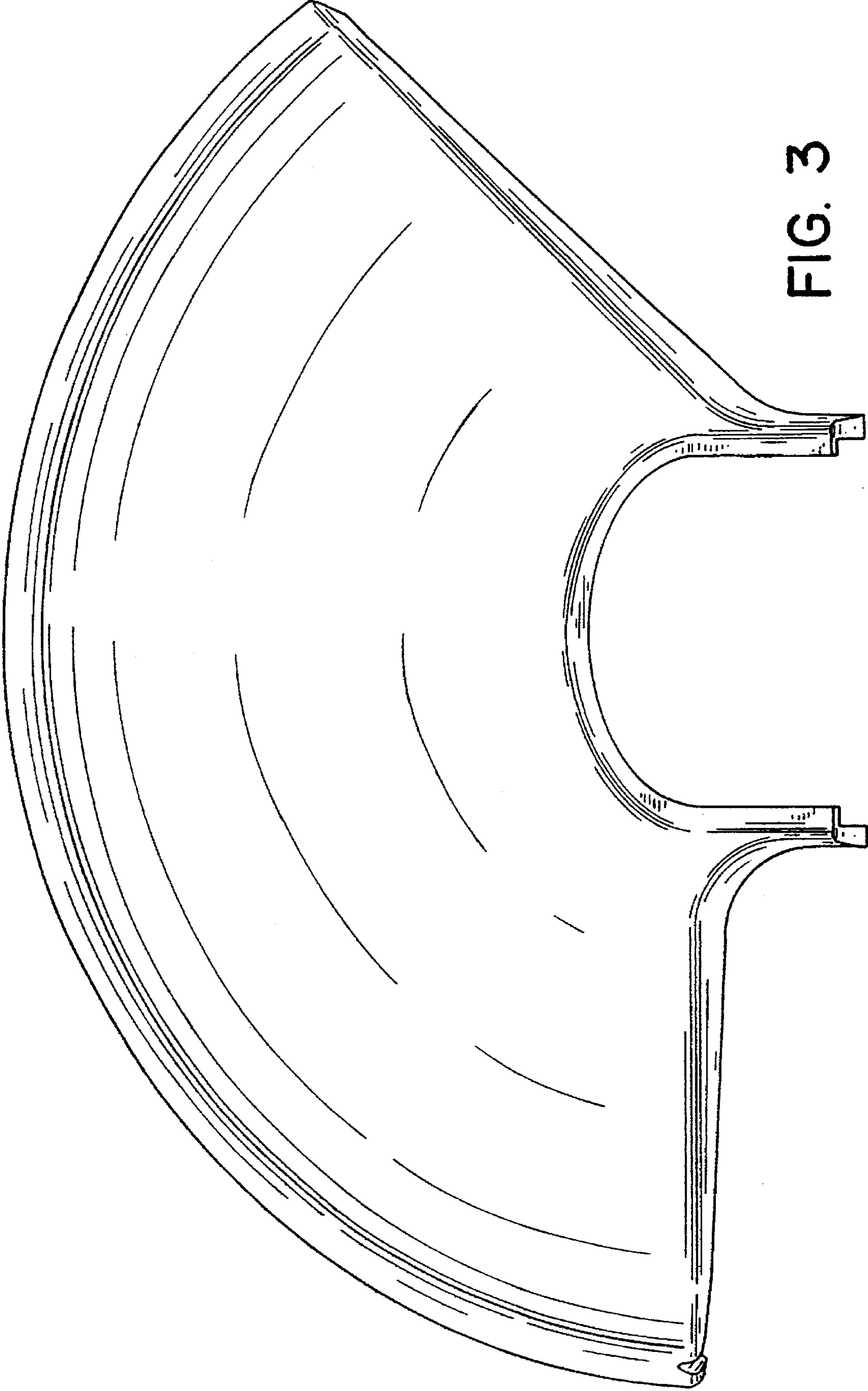


FIG. 3

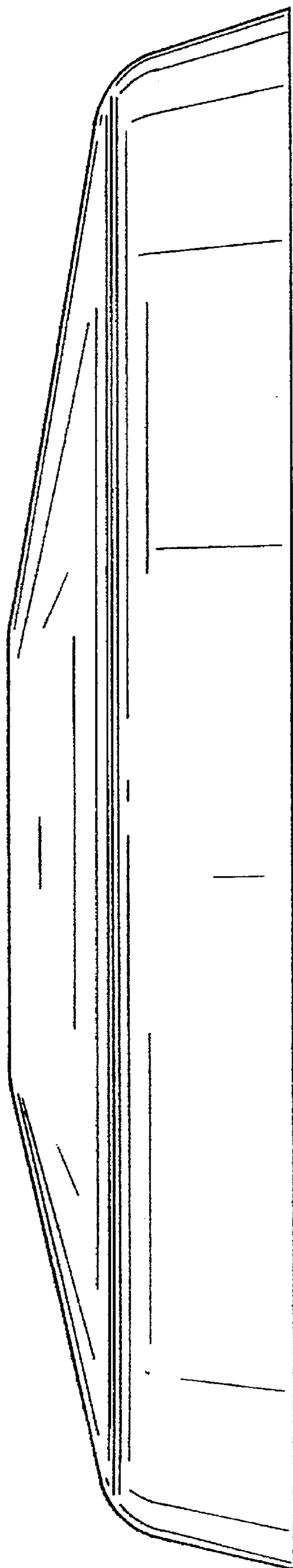


FIG. 4

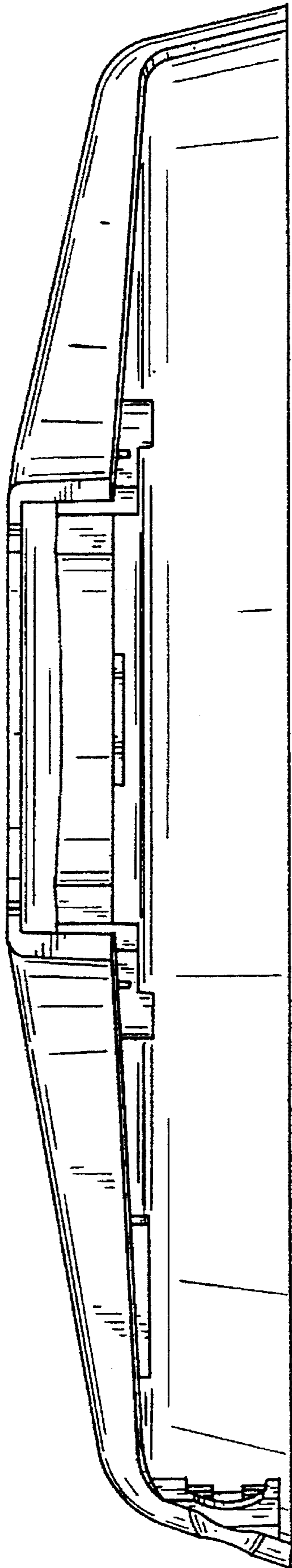


FIG. 5

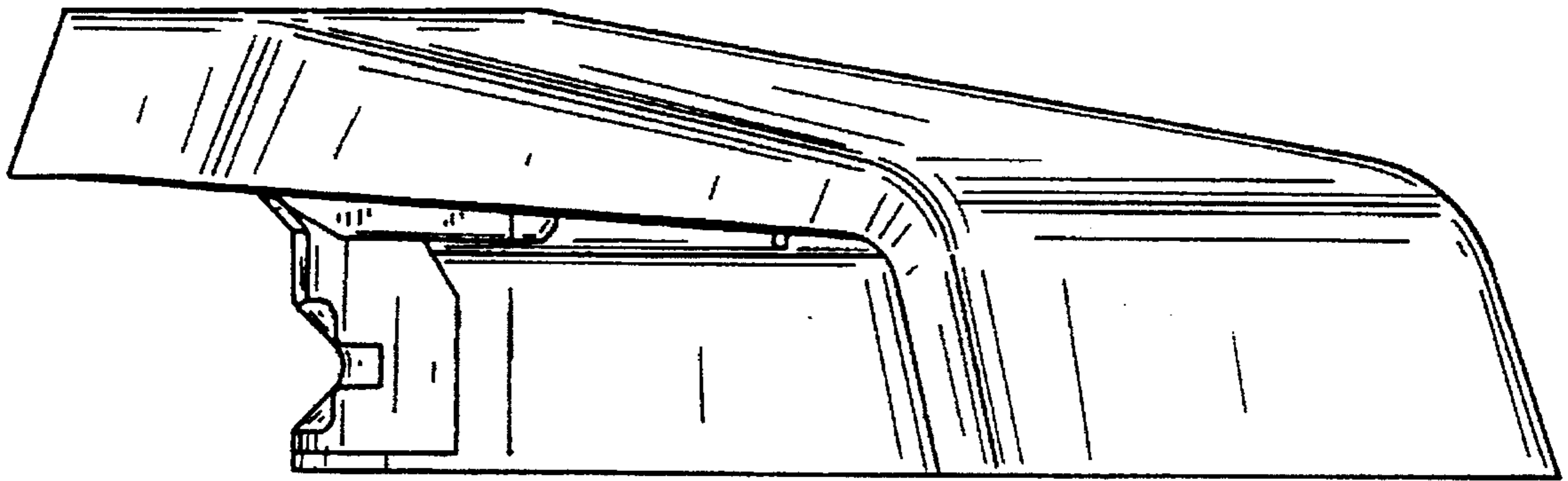


FIG. 6

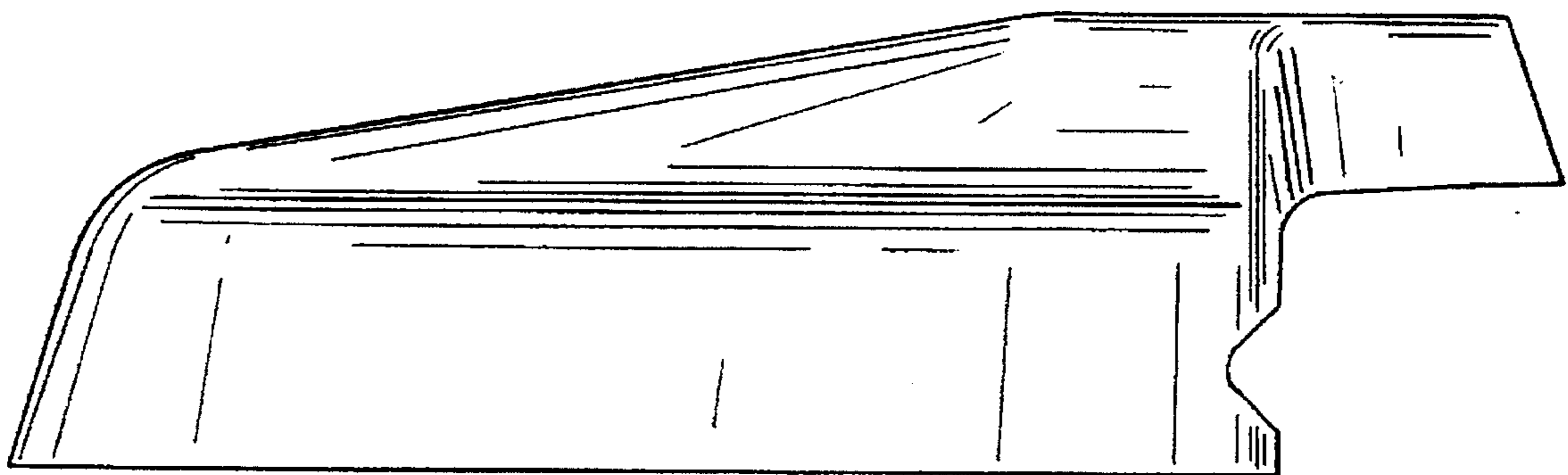


FIG. 7