



US00D382777S

United States Patent [19]
Peniche

[11] **Patent Number:** **Des. 382,777**
[45] **Date of Patent:** ****Aug. 26, 1997**

[54] **TOY FOOD STORAGE CONTAINER WITH LID**

D. 301,394 6/1989 Schrader D3/270 X
D. 320,501 10/1991 Marks D3/271 X

[76] **Inventor:** **Rosaline Peniche**, 835 W. Cedar St.,
Compton, Calif. 90220

Primary Examiner—Terry A. Wallace

[**] **Term:** **14 Years**

[57] **CLAIM**

The ornamental design for a toy food storage container with lid, as shown and described.

[21] **Appl. No.:** **56,515**

[22] **Filed:** **Jul. 1, 1996**

DESCRIPTION

[51] **LOC (6) Cl.** **11-02**

[52] **U.S. Cl.** **D7/710; D7/628; D21/166**

[58] **Field of Search** **D7/628, 709, 710;**
D3/206, 270, 271; D21/59, 166, 109; 206/457;
446/268, 330, 479, 491

FIG. 1 is a front elevational view of the toy food storage container with lid showing my new design;

FIG. 2 is a rear elevational view thereof;

FIG. 3 is a right view thereof;

FIG. 4 is a left view thereof;

FIG. 5 is a top plan view thereof; and,

FIG. 6 is a bottom plan view thereof.

[56] **References Cited**

U.S. PATENT DOCUMENTS

D. 260,698 9/1981 Fitzgerald et al. D3/217

1 Claim, 3 Drawing Sheets

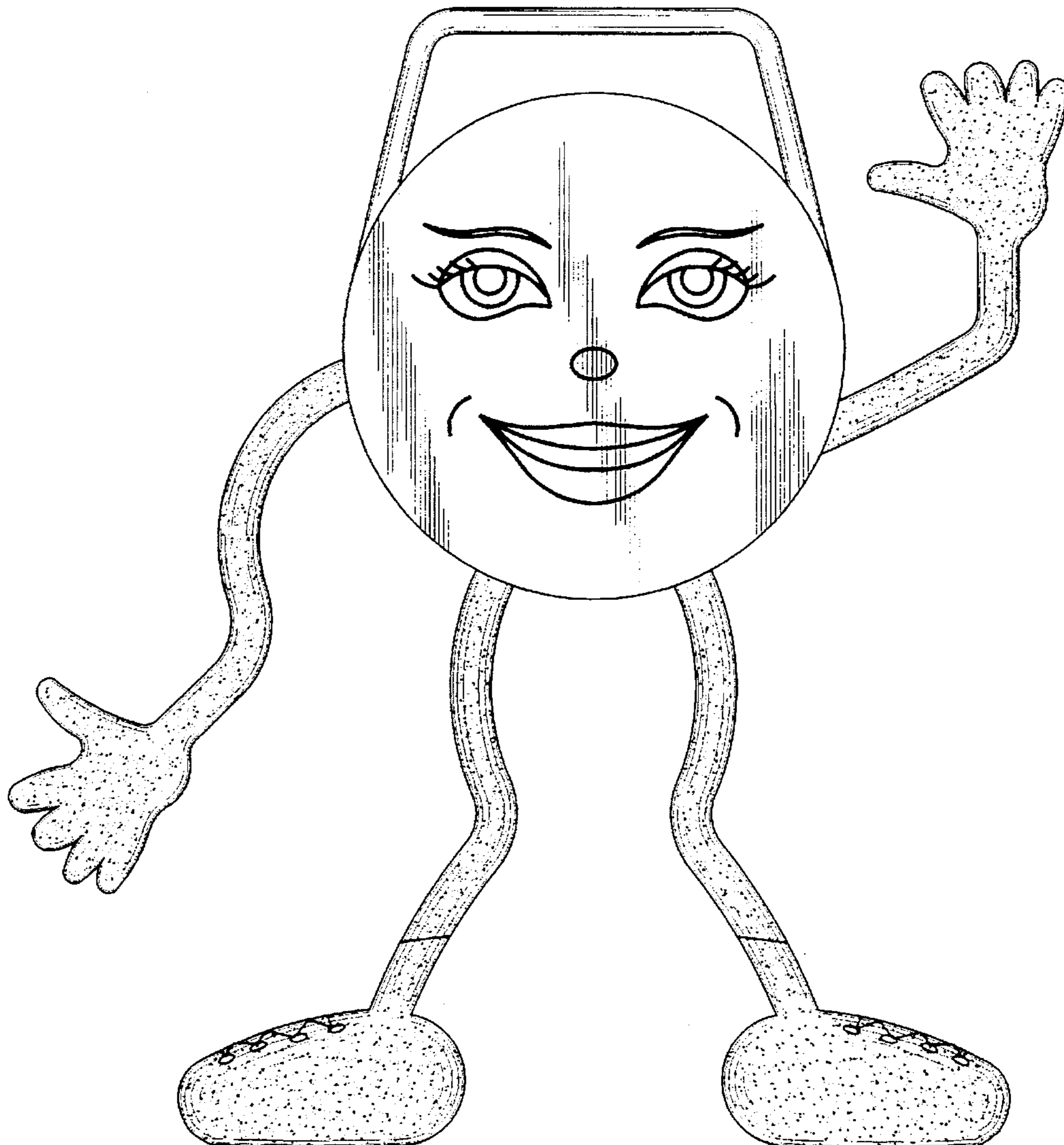


FIG. 1

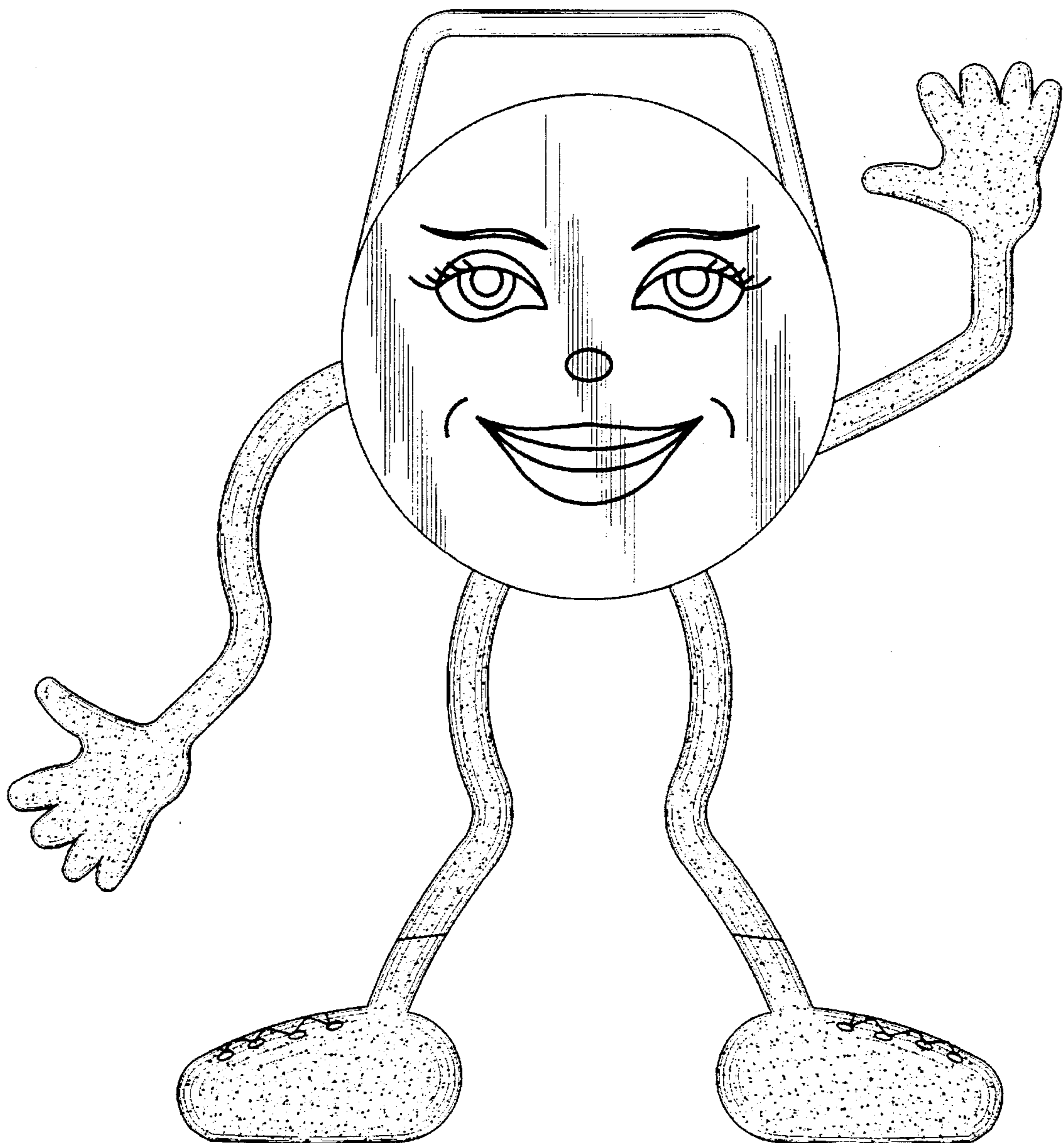


FIG. 2

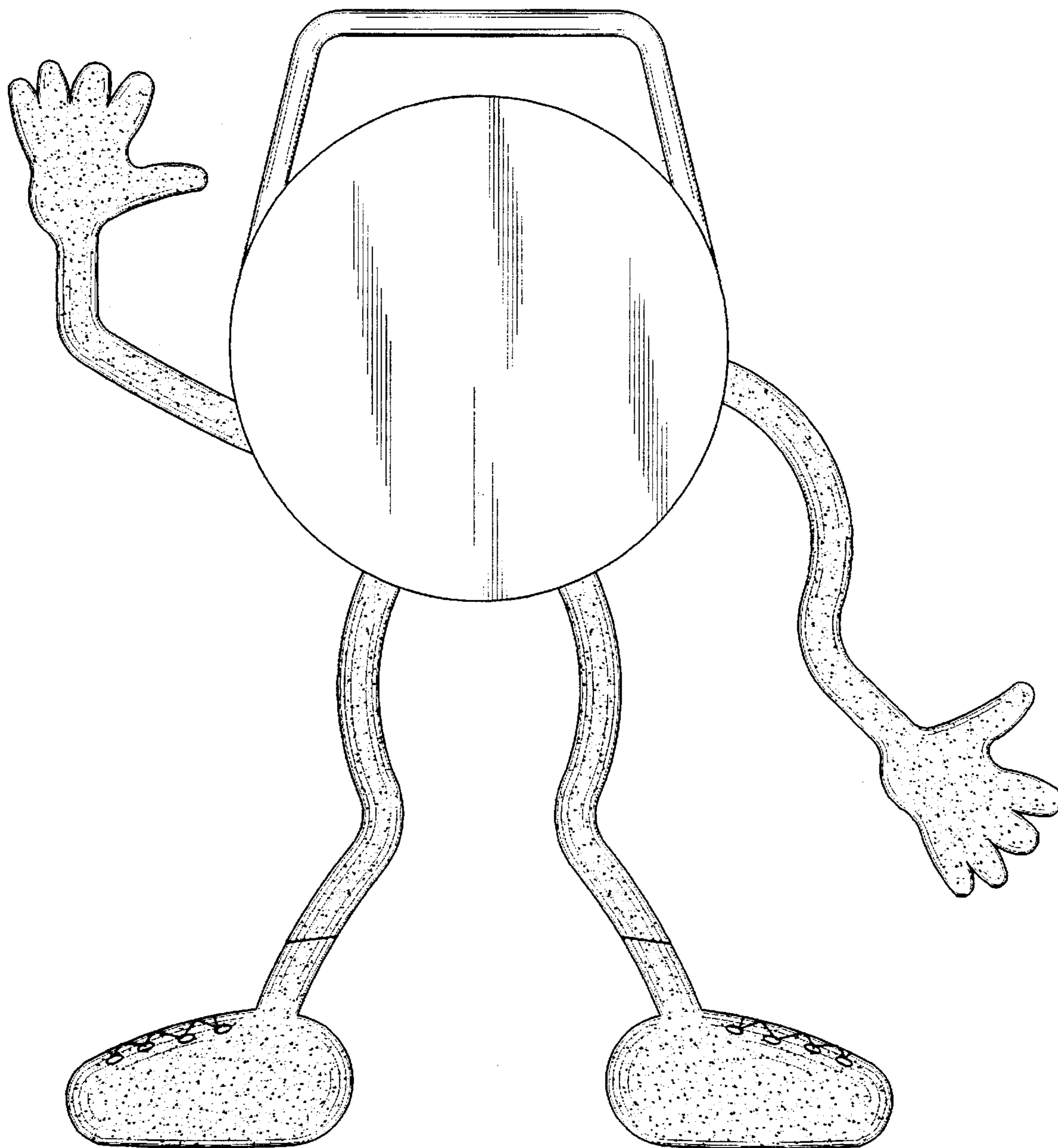


FIG. 3

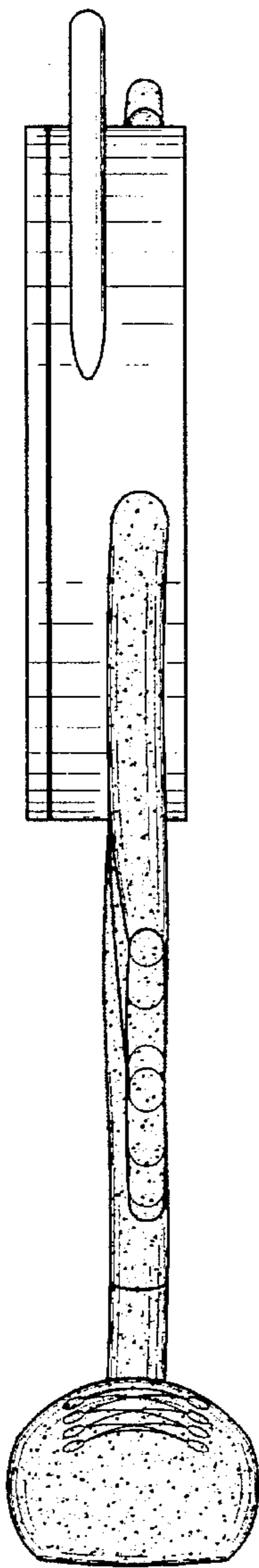


FIG. 4

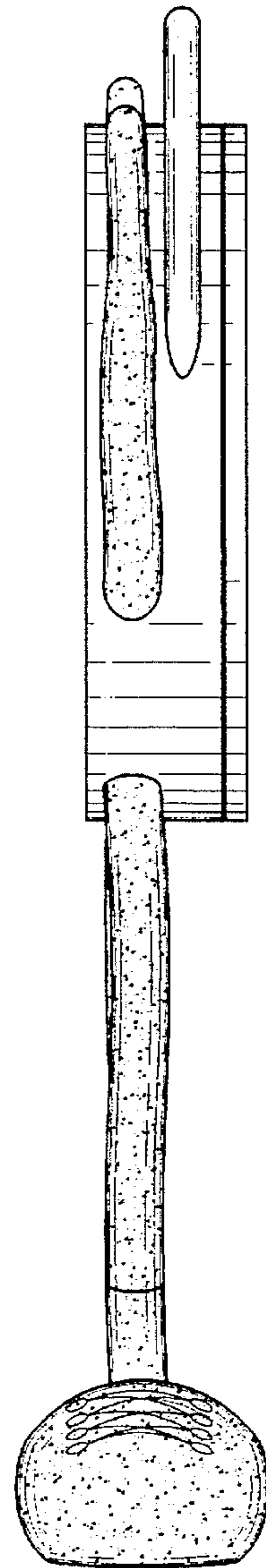


FIG. 5

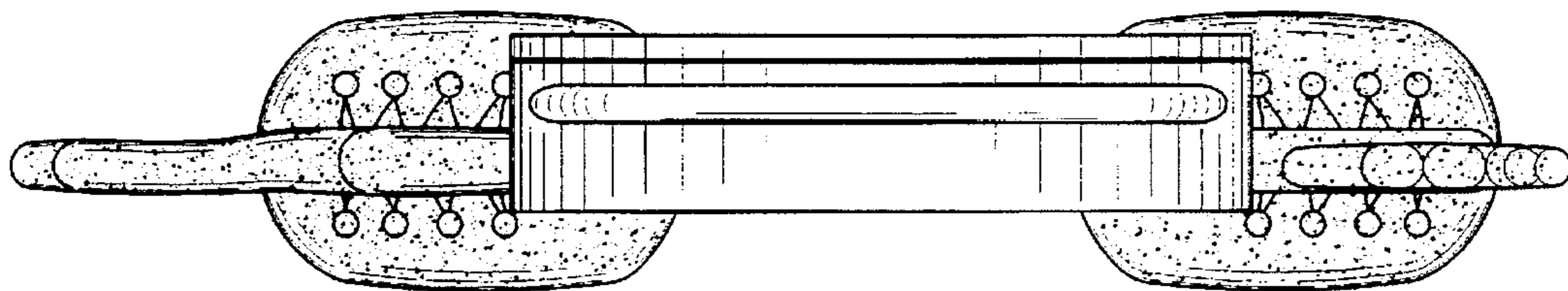


FIG. 6

