



US00D382775S

United States Patent [19]

[11] Patent Number: **Des. 382,775**

Skerker et al.

[45] Date of Patent: ****Aug. 26, 1997**

[54] **COMBINED KNIFE HOLDER AND CUTTING BOARD**

[75] Inventors: **Robert B. Skerker; Drew Kelly**, both of Buffalo, N.Y.

[73] Assignee: **Robinson Knife Mfg. Company, Inc.**, Buffalo, N.Y.

[**] Term: **14 Years**

[21] Appl. No.: **56,185**

[22] Filed: **Jun. 25, 1996**

[51] LOC (6) Cl. **07-99**

[52] U.S. Cl. **D7/638; D7/698**

[58] Field of Search D7/637-641, 698, D7/699; 211/13, 70.6, 70.7; 269/15, 16, 289 R, 302.1, 327

[56] **References Cited**

U.S. PATENT DOCUMENTS

D. 140,002	1/1945	Lewis	D7/641
D. 213,989	4/1969	Boone	D7/698
D. 295,249	4/1988	Peterson	D7/637
5,050,749	9/1991	Scaglione	211/70.7

OTHER PUBLICATIONS

Nasco Home Economics Catalog, 1984, #200, p. 207, Cutting Board #3.

Primary Examiner—Terry A. Wallace

Attorney, Agent, or Firm—Hedman, Gibson & Costigan, P.C.

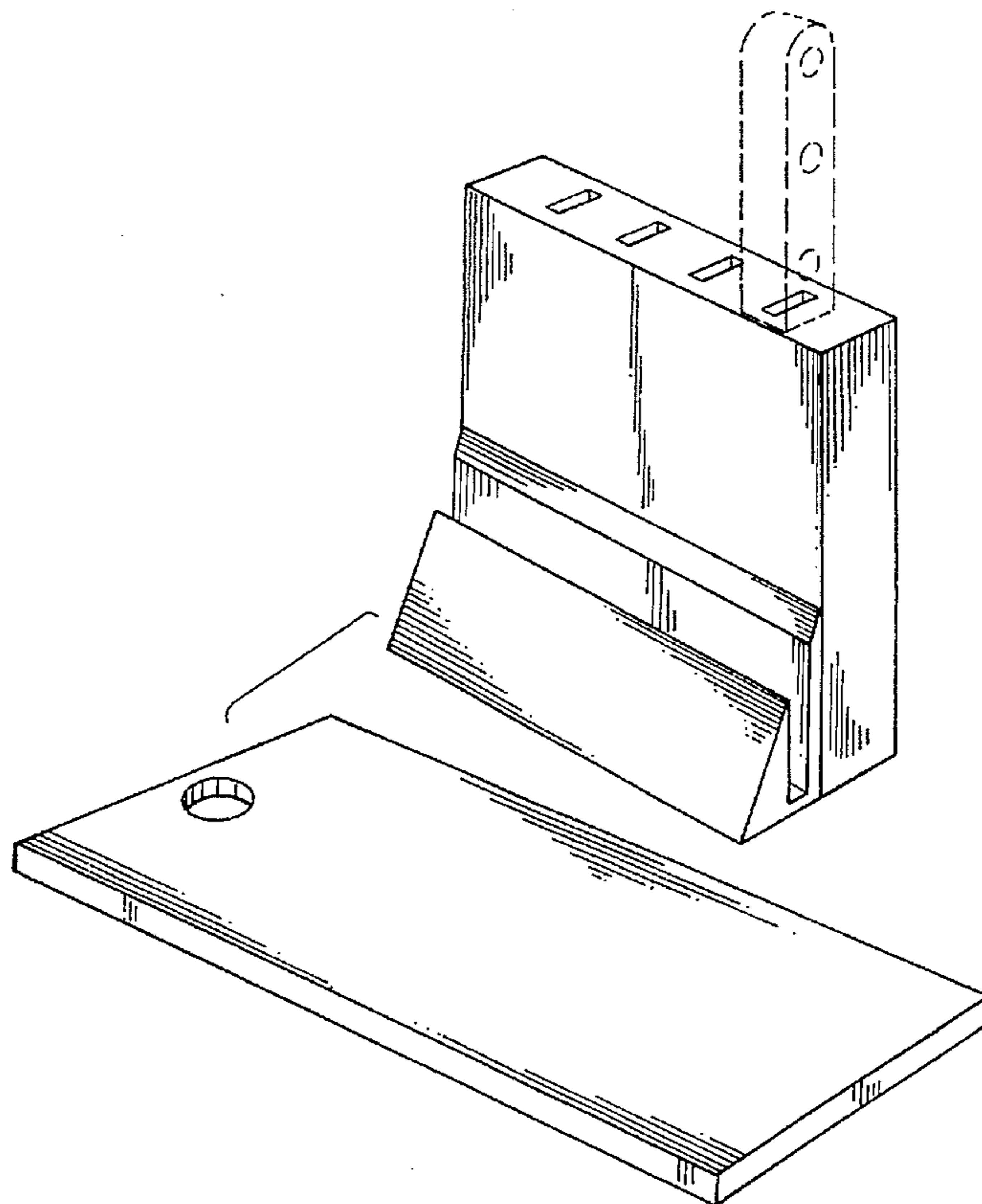
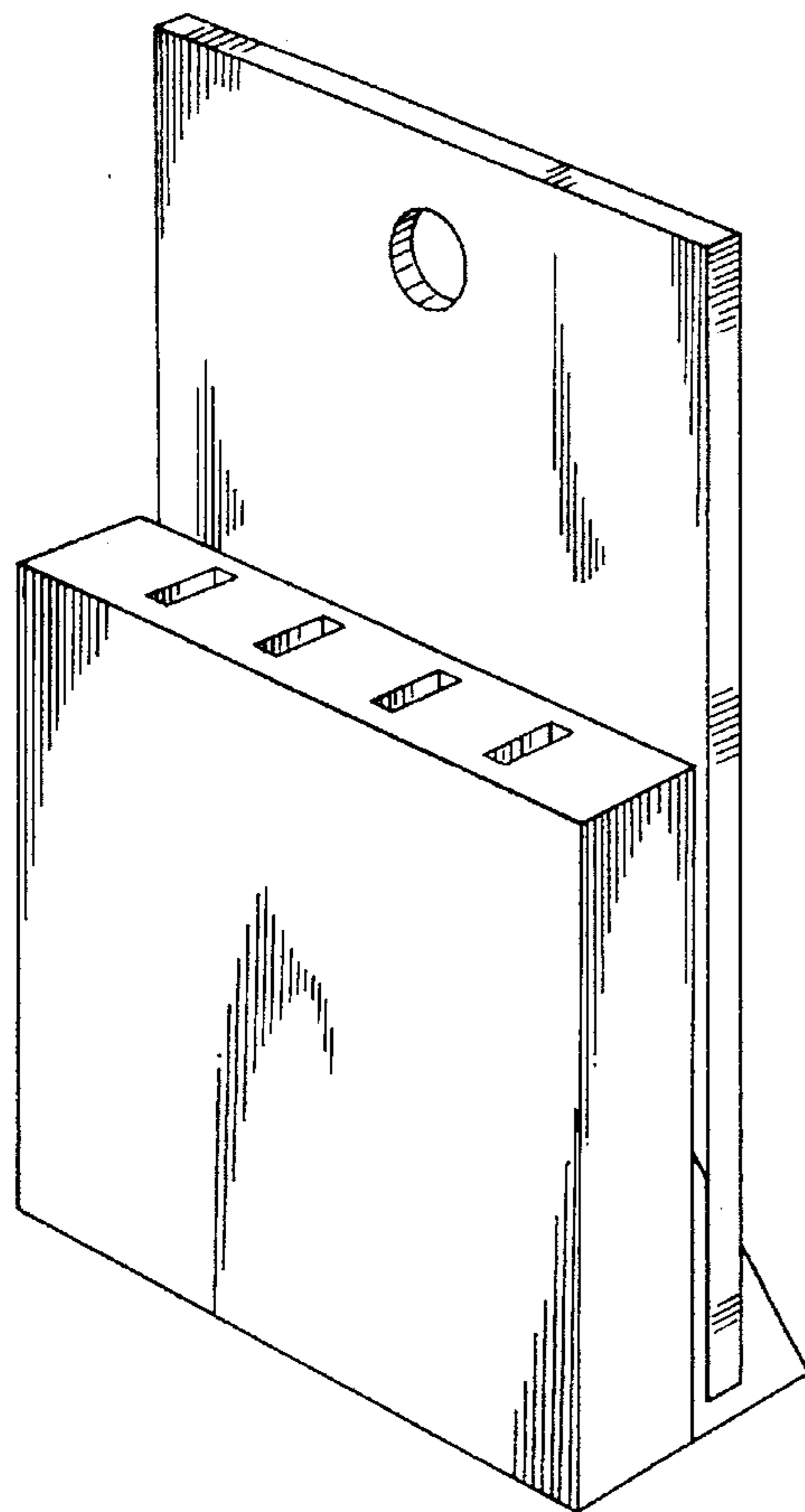
[57] **CLAIM**

The ornamental design for a combined knife holder and cutting board, as shown and described.

DESCRIPTION

FIG. 1 is a perspective view of a combined knife holder and cutting board showing our new design; FIG. 2 is a front elevation view thereof; FIG. 3 is a rear elevation view thereof; FIG. 4 is a side elevation view thereof; FIG. 5 is a top plan view thereof; FIG. 6 is a bottom plan view thereof; and, FIG. 7 is an exploded perspective view thereof, the knife shown in broken lines for illustrative purposes only and forming no part of the claimed design.

1 Claim, 5 Drawing Sheets



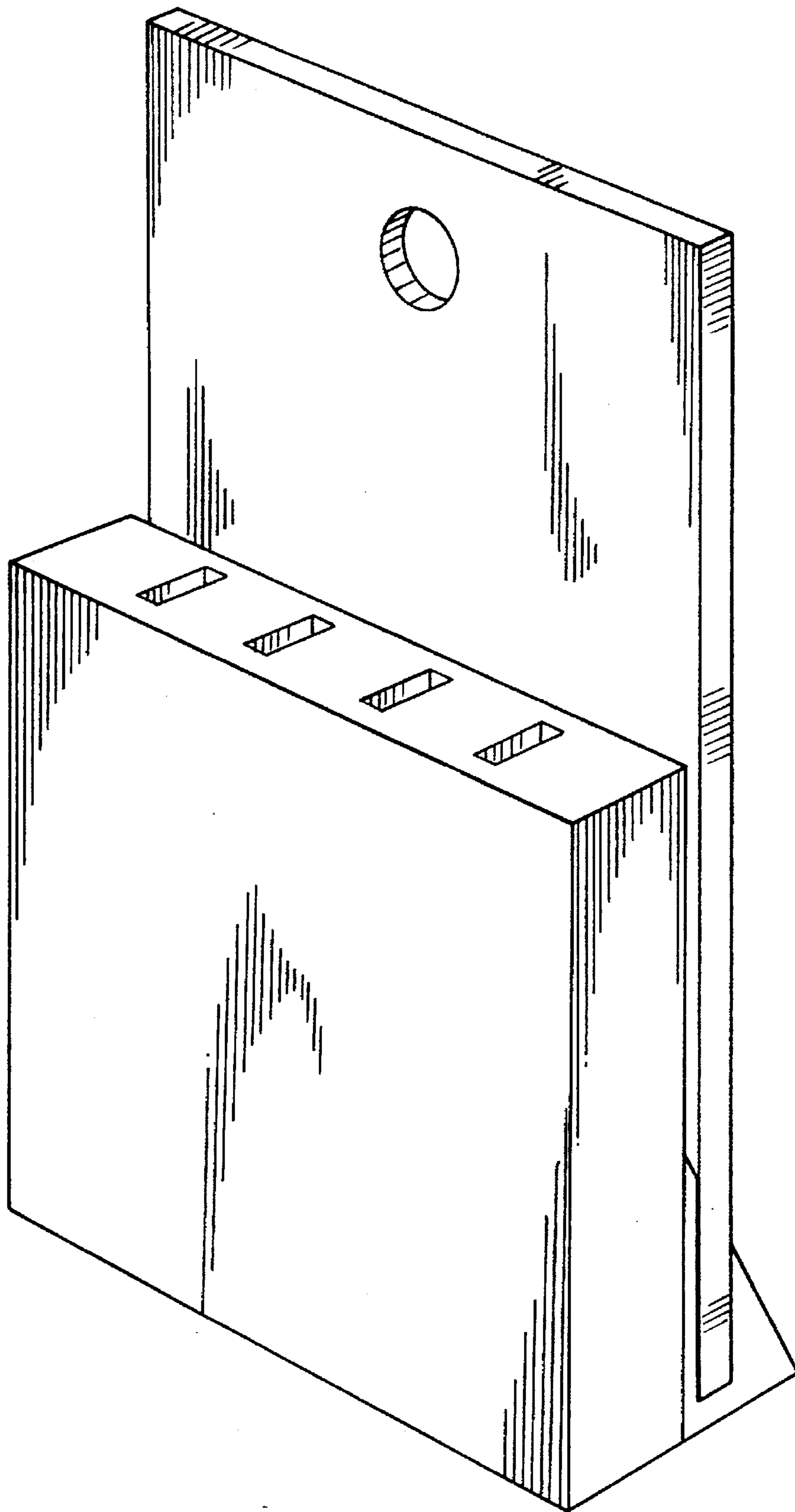


FIG. 1

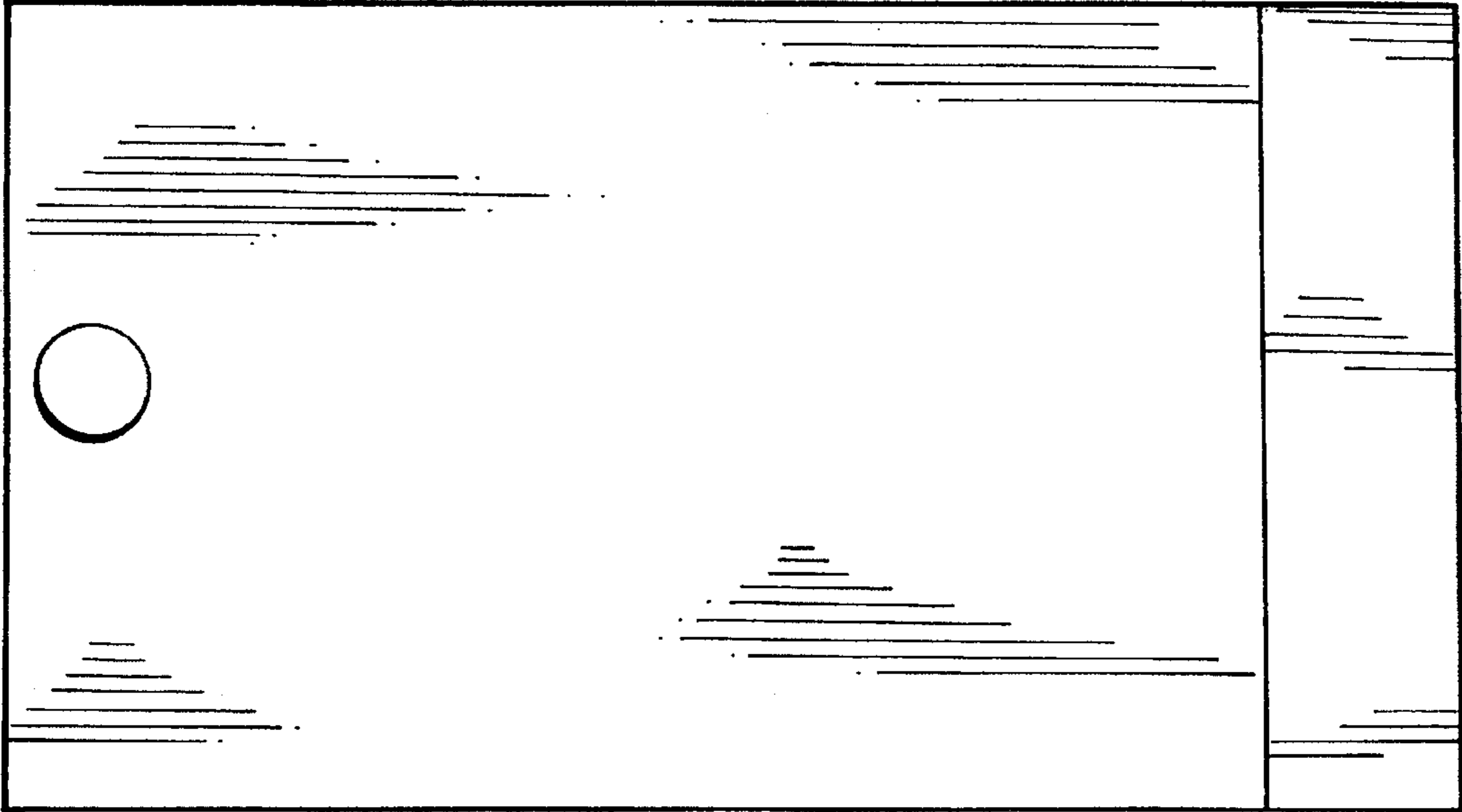


FIG. 3

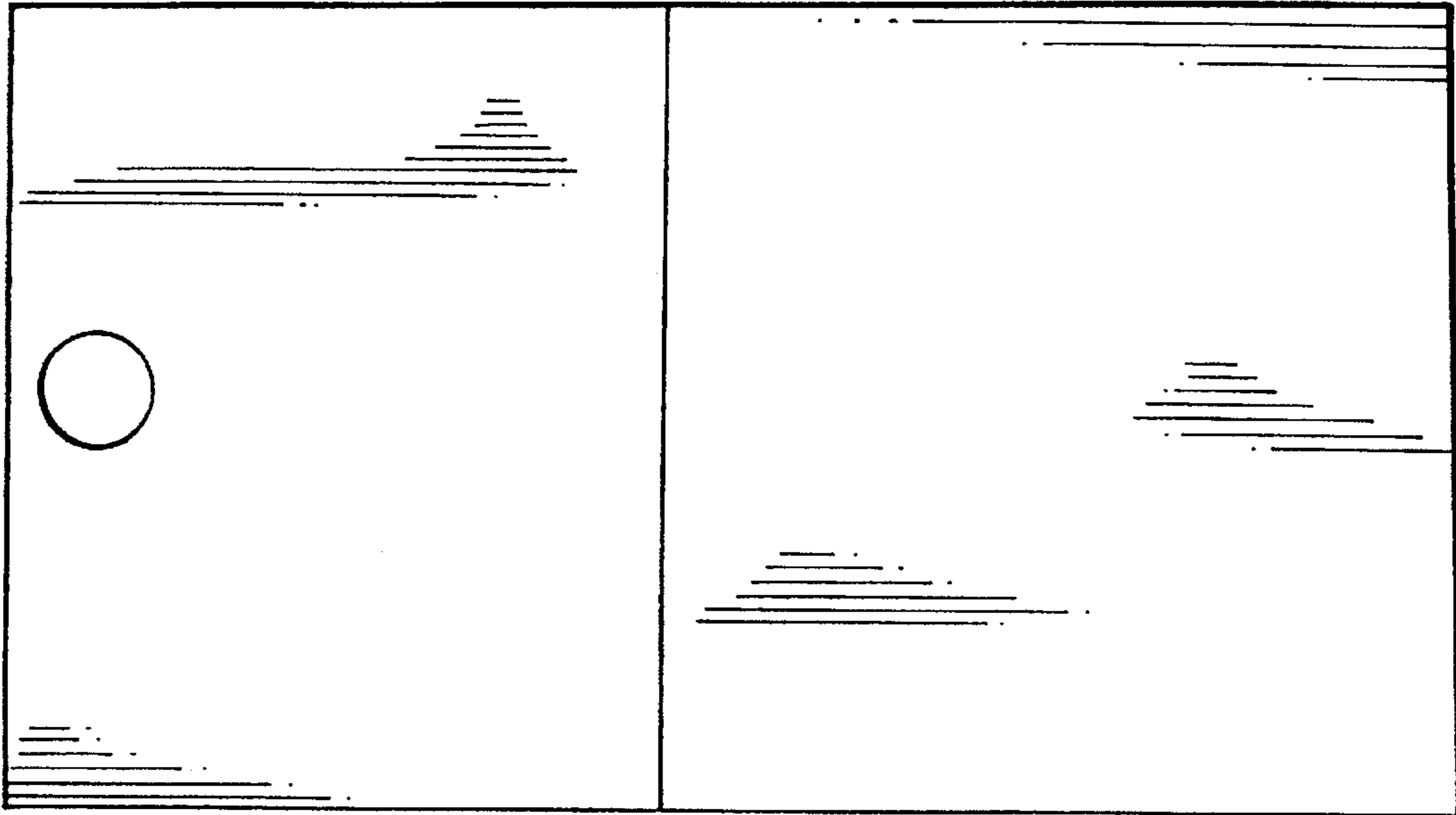


FIG. 2

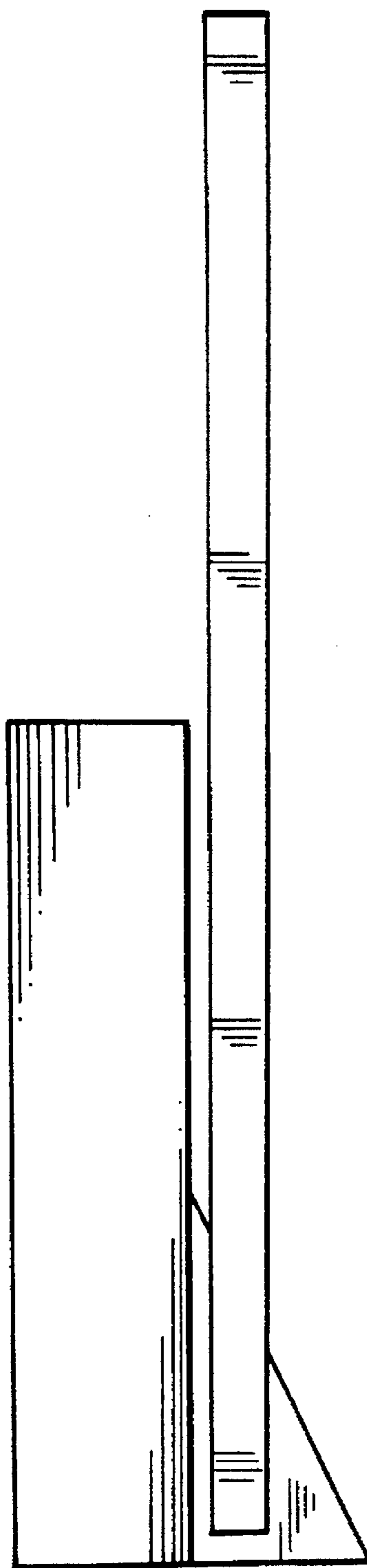


FIG. 4

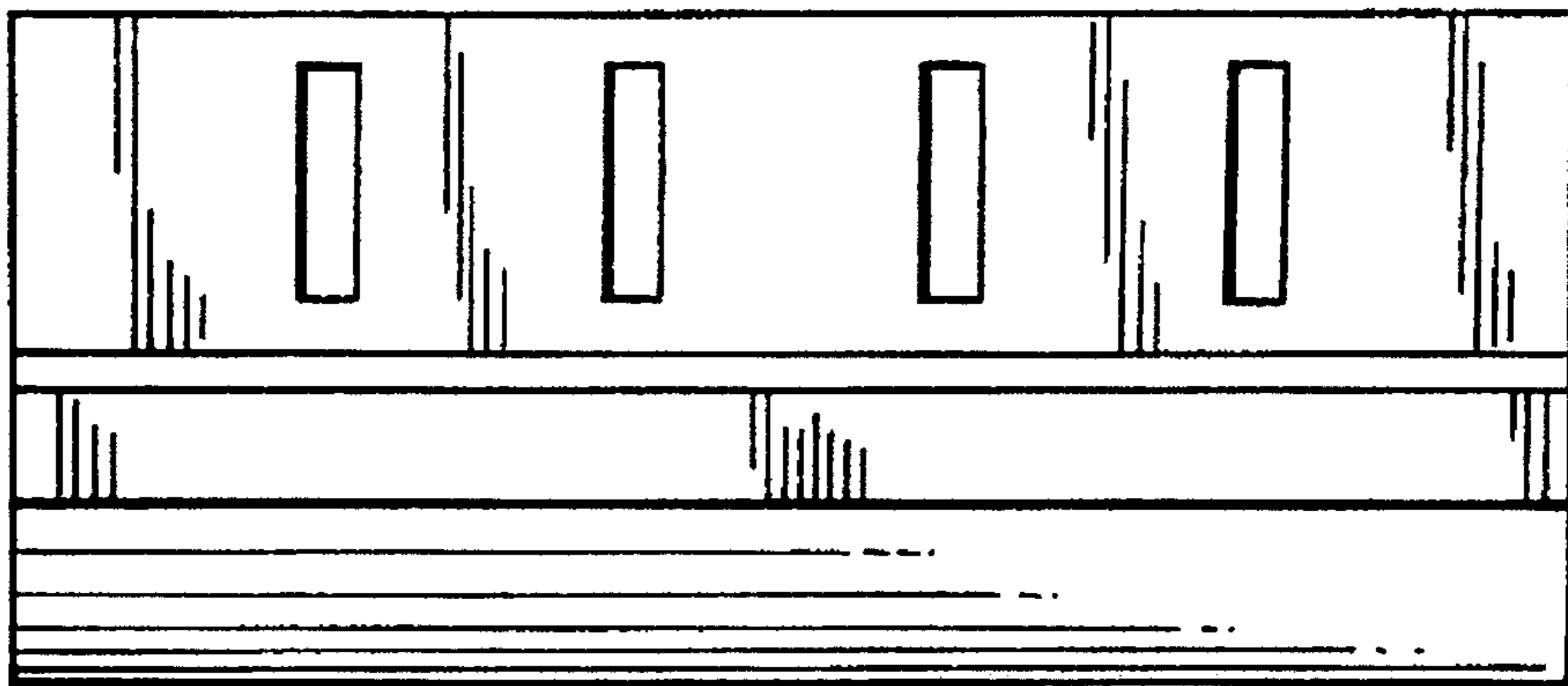


FIG. 5

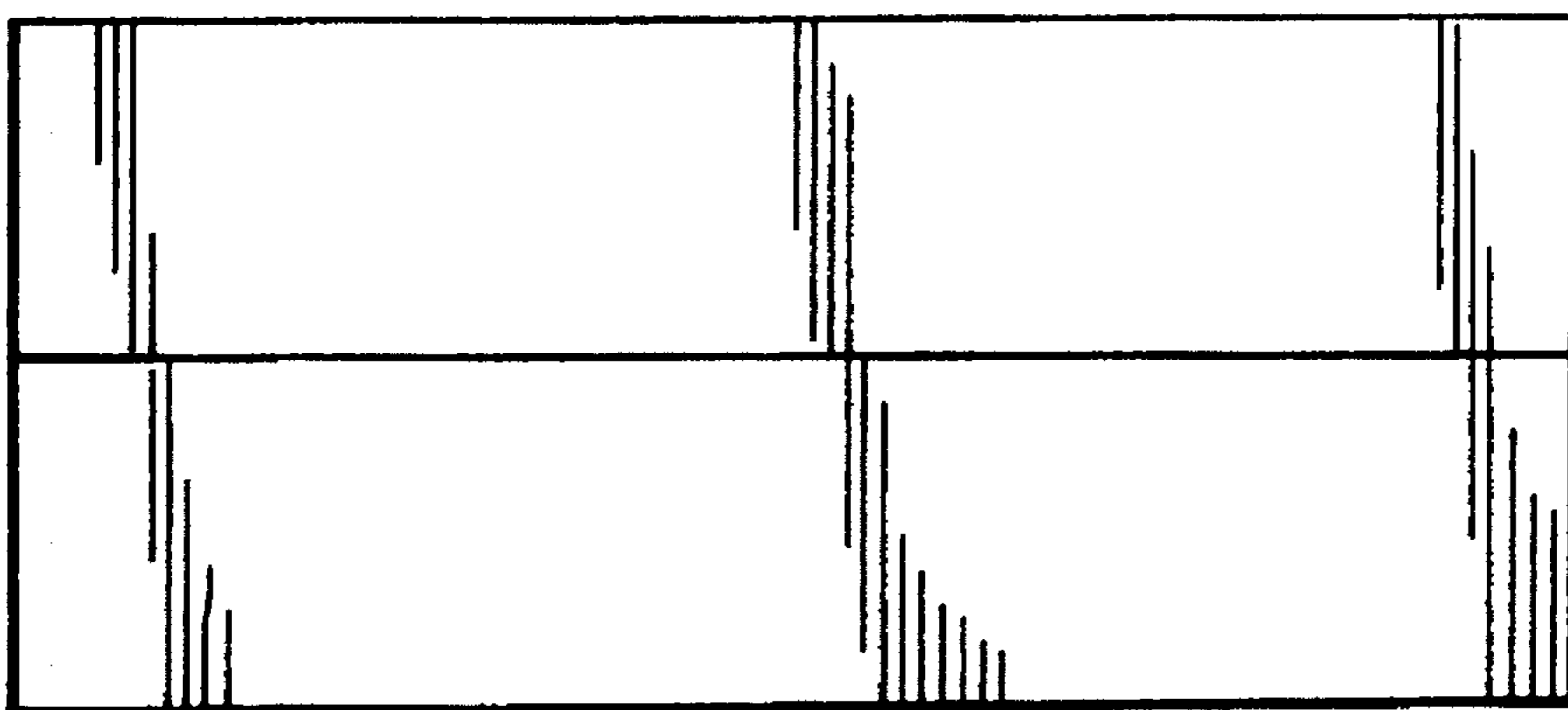


FIG. 6

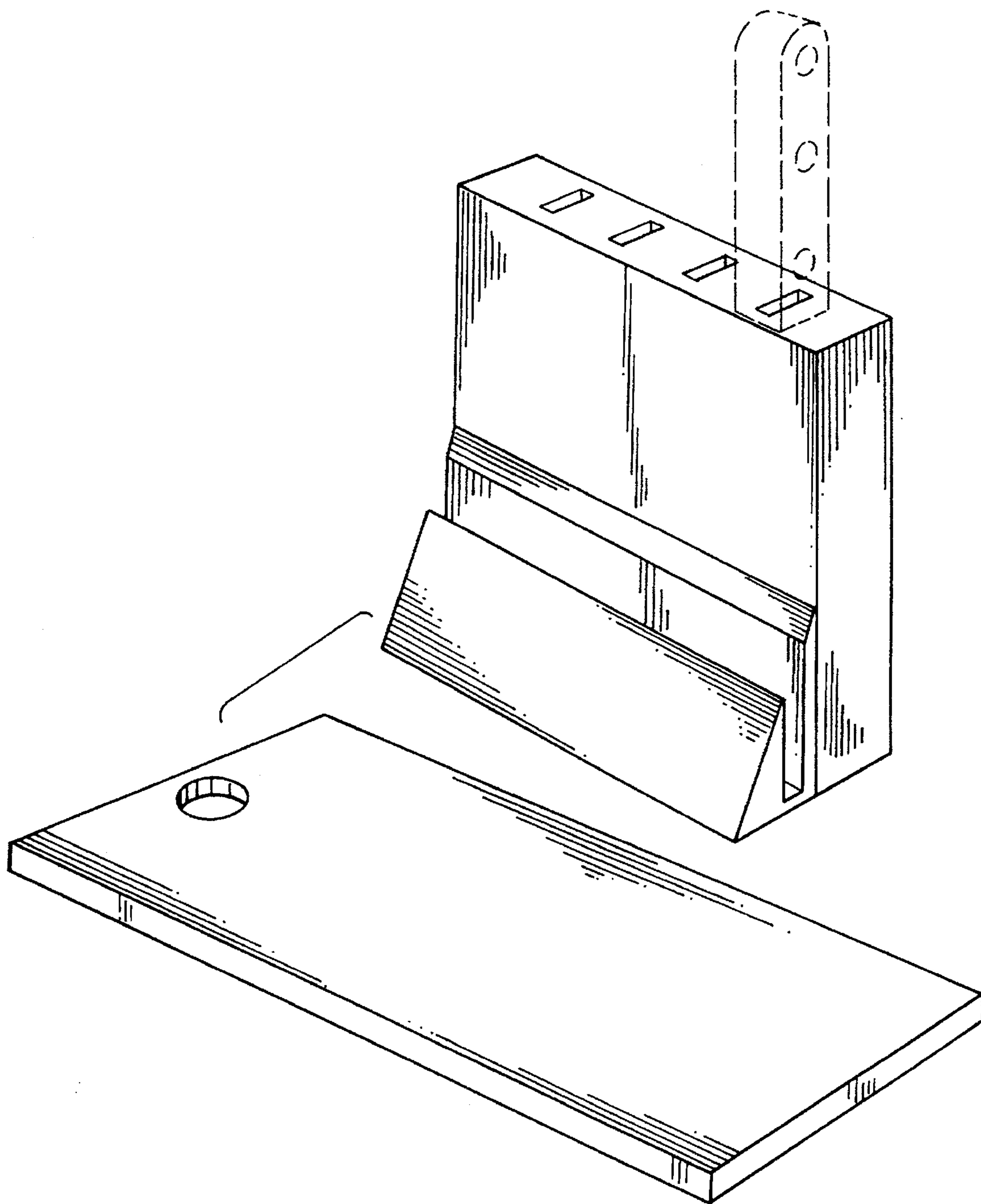


FIG. 7