



US00D382773S

United States Patent [19]

Cohen et al.

[11] Patent Number: Des. 382,773

[45] Date of Patent: **Aug. 26, 1997

[54] STORAGE BLOCK FOR KNIVES

[75] Inventors: **Milton L. Cohen**, Hewlett Bay Park;
Jeff Siegel, Great Neck; **Adam Krent**,
Brooklyn, all of N.Y.

[73] Assignee: **Lifetime Hoan Corporation**, Westbury,
N.Y.

[**] Term: 14 Years

[21] Appl. No.: 56,492

[22] Filed: Jul. 1, 1996

[51] LOC (6) Cl. 07-99

[52] U.S. Cl. D7/637

[58] Field of Search D7/637-641; 211/13,
211/70.6, 70.7, 60.1, 71, 163; D19/75,
77, 78, 81, 84, 85

[56] References Cited

U.S. PATENT DOCUMENTS

- D. 358,532 5/1995 Wang et al. D7/641
- D. 360,811 8/1995 Cohen et al. D7/641

Primary Examiner—Terry A. Wallace
Attorney, Agent, or Firm—Goodman & Teitelbaum, Esqs.

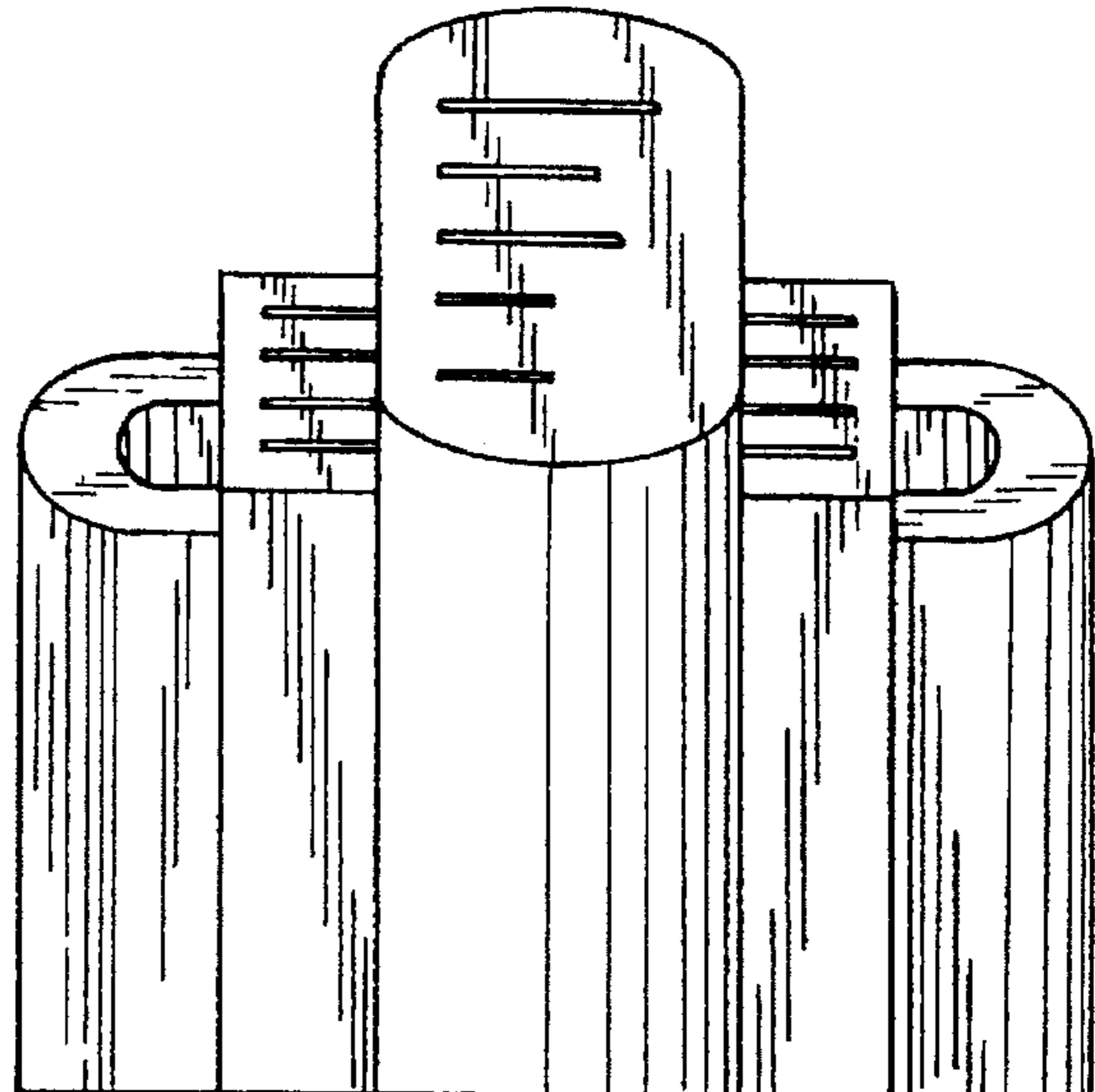
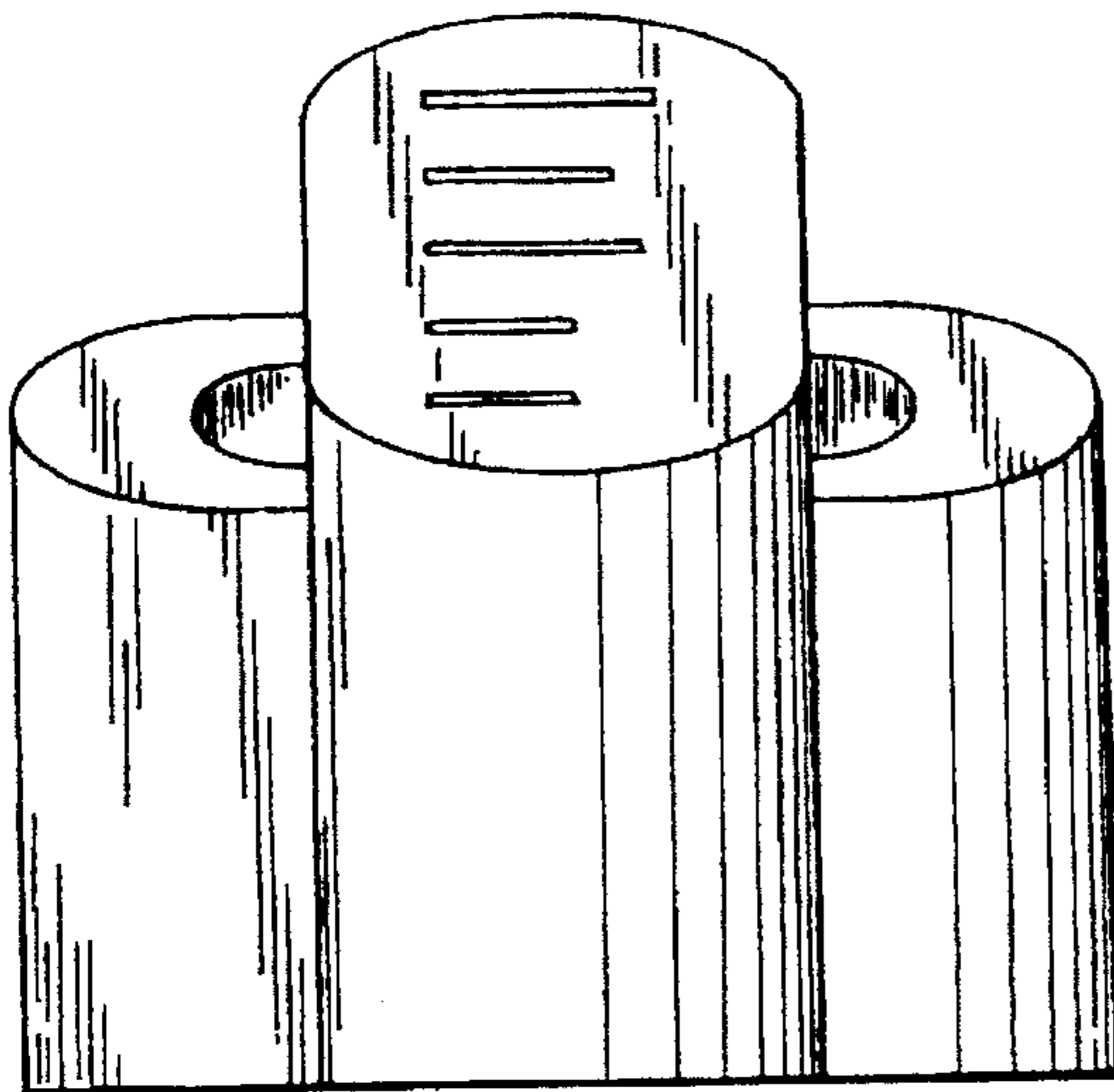
[57] CLAIM

The ornamental design for a storage block for knives, as shown and described.

DESCRIPTION

FIG. 1 is a left side elevational view of a storage block for knives showing our new design;
 FIG. 2 is a front elevational view thereof;
 FIG. 3 is a top plan view thereof;
 FIG. 4 is a perspective view thereof;
 FIG. 5 is a right side elevational view thereof;
 FIG. 6 is a rear elevational view thereof;
 FIG. 7 is a perspective view of a second embodiment of our new design of FIGS. 1-6;
 FIG. 8 is a front elevational view of FIG. 7;
 FIG. 9 is a right side elevational view of FIG. 7;
 FIG. 10 is a rear elevational view of FIG. 7;
 FIG. 11 is a left side elevational view of FIG. 7; and,
 FIG. 12 is a top plan view of FIG. 7.
 The undisclosed bottom views are unornamented.

1 Claim, 4 Drawing Sheets



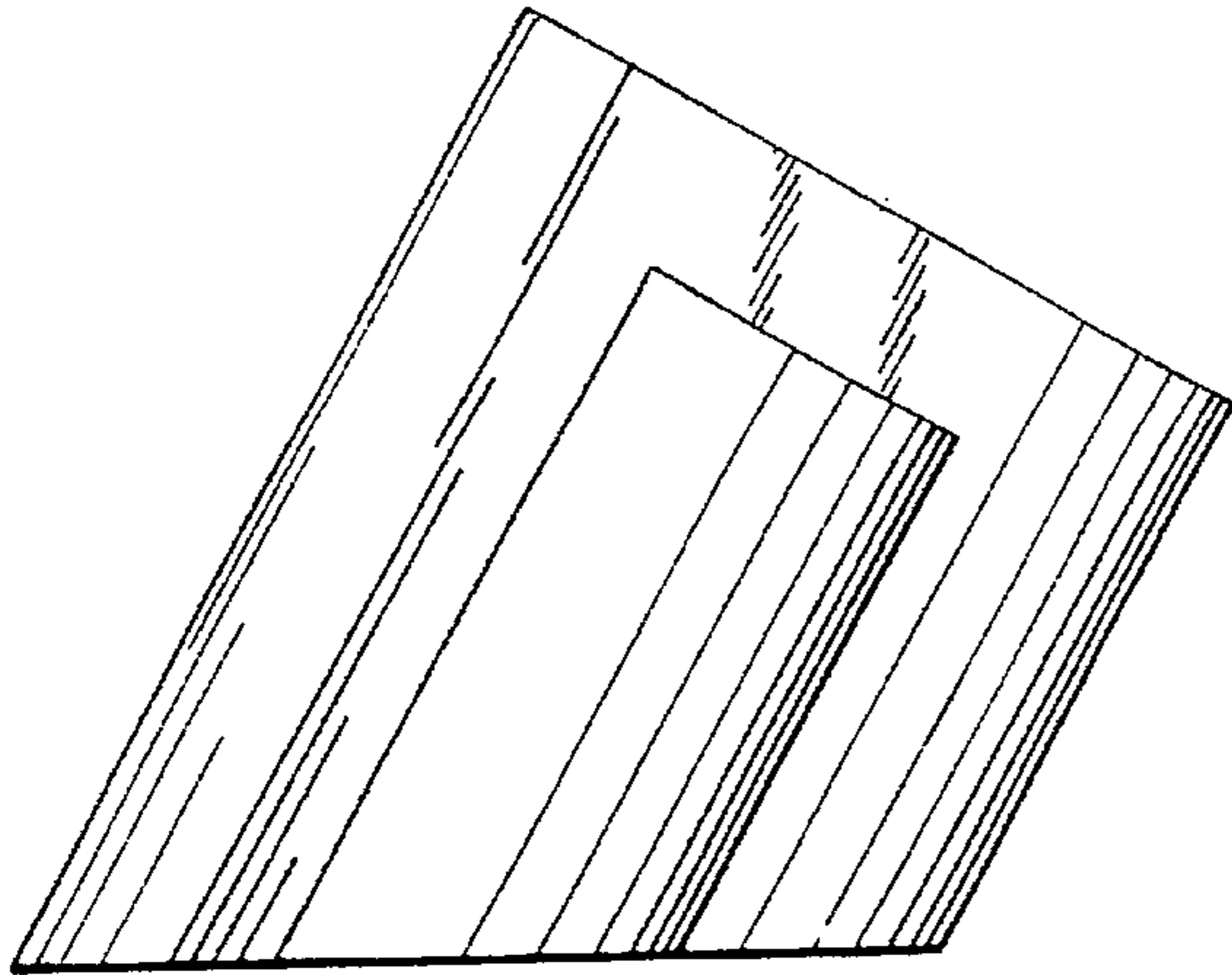


FIG. 1

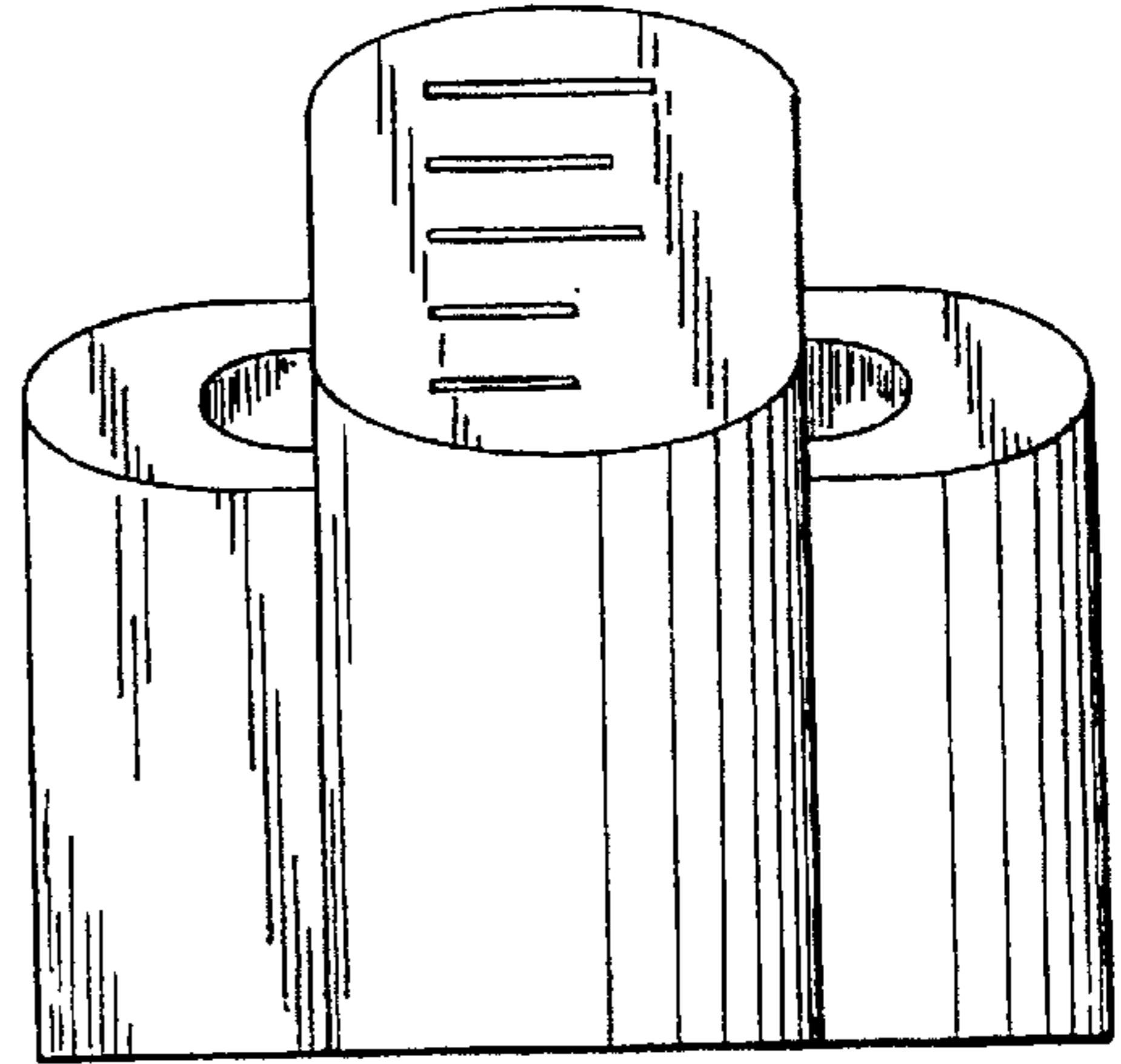


FIG. 2

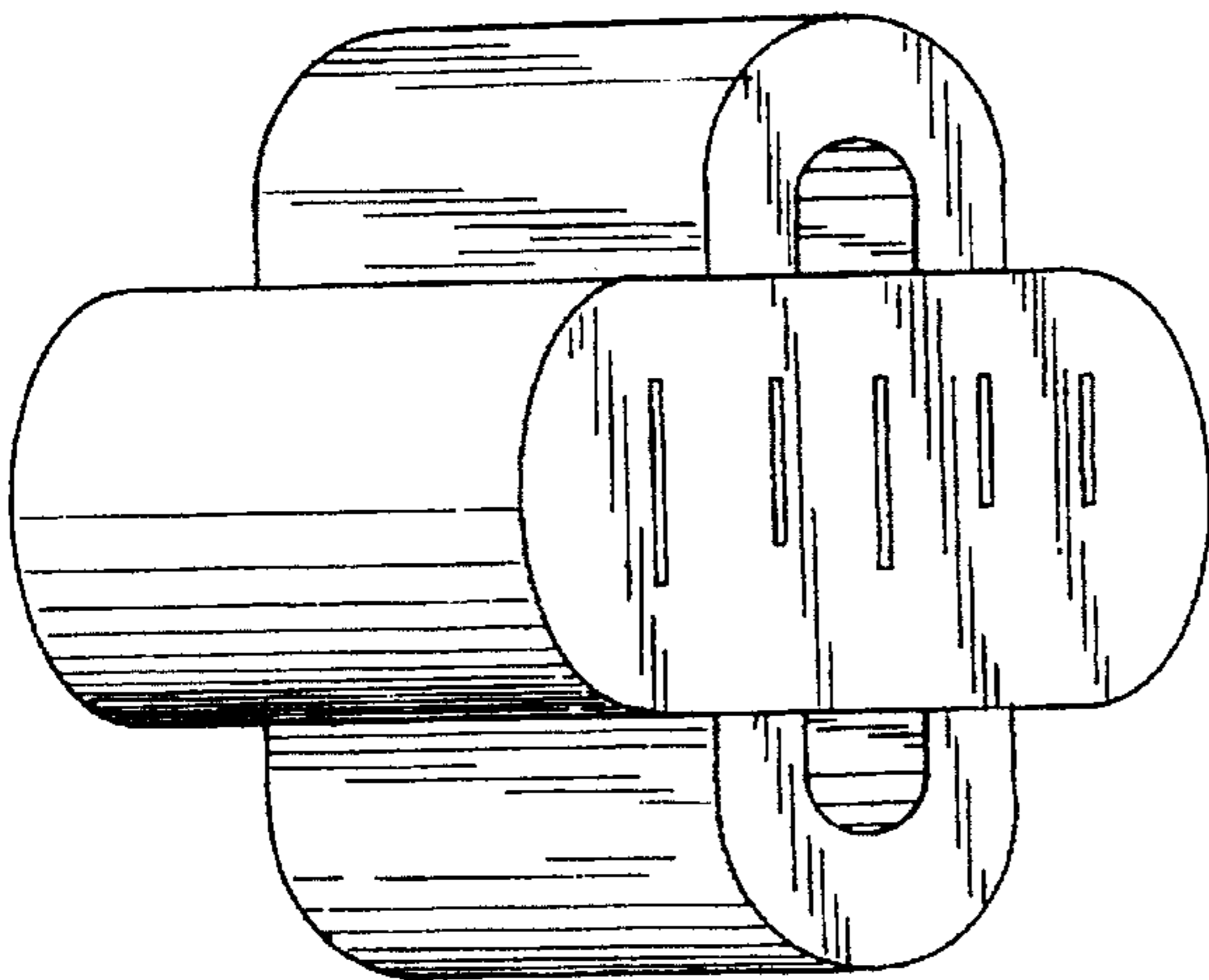


FIG. 3

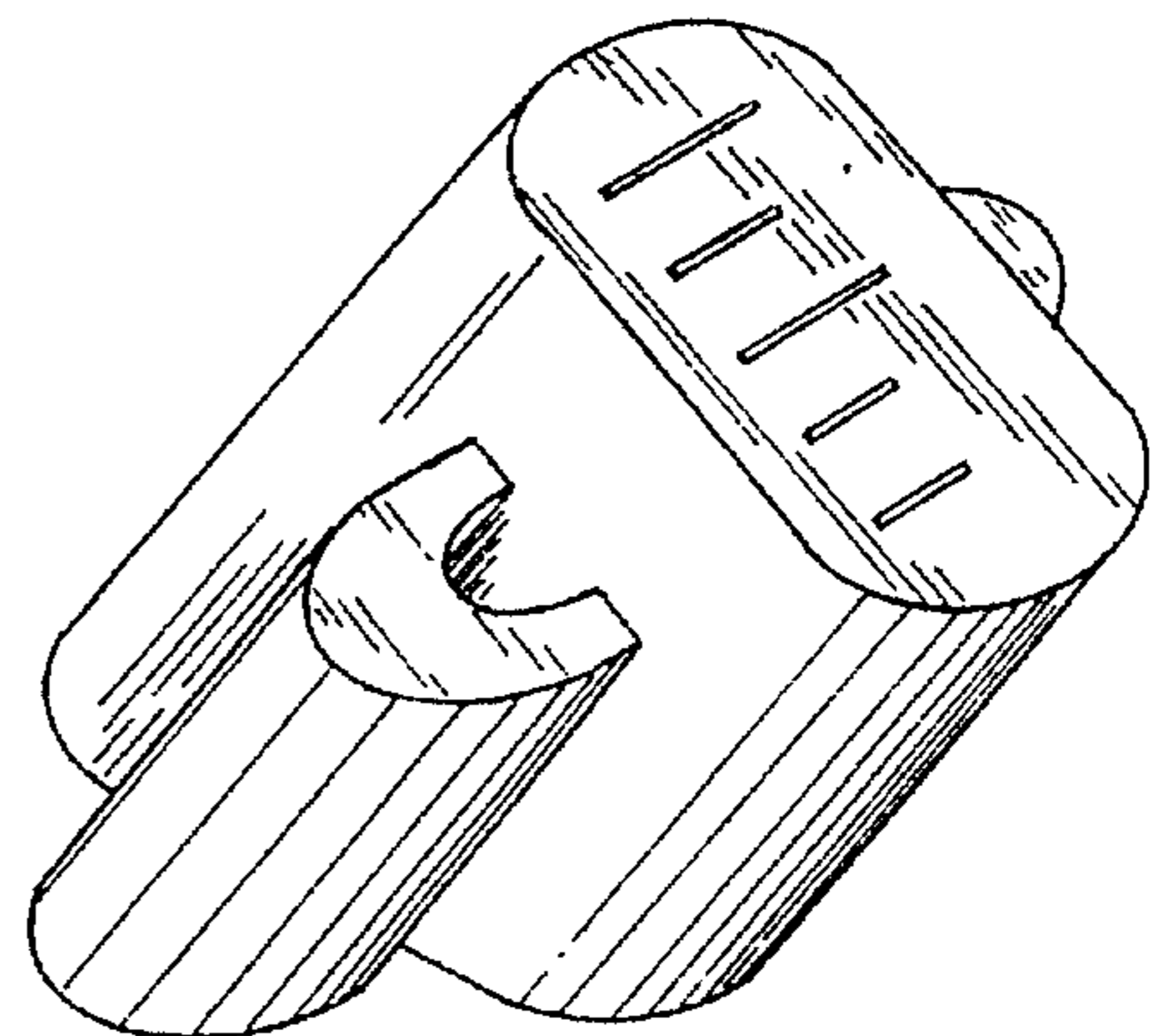


FIG. 4

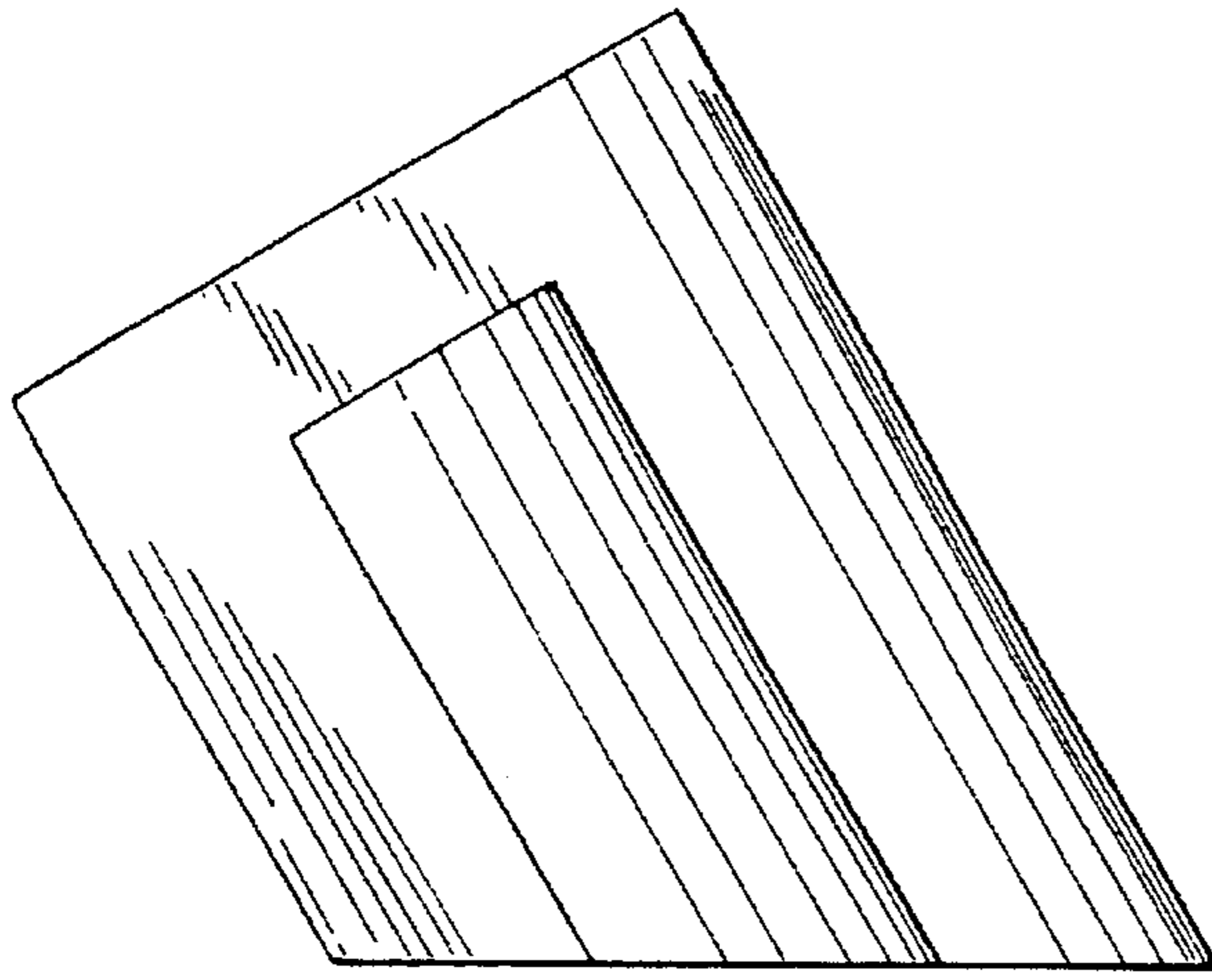


FIG. 5

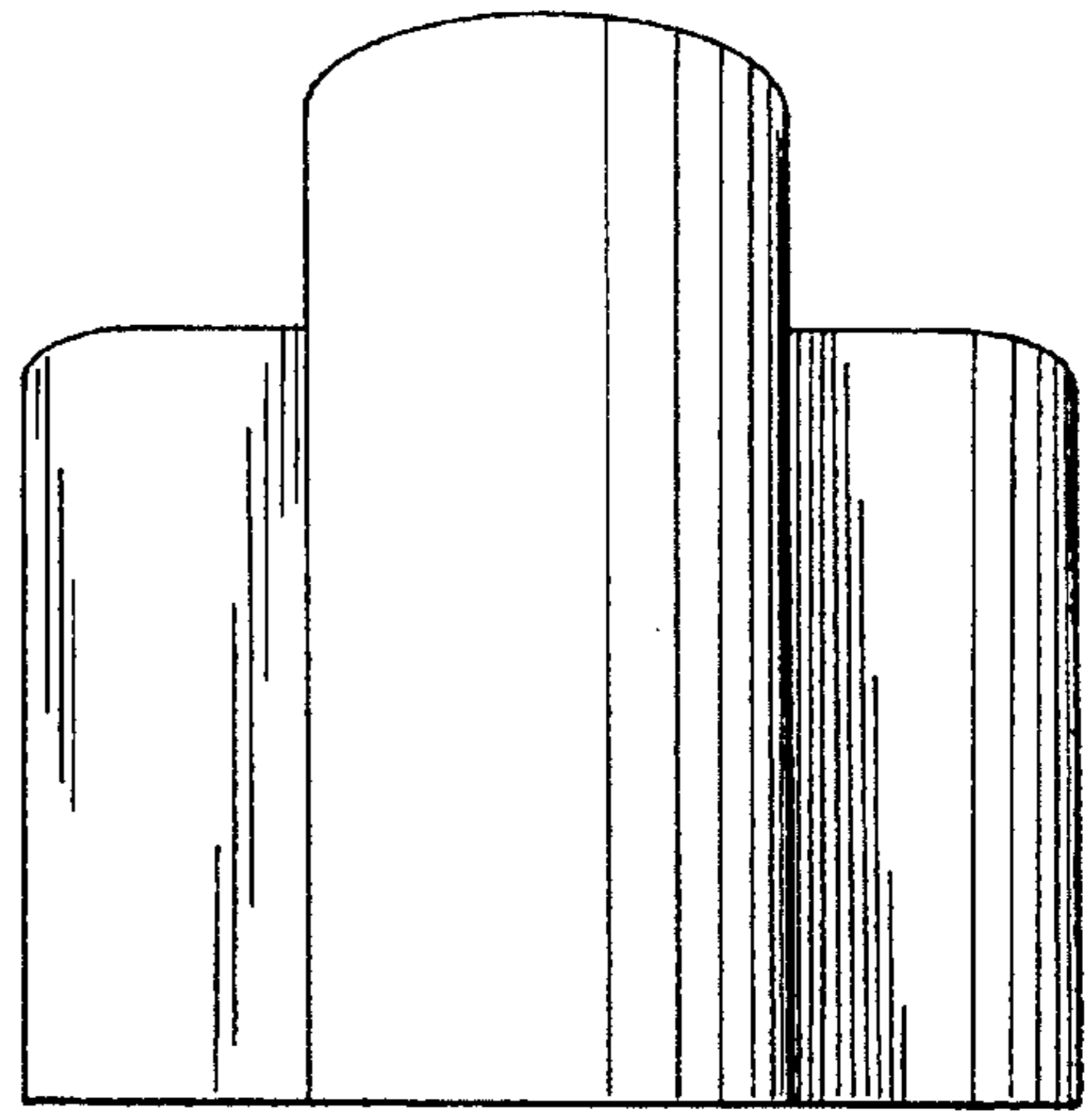


FIG. 6

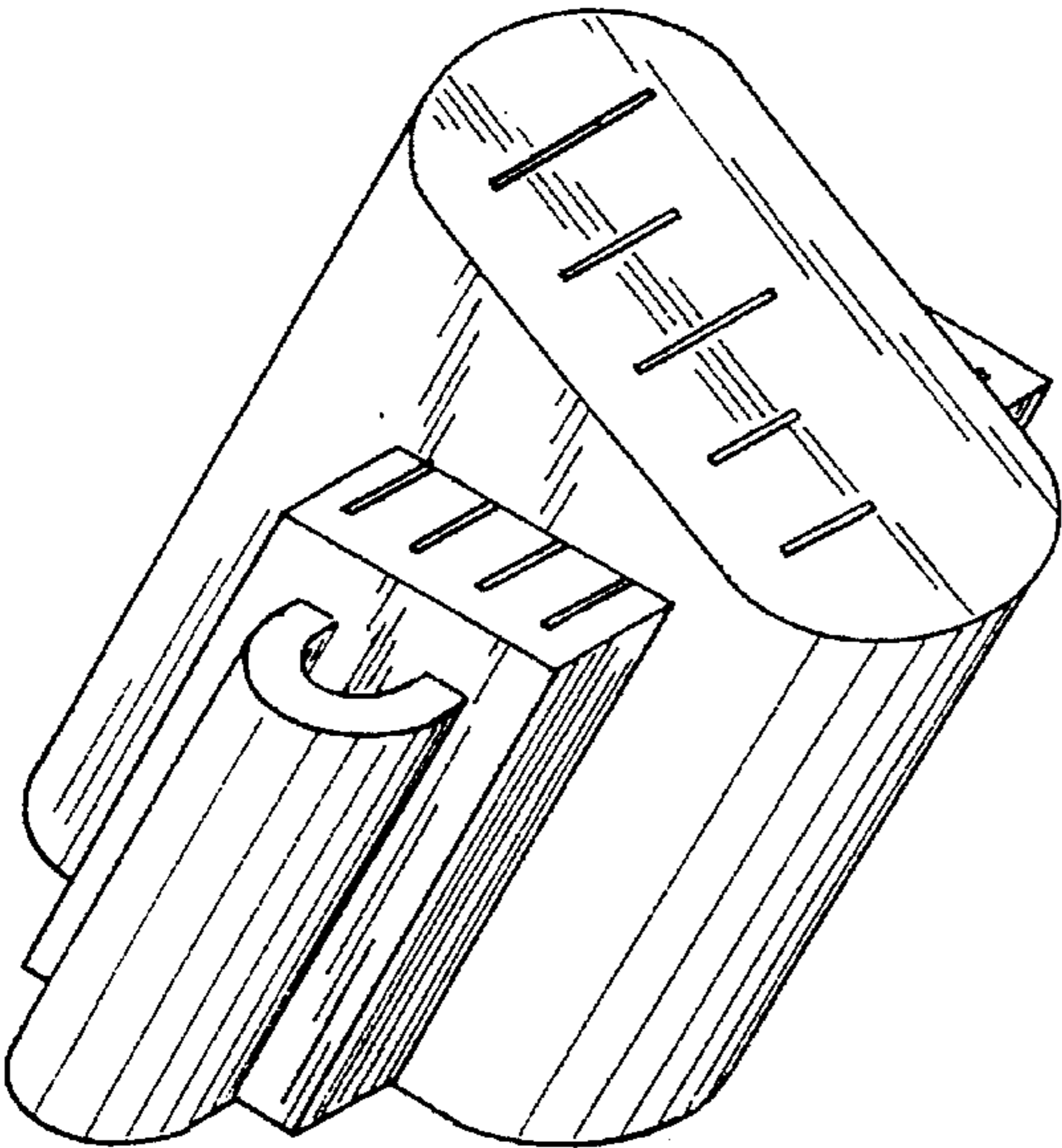


FIG. 7

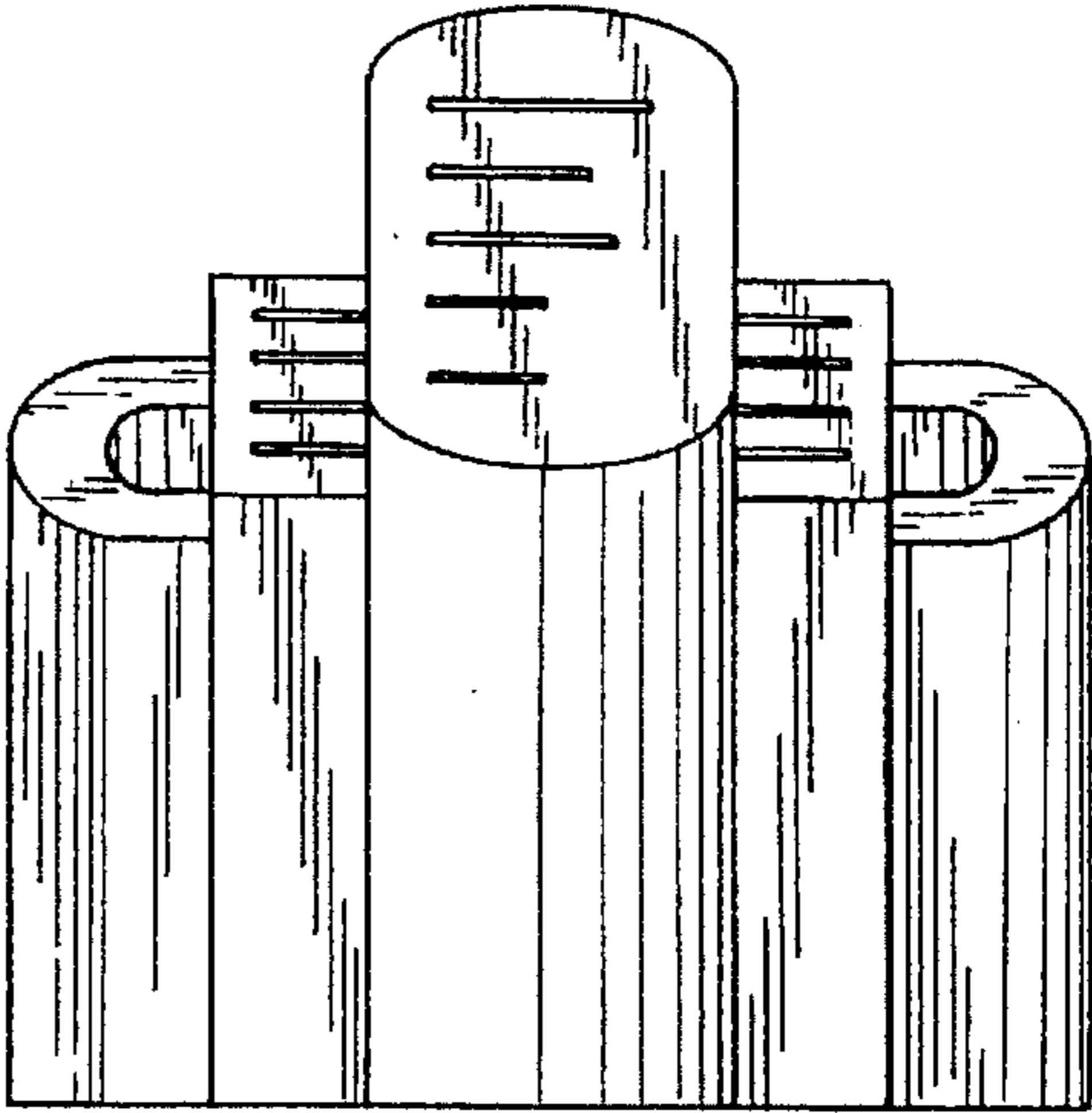


FIG. 8

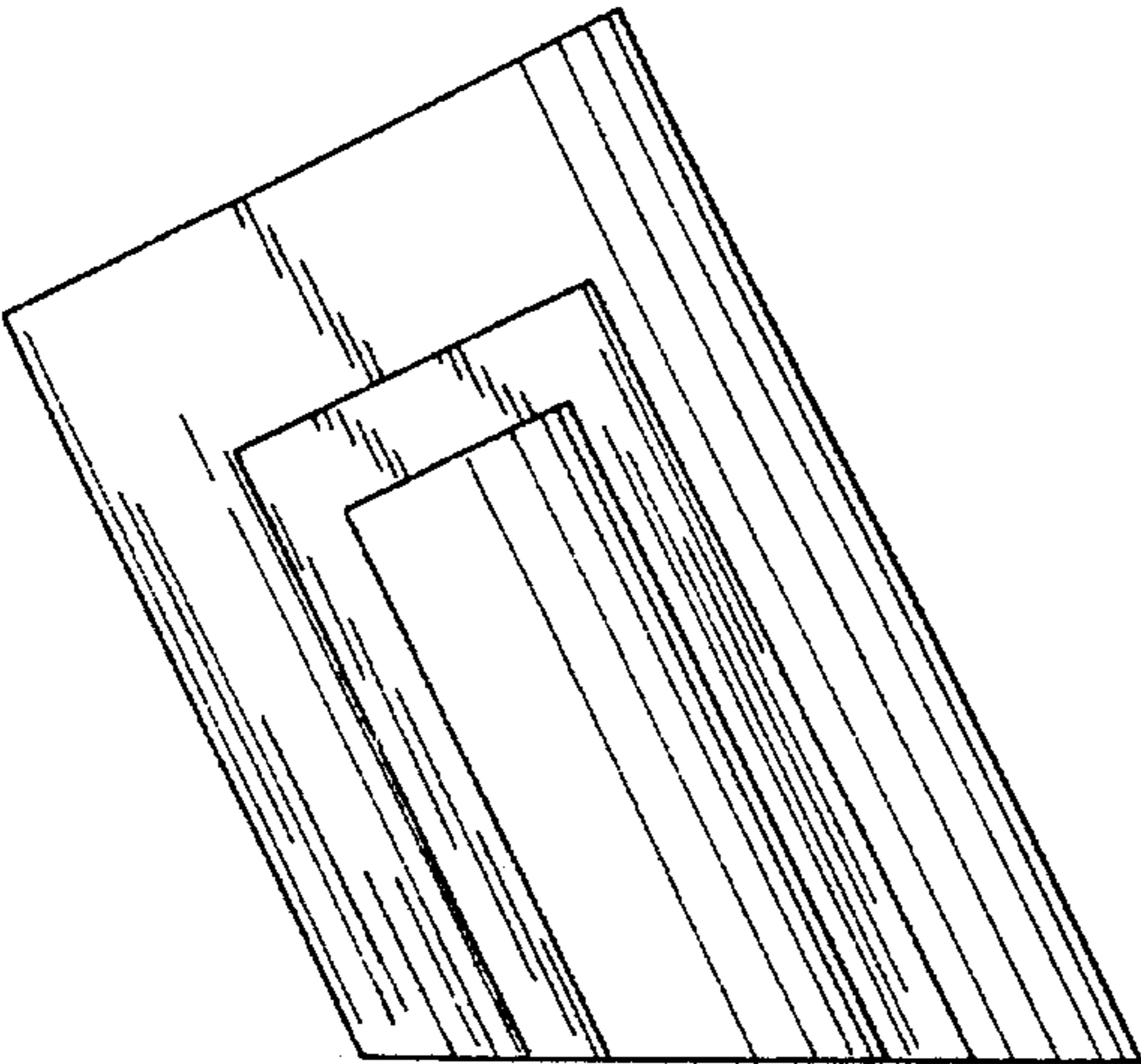


FIG. 9

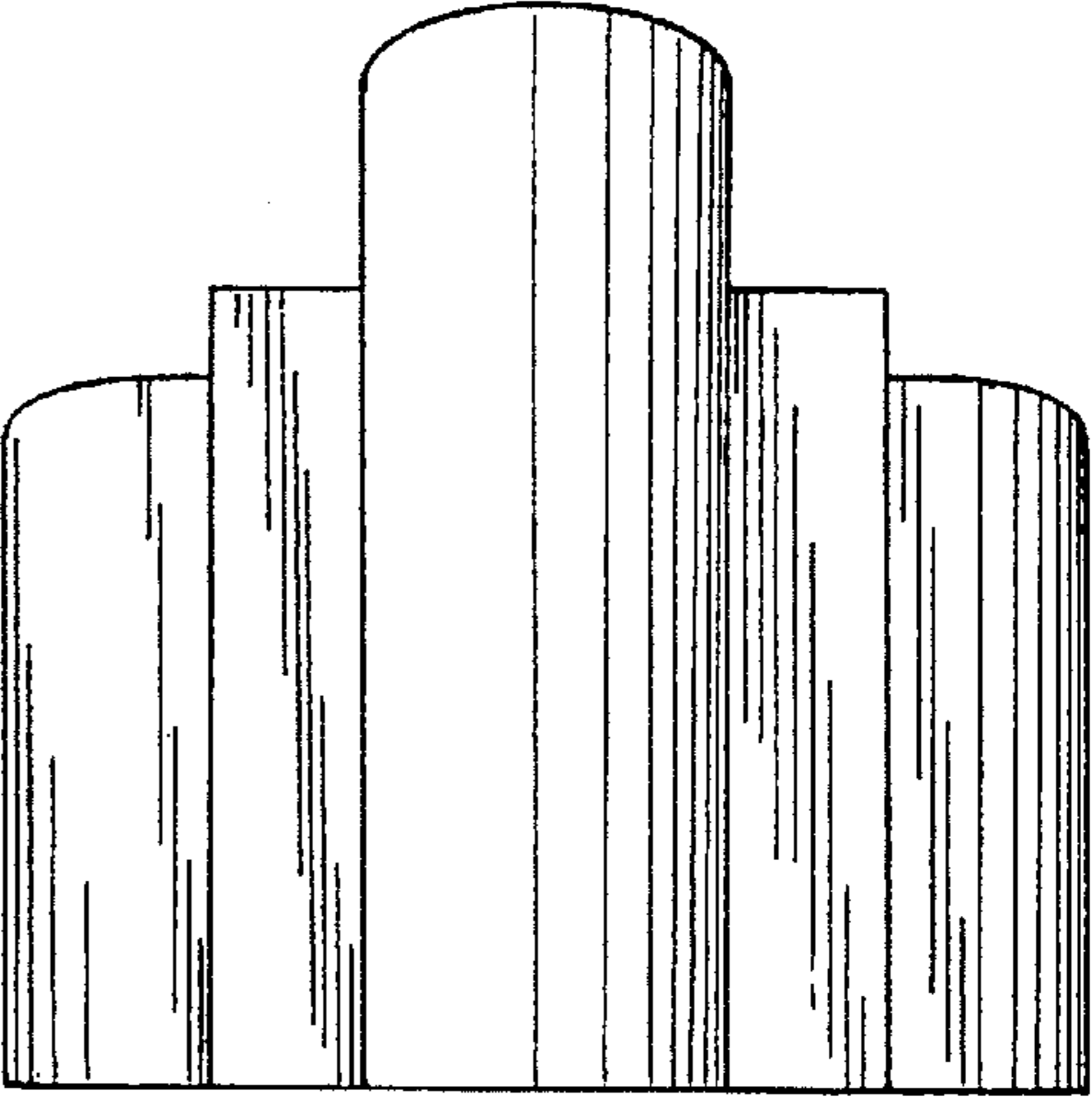


FIG. 10

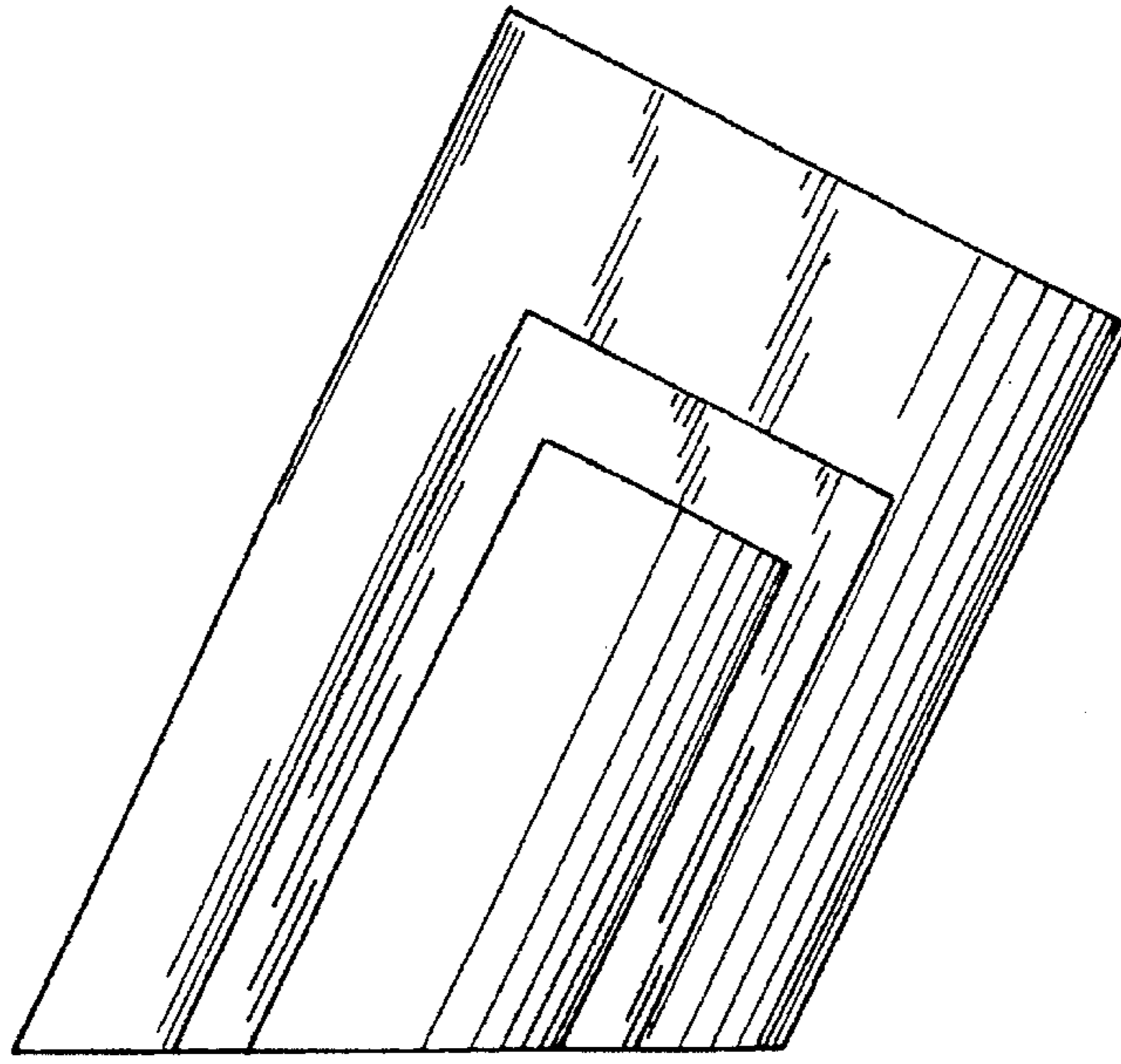


FIG. 11

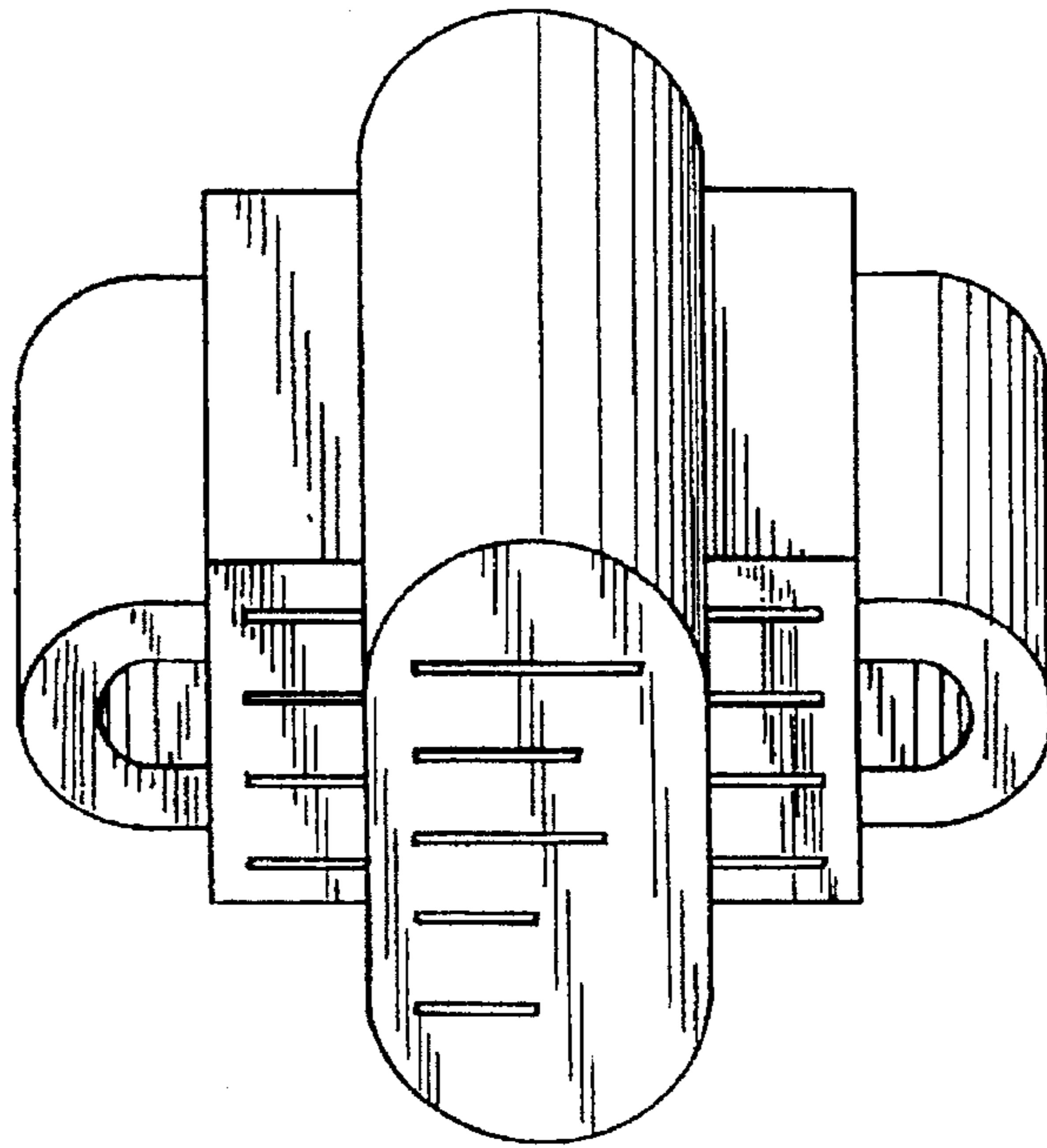


FIG. 12