



US00D382771S

United States Patent [19] Mogil

[11] Patent Number: Des. 382,771
[45] Date of Patent: **Aug. 26, 1997

[54] PORTABLE COOLER CONTAINER

[75] Inventor: **Melvin S. Mogil**, Toronto, Canada

[73] Assignee: **California Innovations Inc.**,
Willowdale, Canada

[**] Term: **14 Years**

[21] Appl. No.: **55,439**

[22] Filed: **Jun. 5, 1996**

[51] LOC (6) Cl. **07-07**

[52] U.S. Cl. **D7/607**

[58] Field of Search D7/605-607; D3/201,
D3/273, 276, 283, 268, 301; 62/457.1,
457.7, 371; 150/107, 118, 119; 206/545,
549, 541, 548; 220/410, 412; 383/2, 14,
17, 18, 95, 97, 109, 110, 113

[56] References Cited

U.S. PATENT DOCUMENTS

D. 328,550	8/1992	Mogil et al.	D7/605
D. 340,387	10/1993	Melk	D7/607
D. 340,621	10/1993	Melk	D7/607
D. 340,840	11/1993	Melk	D7/607
5,354,131	10/1994	Mogil	383/110 X
5,403,095	4/1995	Melk	383/110
5,472,279	12/1995	Lin	383/110 X
5,526,907	6/1996	Trawick et al.	383/110 X

Primary Examiner—Terry A. Wallace

Attorney, Agent, or Firm—Nikaido, Marmelstein, Murray &
Oram LLP

[57] CLAIM

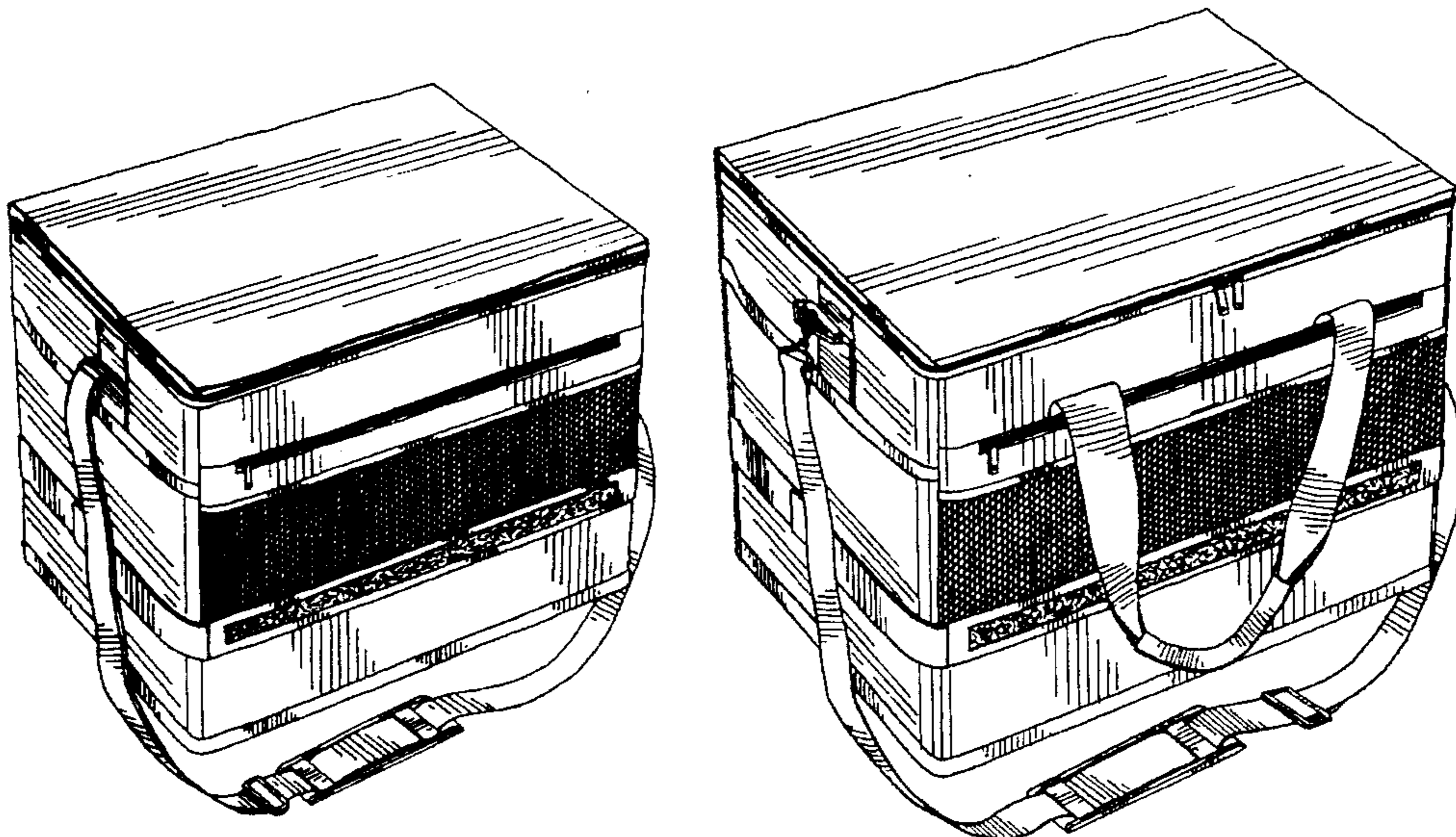
The ornamental design for a portable cooler container, as shown and described.

DESCRIPTION

FIG. 1 is a top perspective view of a portable cooler container showing my new design;

FIG. 2 is a front elevation view thereof;
 FIG. 3 is a rear elevation view thereof;
 FIG. 4 is a left side elevation view thereof;
 FIG. 5 is a right side elevation view thereof;
 FIG. 6 is a top plan view thereof;
 FIG. 7 is a bottom plan view thereof;
 FIG. 8 is a top perspective view thereof in an alternate position;
 FIG. 9 is a front elevation view of FIG. 8;
 FIG. 10 is a left side elevation view of FIG. 8;
 FIG. 11 is a right side elevation view of FIG. 8;
 FIG. 12 is a rear elevation view of FIG. 8;
 FIG. 13 is a bottom plan view of FIG. 8;
 FIG. 14 is a top plan view of FIG. 8;
 FIG. 15 is a perspective view thereof in an alternate position; and
 FIG. 16 is a right side elevation view of FIG. 15;
 FIG. 17 is a top perspective view of an alternate embodiment of FIG. 1;
 FIG. 18 is a front elevation view of FIG. 17;
 FIG. 19 is a rear elevation view of FIG. 17;
 FIG. 20 is a left side elevation view FIG. 17;
 FIG. 21 is a left side elevation view of FIG. 17;
 FIG. 22 is a top plan view of FIG. 17;
 FIG. 23 is a bottom plan view of FIG. 17;
 FIG. 24 is a top perspective view of FIG. 17 in an alternate position;
 FIG. 25 is a front elevation view of FIG. 24;
 FIG. 26 is a left side elevation view of FIG. 24;
 FIG. 27 is a right side elevation view of FIG. 24;
 FIG. 28 is a rear elevation view of FIG. 24;
 FIG. 29 is a bottom plan view of FIG. 24;
 FIG. 30 is a top plan view of FIG. 24;
 FIG. 31 is a perspective view of FIG. 17 in an alternate position; and,
 FIG. 32 is a right side elevation view of FIG. 31.

1 Claim, 12 Drawing Sheets



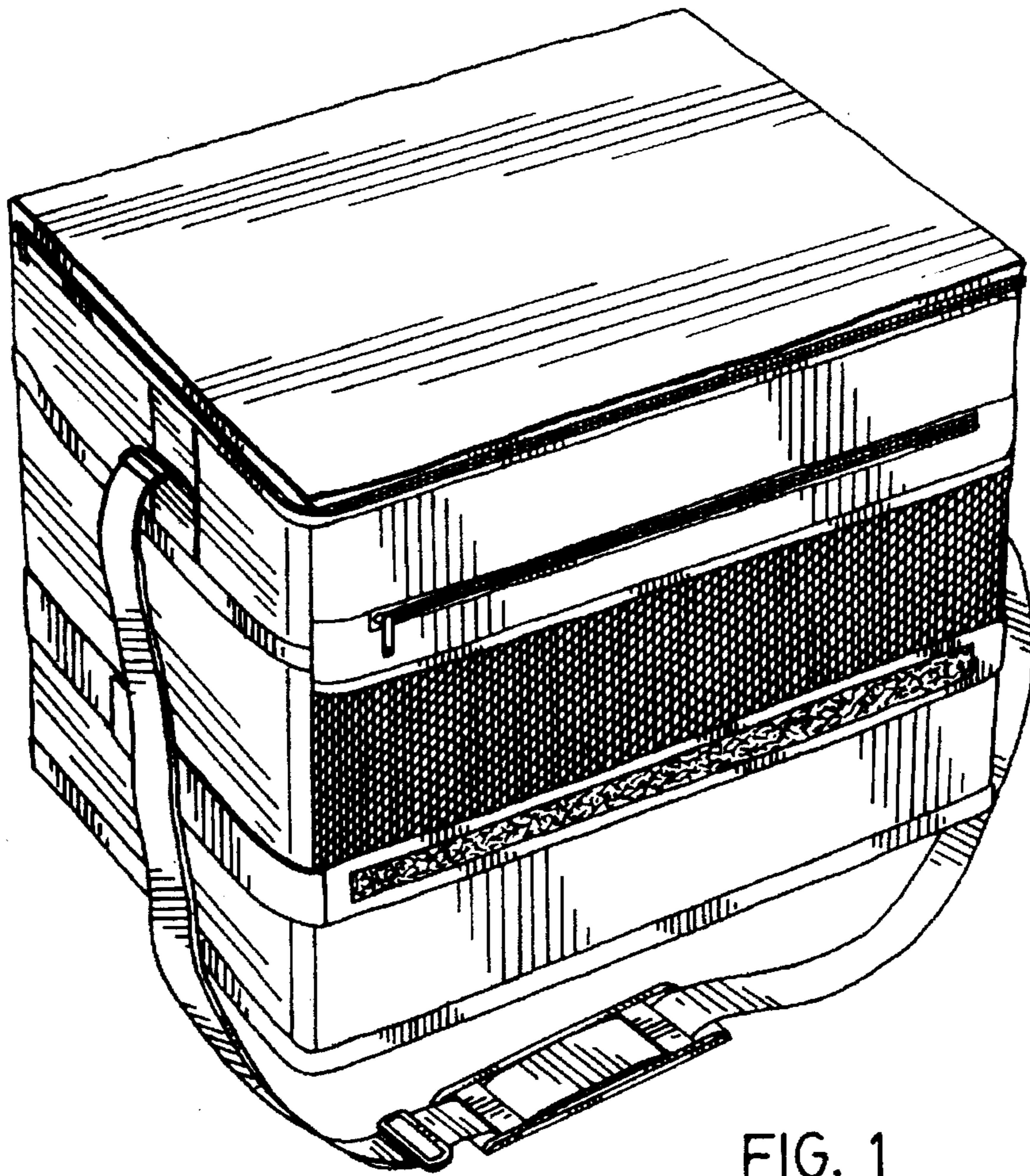


FIG. 1

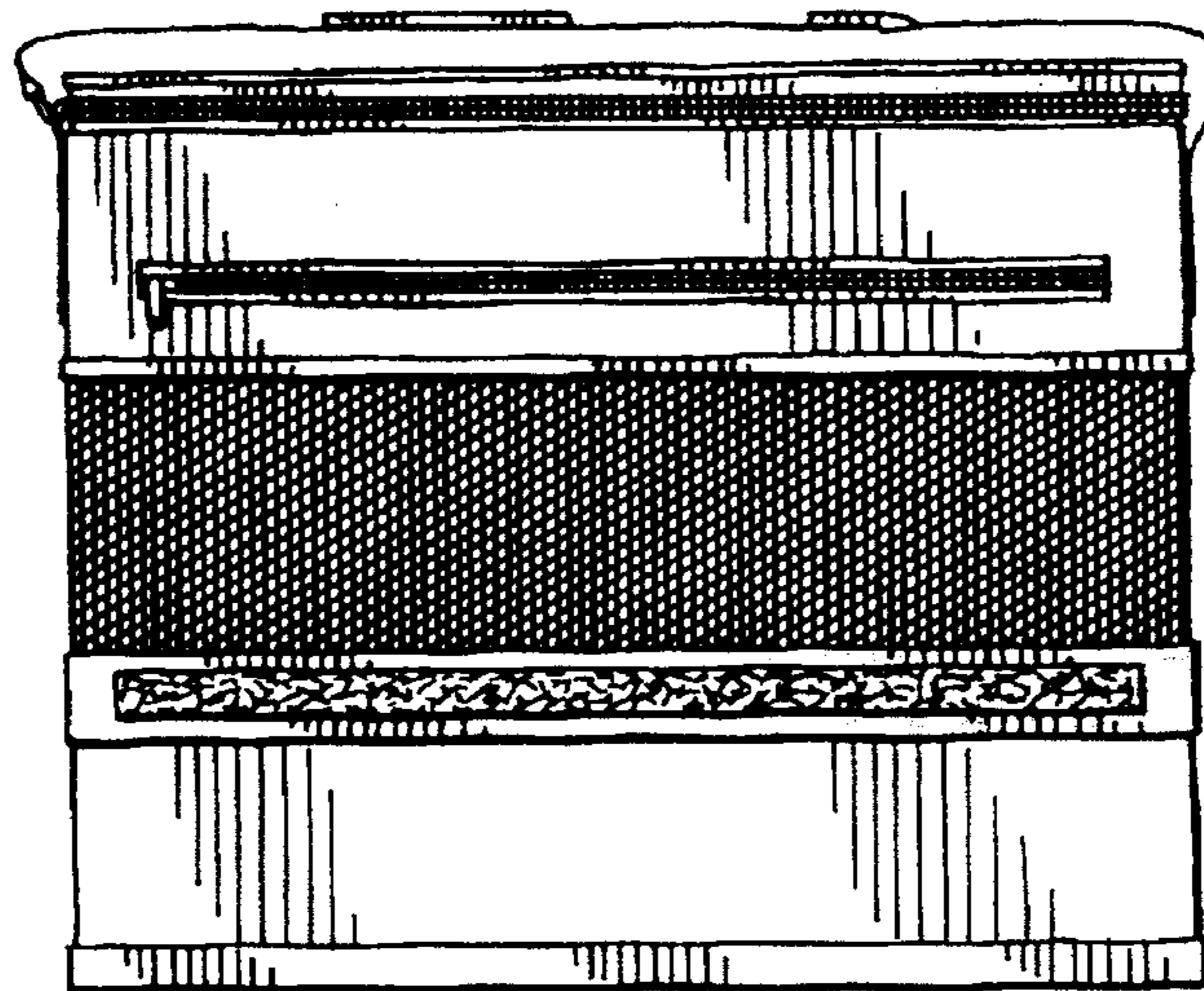


FIG. 2

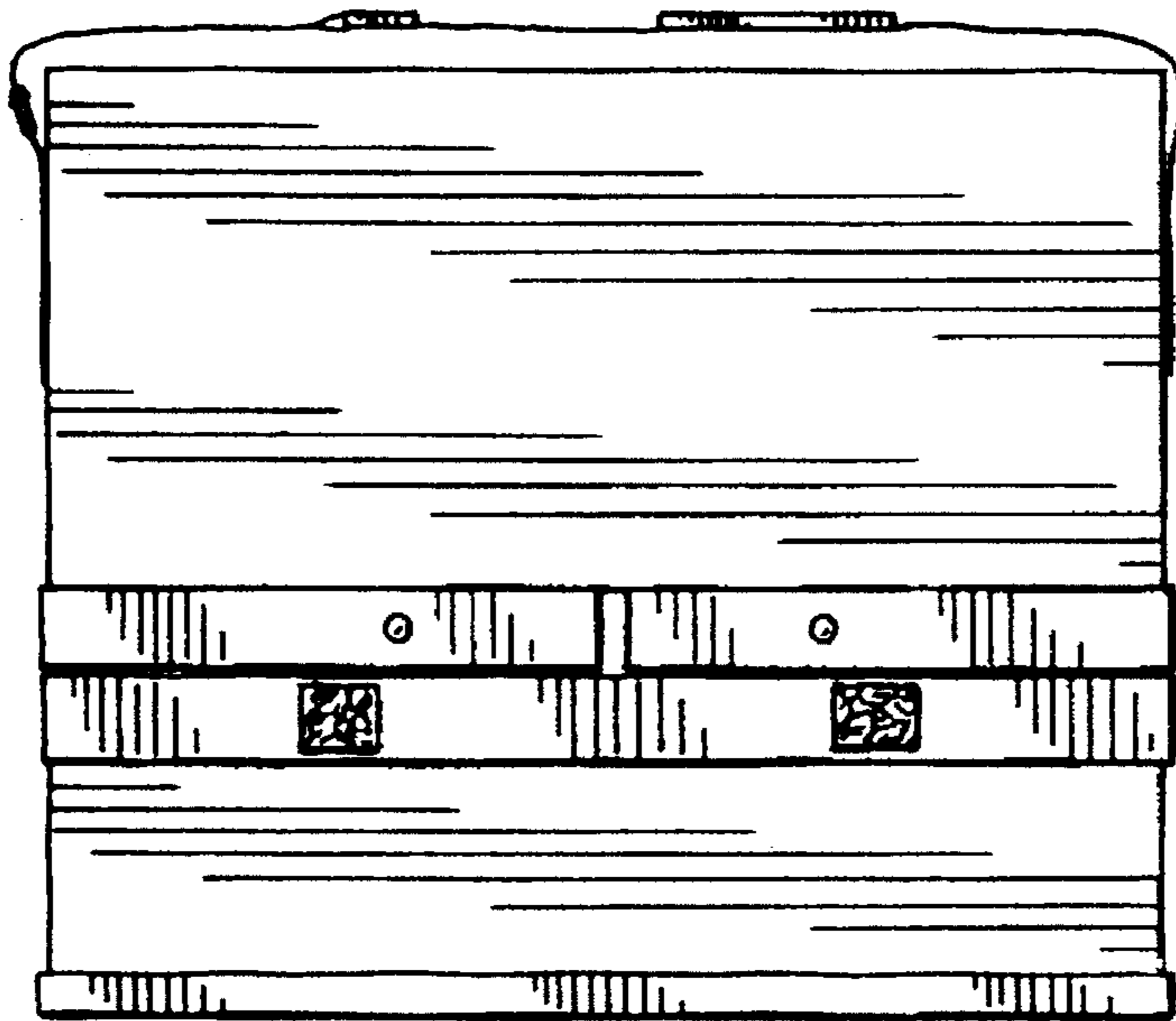


FIG. 3

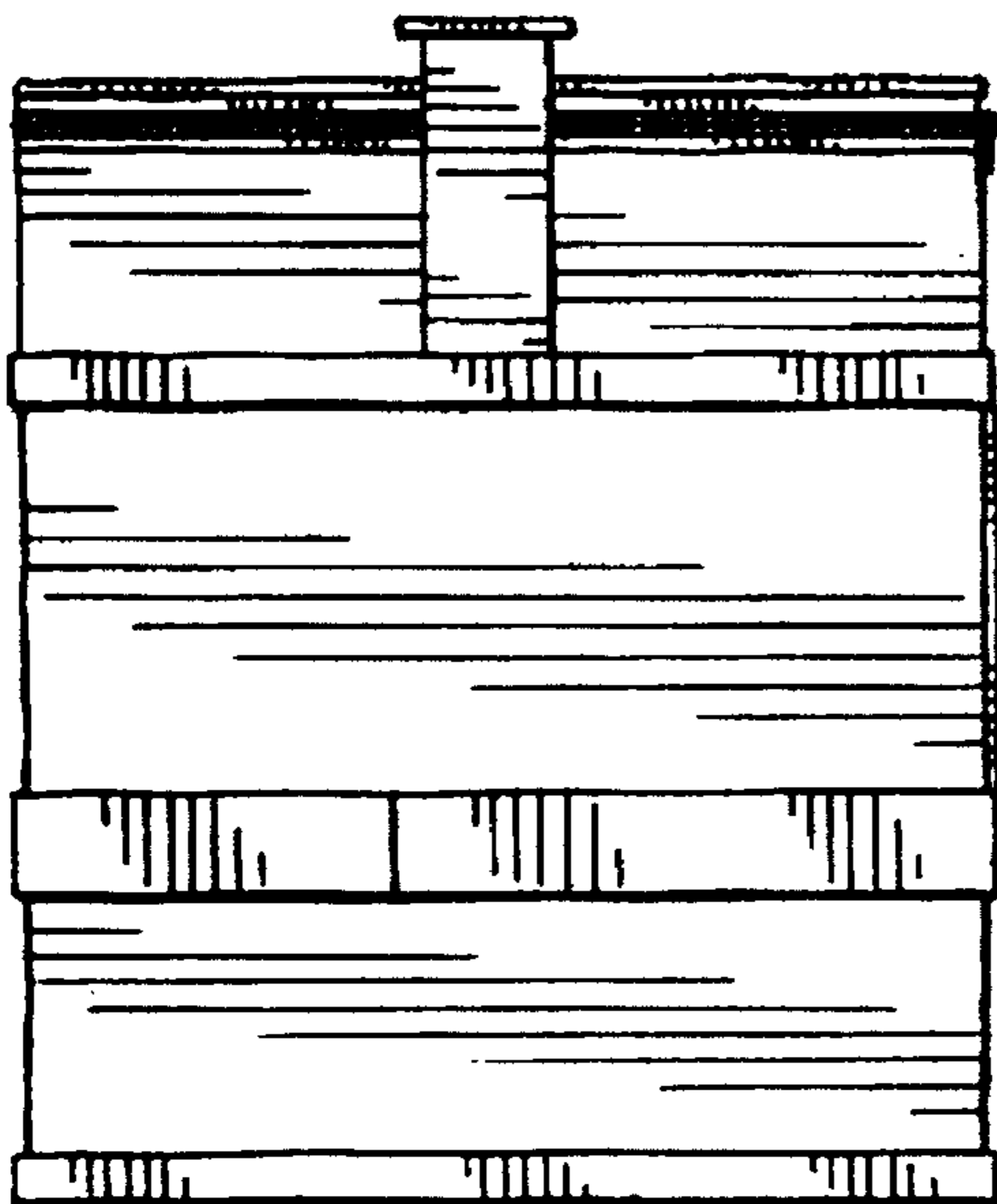


FIG. 4

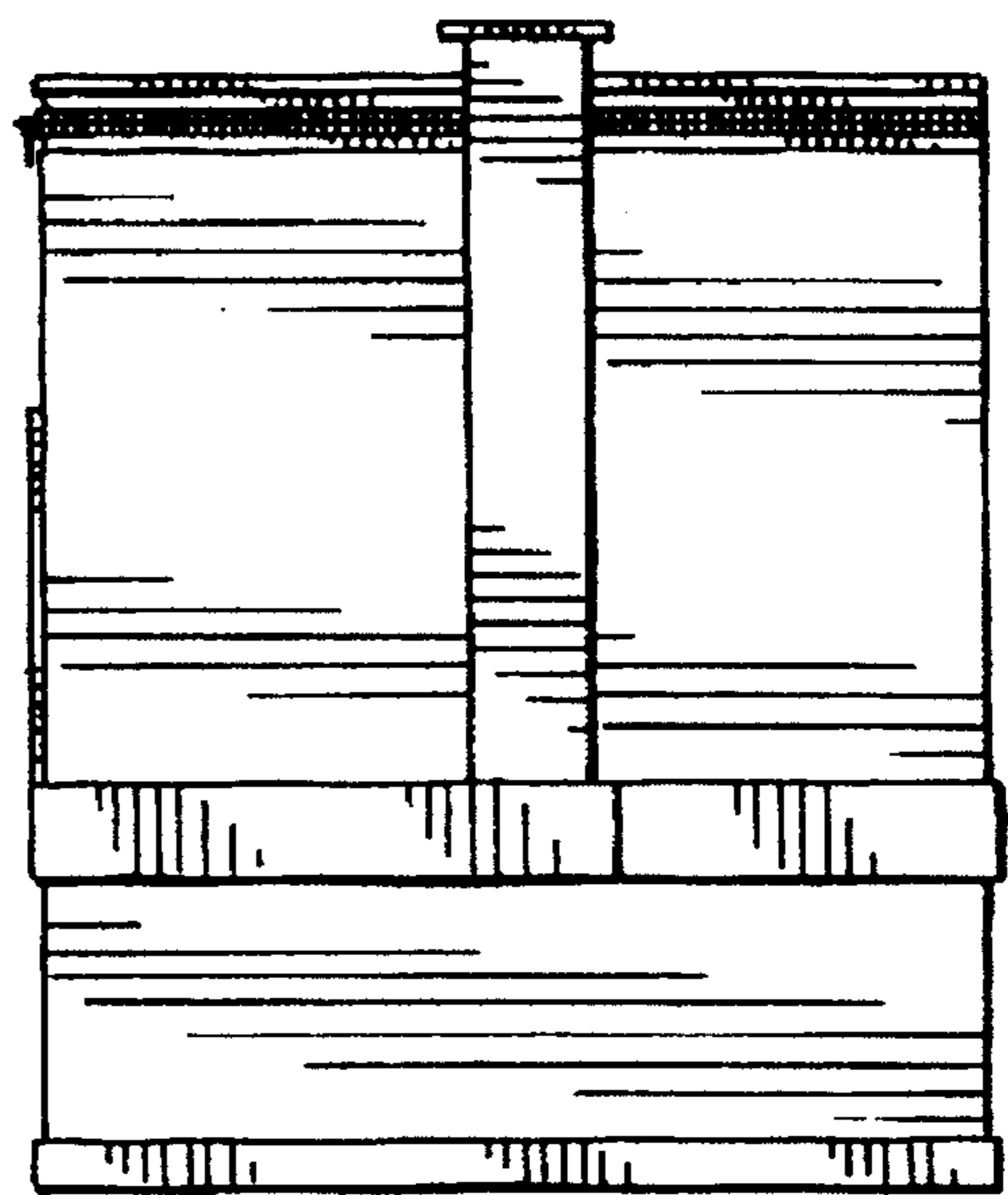


FIG. 5

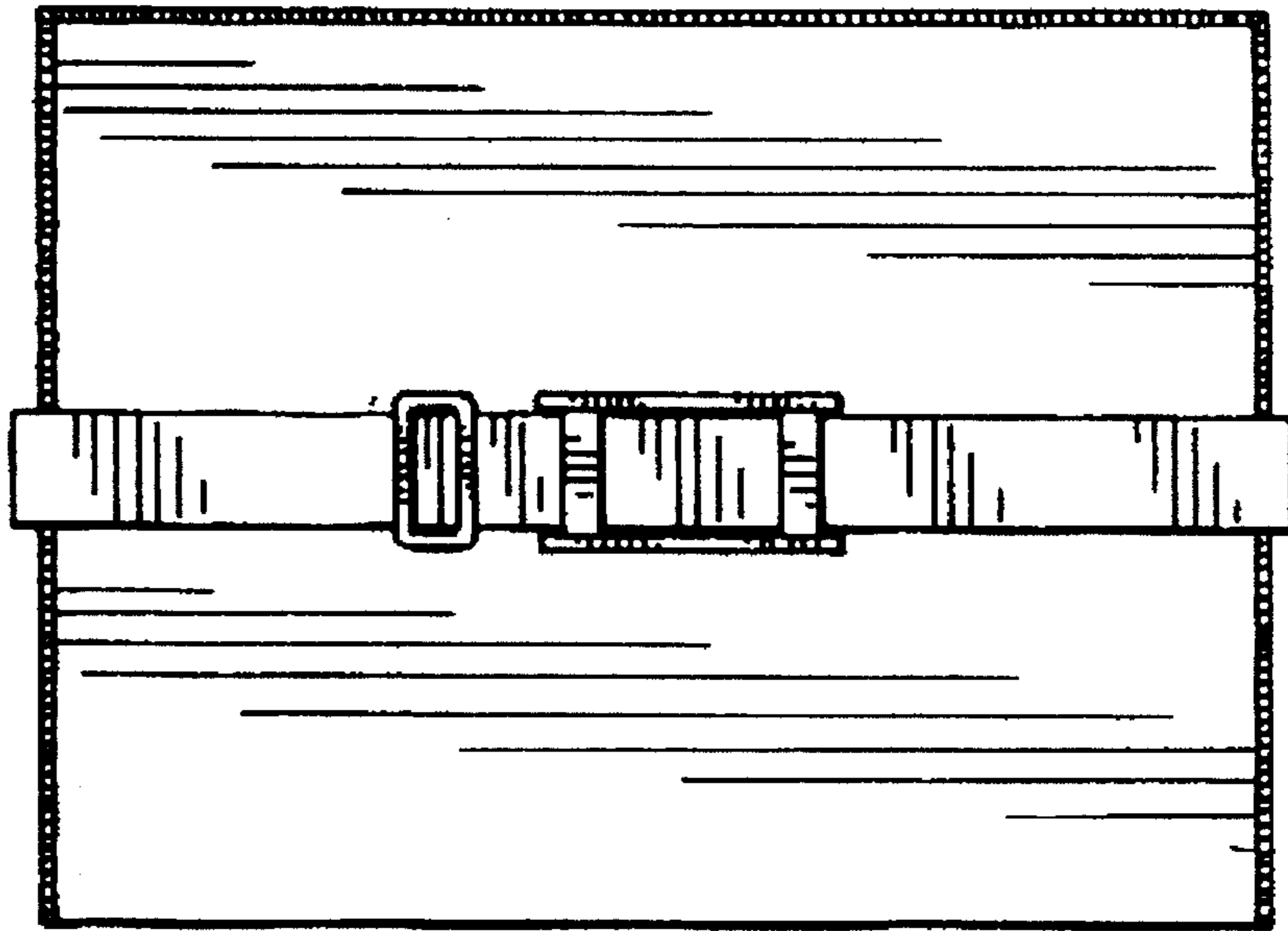


FIG. 6

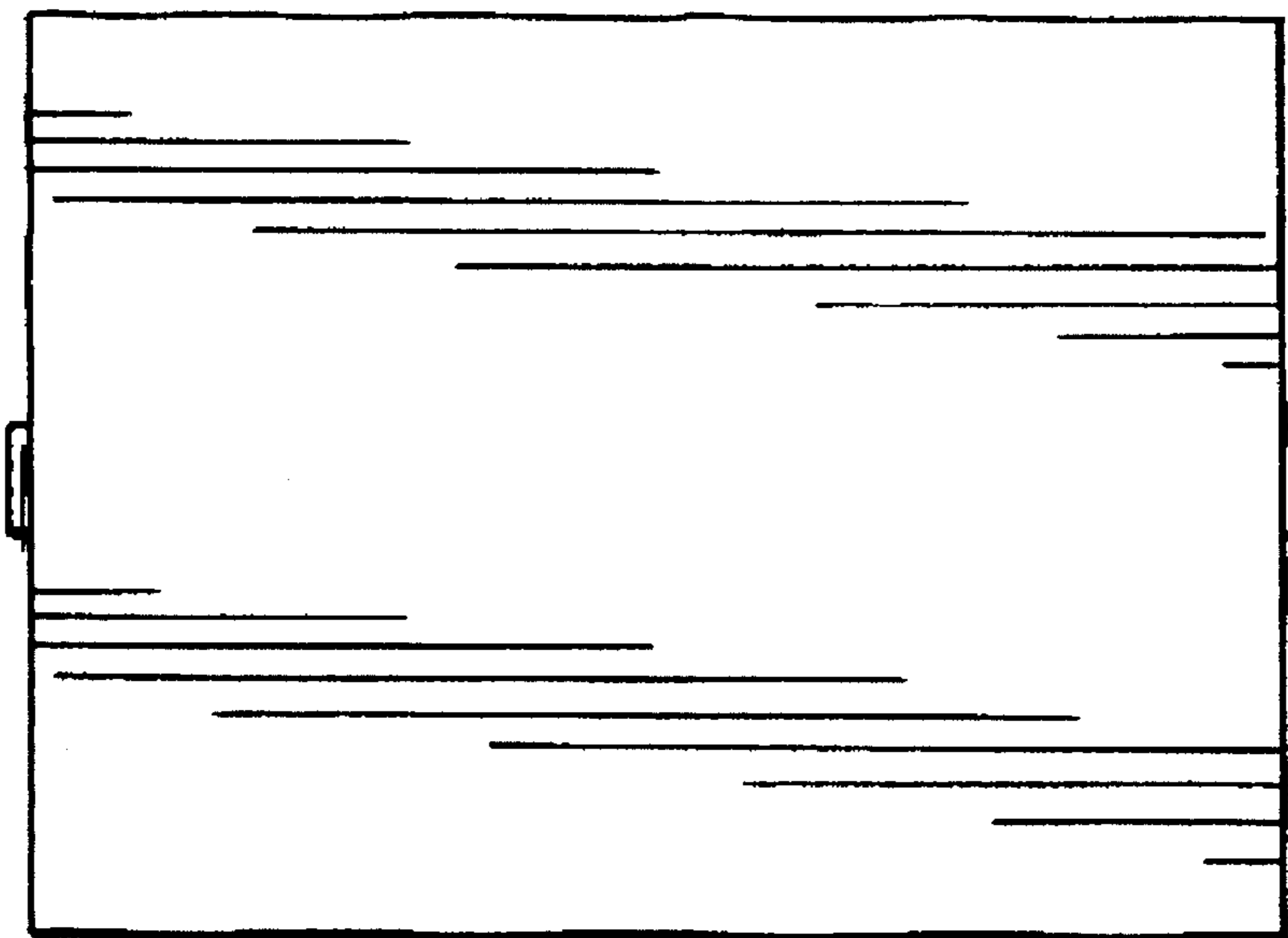


FIG. 7

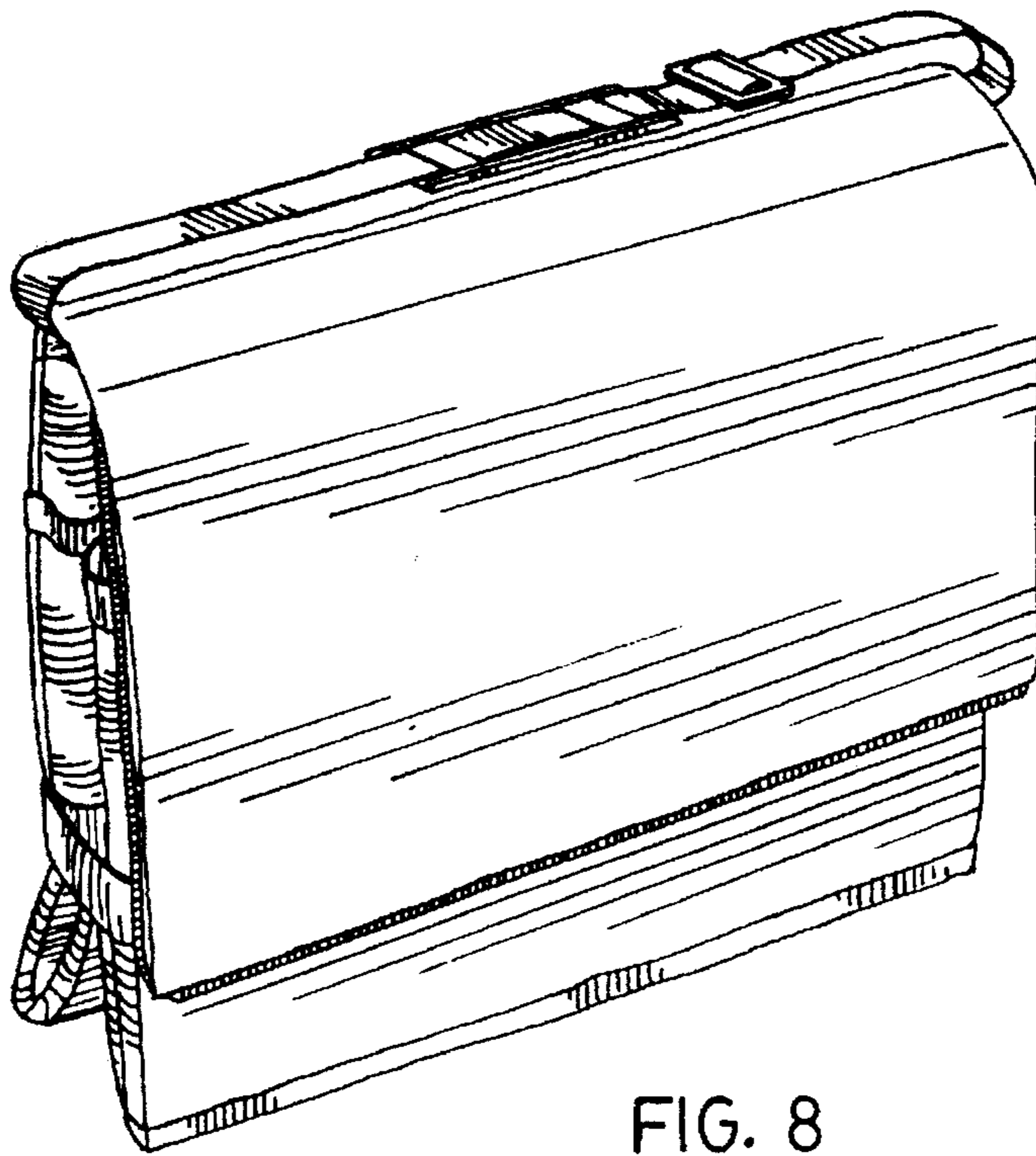


FIG. 8

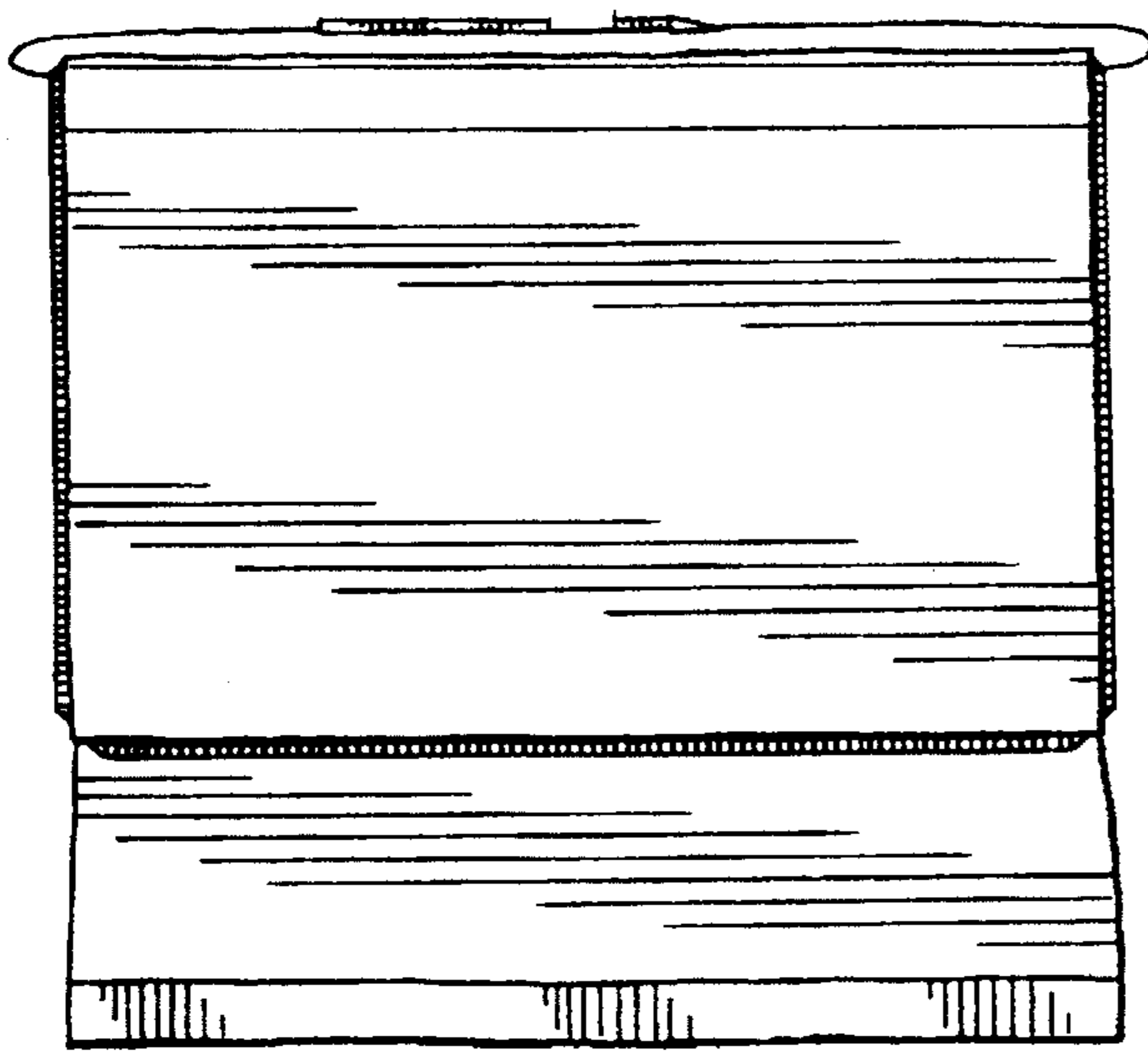


FIG. 9

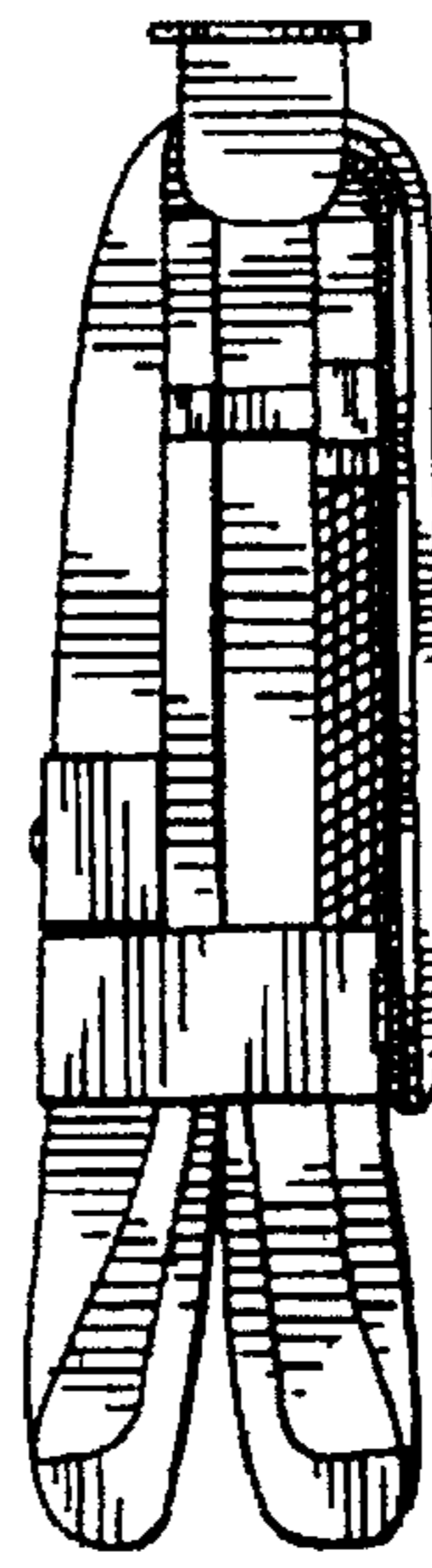


FIG. 10

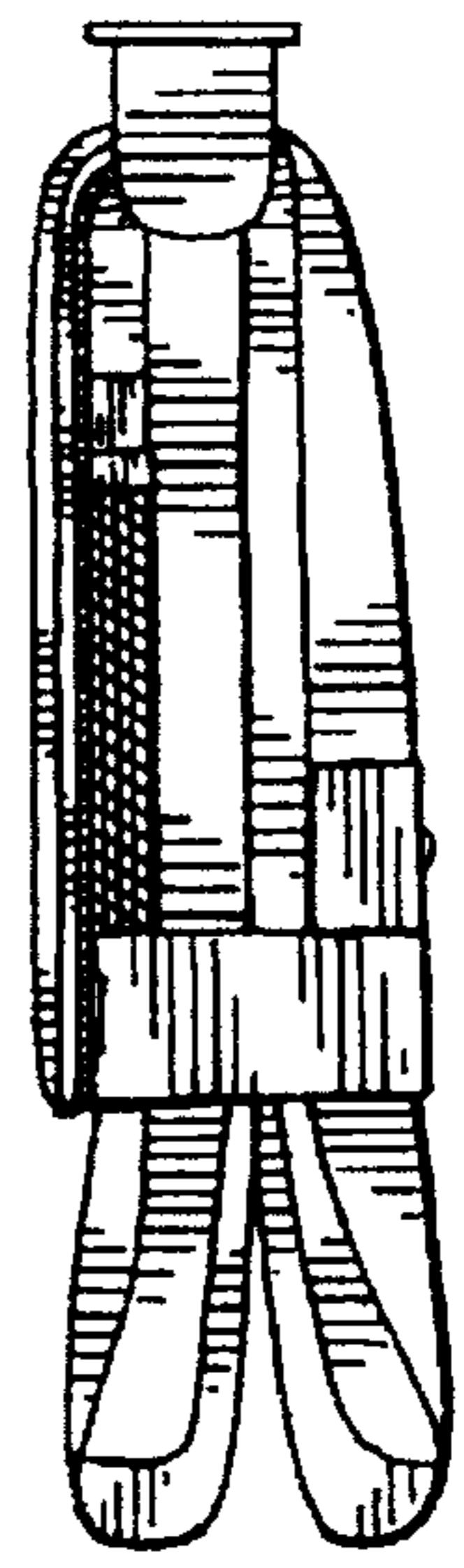


FIG. 11

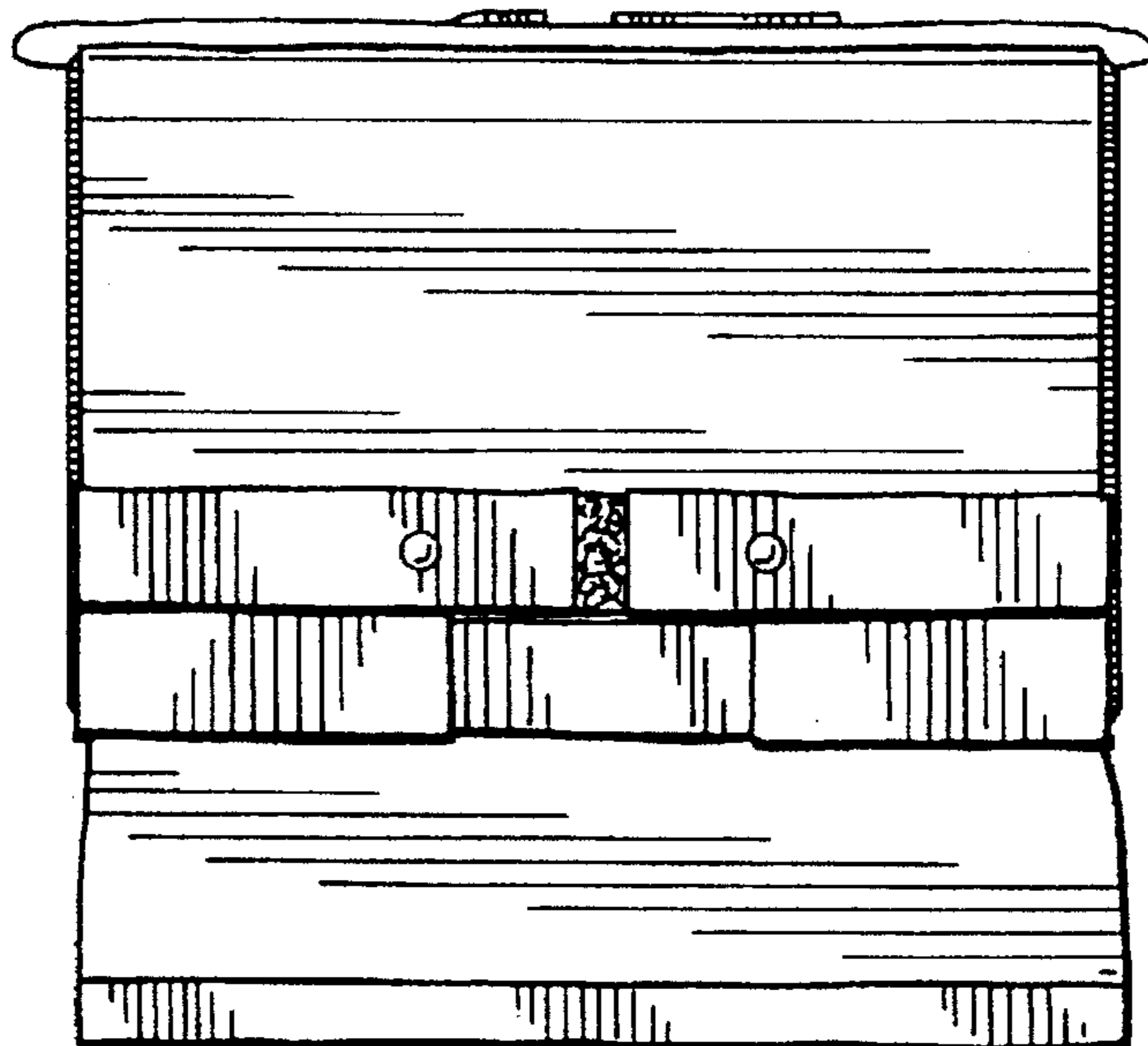


FIG. 12

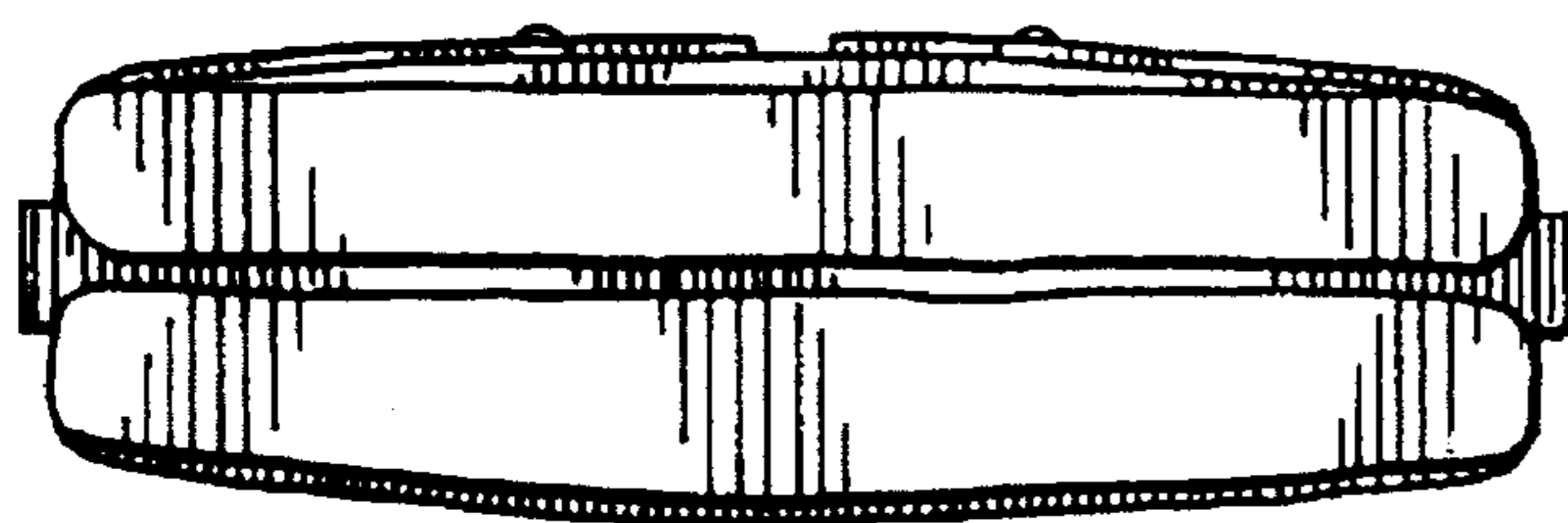


FIG. 13

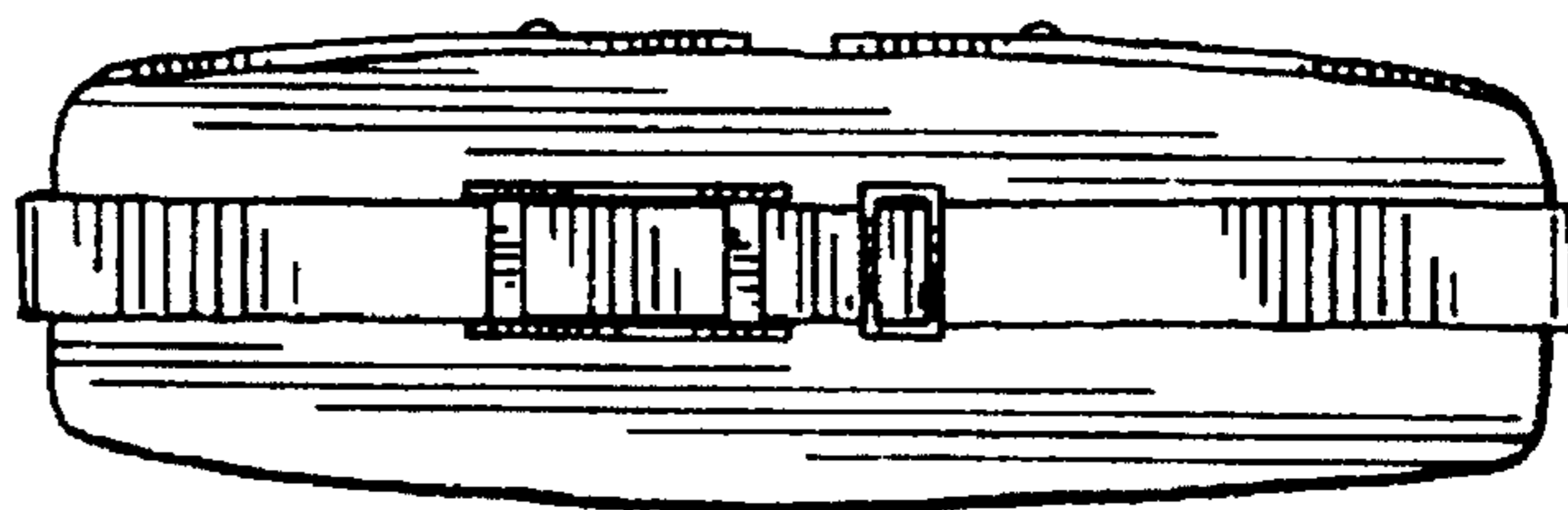


FIG. 14

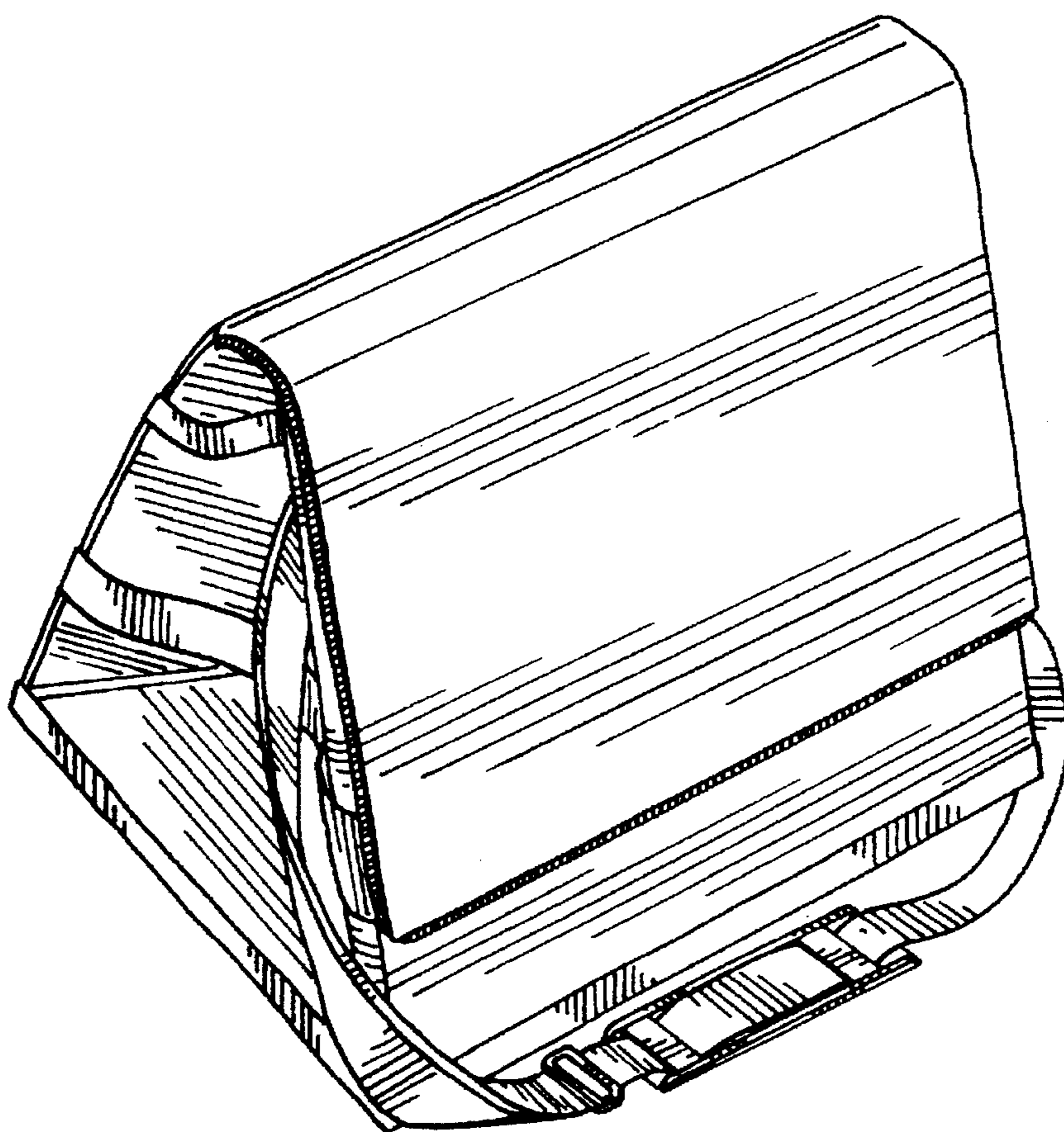


FIG. 15

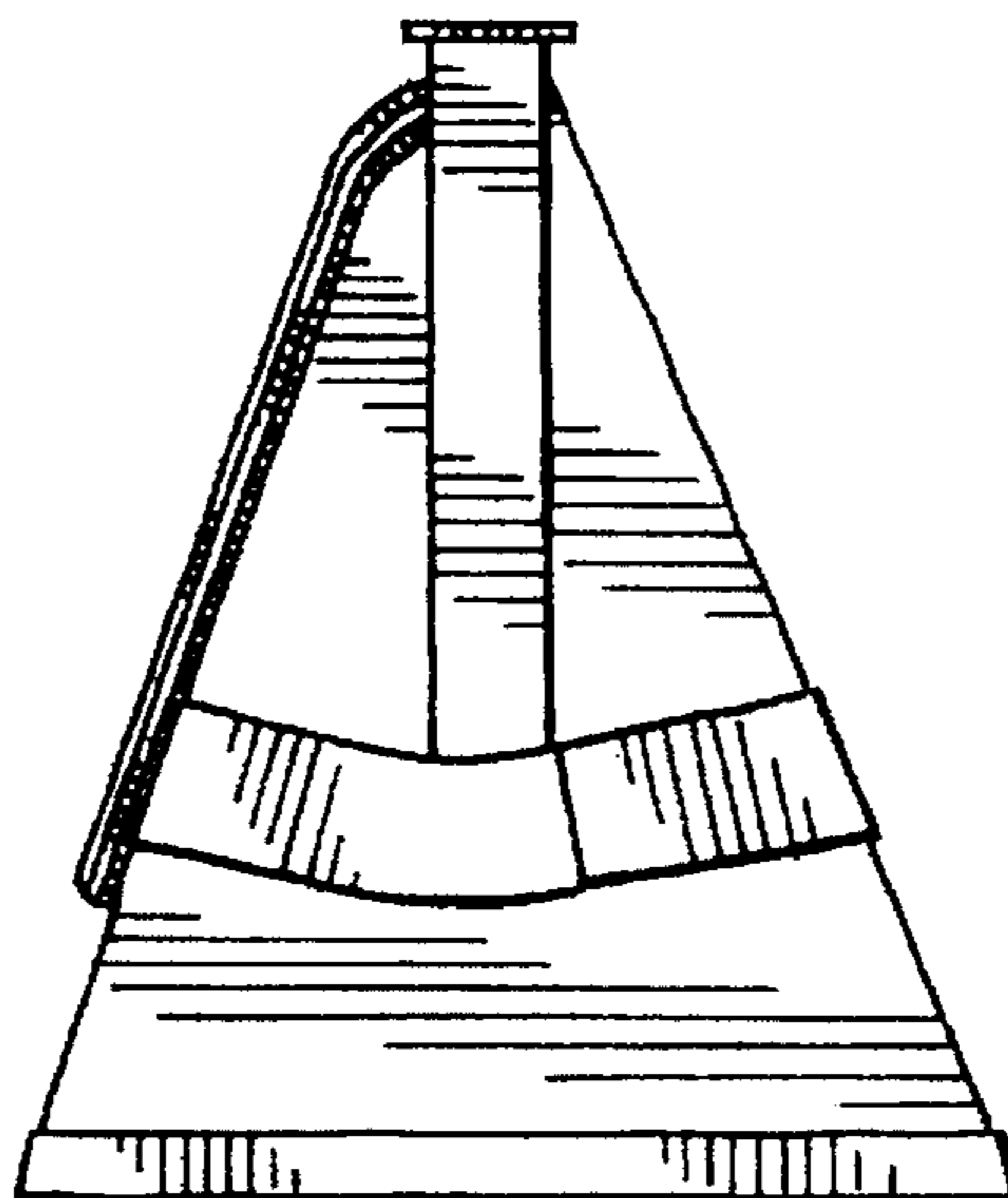


FIG. 16

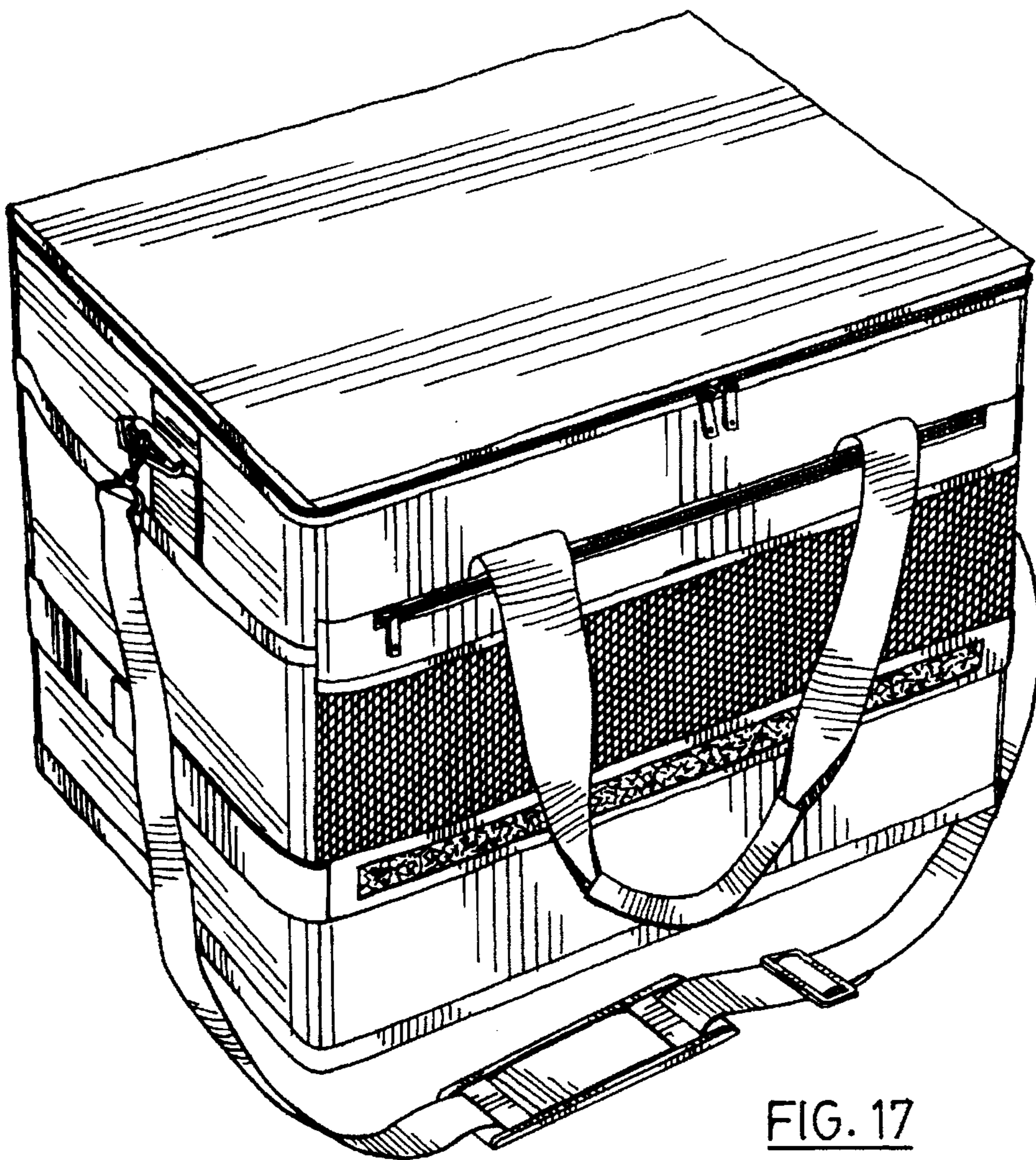


FIG. 17

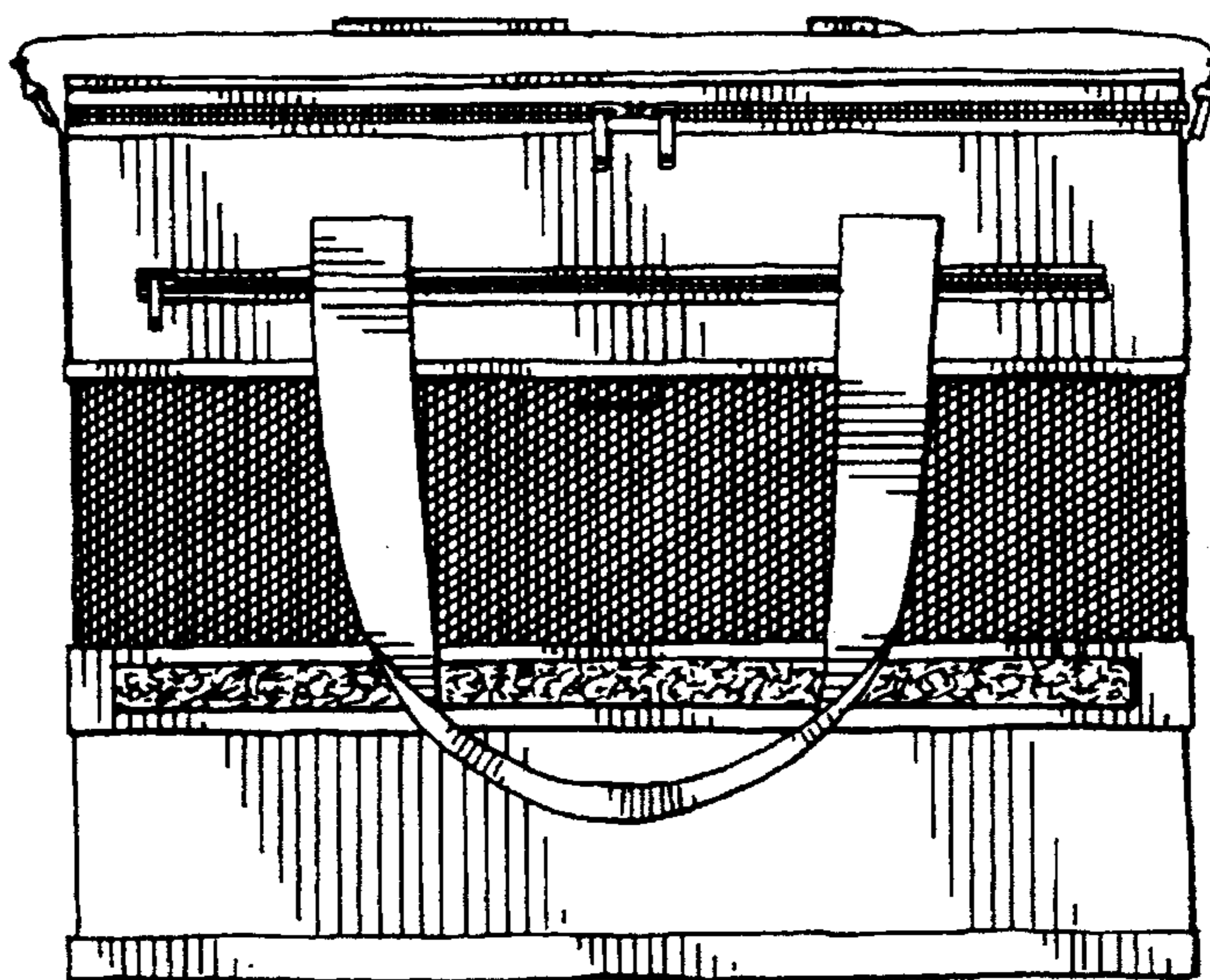


FIG. 18

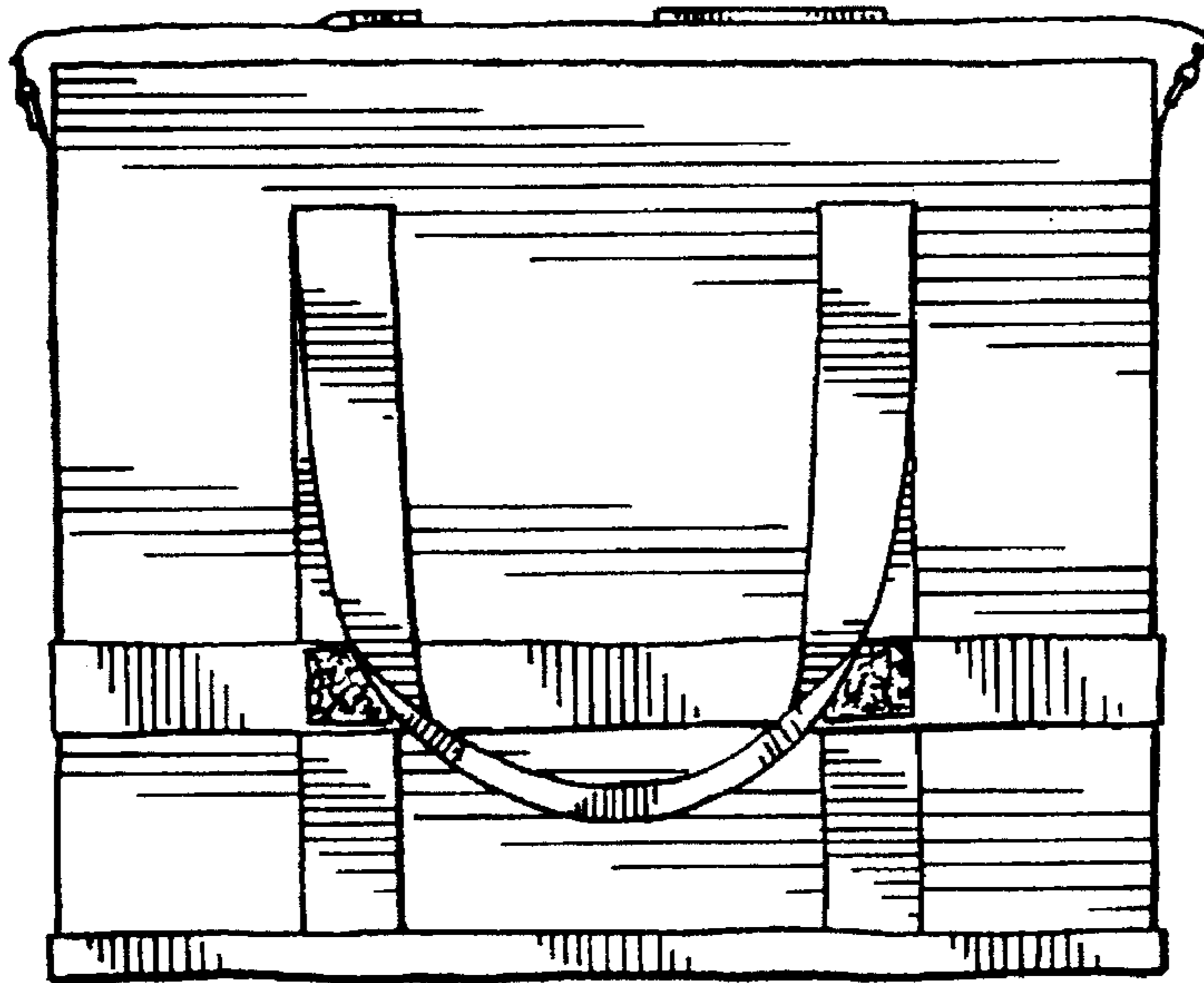


FIG. 19

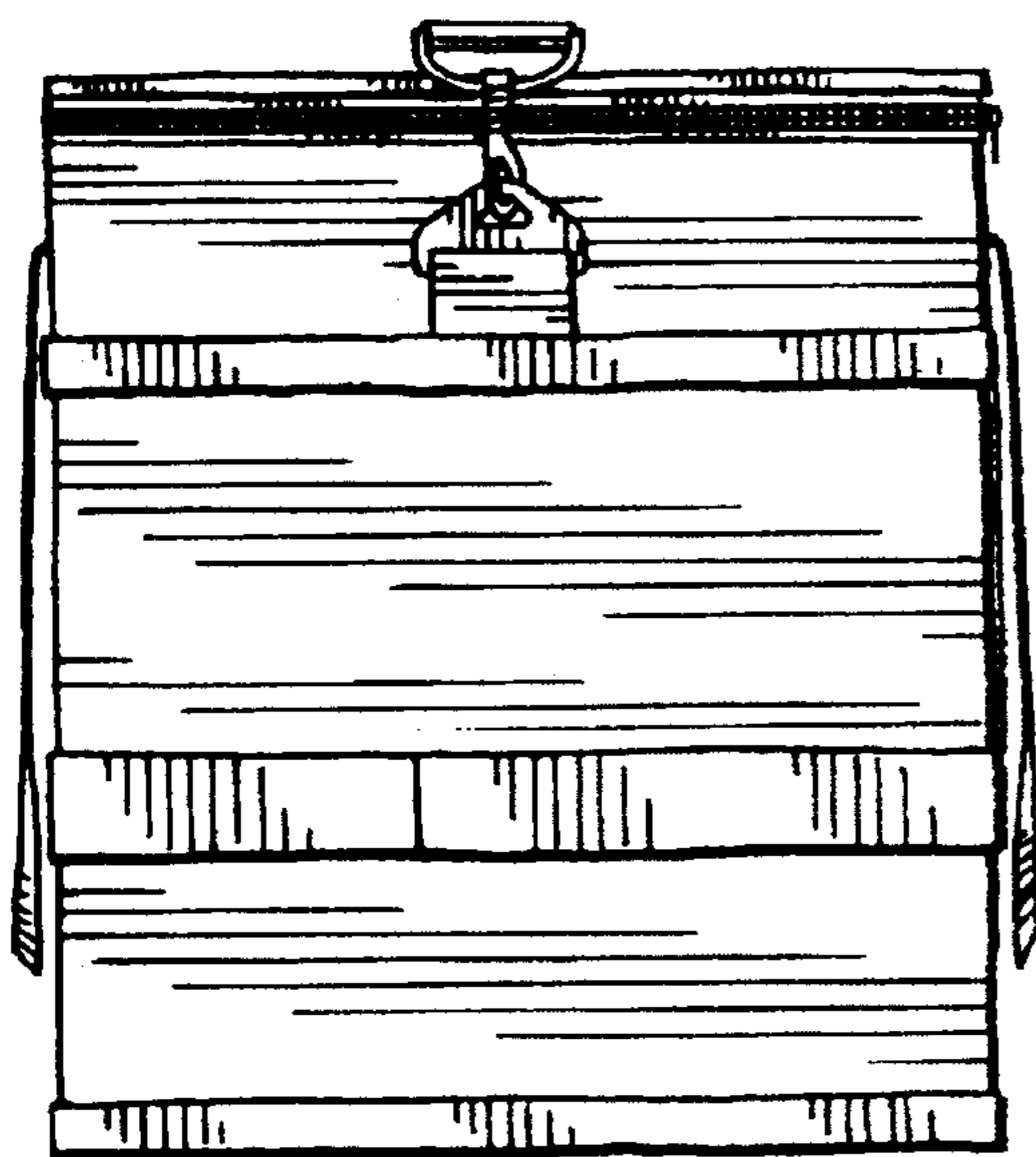


FIG. 20

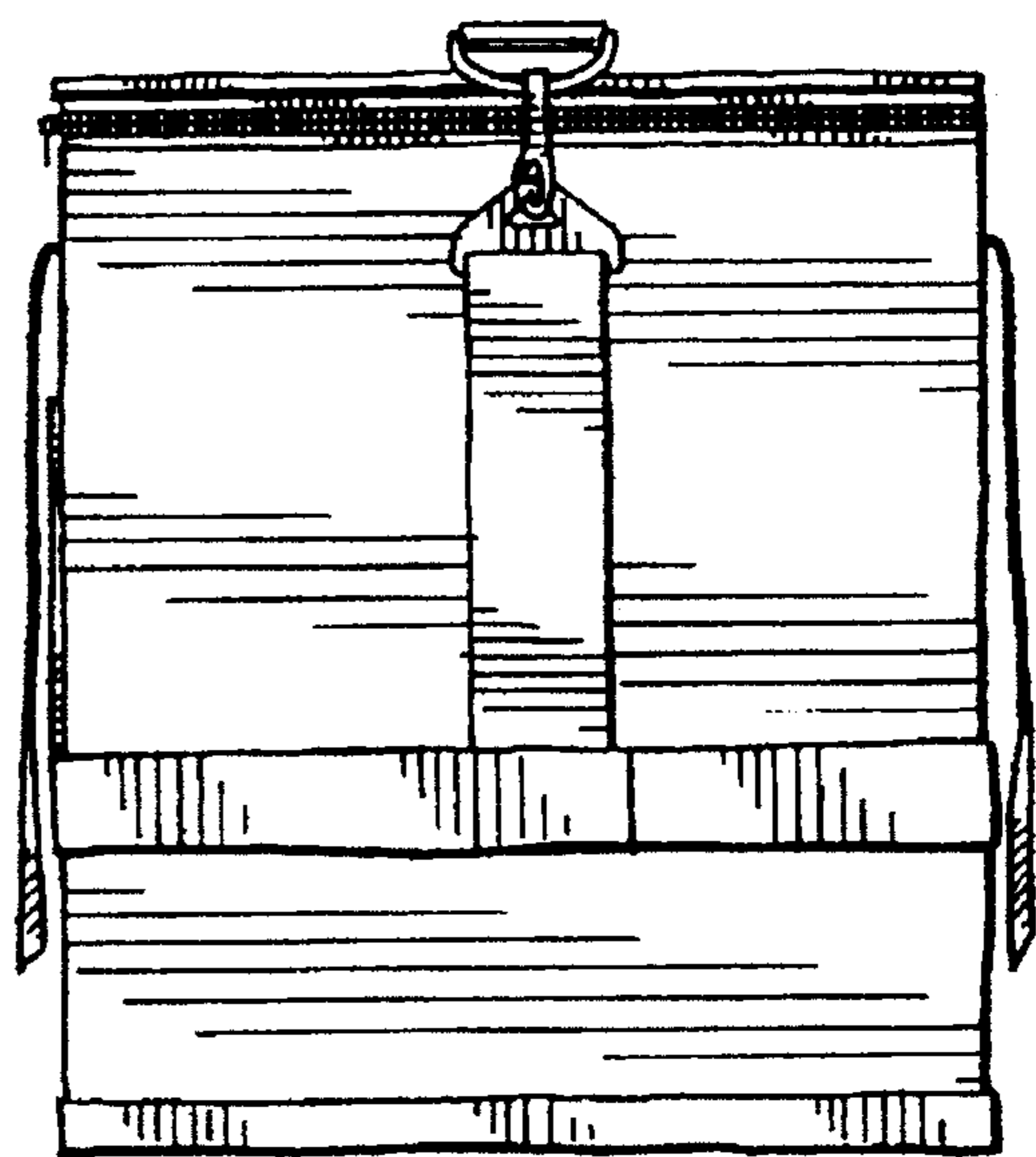


FIG. 21

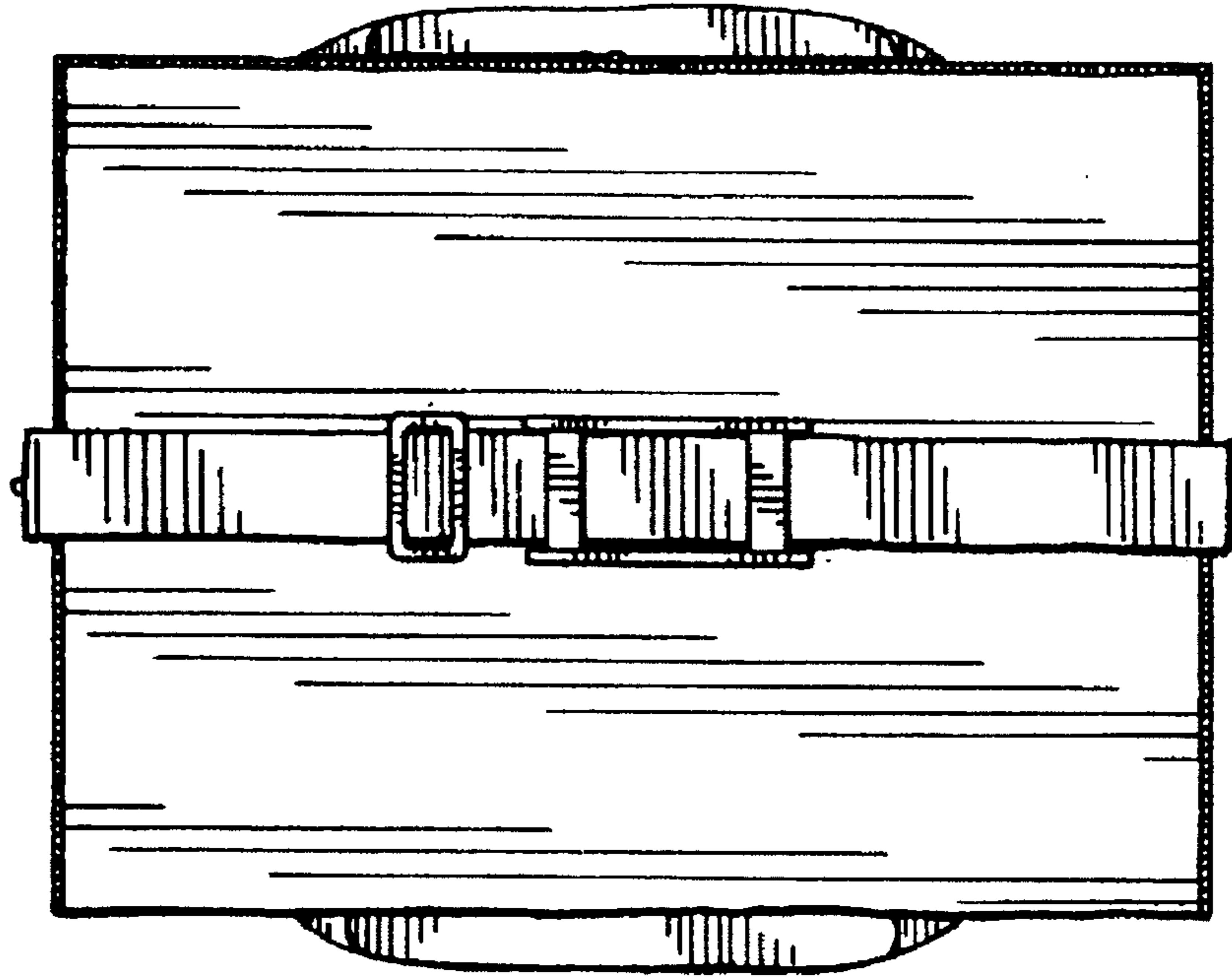


FIG. 22

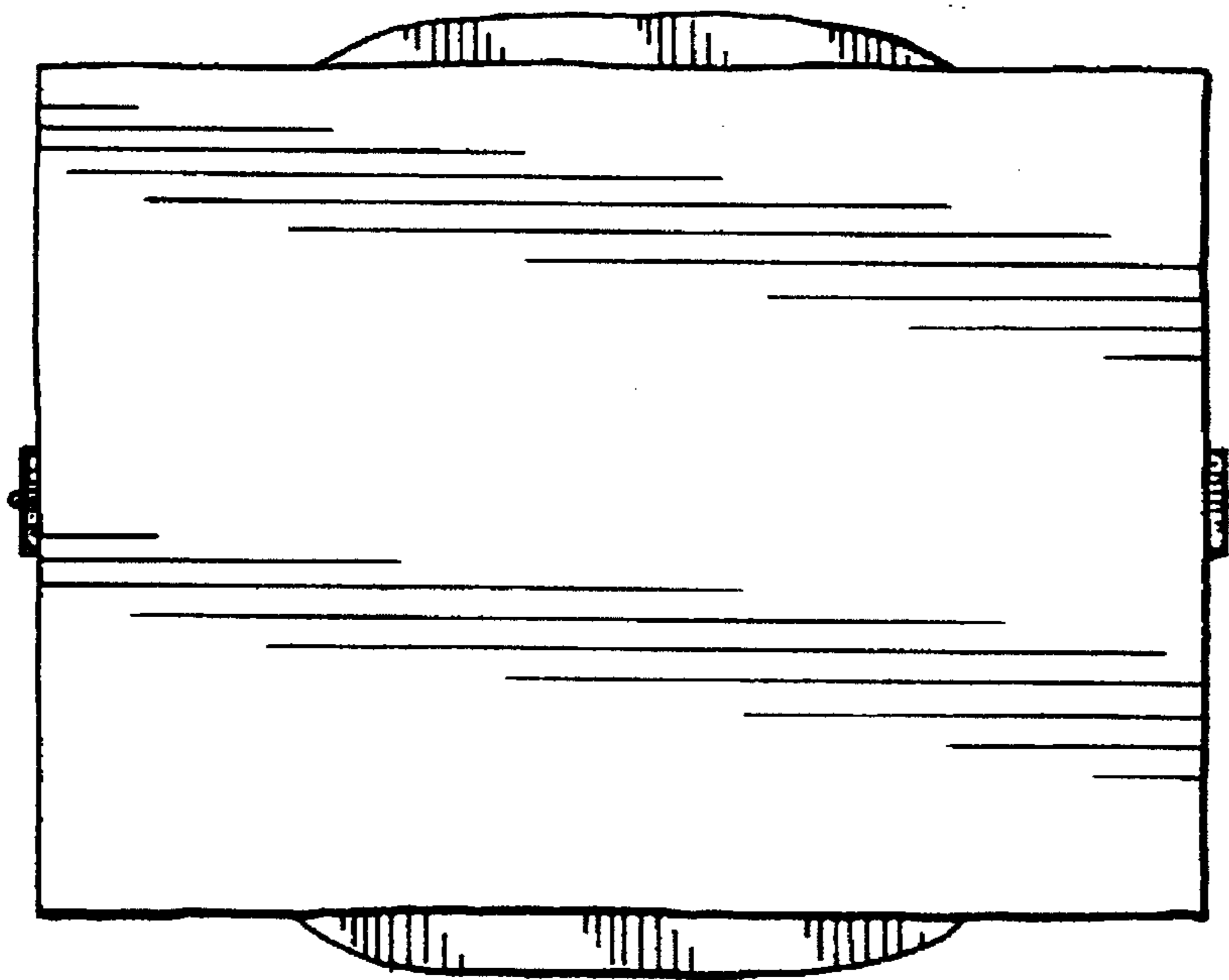


FIG. 23

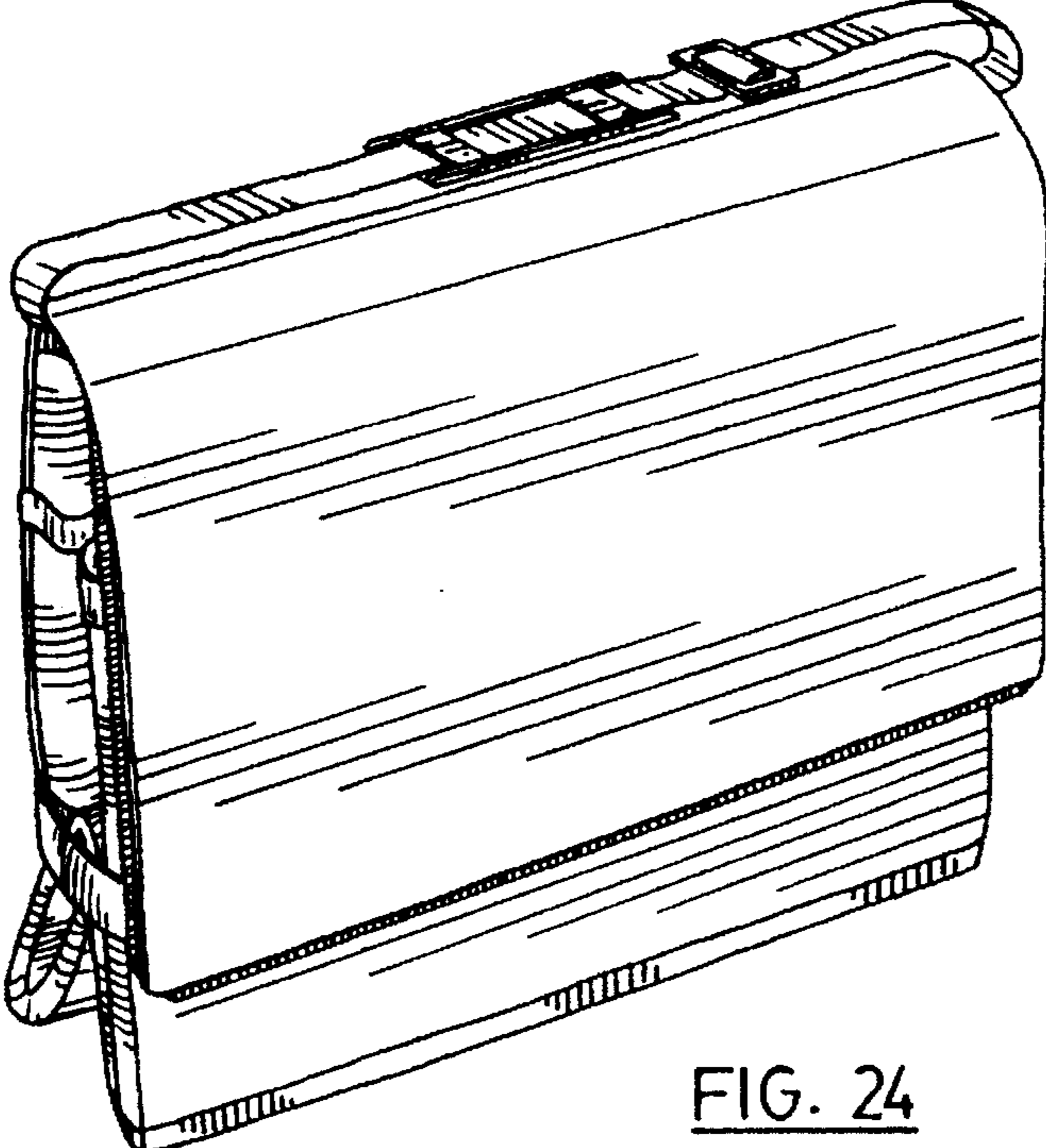


FIG. 24

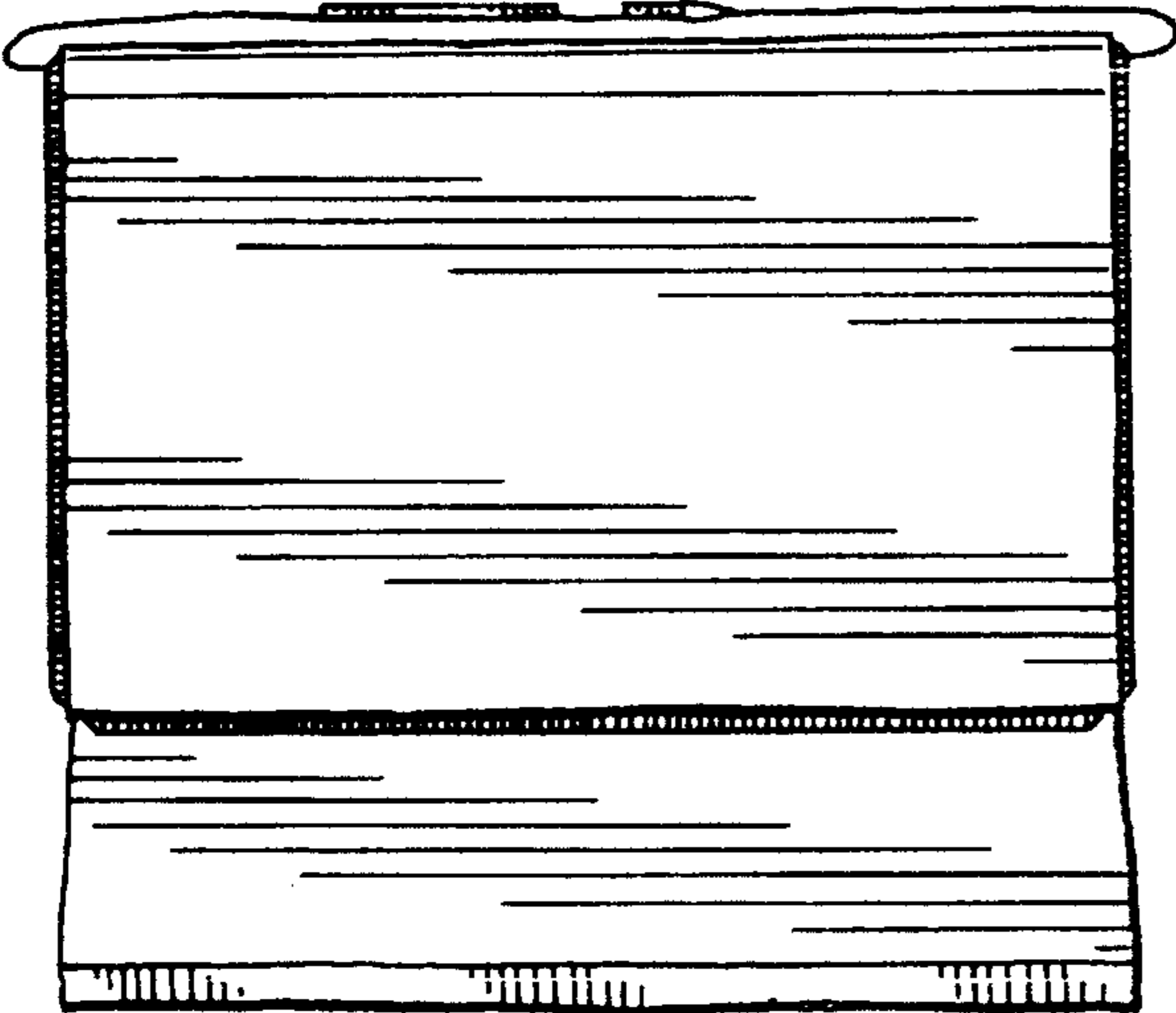


FIG. 25

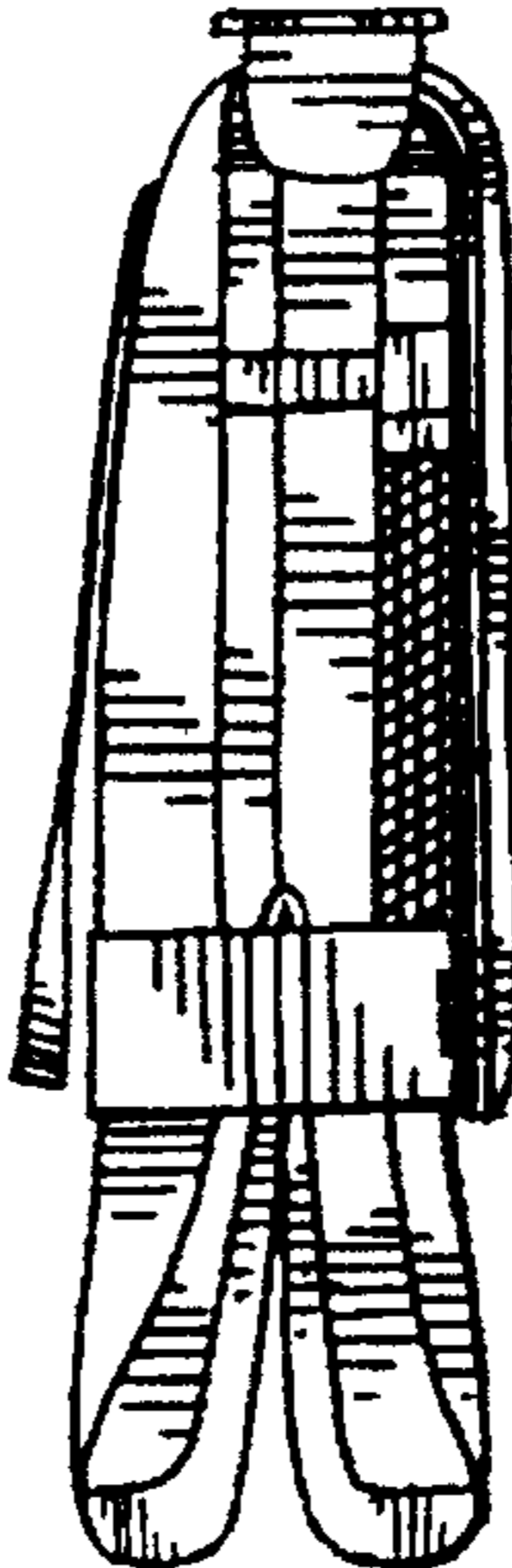


FIG. 26

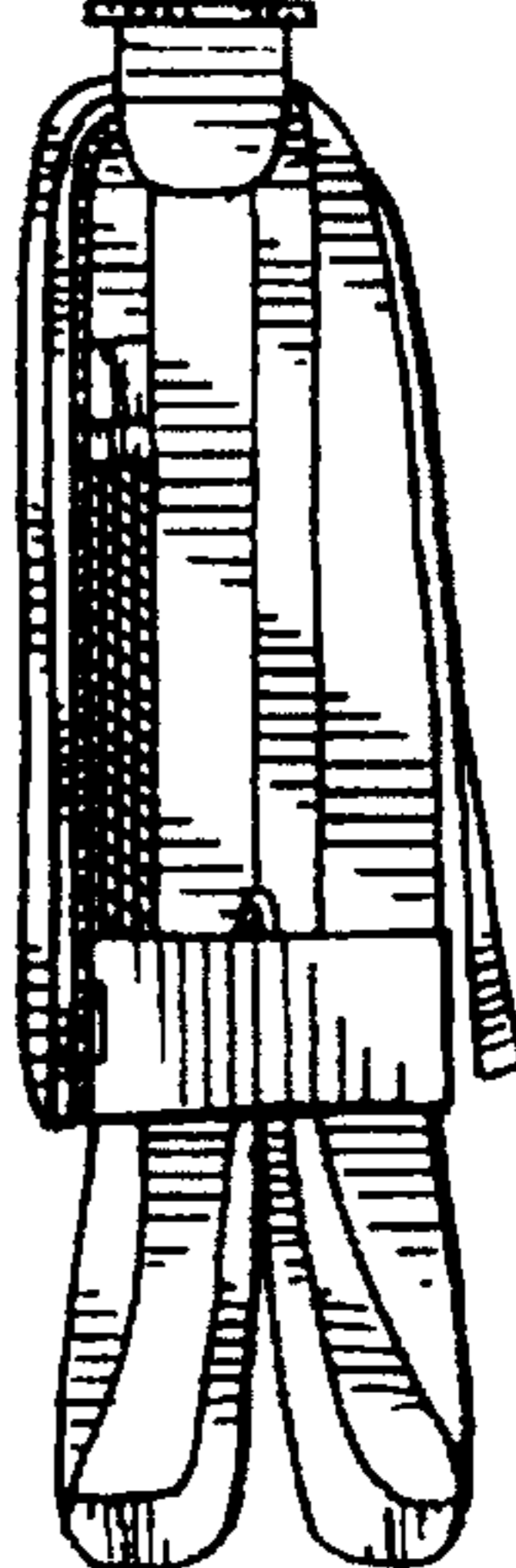


FIG. 27

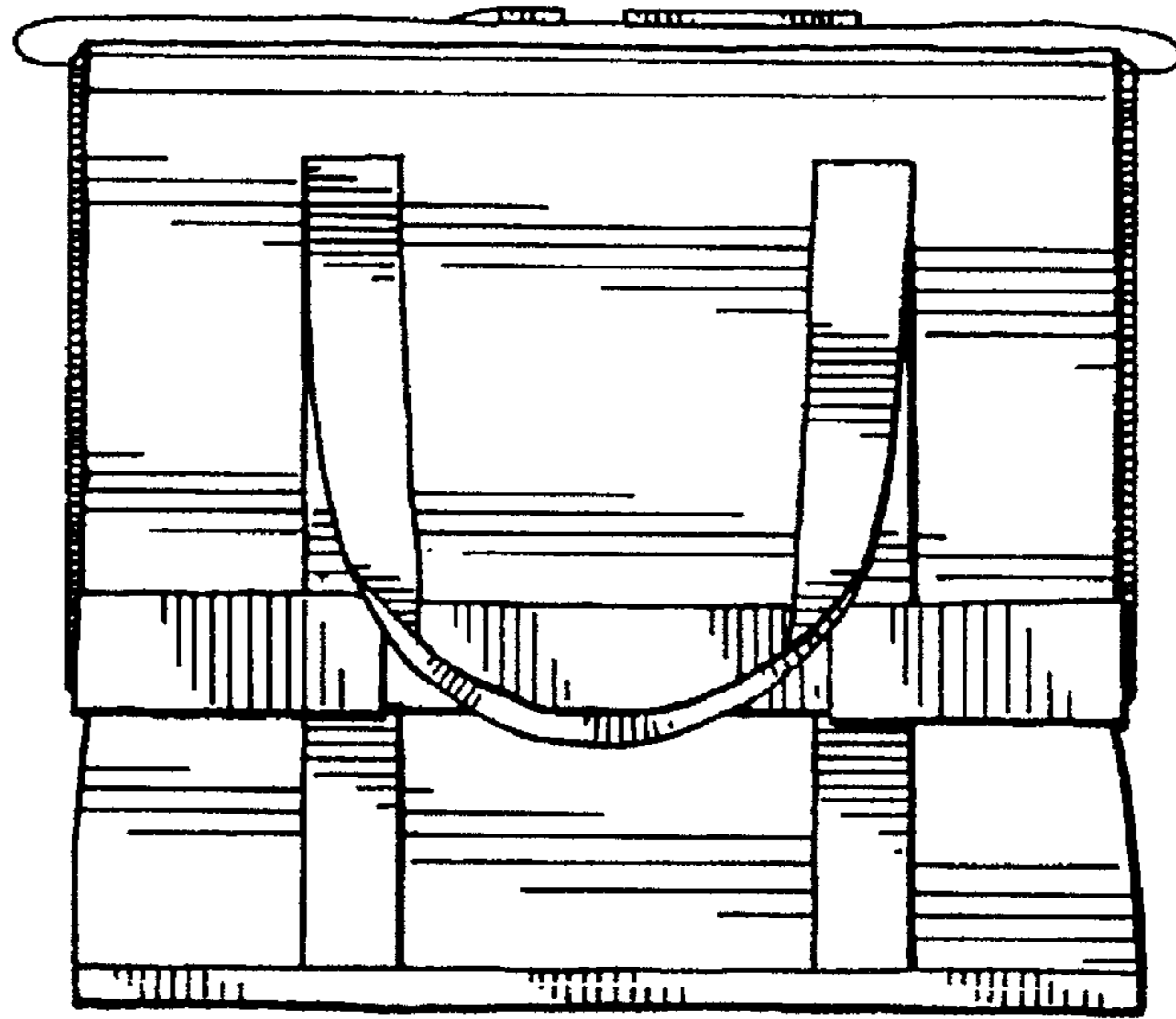


FIG. 28

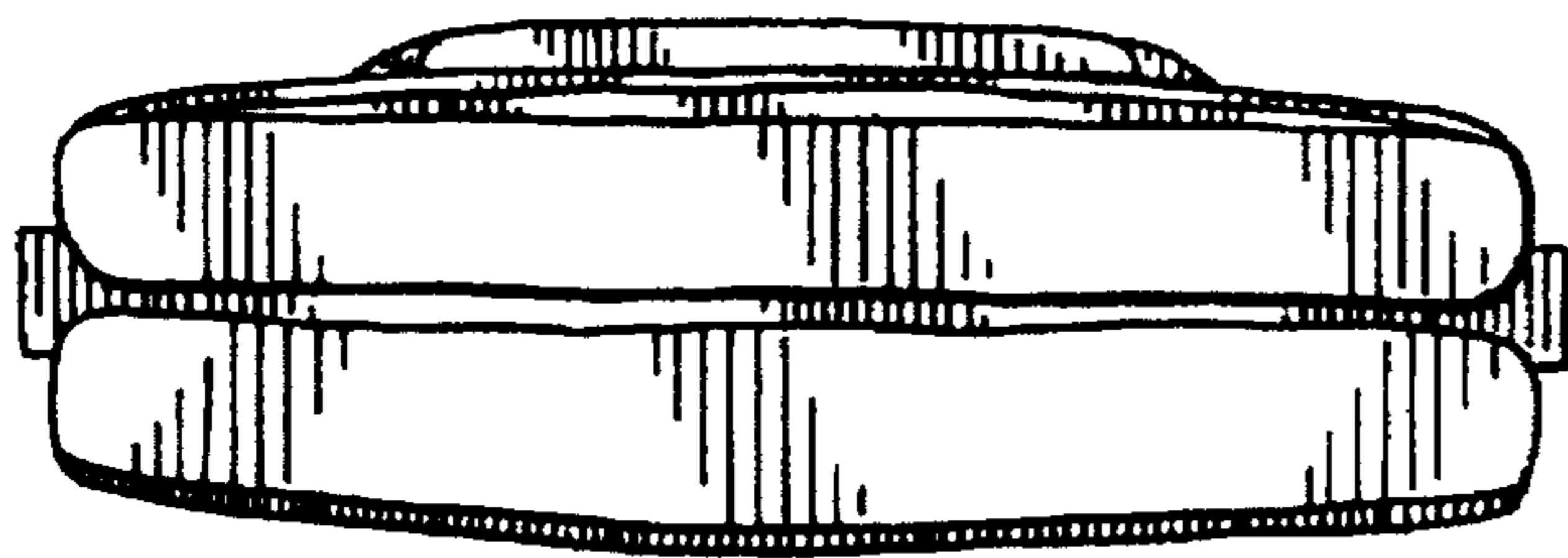


FIG. 29

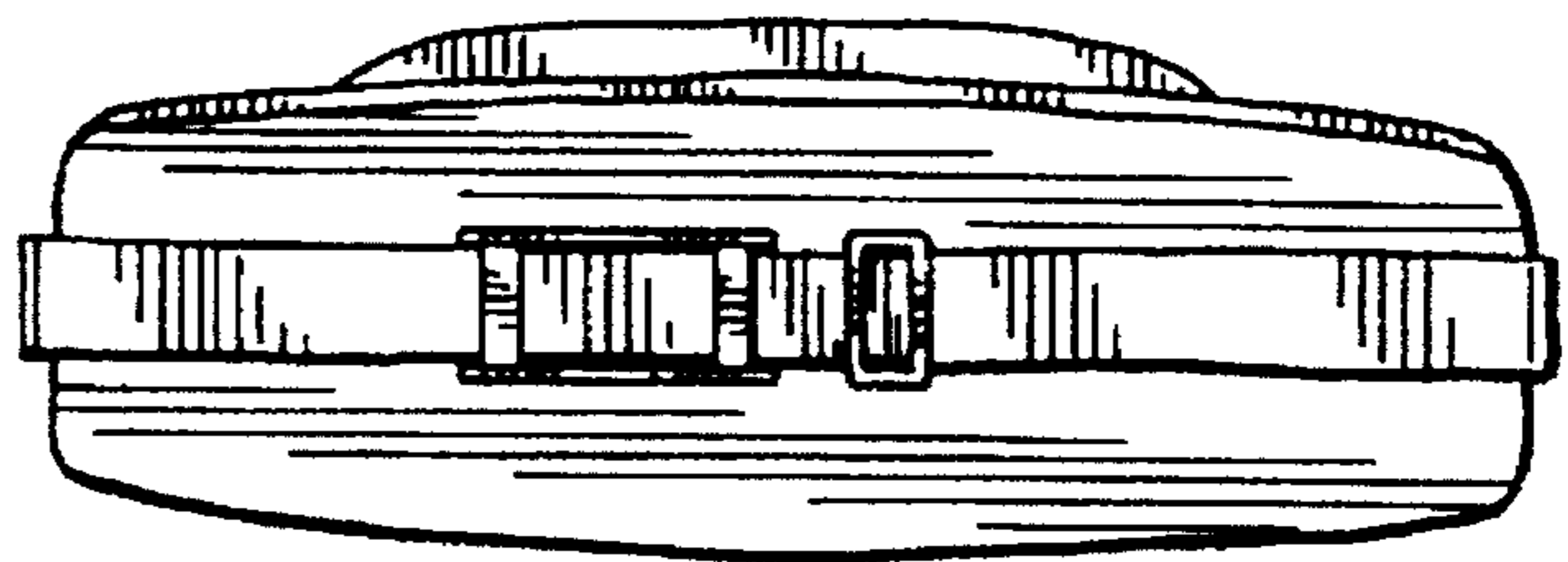


FIG. 30

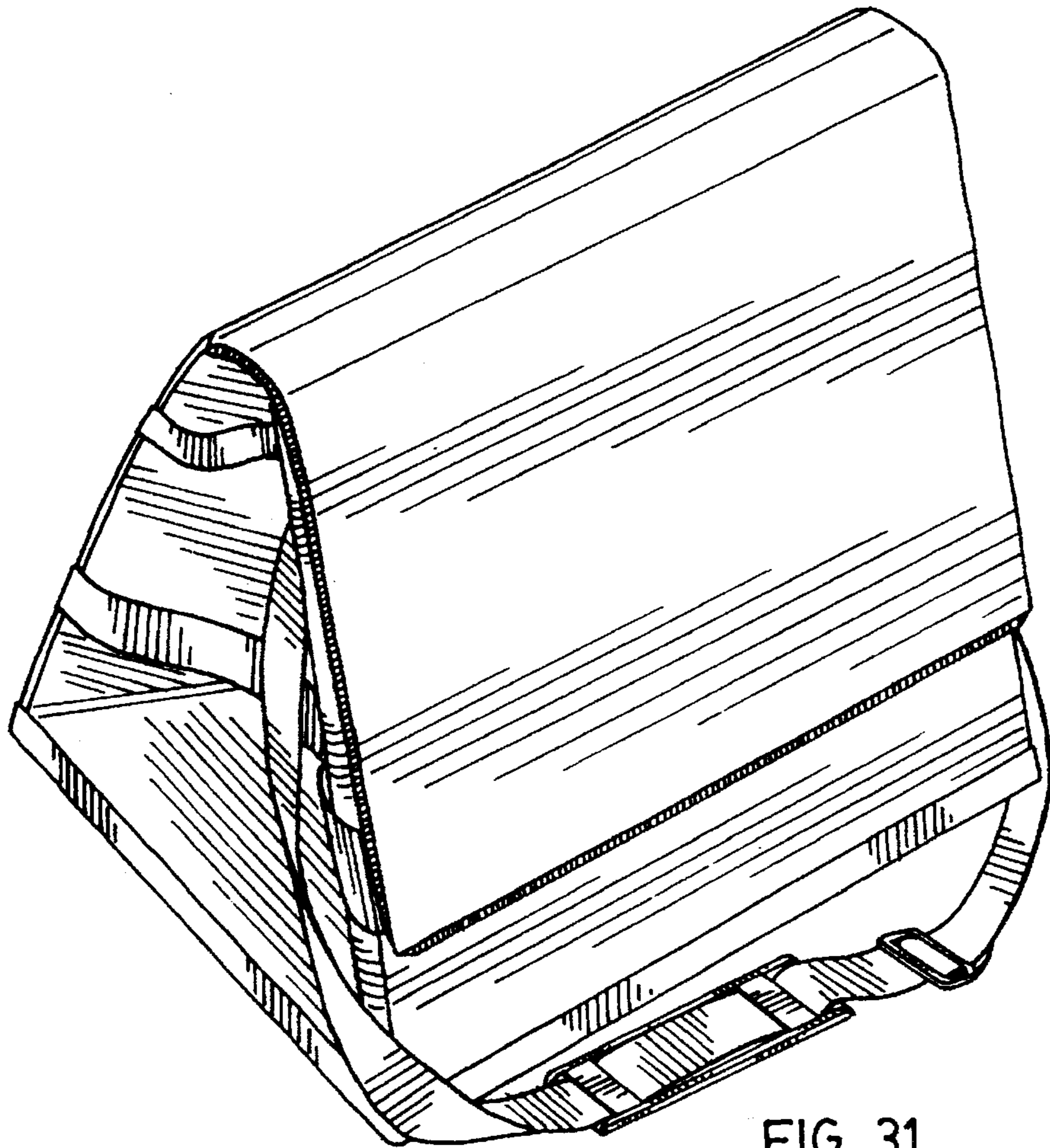


FIG. 31

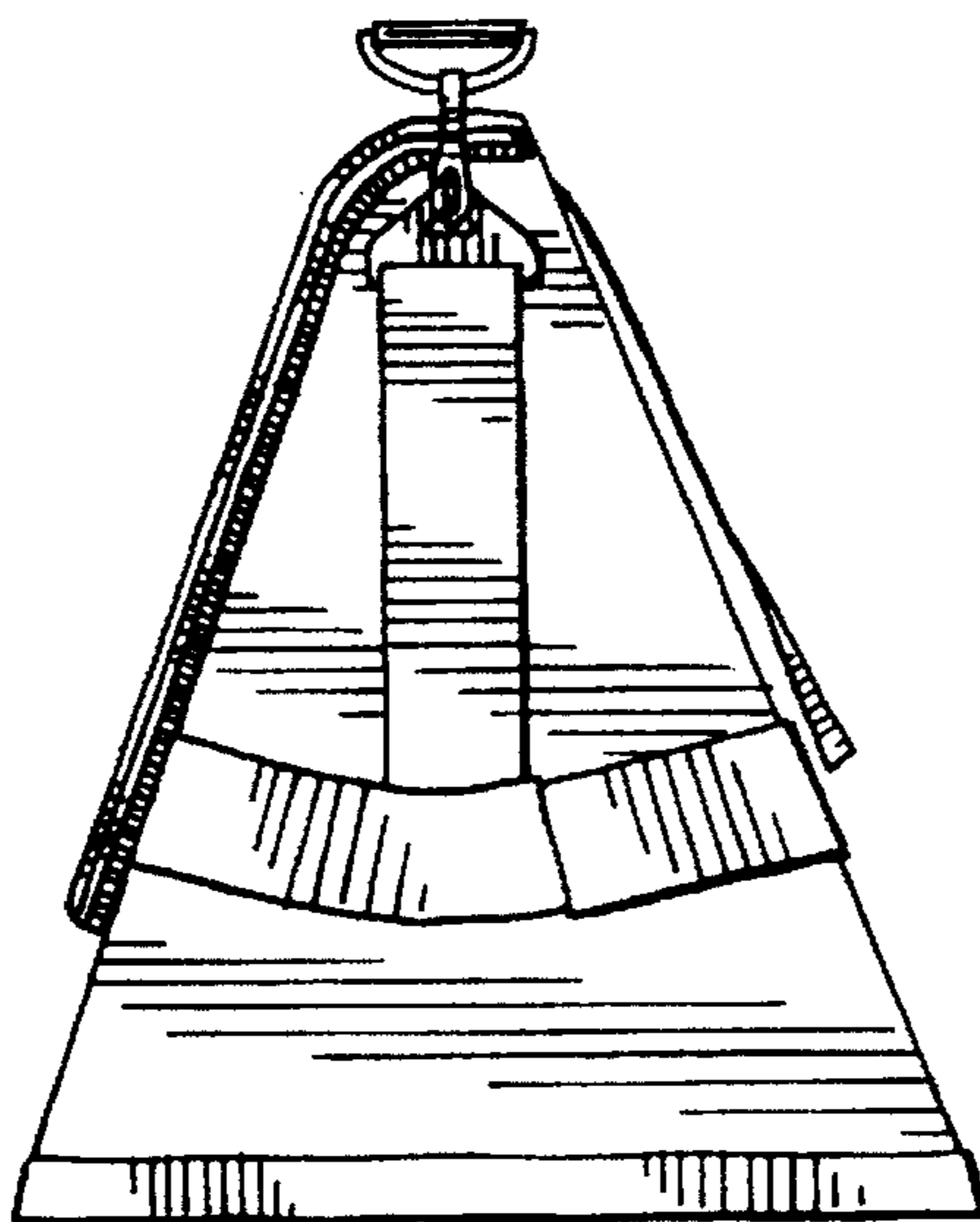


FIG. 32